



US00D851290S

(12) **United States Design Patent** (10) **Patent No.:** **US D851,290 S**
Armitage et al. (45) **Date of Patent:** **** Jun. 11, 2019**

(54) **LIGHT PENDANT**

(71) Applicant: **Tala Energy Limited**, London (GB)

(72) Inventors: **Joseph Andrew Armitage**, London (GB); **James Rhodri Pleass**, London (GB); **Joshua James Gould Ward**, London (GB)

(73) Assignee: **Tala Energy Limited** (GB)

(**) Term: **15 Years**

(21) Appl. No.: **29/633,279**

(22) Filed: **Jan. 12, 2018**

Related U.S. Application Data

(63) Continuation of application No. 29/625,012, filed on Nov. 6, 2017.

(30) **Foreign Application Priority Data**

May 4, 2017 (EM) 003932938-0001
May 4, 2017 (EM) 003932938-0002
May 4, 2017 (EM) 003932938-0003
May 4, 2017 (EM) 003932938-0004
May 4, 2017 (EM) 003932938-0005
May 4, 2017 (EM) 003932938-0006
May 4, 2017 (EM) 003932938-0007
May 4, 2017 (EM) 003932938-0008
May 4, 2017 (EM) 003932938-0009
May 4, 2017 (EM) 003932938-0010
May 4, 2017 (EM) 003932938-0011

(51) **LOC (11) Cl.** **26-04**

(52) **U.S. Cl.**
USPC **D26/2**

(58) **Field of Classification Search**

USPC D26/1-4
CPC H01R 5/00; H01R 13/46; H01R 13/514;
H01R 31/048; H01R 31/02; H01J 5/00;
H01J 5/16; H01J 15/00; H01J 5/48; H01J
5/50; H01J 19/54; F21V 5/00; F21V
13/00; F21V 29/004; F21K 9/13; F21K
9/135; F21K 9/1375

See application file for complete search history.

(56) **References Cited**

U.S. PATENT DOCUMENTS

D542,943 S * 5/2007 Wang D26/2
D546,980 S * 7/2007 Lo D26/2
D549,854 S * 8/2007 Takahashi D26/2
D566,300 S * 4/2008 Lo D26/2

* cited by examiner

Primary Examiner — Marcus A Jackson

(74) *Attorney, Agent, or Firm* — Saidman DesignLaw Group, LLC

(57) **CLAIM**

The ornamental design for a light pendant, as shown and described.

DESCRIPTION

FIG. 1 is a perspective view of a light pendant showing our new design;

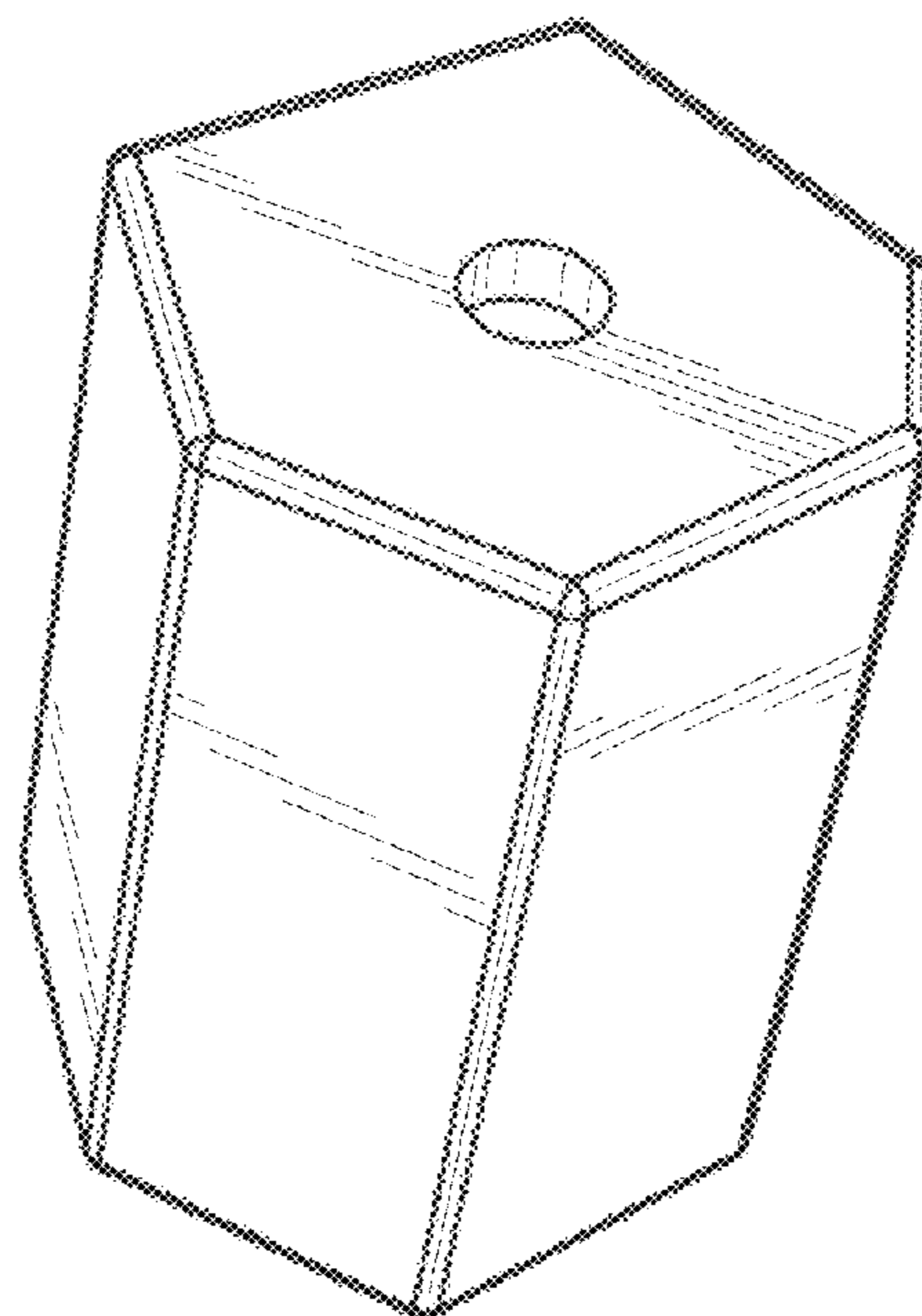
FIG. 2 is a front view thereof;

FIG. 3 is a side view thereof; and,

FIG. 4 is a top view thereof.

The drawings include surface shading which represents only contour.

1 Claim, 2 Drawing Sheets



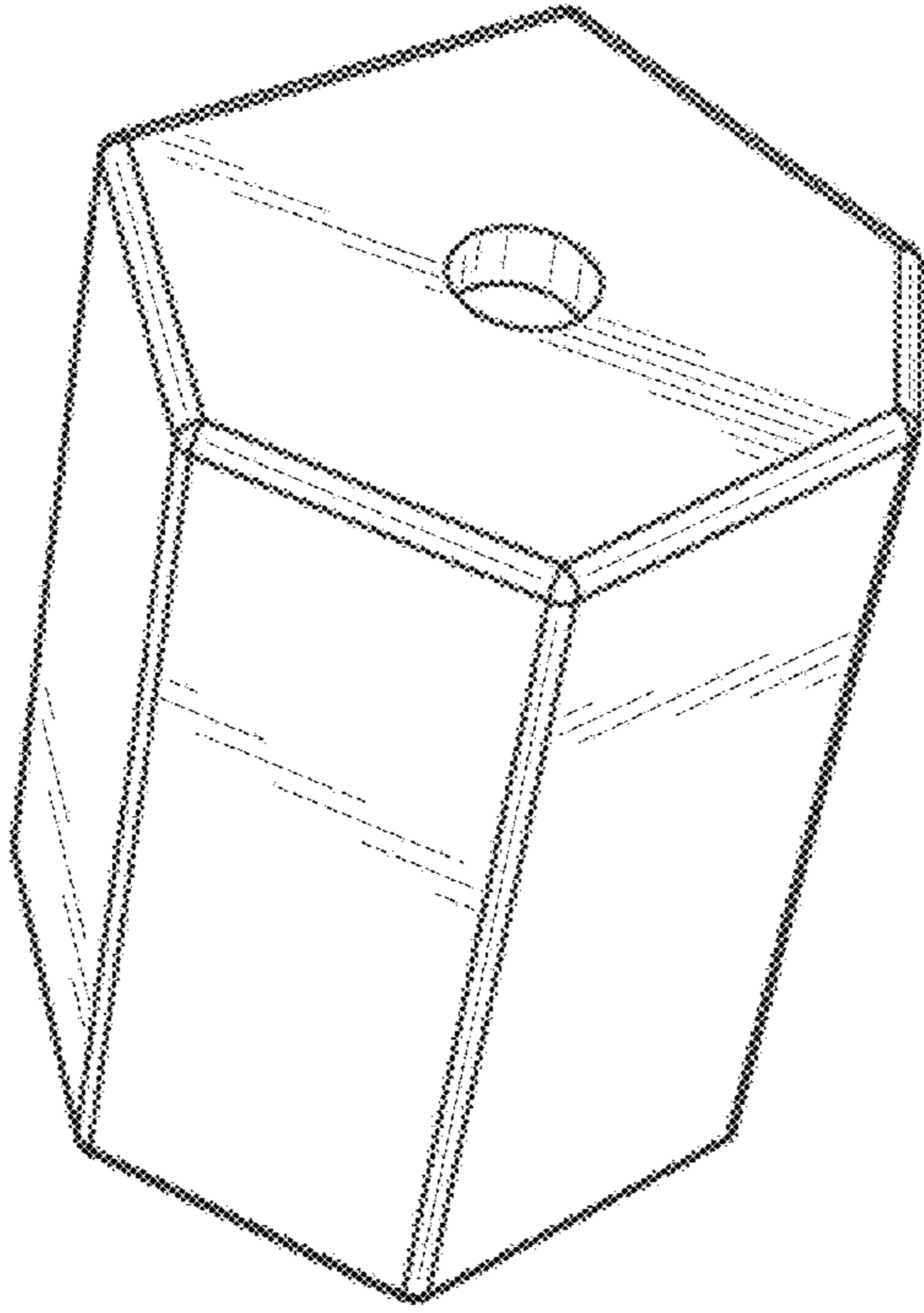


Fig. 1

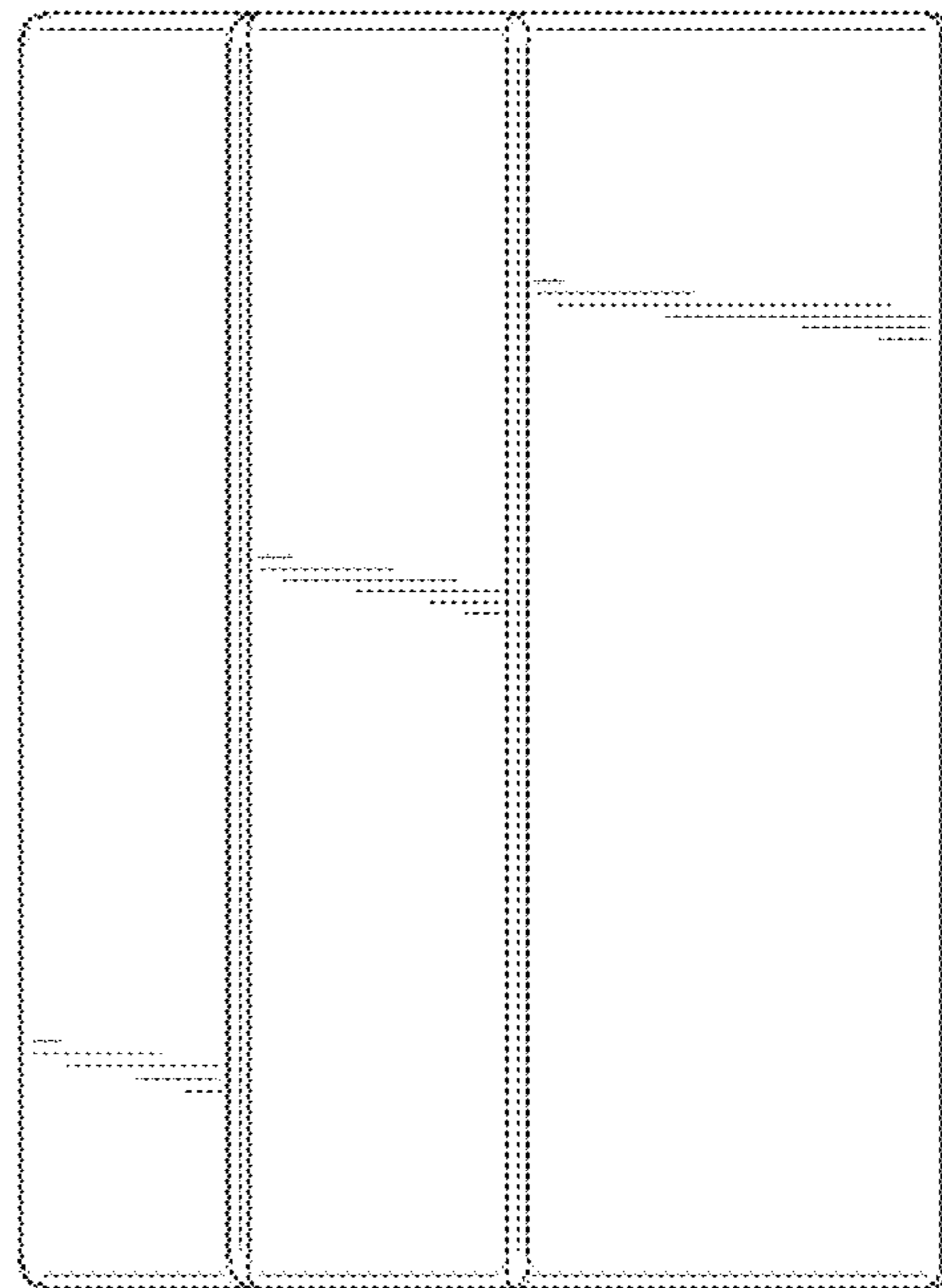


Fig. 2

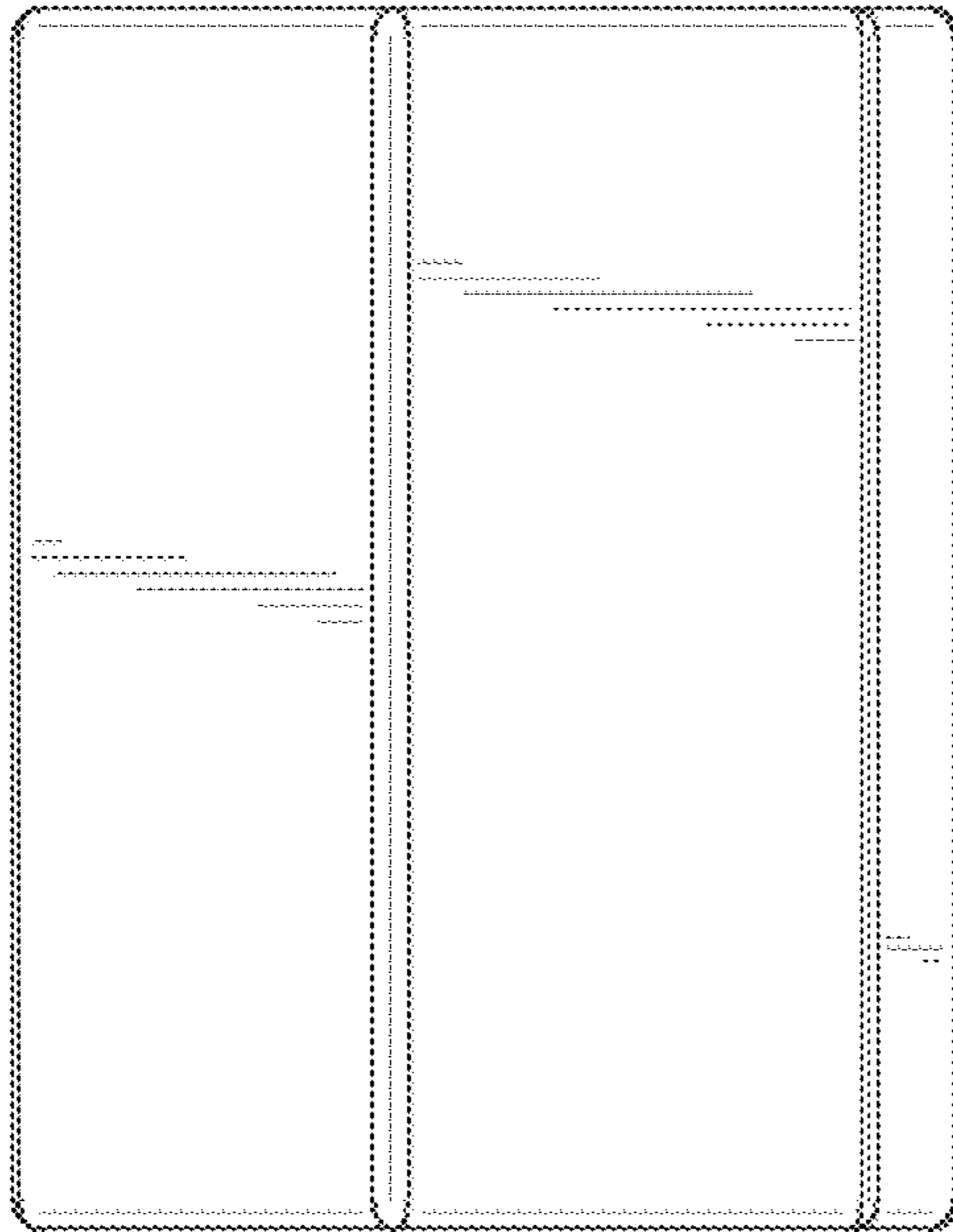


Fig. 3

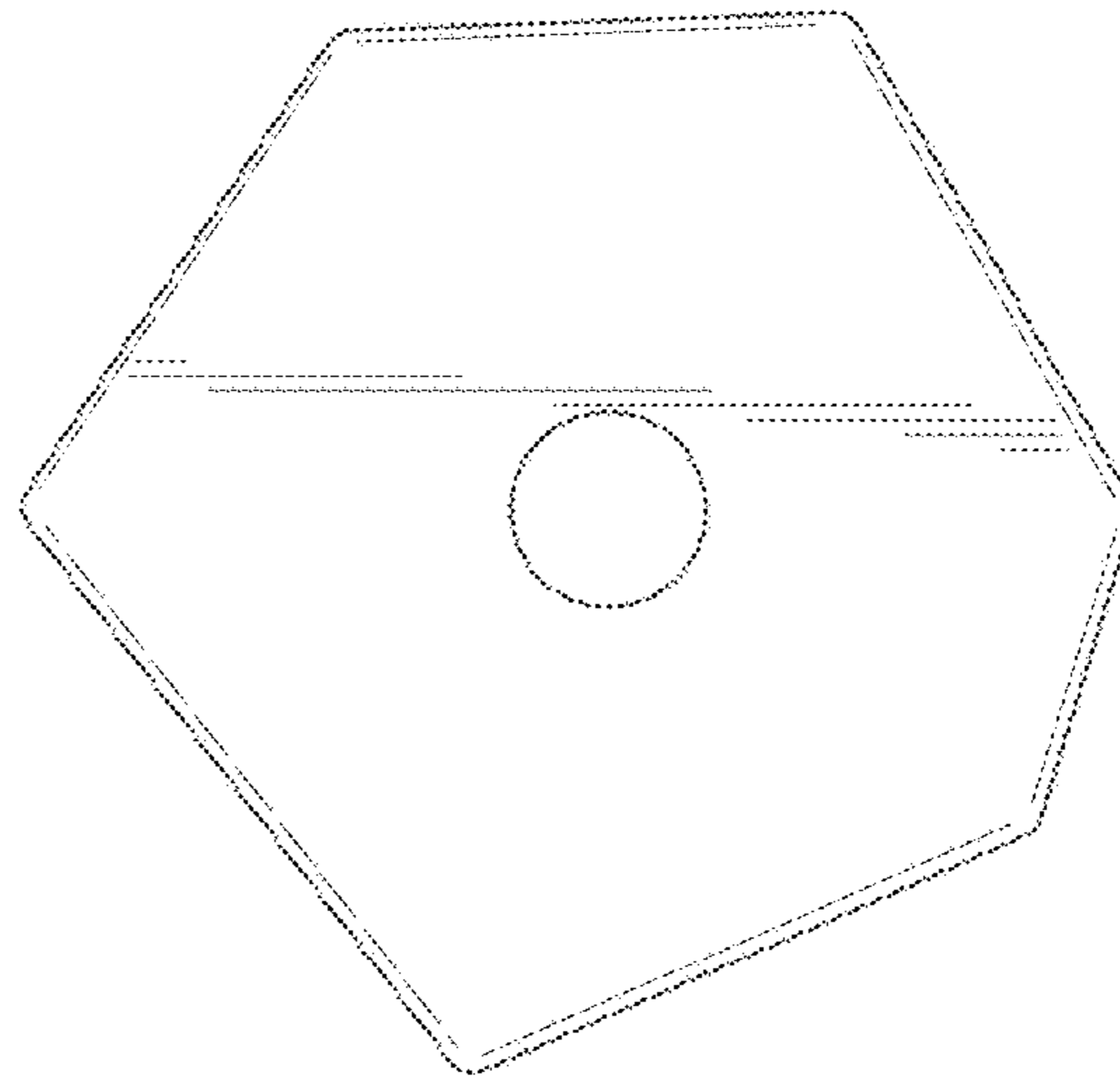


Fig. 4