



US00D851289S

(12) **United States Design Patent** (10) **Patent No.:** **US D851,289 S**  
**Armitage et al.** (45) **Date of Patent:** **\*\* Jun. 11, 2019**

(54) **LIGHT PENDANT**

(71) Applicant: **Tala Energy Limited**, London (GB)

(72) Inventors: **Joseph Andrew Armitage**, London (GB); **James Rhodri Pleass**, London (GB); **Joshua James Gould Ward**, London (GB)

(73) Assignee: **Tala Energy Limited** (GB)

(\*\*) Term: **15 Years**

(21) Appl. No.: **29/633,273**

(22) Filed: **Jan. 12, 2018**

**Related U.S. Application Data**

(63) Continuation of application No. 29/625,012, filed on Nov. 6, 2017.

(30) **Foreign Application Priority Data**

- May 4, 2017 (EM) ..... 003932938-0001
- May 4, 2017 (EM) ..... 003932938-0002
- May 4, 2017 (EM) ..... 003932938-0003
- May 4, 2017 (EM) ..... 003932938-0004
- May 4, 2017 (EM) ..... 003932938-0005
- May 4, 2017 (EM) ..... 003932938-0006
- May 4, 2017 (EM) ..... 003932938-0007
- May 4, 2017 (EM) ..... 003932938-0008
- May 4, 2017 (EM) ..... 003932938-0009
- May 4, 2017 (EM) ..... 003932938-0010
- May 4, 2017 (EM) ..... 003932938-0011

(51) **LOC (11) Cl.** ..... **26-02**

(52) **U.S. Cl.**  
USPC ..... **D26/2**

(58) **Field of Classification Search**  
USPC ..... D26/1-4

CPC ..... H01R 5/00; H01R 13/46; H01R 13/514; H01R 31/048; H01R 31/02; H01J 5/00; H01J 5/16; H01J 15/00; H01J 5/48; H01J 5/50; H01J 19/54; F21V 5/00; F21V 13/00; F21V 29/004; F21V 9/13; F21V 9/135; F21V 9/1375

See application file for complete search history.

(56) **References Cited**

U.S. PATENT DOCUMENTS

- D542,943 S \* 5/2007 Wang ..... D26/2
- D546,980 S \* 7/2007 Lo ..... D26/2
- D549,854 S \* 8/2007 Takahashi ..... D26/2
- D566,300 S \* 4/2008 Lo ..... D26/2

\* cited by examiner

*Primary Examiner* — Marcus A Jackson

(74) *Attorney, Agent, or Firm* — Saidman DesignLaw Group, LLC

(57) **CLAIM**

The ornamental design for a light pendant, as shown and described.

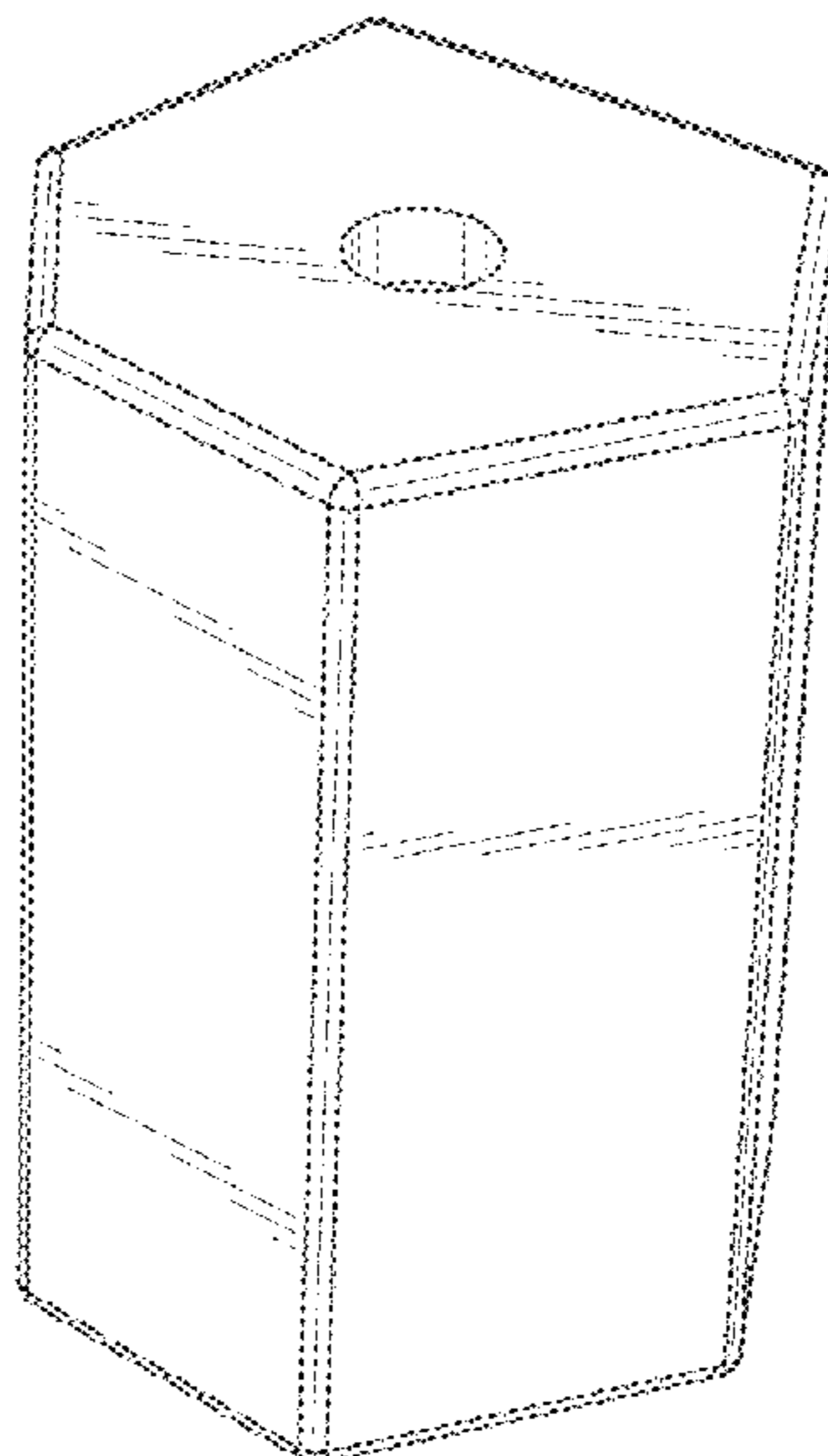
**DESCRIPTION**

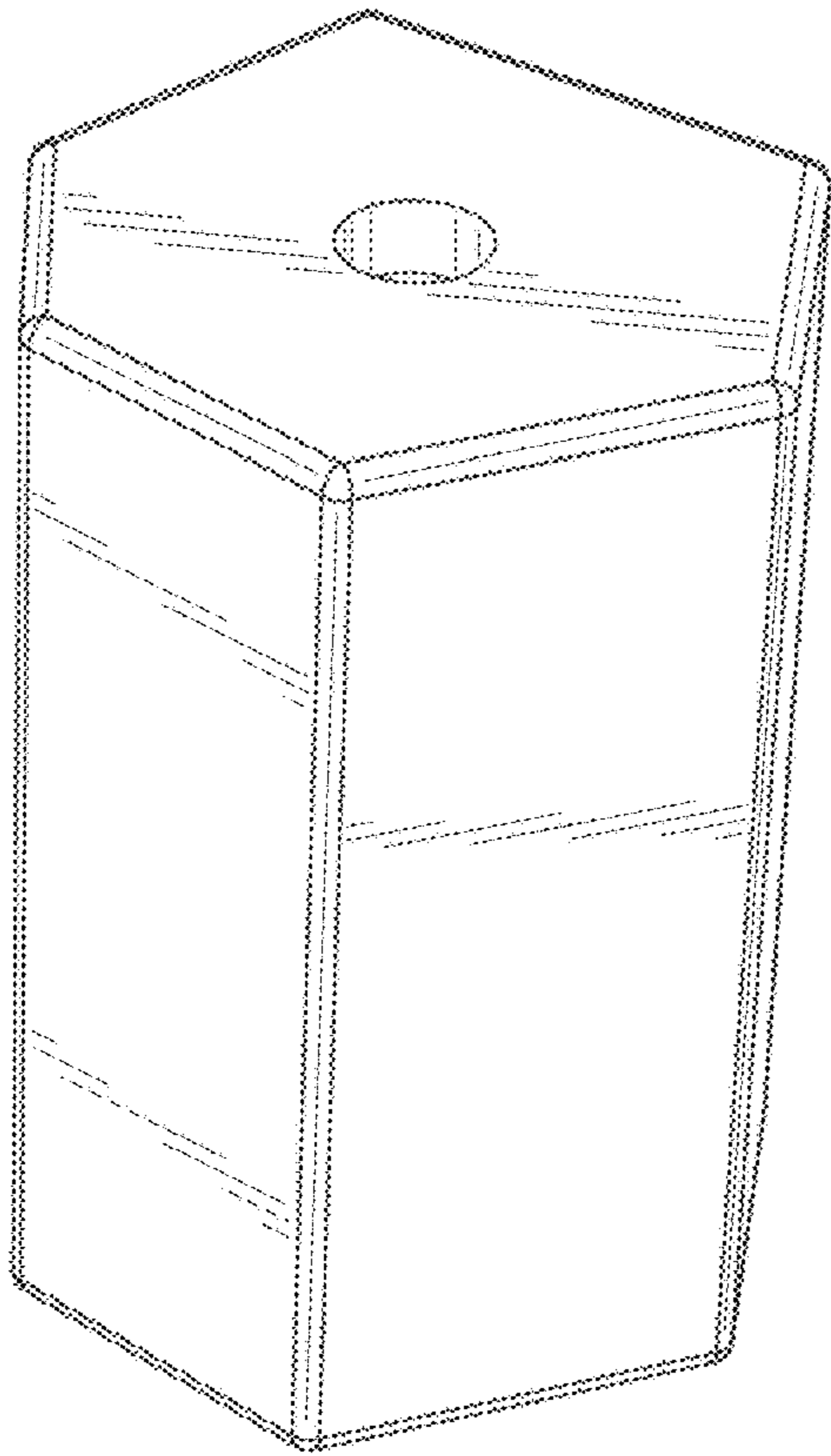
FIG. 1 is a perspective view of a light pendant showing our new design;  
FIG. 2 is a front view thereof;  
FIG. 3 is a side view thereof; and,  
FIG. 4 is a top view thereof.

The drawings include CAD lines that represent contour and not surface decoration.

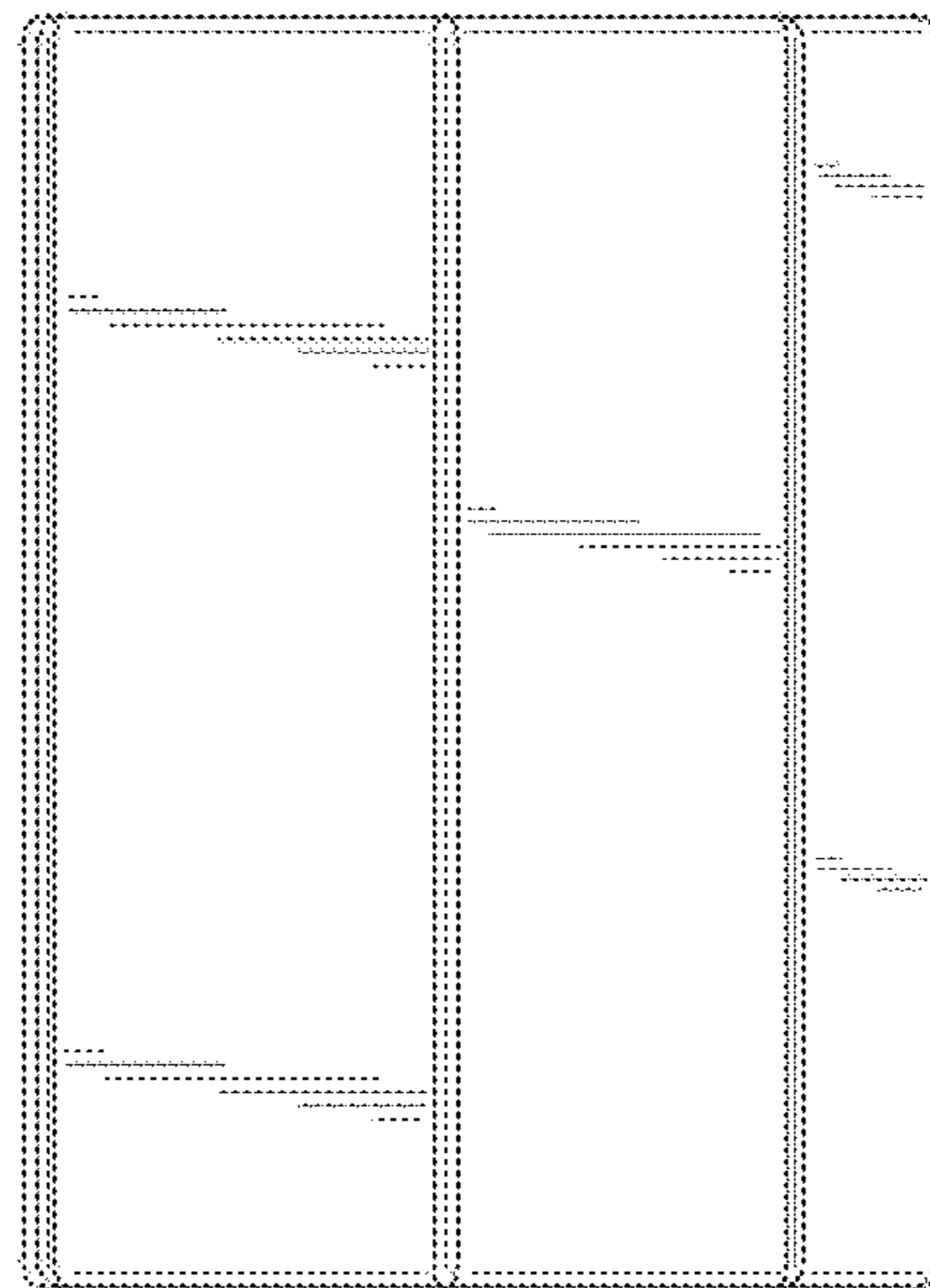
The drawings include surface shading which represents only contour.

**1 Claim, 2 Drawing Sheets**

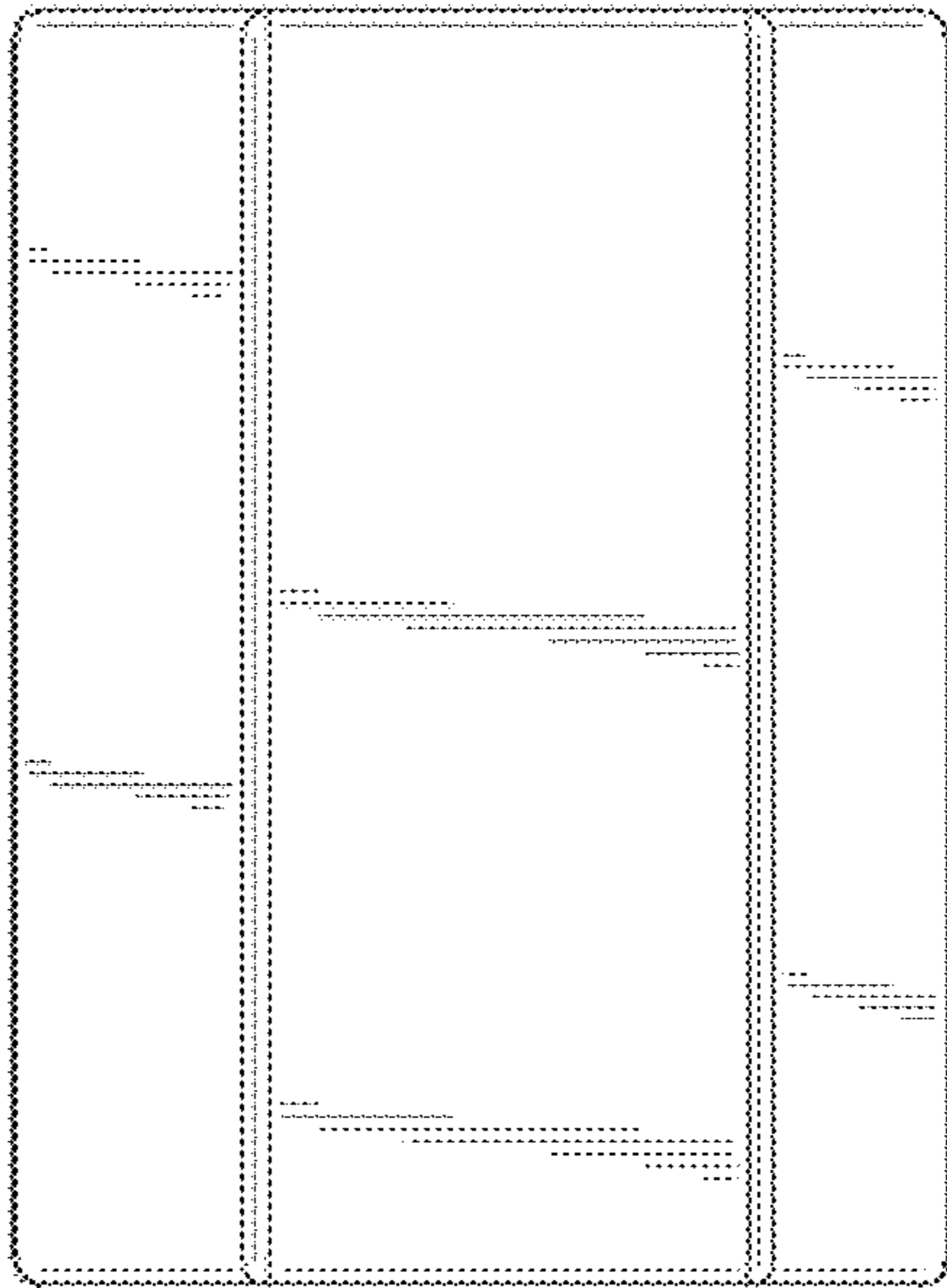




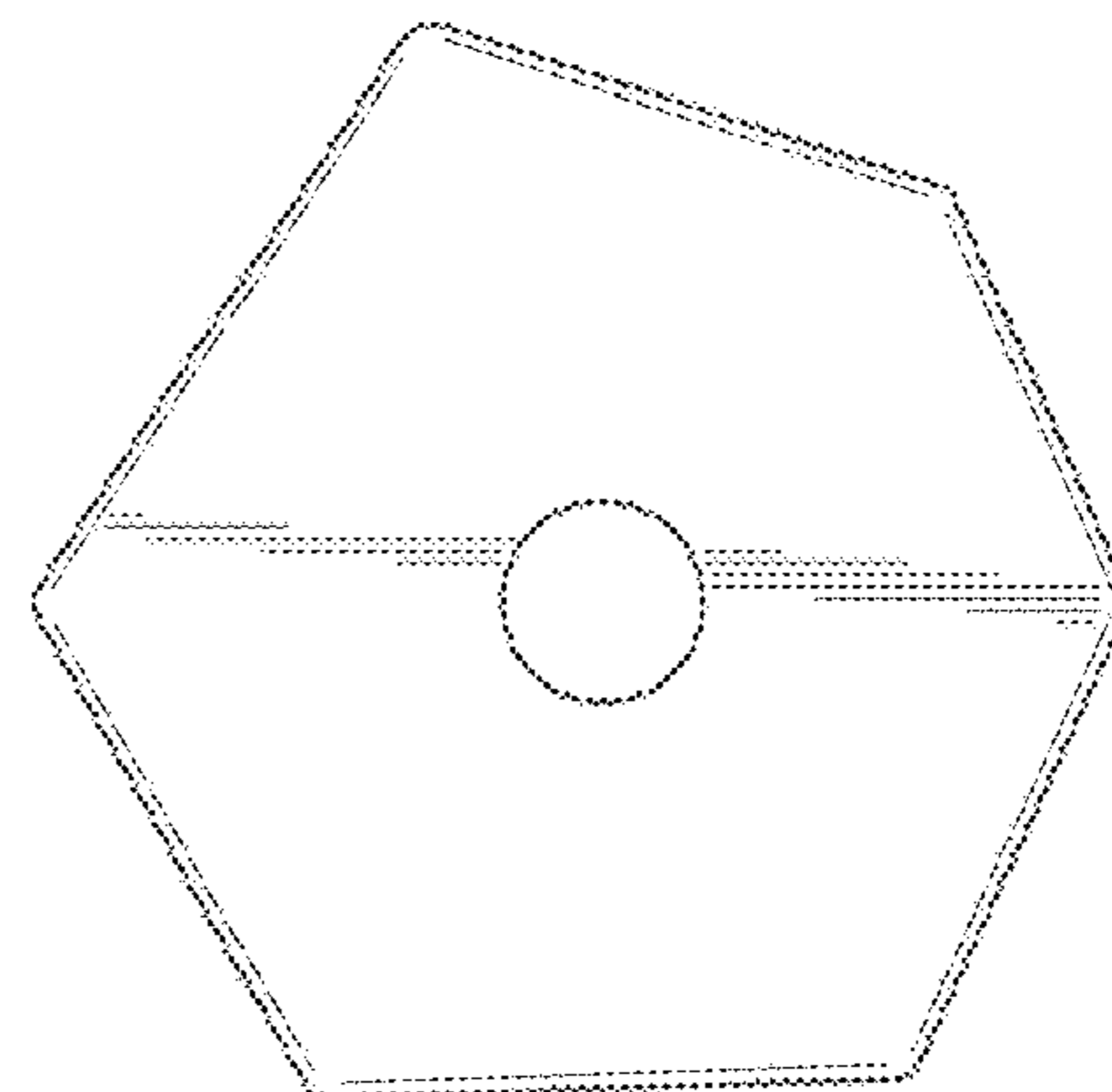
**Fig. 1**



**Fig. 2**



**Fig. 3**



**Fig. 4**