



US00D851286S

(12) **United States Design Patent**  
**Steadly**

(10) **Patent No.:** **US D851,286 S**  
(45) **Date of Patent:** **\*\* Jun. 11, 2019**

- (54) **GLASS TILE**
- (71) Applicant: **Carl Steadly**, Honolulu, HI (US)
- (72) Inventor: **Carl Steadly**, Honolulu, HI (US)
- (\*\*) Term: **15 Years**
- (21) Appl. No.: **29/606,048**
- (22) Filed: **Jun. 1, 2017**
- (51) **LOC (11) Cl.** ..... **25-01**
- (52) **U.S. Cl.**  
USPC ..... **D25/103**
- (58) **Field of Classification Search**  
USPC ..... D21/478-480, 484, 500, 503, 504, 505;  
D25/103, 109, 110, 112-118, 138-141,  
D25/143, 144, 157-162  
CPC ..... E04F 13/14; E04F 13/145; E04F 13/15;  
E04F 13/0862; Y10S 524/925; E04C  
1/42; C03B 11/14; C03B 19/02  
See application file for complete search history.

- D729,437 S \* 5/2015 Hillstrom ..... D25/103
- D729,438 S \* 5/2015 Hillstrom ..... D25/103
- D777,459 S \* 1/2017 Parshad ..... D6/332

**OTHER PUBLICATIONS**

<http://lunadabaytile.duehrandassociates.com/luce-collection/> Posted Apr. 4, 2017 (Year: 2017).\*

<https://lunadabaytile.wordpress.com/category/new-products/> Posted Feb. 14, 2018 (Year: 2018).\*

[http://www.lunadabaytile.com/new\\_products/pdf/introducing\\_luce.pdf](http://www.lunadabaytile.com/new_products/pdf/introducing_luce.pdf) Last modified Sep. 28, 2017 (Year: 2017).\*

\* cited by examiner

*Primary Examiner* — Leanne Was-Englehart  
(74) *Attorney, Agent, or Firm* — Irving Keschner

(57) **CLAIM**

The ornamental design for a glass tile, as shown.

**DESCRIPTION**

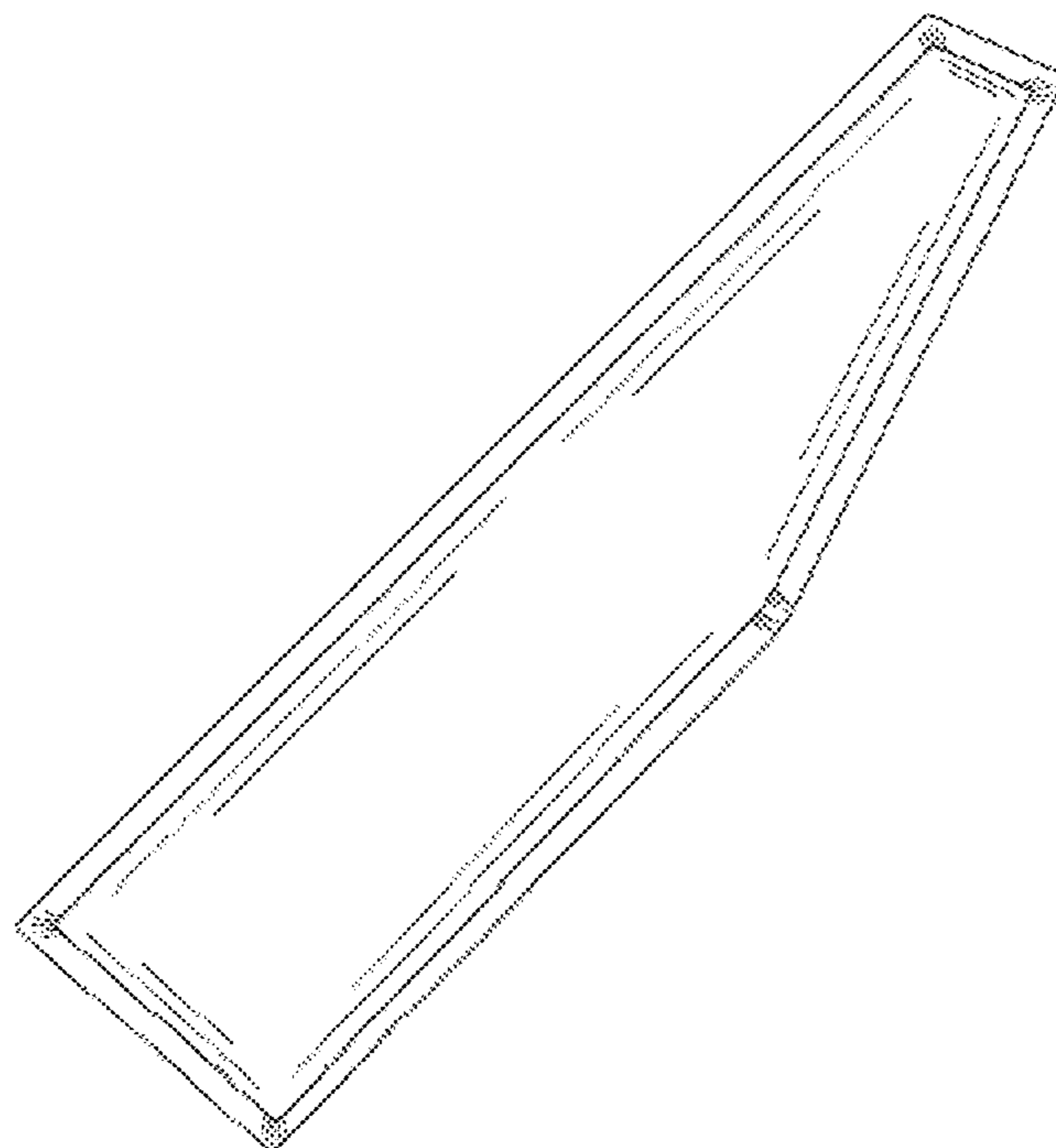
FIG. 1 is a top perspective view of the glass tile of the present invention  
FIG. 2 is a top plan view of the design shown in FIG. 1;  
FIG. 3 is a bottom view of the design shown in FIG. 1;  
FIG. 4 is a right side view of the design shown in FIG. 1;  
FIG. 5 is a left side view of the design shown in FIG. 1;  
FIG. 6 is a front view of the design of the present invention;  
and,  
FIG. 7 is a rear view of the design of the present invention.

**1 Claim, 5 Drawing Sheets**

(56) **References Cited**

**U.S. PATENT DOCUMENTS**

- 1,855,987 A \* 4/1932 Rammer ..... E04B 2/04  
52/604
- D352,559 S \* 11/1994 Krueger ..... D25/113
- D416,633 S \* 11/1999 Horton ..... D25/138
- D629,849 S \* 12/2010 Kojima ..... D21/484
- D663,861 S \* 7/2012 Thomassen ..... D25/113
- D717,970 S \* 11/2014 MacDonald ..... B28B 7/0041  
D25/113



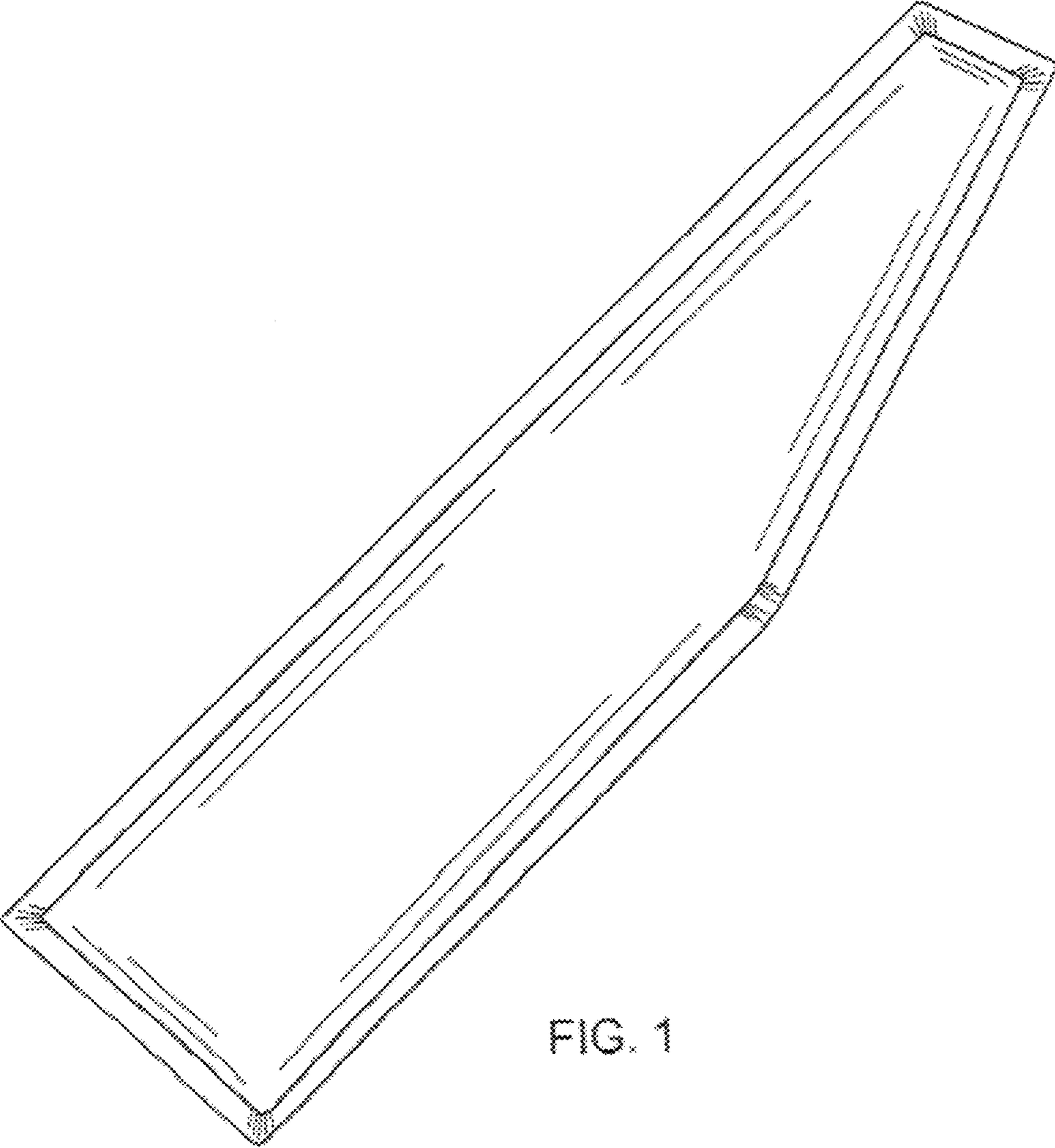


FIG. 1

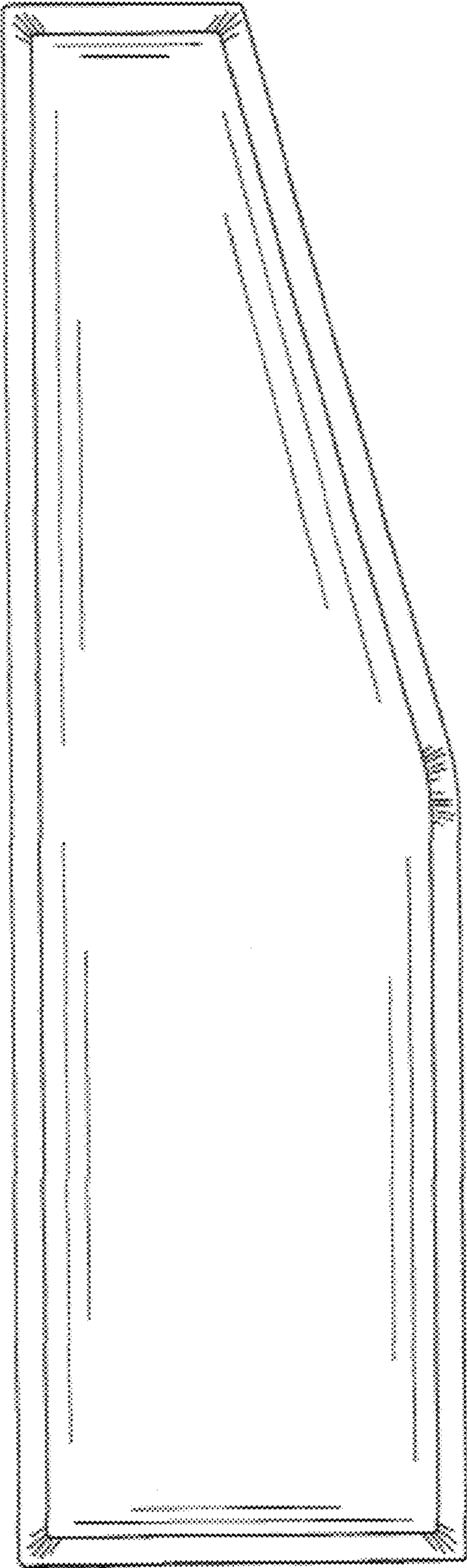


FIG. 2



FIG. 3

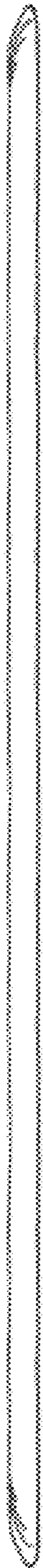


FIG. 4



FIG. 5



FIG. 6

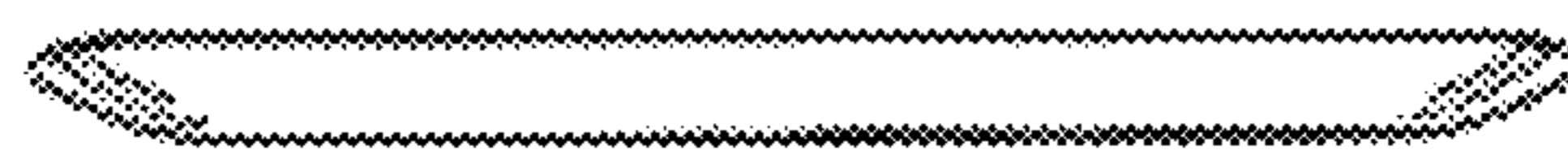


FIG. 7