



US00D851285S

(12) **United States Design Patent**  
**van der Pol**

(10) **Patent No.:** **US D851,285 S**  
(45) **Date of Patent:** **\*\* Jun. 11, 2019**

(54) **SET OF LEGS OF A SELF-STABILIZING TRESTLE**

(71) Applicant: **Paul van der Pol**, Winter Garden, FL (US)

(72) Inventor: **Paul van der Pol**, Winter Garden, FL (US)

(\*\*) Term: **15 Years**

(21) Appl. No.: **29/604,861**

(22) Filed: **May 22, 2017**

(51) **LOC (11) Cl.** ..... **25-04**

(52) **U.S. Cl.**  
USPC ..... **D25/68**

(58) **Field of Classification Search**  
USPC ..... D25/67, 68, 62; 182/186.4, 182.2, 225, 182/181.1, 153, 185.1, 155, 182.4, 21, 182/129, 224, 186.2, 186.3, 226  
CPC ..... B25H 1/06; A47B 2200/0016  
See application file for complete search history.

(56) **References Cited**

**U.S. PATENT DOCUMENTS**

1,680,065	A	8/1928	Proctor	
2,436,337	A	2/1948	Smith et al.	
2,876,046	A	3/1959	Owen	
3,045,777	A	7/1962	Dintelmann	
3,078,957	A	2/1963	Larson	
3,204,906	A	9/1965	Henderson	
3,266,595	A *	8/1966	Bormann	..... B25H 1/06 182/186.4

(Continued)

*Primary Examiner* — Cynthia Ramirez

*Assistant Examiner* — Gino Colan

(74) *Attorney, Agent, or Firm* — Stites & Harbison, PLLC; David W. Nagle, Jr.

(57) **CLAIM**

The ornamental design for a set of legs of a self-stabilizing trestle, as shown and described.

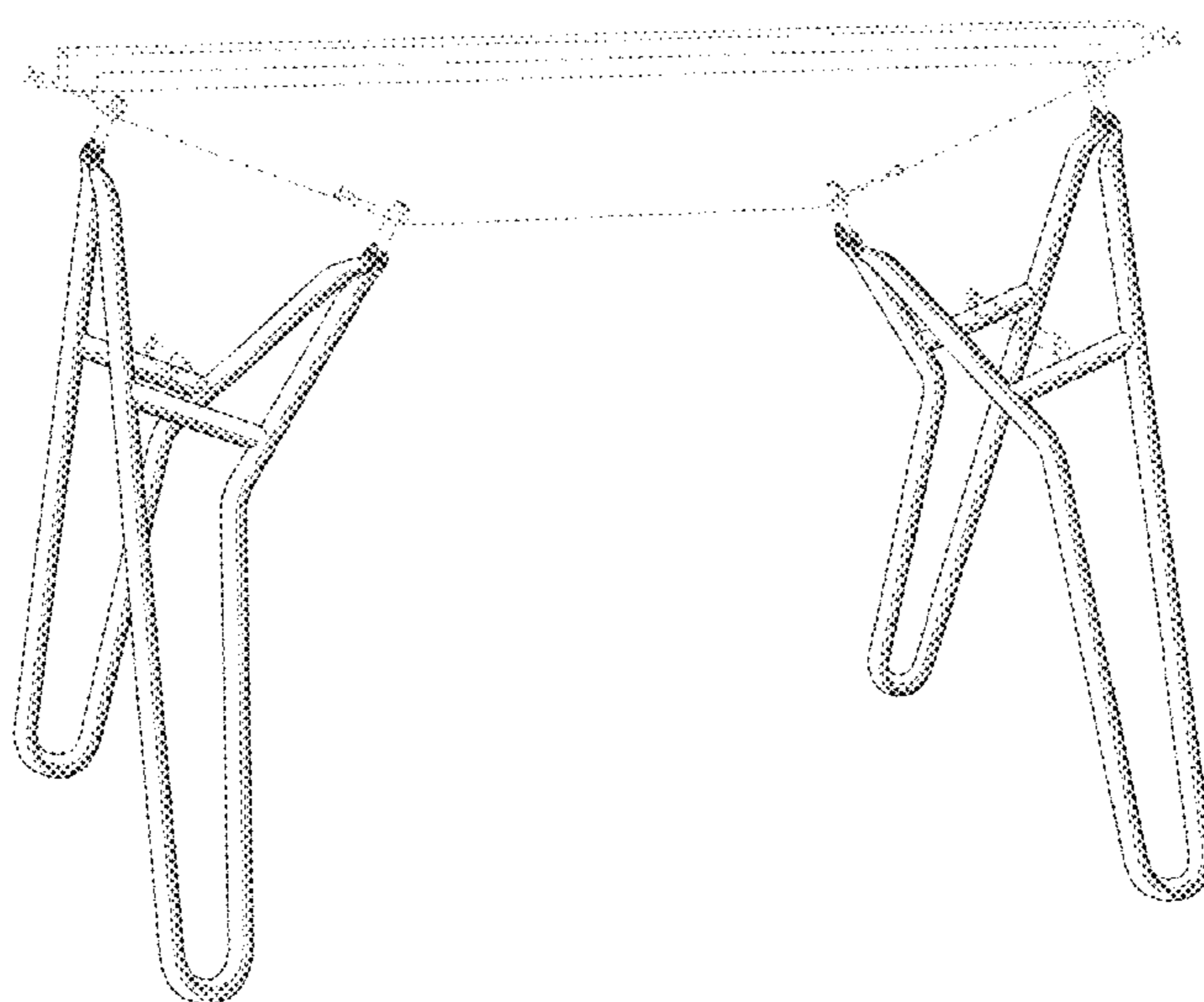
**DESCRIPTION**

FIG. 1 is a perspective view of a first embodiment of a set of legs of a self-stabilizing trestle showing my new design; FIG. 2 is a front view thereof, and the rear view would be identical to the front view; FIG. 3 is a left side view thereof, and the right side view would be identical to the left side view; FIG. 4 is a top view thereof; FIG. 5 is a top view of one of the four identical legs of the set of legs of the self-stabilizing trestle of FIG. 1; FIG. 6 is a left side view thereof; FIG. 7 is a front view thereof; FIG. 8 is a right side view thereof; FIG. 9 is a rear view thereof; FIG. 10 is a bottom view thereof; FIG. 11 is a perspective view of a second embodiment of a set of legs of a self-stabilizing trestle, showing my new design; FIG. 12 is a front view thereof, and the rear view would be identical to the front view; FIG. 13 is a left side view thereof, and the right side view would be identical to the left side view; FIG. 14 is a top view thereof; FIG. 15 is a top view of one of the four identical legs of the set of legs of the self-stabilizing trestle of FIG. 11; FIG. 16 is a left side view thereof; FIG. 17 is a front view thereof; FIG. 18 is a right side view thereof; FIG. 19 is a rear view thereof; and, FIG. 20 is a bottom view thereof.

In FIGS. 5-10 and 15-20, only one of the legs is shown for convenience of illustration.

The broken lines shown in the Figures are included for the purpose of illustrating environment and form no part of the claimed design.

**1 Claim, 12 Drawing Sheets**



(56)

References Cited

U.S. PATENT DOCUMENTS

3,269,487 A *	8/1966	Larson .....	B25H 1/06 182/155	5,096,019 A	3/1992	Kelsay	
D213,254 S *	1/1969	Hollingsworth .....	D25/67	5,141,077 A	8/1992	Zuercher	
3,848,701 A	11/1974	Hughes		5,207,290 A	5/1993	Torok	
3,978,943 A	9/1976	Greenman et al.		5,215,162 A	6/1993	Parks et al.	
4,009,855 A	3/1977	Hoffmann et al.		5,351,785 A	10/1994	DuRapau	
4,014,404 A *	3/1977	Jackson .....	B25H 1/06 182/155	5,365,697 A	11/1994	Vanderpan	
4,102,434 A *	7/1978	Blank .....	B25H 1/06 182/186.4	5,404,962 A	4/1995	Carter	
4,135,691 A	1/1979	Wiesmann		5,439,073 A	8/1995	Johnson	
4,238,001 A	12/1980	Alexander		5,467,842 A *	11/1995	Meloy .....	B25H 1/06 182/151
4,241,808 A	12/1980	Middleton et al.		5,499,585 A	3/1996	Vanderminden, Sr.	
4,278,148 A	7/1981	Daley et al.		D370,271 S	5/1996	Smith	
4,298,094 A	11/1981	Strong		5,560,449 A	10/1996	Smith	
4,298,096 A	11/1981	Prior		5,582,267 A	12/1996	Bockoven et al.	
4,325,463 A	4/1982	Taylor		D378,544 S	3/1997	Aldredge	
4,502,563 A	3/1985	Pershon		D379,236 S	5/1997	Sheftel	
4,515,243 A	5/1985	Prior		5,626,205 A	5/1997	Martin	
D280,440 S	9/1985	Gromer, Jr.		5,626,321 A	5/1997	Ulshafer, Jr.	
D280,558 S	9/1985	Lazar et al.		5,647,455 A	7/1997	Russell	
4,566,559 A	1/1986	van Asten		RE35,627 E	10/1997	Estrem	
D286,573 S	11/1986	Kilenstam		5,690,303 A	11/1997	Winters	
4,620,613 A	11/1986	Albertson		5,720,362 A	2/1998	Denkins	
4,681,187 A	7/1987	Brown		D392,746 S	3/1998	Dickinson et al.	
4,730,698 A	3/1988	Harris		5,758,744 A	6/1998	Forino	
4,733,704 A	3/1988	Wolff		5,779,003 A	7/1998	Carty	
4,763,757 A	8/1988	Cheney		5,865,269 A	2/1999	Eskesen	
4,884,658 A *	12/1989	Banfield .....	B25H 1/06 182/129	6,092,627 A *	7/2000	Burger .....	B25H 1/06 182/153
4,938,311 A	7/1990	Combs		6,129,180 A	10/2000	Brady	
5,007,502 A	4/1991	Shapiro		6,283,250 B1	9/2001	Asher	
5,020,634 A	6/1991	Gunderson et al.		6,761,249 B2 *	7/2004	Garcia .....	A47F 5/13 182/153
				6,892,859 B2	5/2005	van der Pol	
				2003/0132061 A1 *	7/2003	Garcia .....	A47F 5/13 182/153

\* cited by examiner

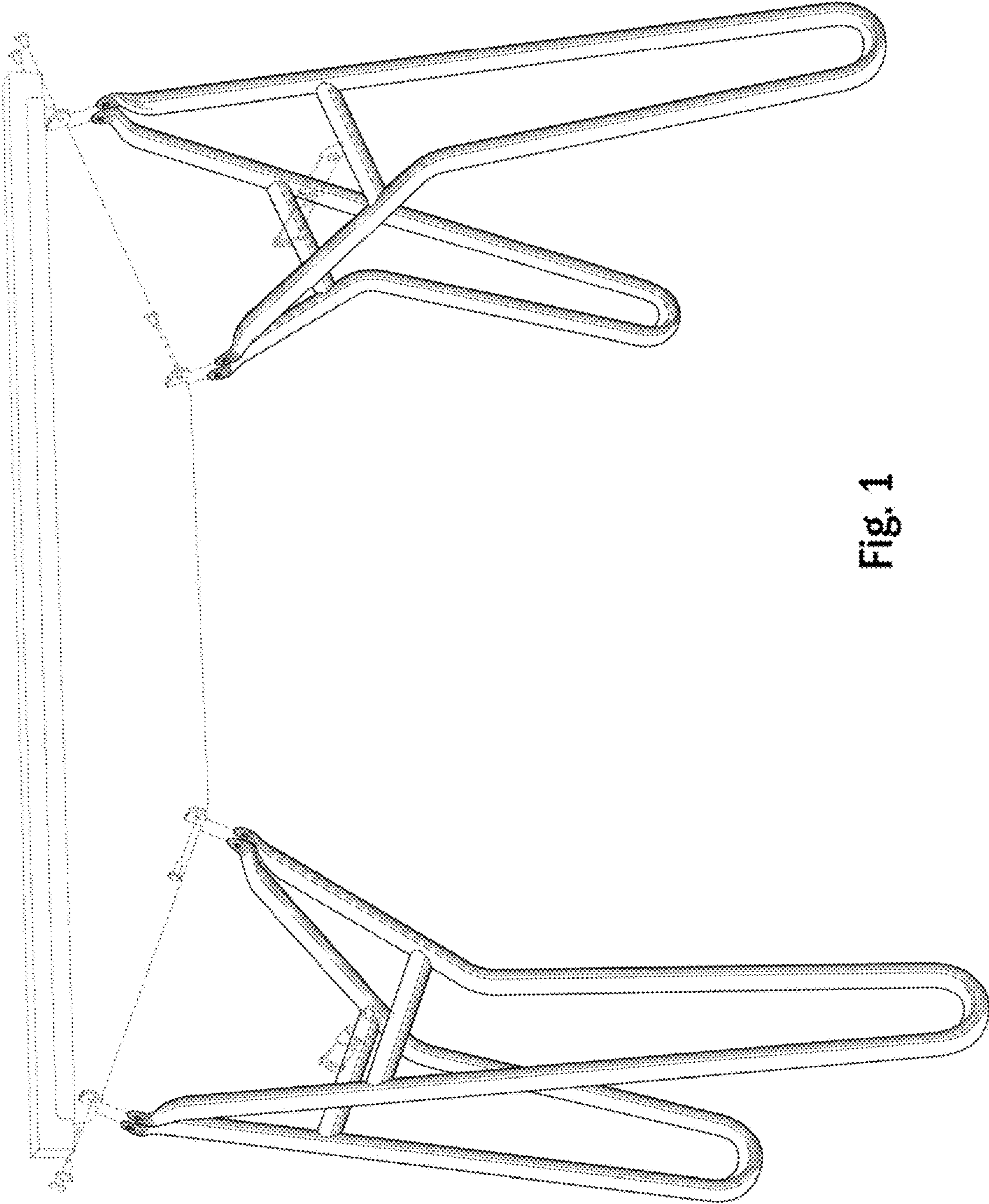


Fig. 1

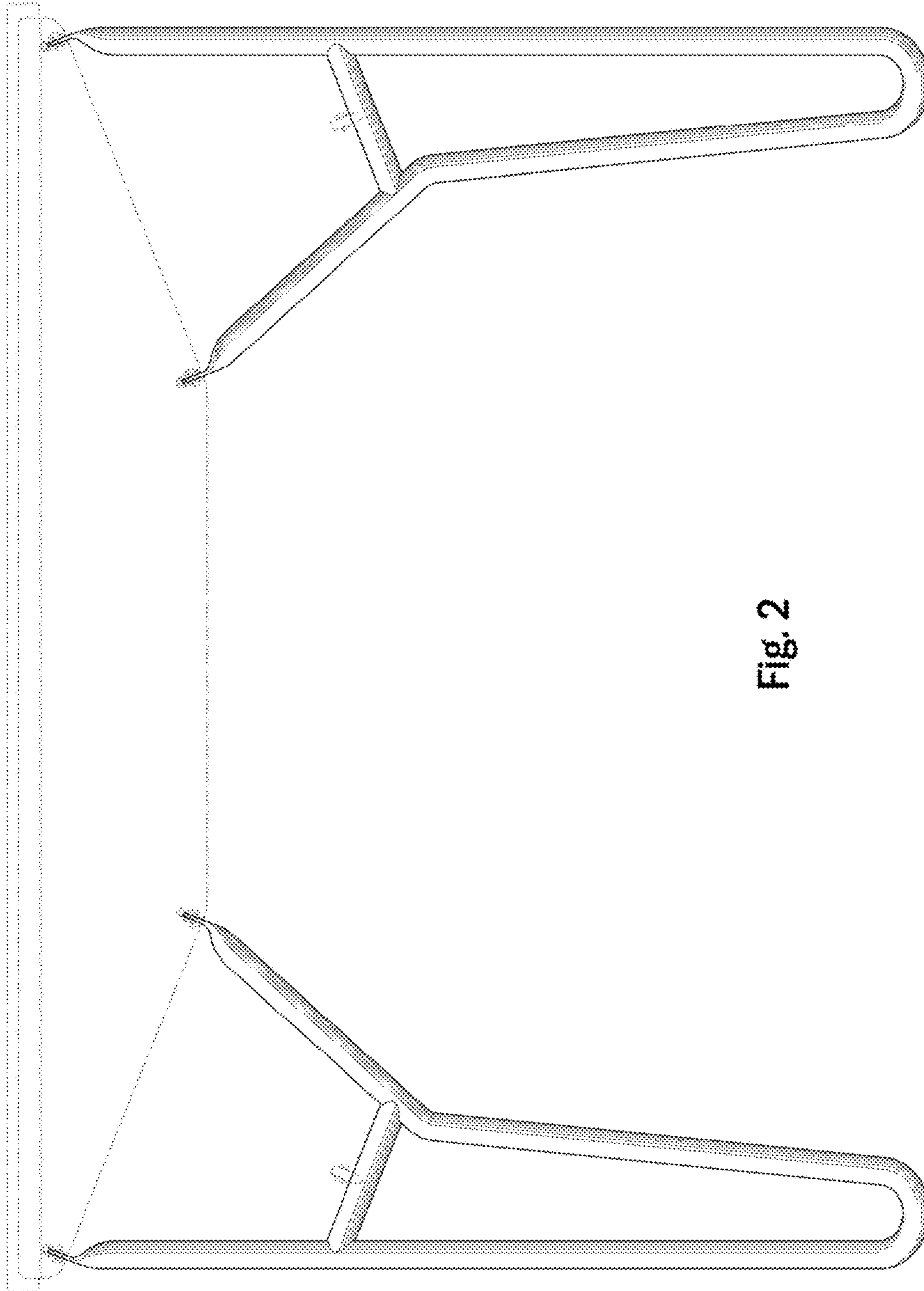


Fig. 2

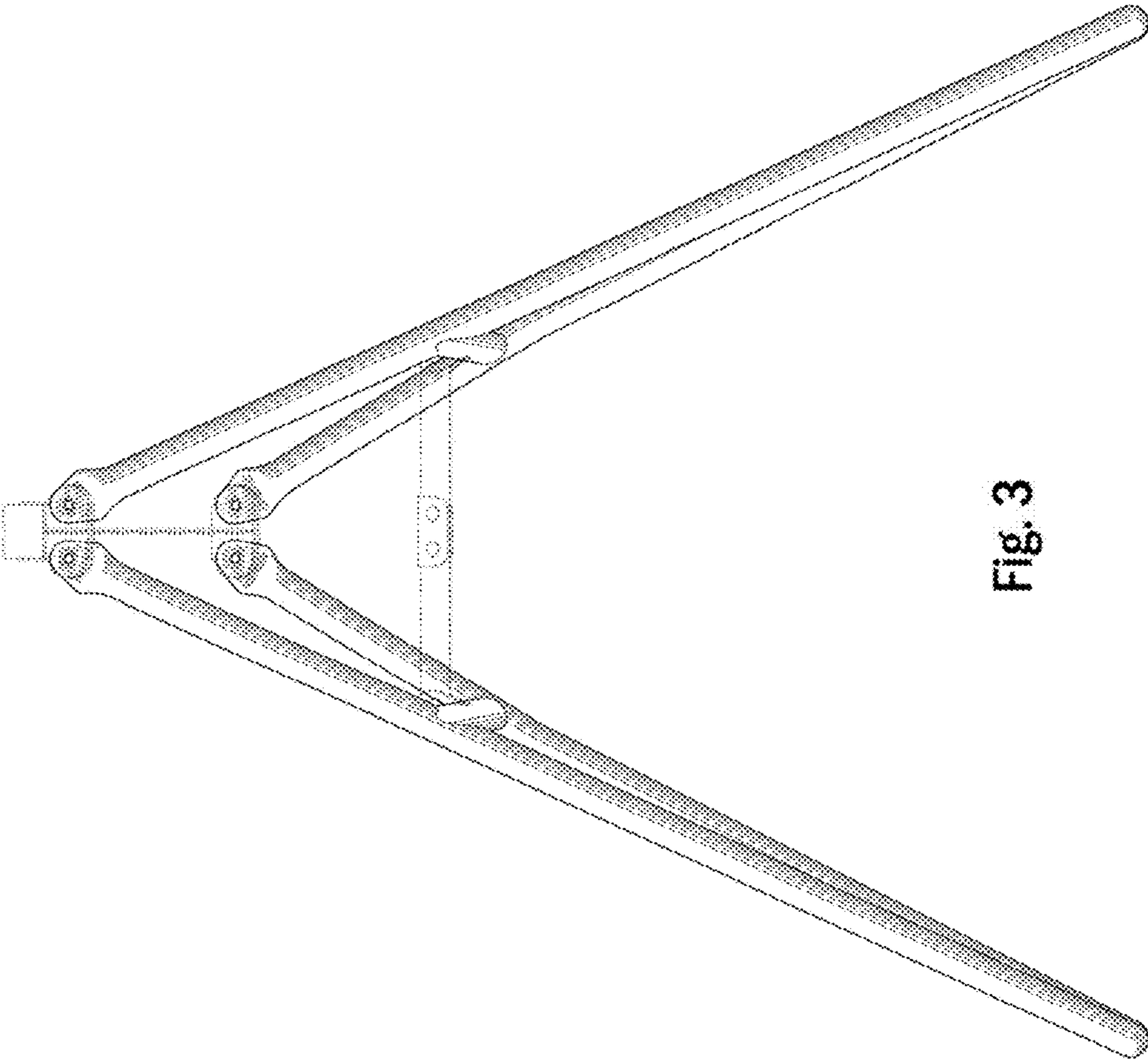


Fig. 3

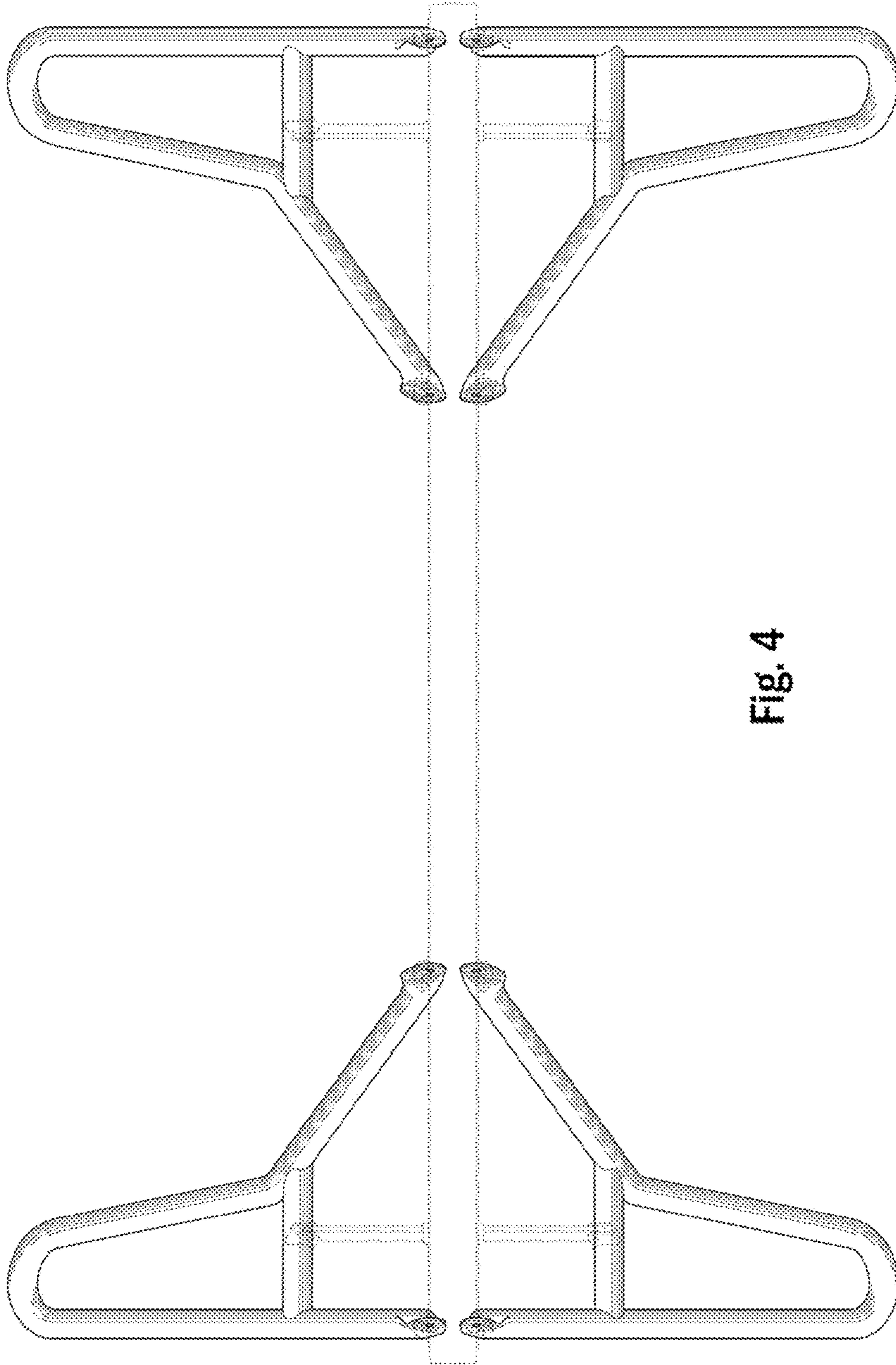


Fig. 4



Fig. 5

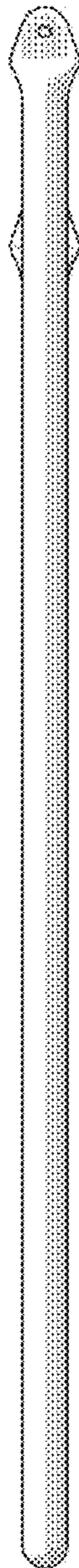


Fig. 6

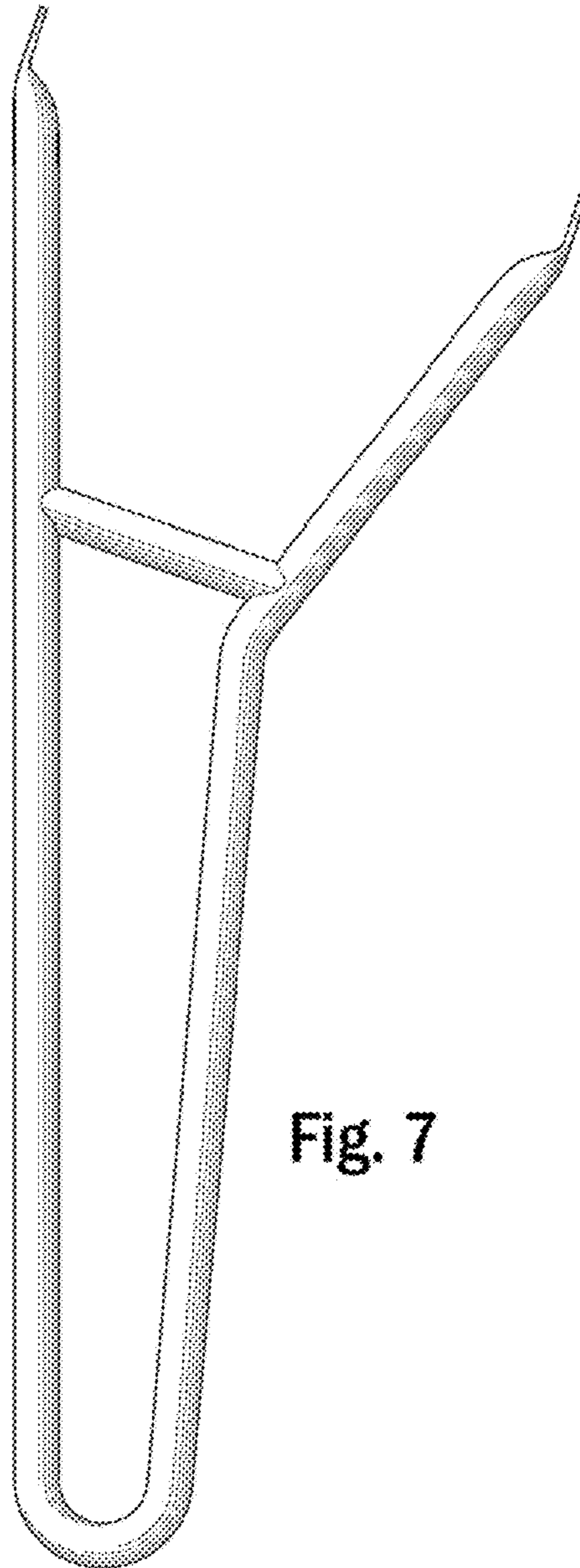


Fig. 7

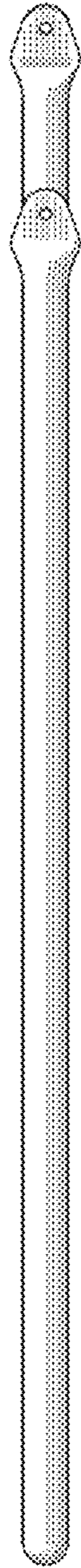


Fig. 8

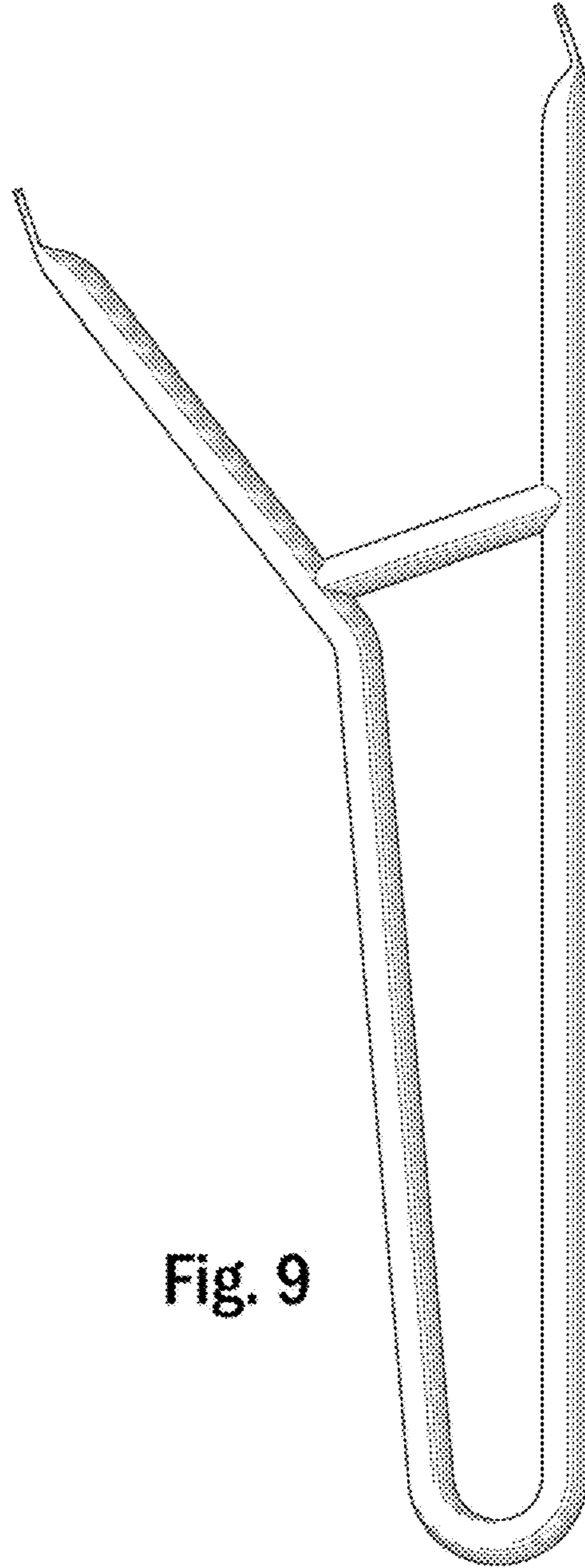


Fig. 9

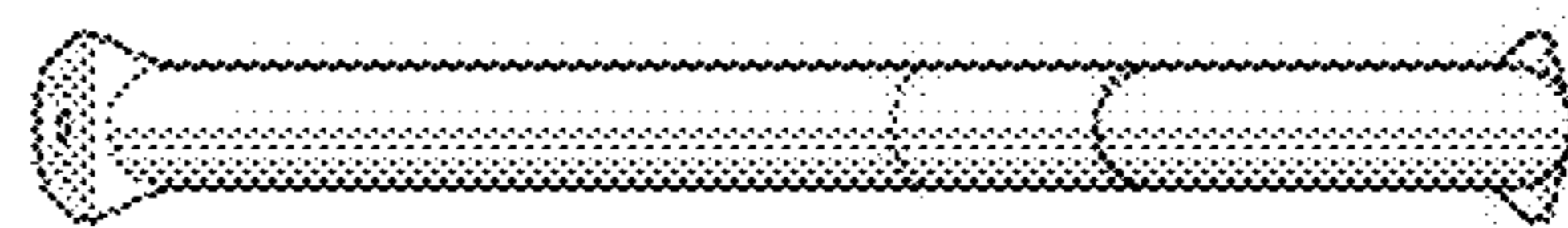


Fig. 10



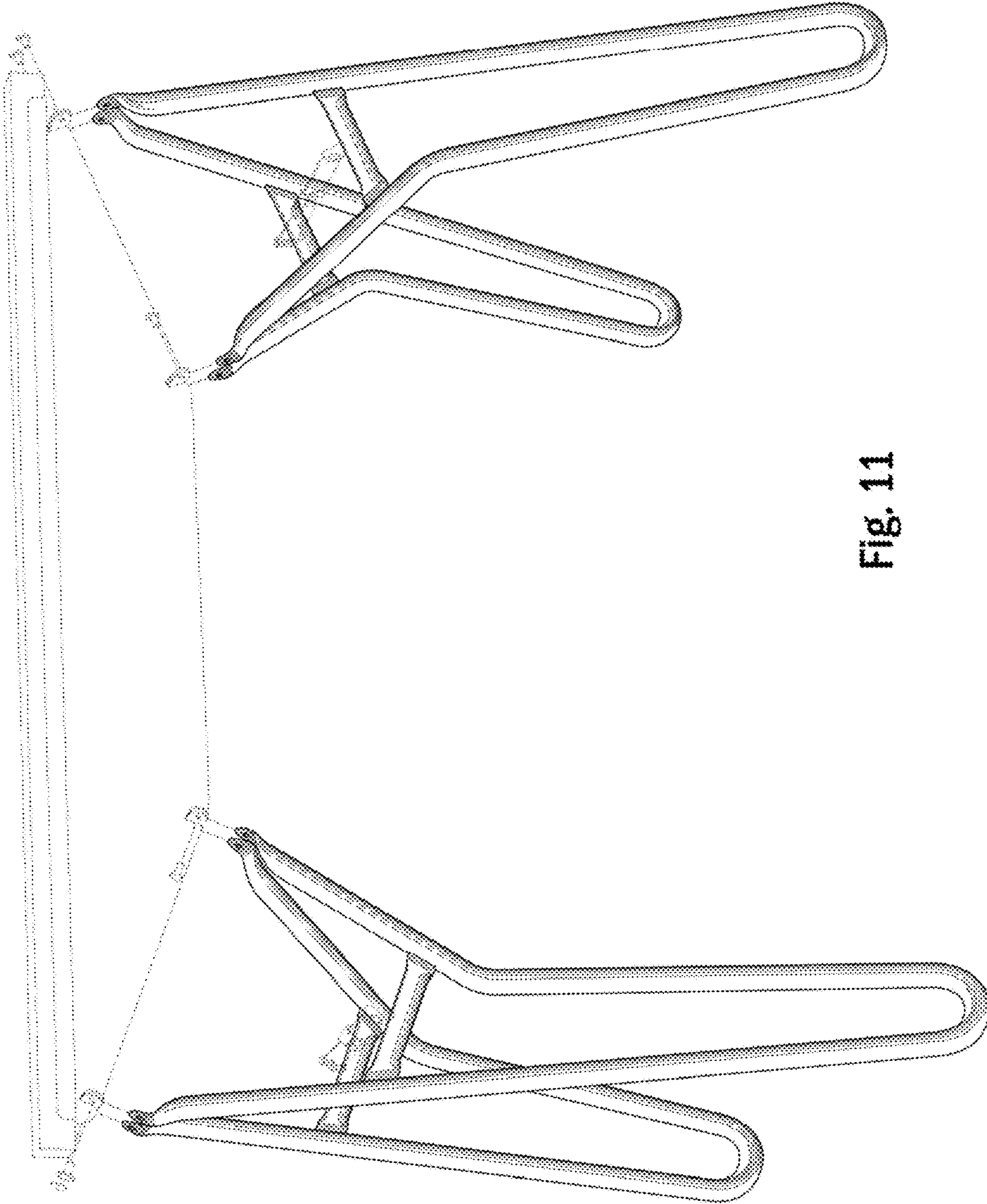


FIG. 11

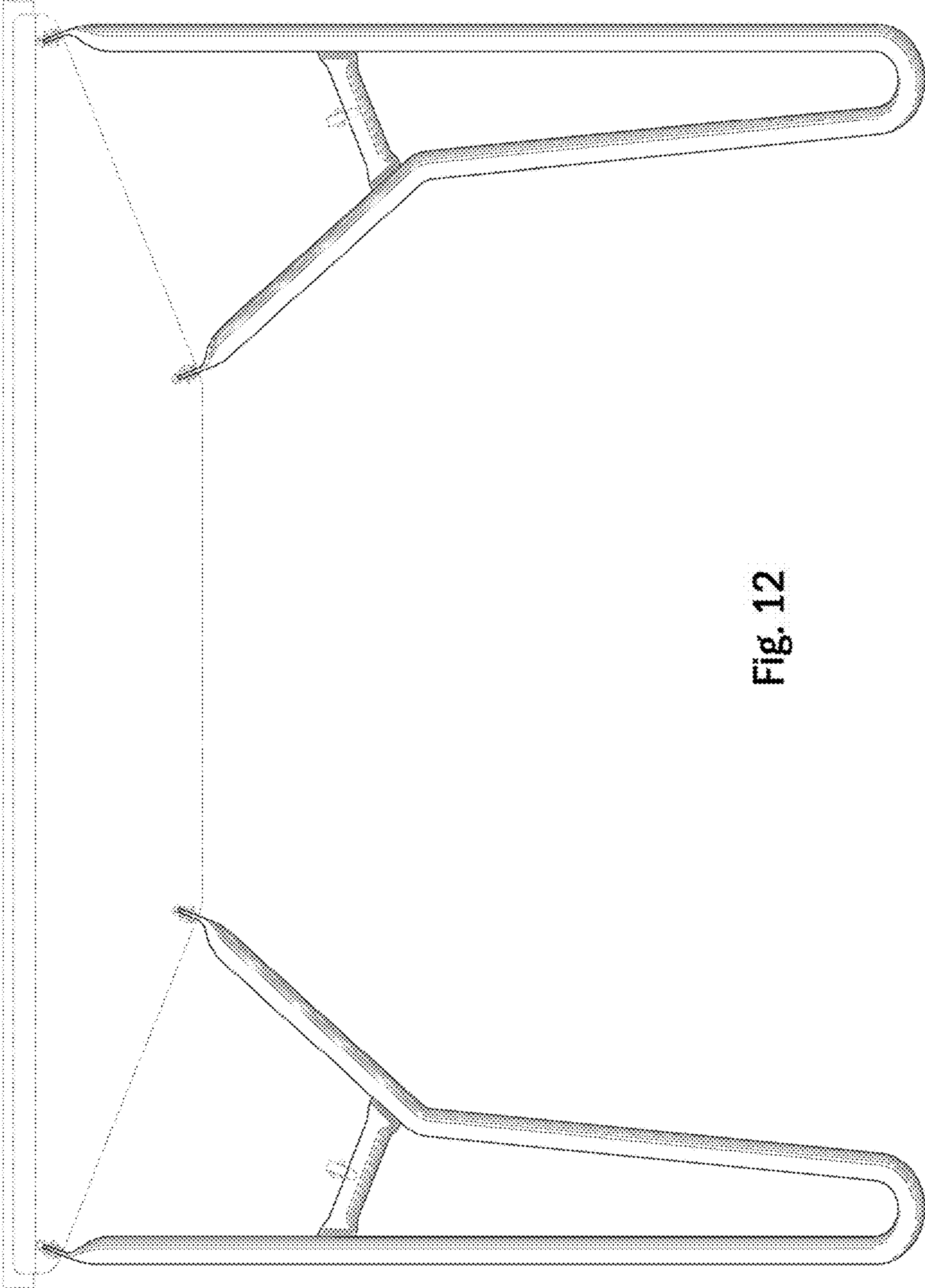


FIG. 12

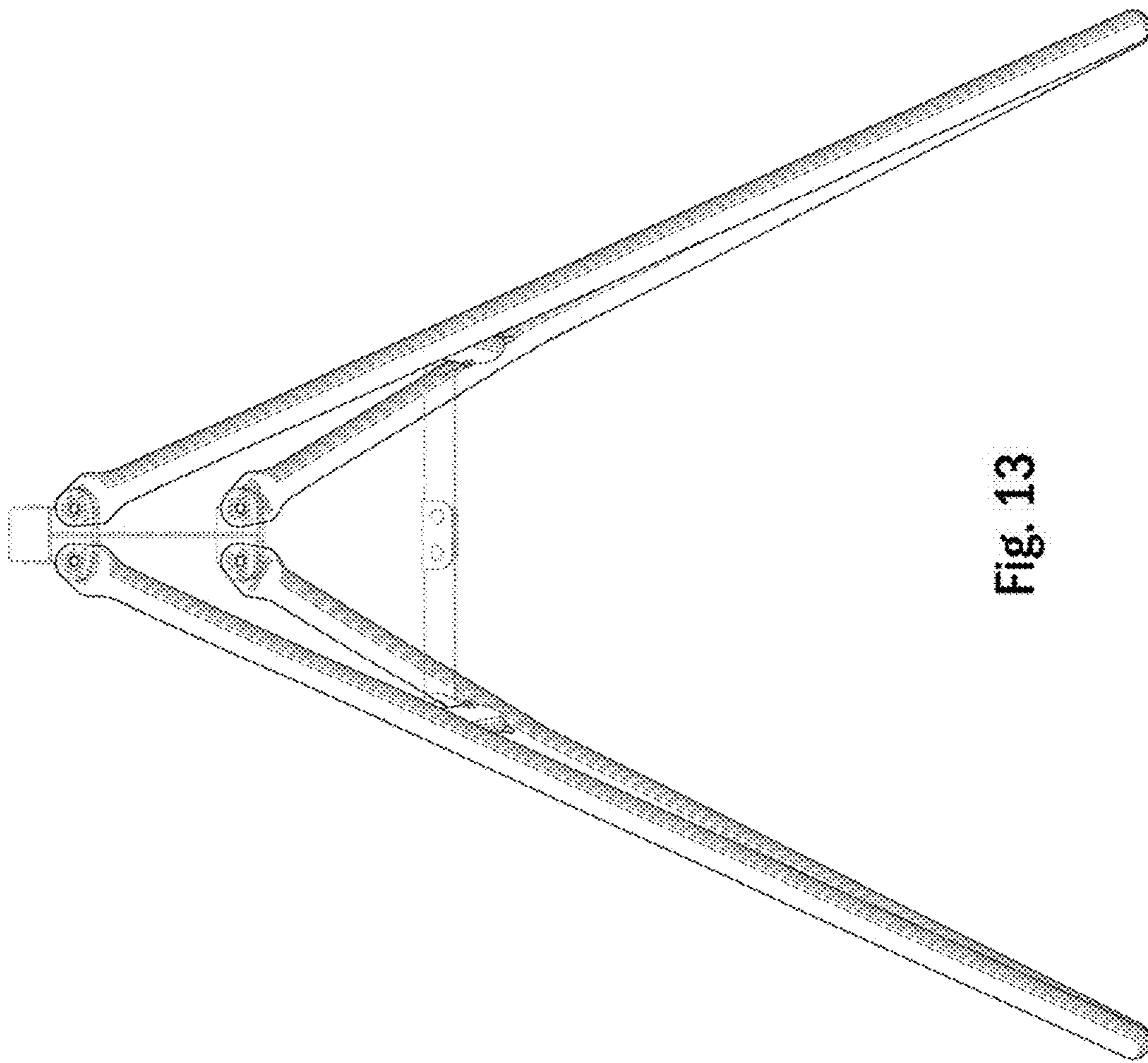


Fig. 13

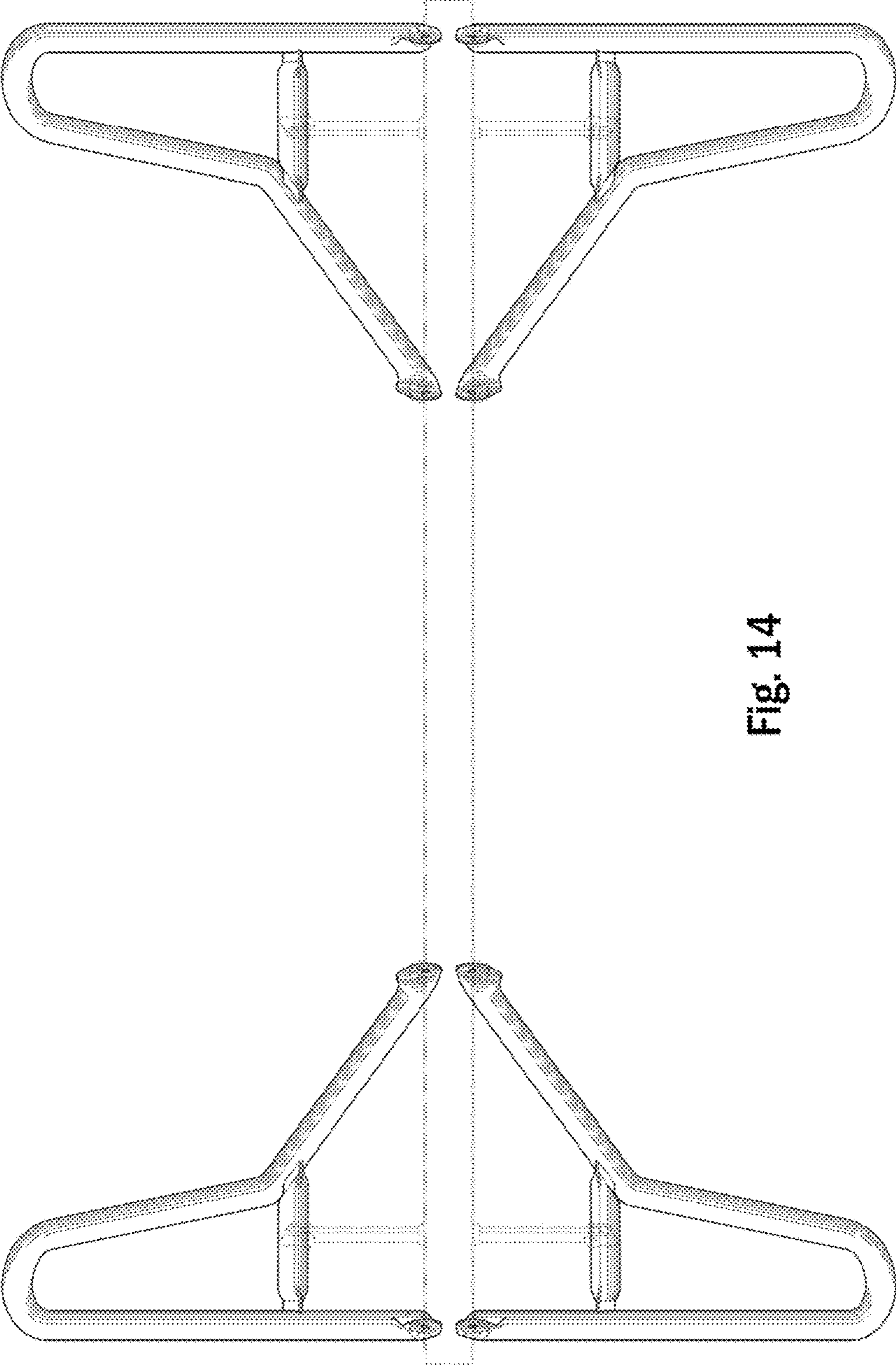


Fig. 14



Fig. 15

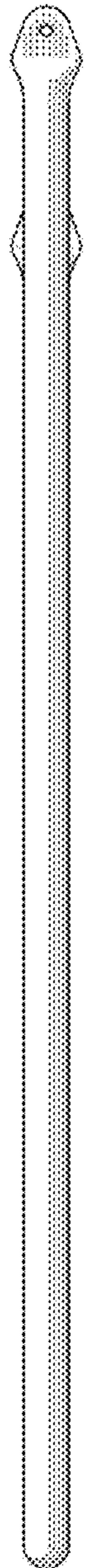


Fig. 16

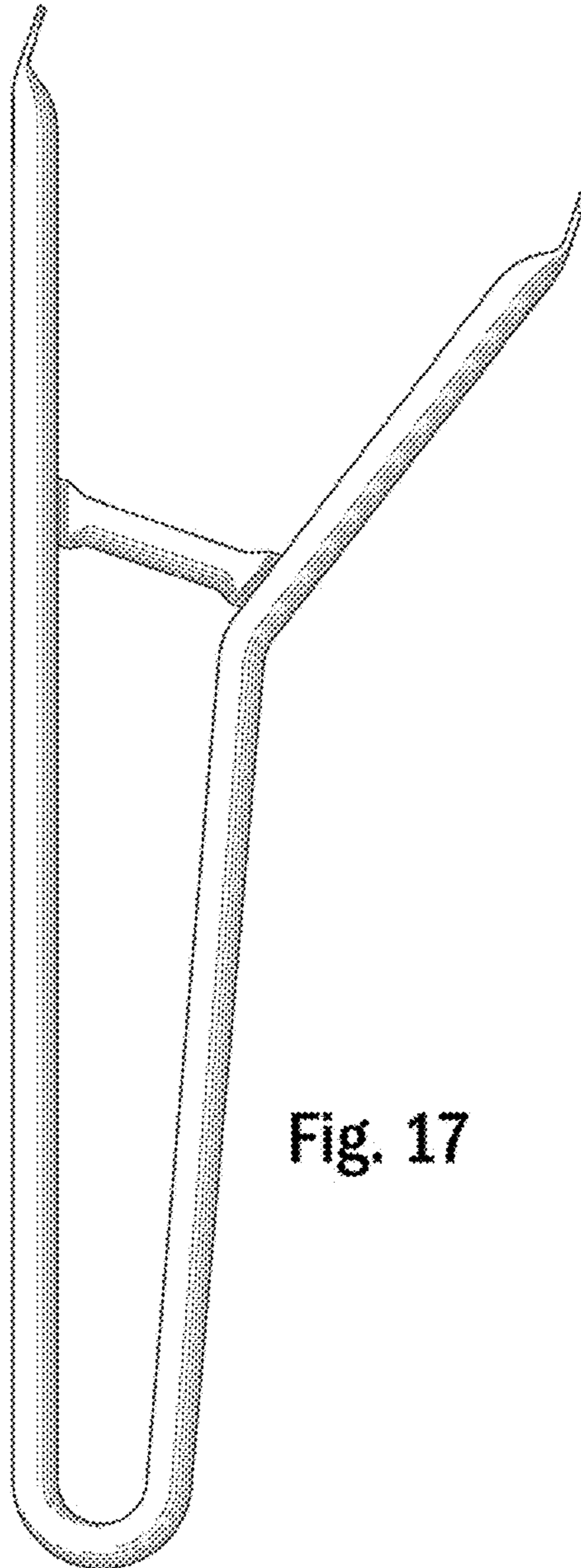


Fig. 17

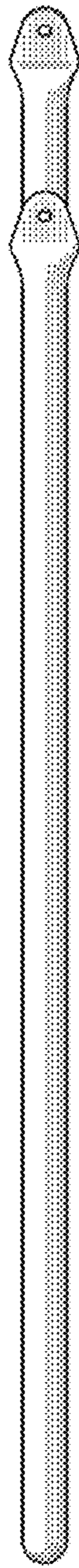


Fig. 18

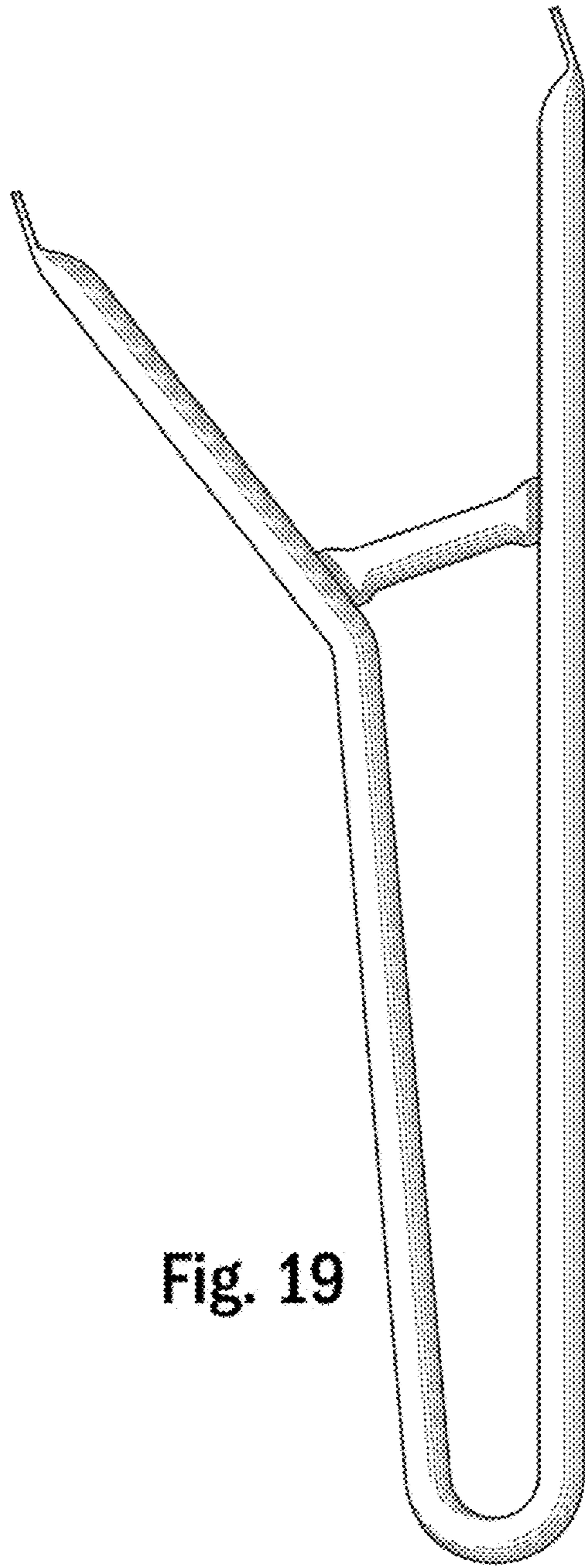


Fig. 19

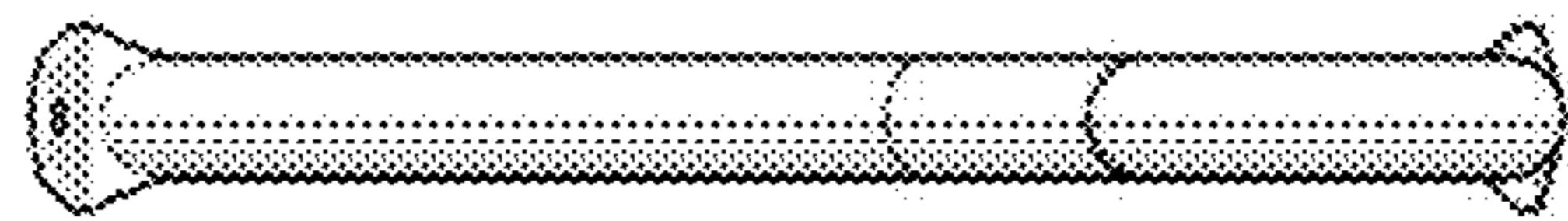


Fig. 20