



US00D851284S

(12) **United States Design Patent**  
**Liese**

(10) **Patent No.:** **US D851,284 S**  
(45) **Date of Patent:** **\*\* Jun. 11, 2019**

(54) **GAZEBO**

(71) Applicant: **hlb-consulting GmbH**, Walzbachtal (DE)

(72) Inventor: **Mark Sebastian Liese**, Walzbachtal (DE)

(73) Assignee: **hlb-consulting GmbH**, Walzbachtal (DE)

(\*\*) Term: **15 Years**

(21) Appl. No.: **29/615,211**

(22) Filed: **Aug. 28, 2017**

**Related U.S. Application Data**

(62) Division of application No. 29/522,266, filed on Mar. 30, 2015, now Pat. No. Des. 796,061.

(30) **Foreign Application Priority Data**

Sep. 30, 2014 (DE) ..... 40 2014 100 927

(51) **LOC (11) Cl.** ..... **25-03**

(52) **U.S. Cl.**  
USPC ..... **D25/56**

(58) **Field of Classification Search**  
USPC ..... D21/834, 837; D25/32, 55, 56, 57  
CPC ..... E04B 1/2604; E04B 2001/266; E04B 2103/04; E04H 1/1205; E04H 15/26; E04H 15/28; E04H 15/48; E04H 15/54; E04H 15/60; E04D 9/00  
See application file for complete search history.

(56) **References Cited**

**U.S. PATENT DOCUMENTS**

D151,655 S \* 11/1948 Preaus ..... D25/57  
D223,789 S \* 6/1972 Economou ..... 52/66  
D224,520 S \* 8/1972 Waters ..... 52/82

(Continued)

**FOREIGN PATENT DOCUMENTS**

EM 000867007-0009 \* 4/2008  
EM 001933185-0001 \* 12/2011

(Continued)

**OTHER PUBLICATIONS**

<https://eventelevators.de/rigging/megaforce-uebernimmt-die-markemagic-sky> Jan. 28, 2013 (Year: 2013).\*

(Continued)

*Primary Examiner* — Leanne Was-Englehart

(74) *Attorney, Agent, or Firm* — Gudrun E. Huckett

(57) **CLAIM**

The ornamental design for a gazebo, as shown and described.

**DESCRIPTION**

FIG. 1 is a side view of a gazebo showing my new design with round posts, wherein the view from the opposite side of the gazebo is identical.

FIG. 2 is another side view of the gazebo, rotated by 90 degrees relative to FIG. 1, the view from the opposite side of the gazebo being identical.

FIG. 3 is a top perspective view of the gazebo.

FIG. 4 is a top plan view of the gazebo.

FIG. 5 is a side view of a variation of the gazebo showing my new design with square posts, wherein the view from the opposite side of the gazebo is identical.

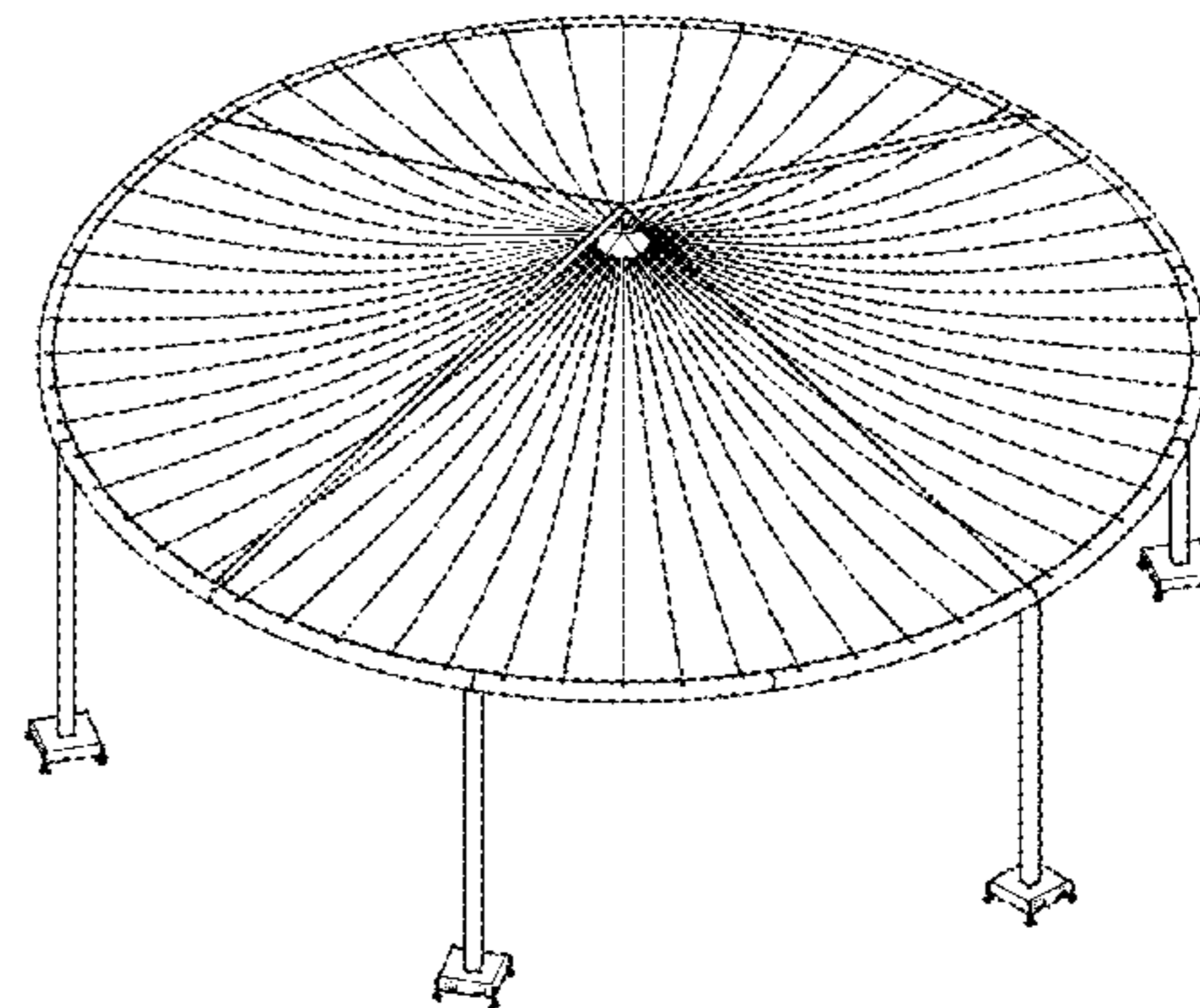
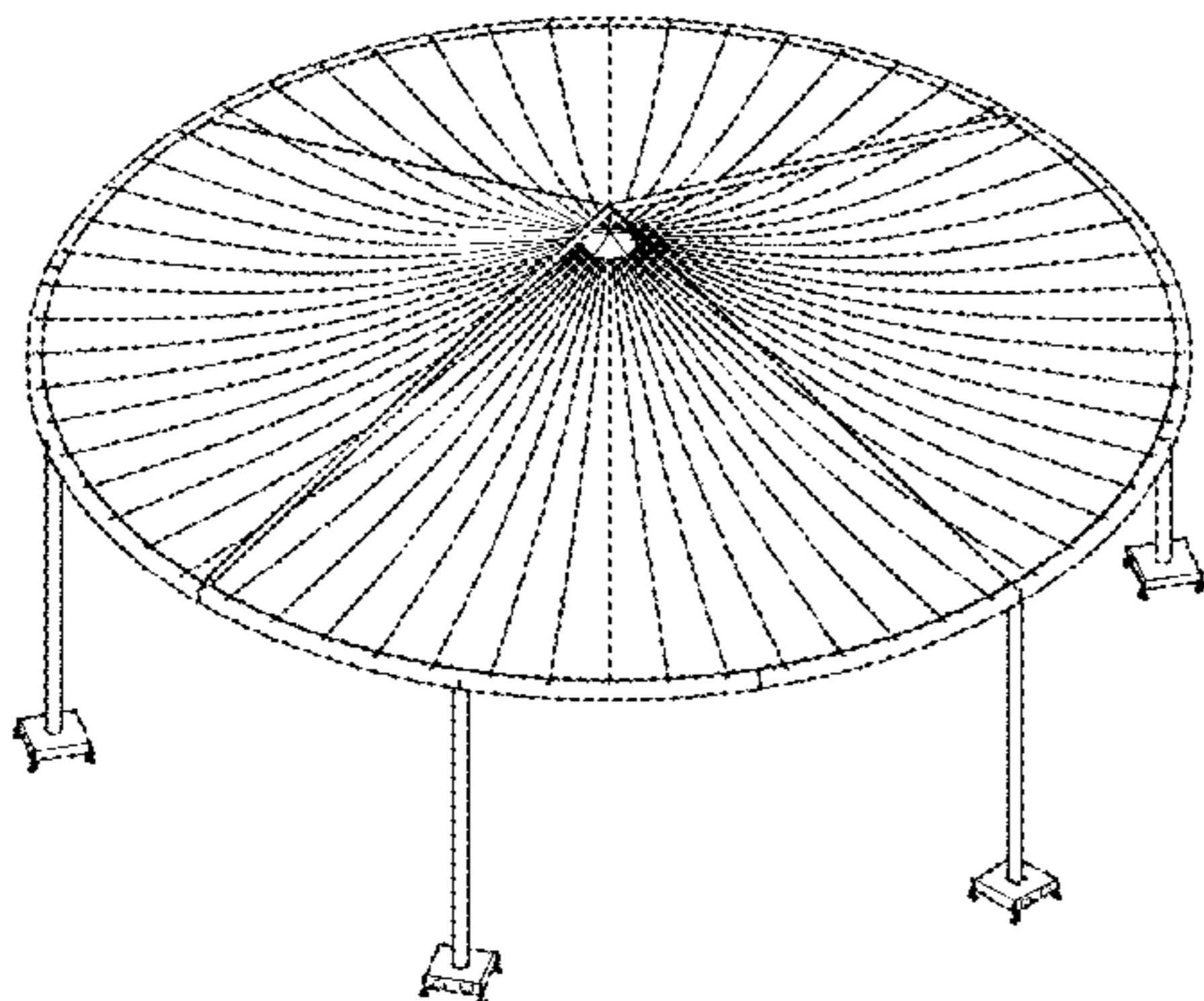
FIG. 6 is another side view of the variation of the gazebo, rotated by 90 degrees relative to FIG. 5, the view from the opposite side of the gazebo being identical.

FIG. 7 is a top perspective view of the variation of the gazebo; and,

FIG. 8 is a top plan view of the variation of the gazebo.

Broken lines depict portions of the gazebo that form no part of the claimed design.

**1 Claim, 8 Drawing Sheets**



(56)

**References Cited**

U.S. PATENT DOCUMENTS

D445,916 S \* 7/2001 Pritchard ..... D25/56  
6,996,941 B1 \* 2/2006 Maschoff ..... E04H 15/48  
135/122  
D605,308 S \* 12/2009 Combs ..... D21/837  
D796,061 S \* 8/2017 Liese ..... D25/56  
D796,062 S \* 8/2017 Liese ..... D25/56  
9,790,705 B2 \* 10/2017 Lyon ..... E04H 15/48  
2005/0235580 A1 \* 10/2005 Golden ..... E04D 9/00  
52/79.1  
2017/0241159 A1 \* 8/2017 Lyon ..... E04H 15/48

FOREIGN PATENT DOCUMENTS

EM 001359020-0002 \* 2/2013  
EM 002225714-0001 \* 4/2013  
GB 3009169 \* 12/2002

OTHER PUBLICATIONS

<https://www.lightsoundjournal.de/2013/11/18/geschaeftiges-jahr-fuer-magic-sky/> Nov. 18, 2013 (Year: 2013).\*  
[http://www.greencity-gmbh.de/cms/upload/datasheets/Info\\_Sheet\\_Magic\\_Sky\\_en.pdf](http://www.greencity-gmbh.de/cms/upload/datasheets/Info_Sheet_Magic_Sky_en.pdf) Jan. 23, 2018 (Year: 2018).\*  
<https://sollik.com/files/magic-sky-technical-data-and-build-up-methods-4c-final.pdf> Feb. 2, 2017 (Year: 2017).\*

\* cited by examiner

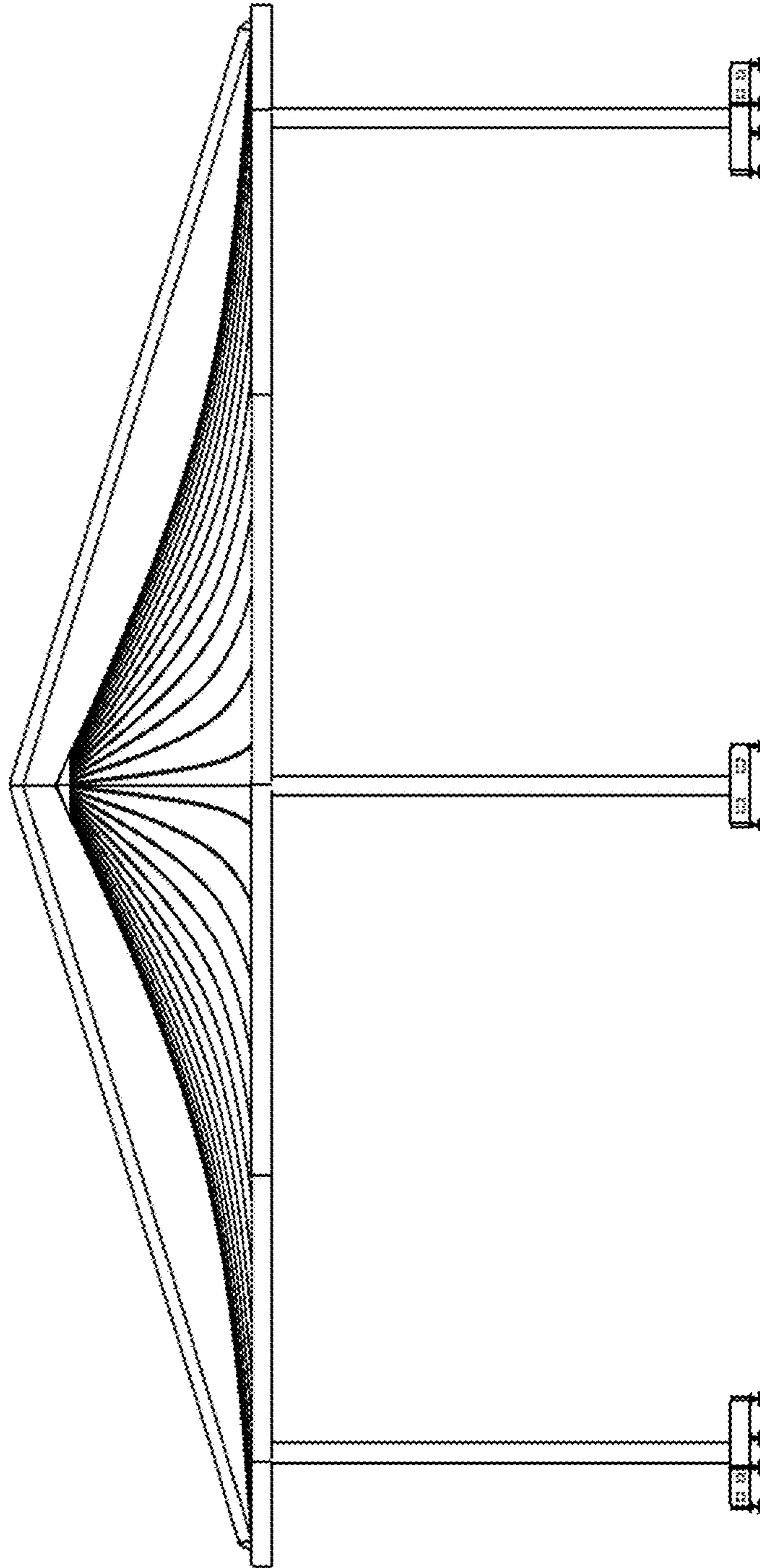


Fig. 1

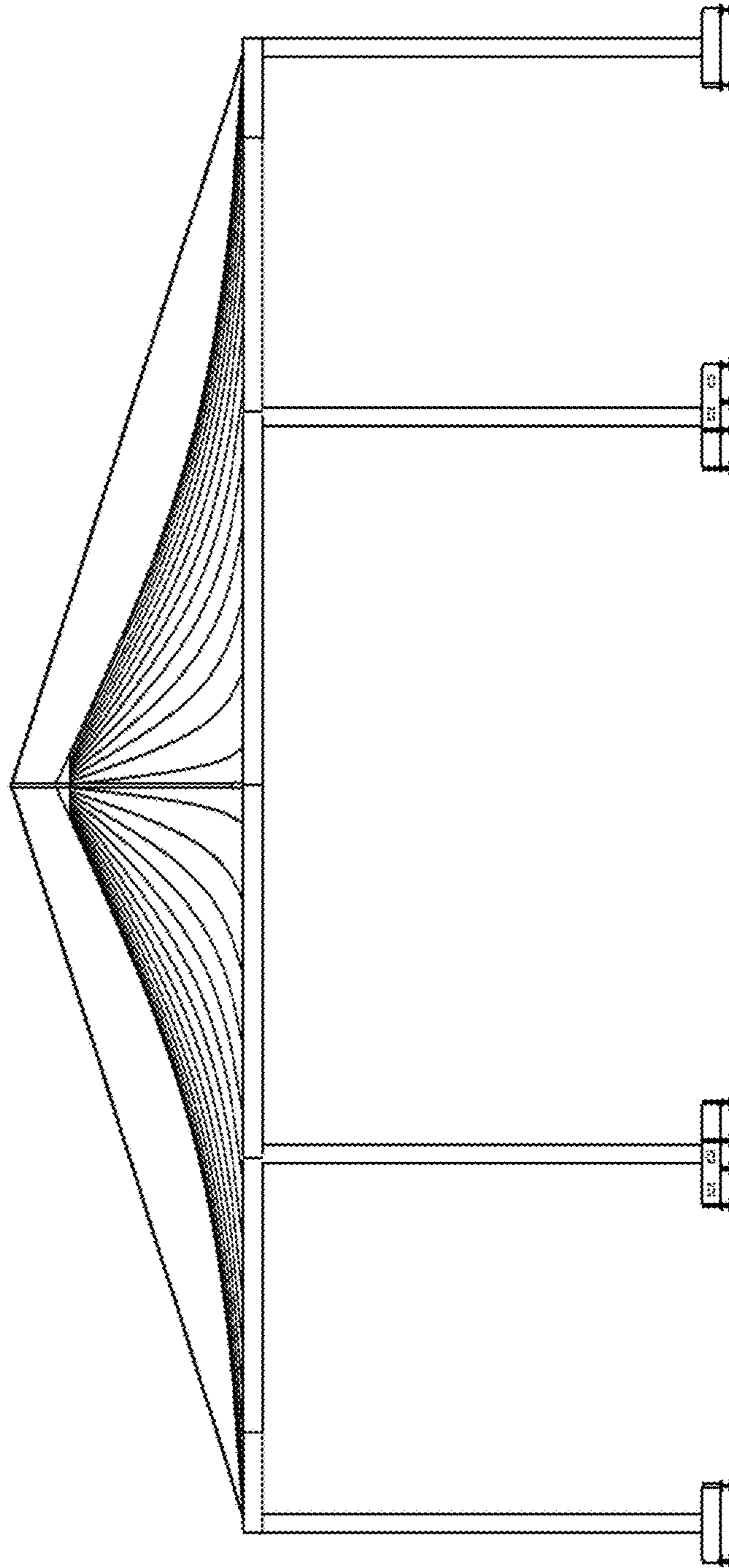


Fig. 2

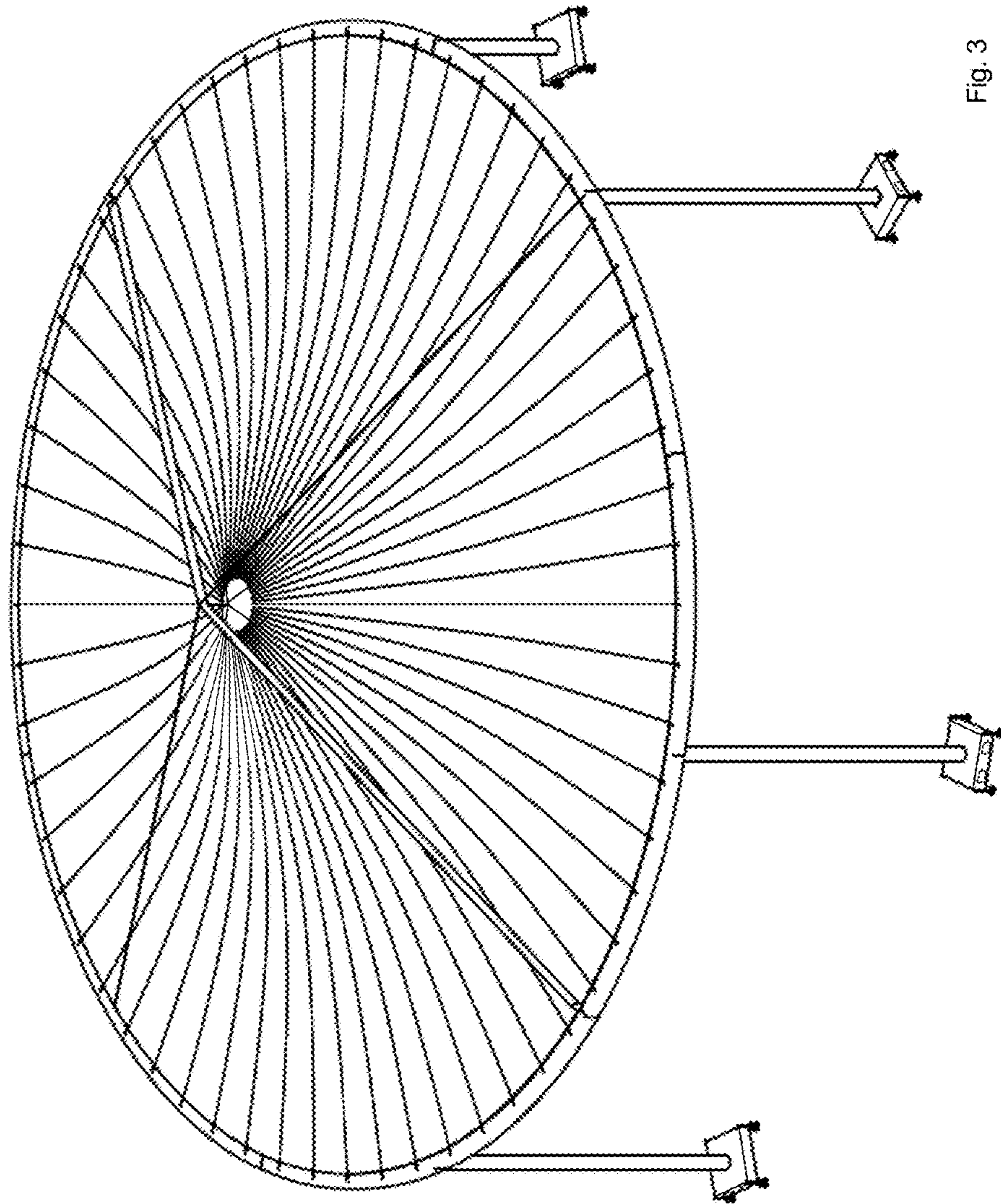


Fig. 3

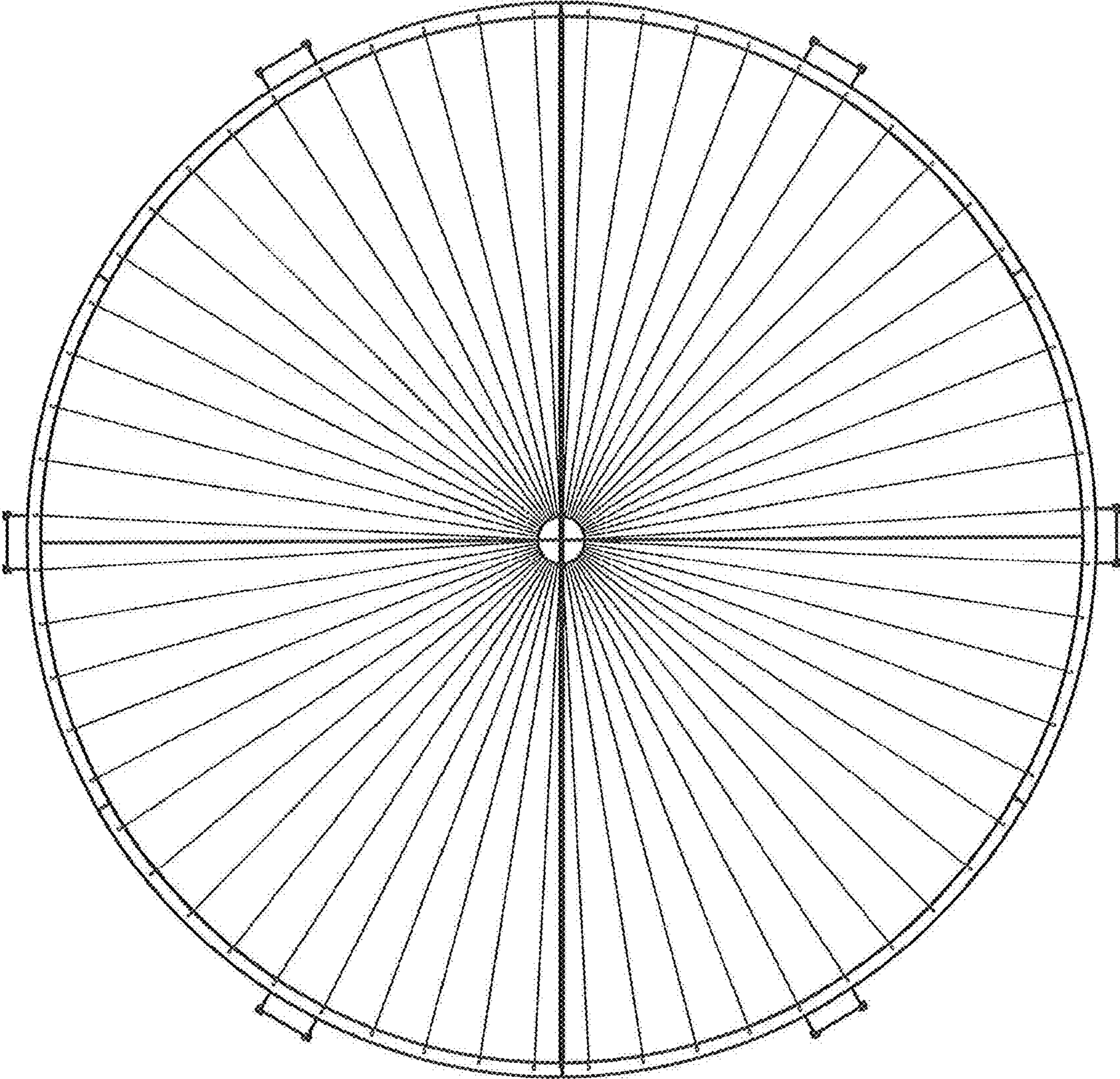


Fig. 4

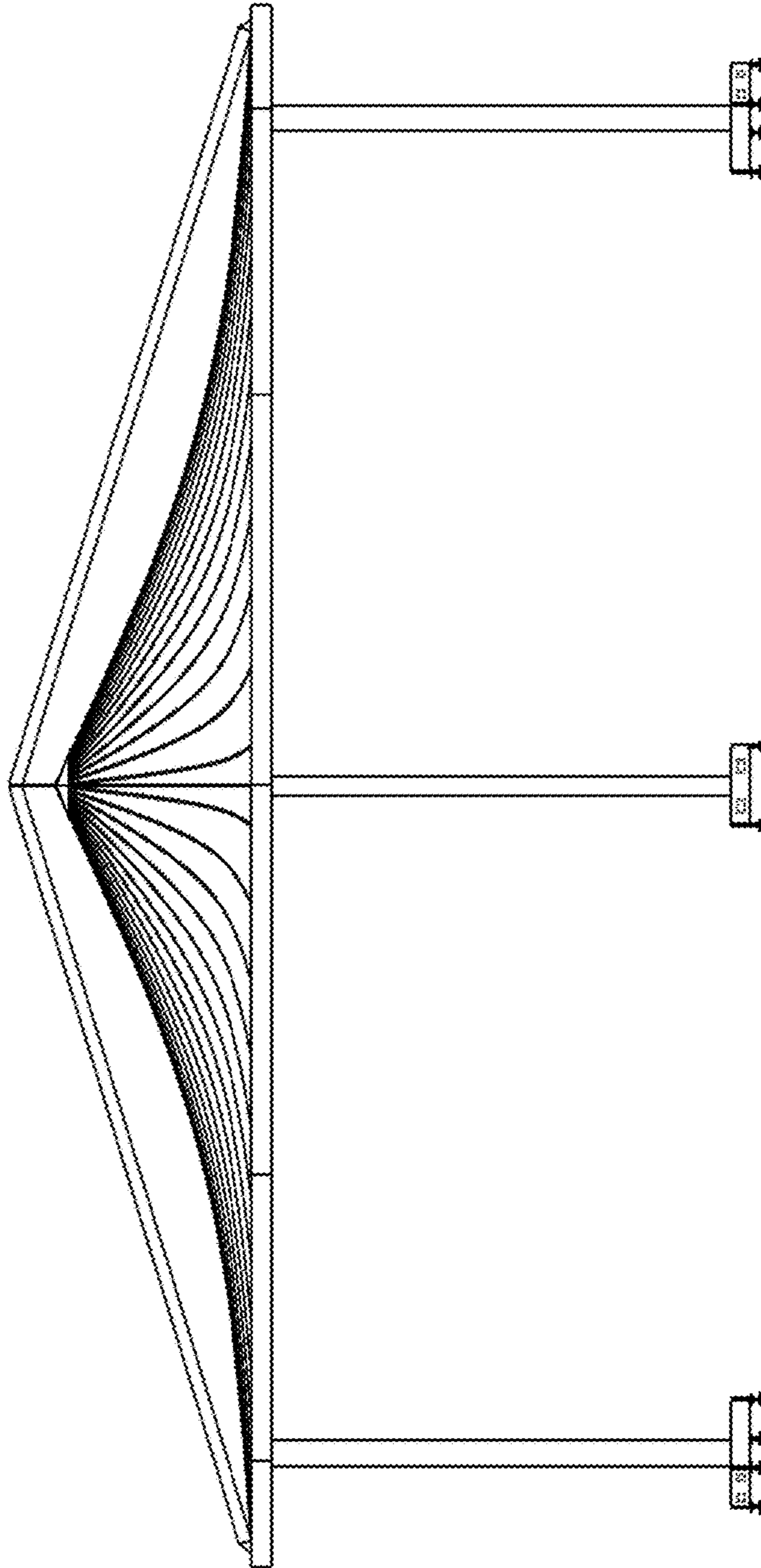


Fig. 5

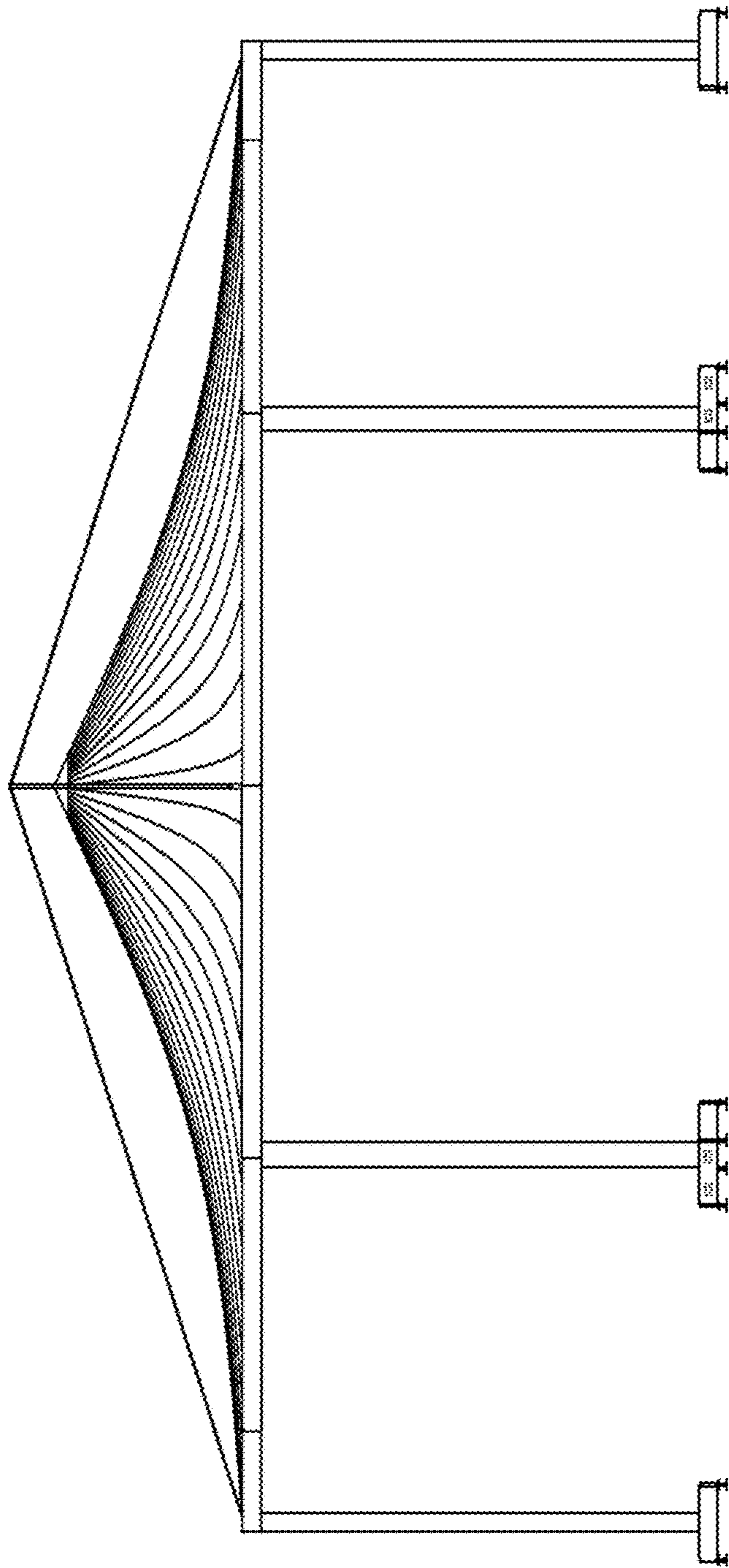


Fig. 6



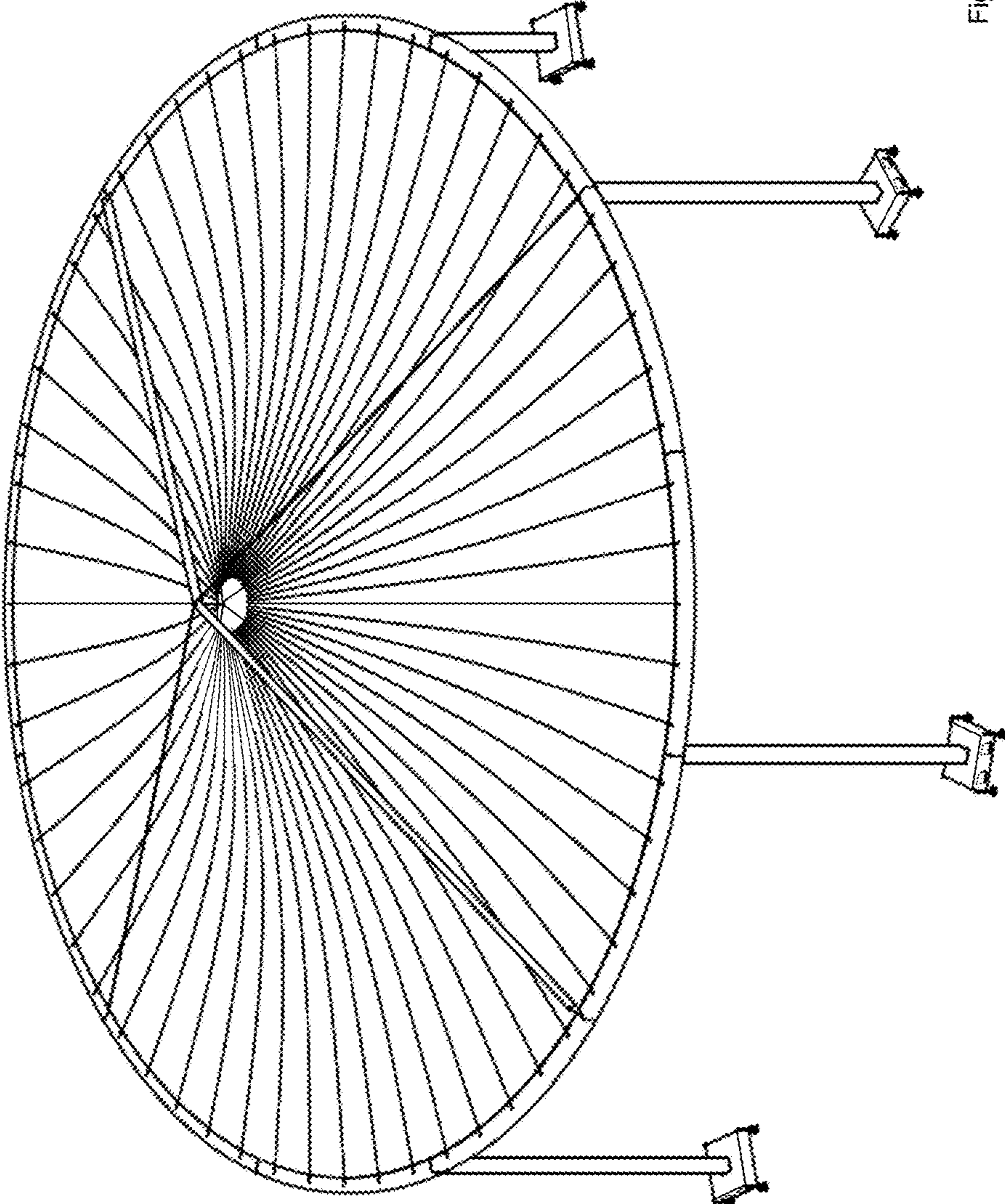


Fig. 7

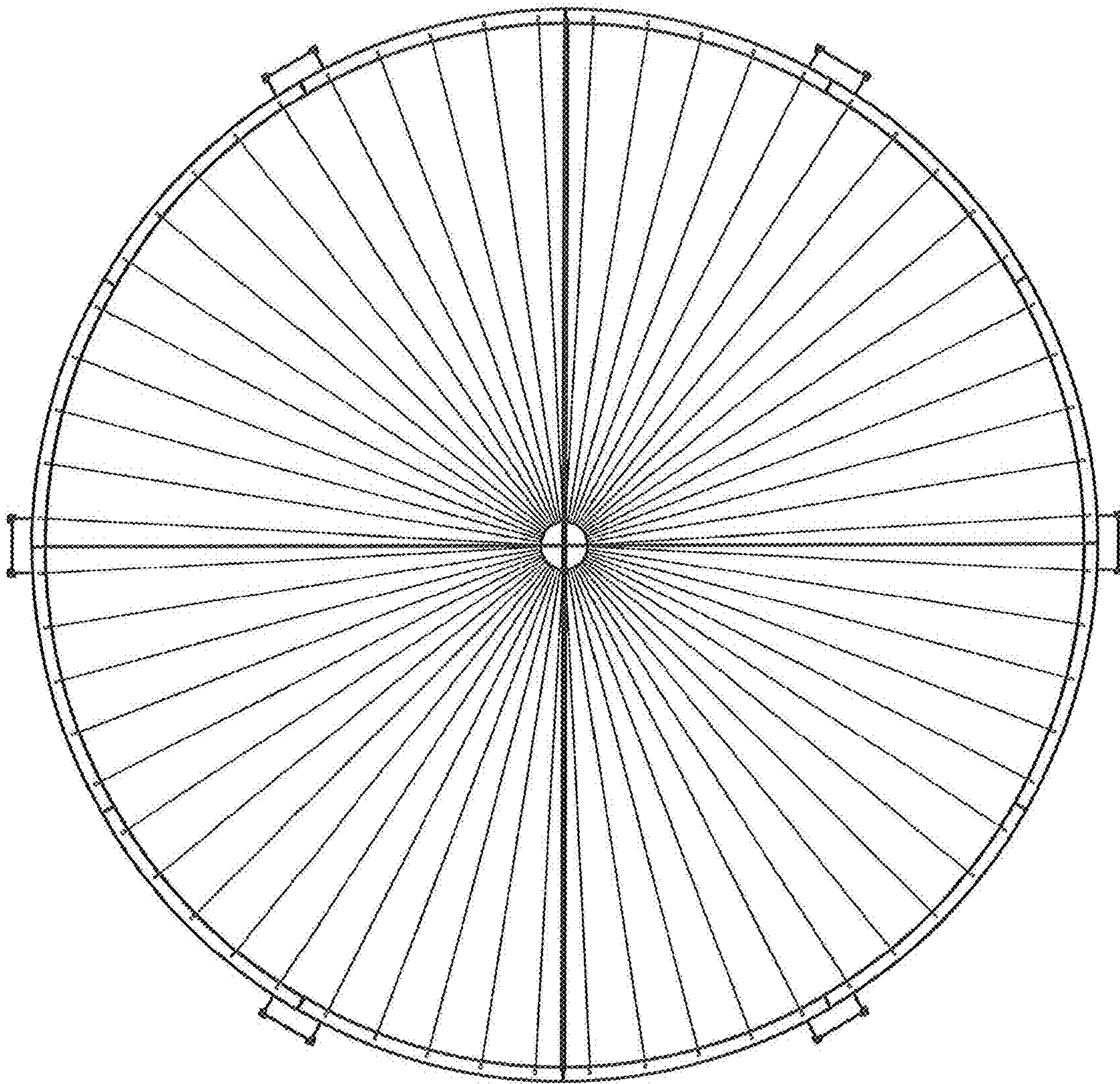


Fig. 8