



US00D851279S

(12) **United States Design Patent**  
**Springborn**

(10) **Patent No.:** **US D851,279 S**  
(45) **Date of Patent:** **\*\* Jun. 11, 2019**

- (54) **FENCING MIDDLE RAIL**
- (71) Applicant: **Russell H. Springborn**, Howell, MI (US)
- (72) Inventor: **Russell H. Springborn**, Howell, MI (US)
- (\*\*) Term: **15 Years**
- (21) Appl. No.: **29/618,692**
- (22) Filed: **Sep. 22, 2017**
- (51) **LOC (11) Cl.** ..... **25-02**
- (52) **U.S. Cl.**  
USPC ..... **D25/38.1**
- (58) **Field of Classification Search**  
USPC ..... D25/38.1, 41.1, 42, 43, 44, 119–126, D25/131, 132, 164, 199; D34/28, 29  
CPC ..... E04F 11/18; E04F 11/181; E04F 11/1802; E04F 11/1808; E04F 11/1834; E04F 11/1836; E04F 11/1842; E04F 11/1865; E04H 2017/1447; E04H 2017/1478; E04H 2017/1482; E04H 17/20; E04H 17/1421; E04H 17/1443; B66C 7/02; E01F 15/0453; B63B 17/04  
See application file for complete search history.

- D574,509 S \* 8/2008 Koch ..... B66C 7/02 D25/38.1
- D611,169 S 3/2010 Harder
- D631,171 S 1/2011 Konrad
- 7,913,960 B1 \* 3/2011 Herr, III ..... E04F 11/181 16/221
- 8,167,275 B1 \* 5/2012 Bizzarri ..... E04F 11/181 256/65.08
- D661,813 S 6/2012 Walker
- D734,495 S 7/2015 Wälde
- D795,454 S \* 8/2017 Curtin ..... D25/119
- D819,833 S \* 6/2018 Chapman ..... D25/60
- 2016/0362908 A1 12/2016 Springborn

**FOREIGN PATENT DOCUMENTS**

- WO D054832-006 3/2001
- \* cited by examiner

*Primary Examiner* — Leanne Was-Englehart  
(74) *Attorney, Agent, or Firm* — Dykema Gossett PLLC

(57) **CLAIM**

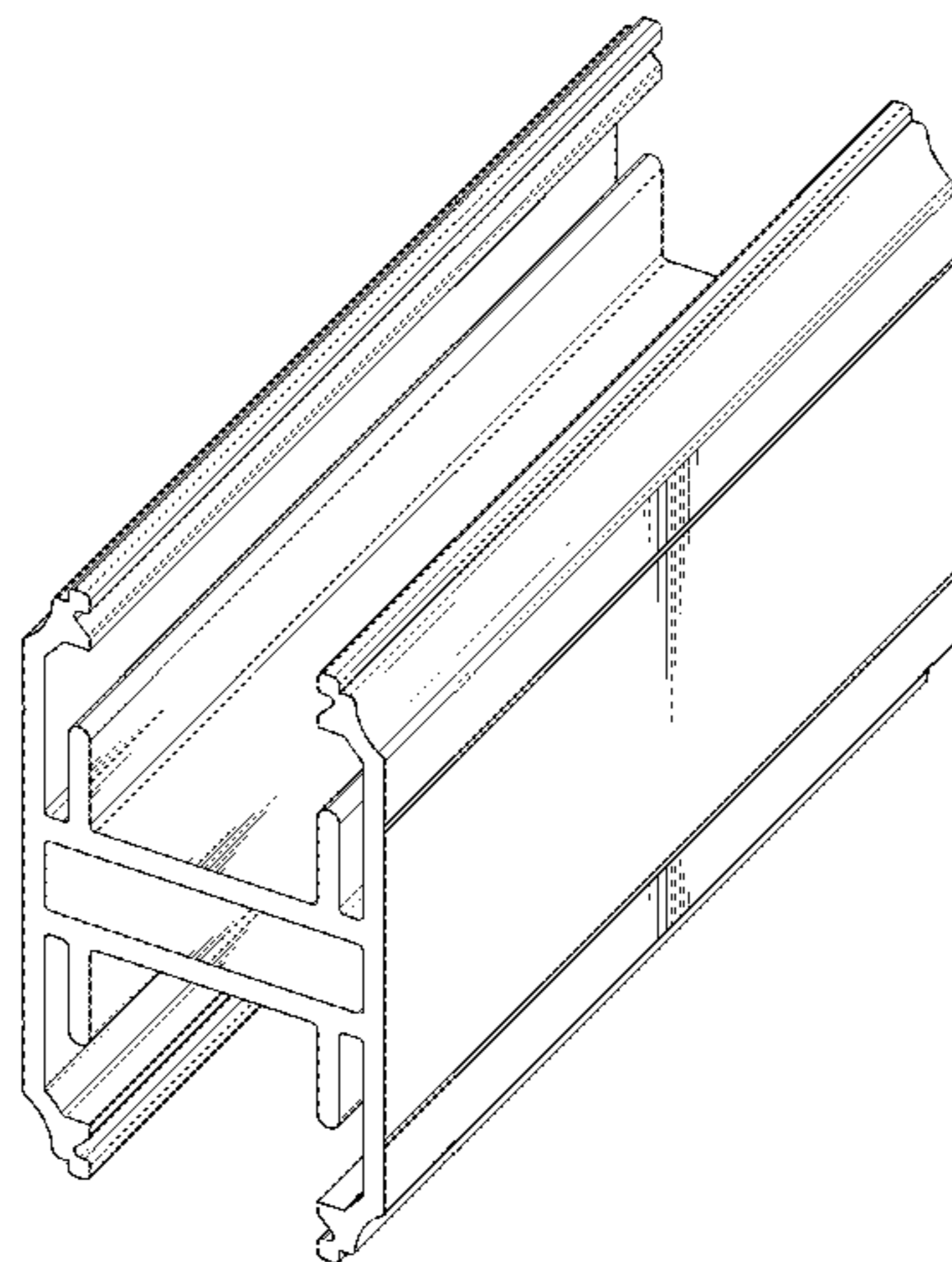
The ornamental design for a fencing middle rail, as shown and described.

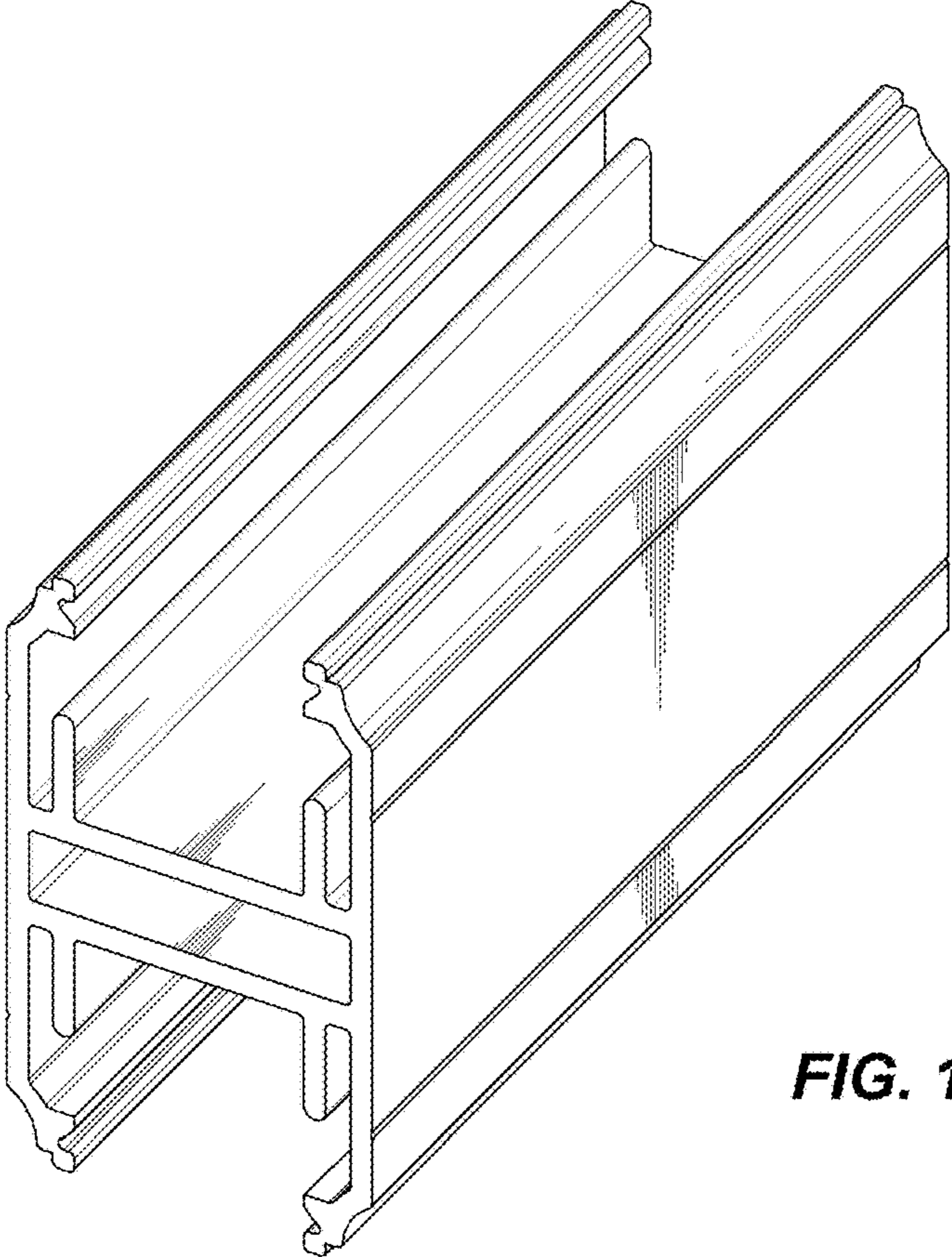
**DESCRIPTION**

This application is related to U.S. design application Ser. No. 29/618,704 filed 22 Sep. 2017 and U.S. design application Ser. No. 29/618,695, filed 22 Sep. 2017.  
FIG. 1 is a top, perspective view of a fencing middle rail; FIG. 2 is a bottom, perspective view of the fencing middle rail; FIG. 3 is a right, end view of the fencing middle rail; FIG. 4 is a left, end view of the fencing middle rail; FIG. 5 is a top, plan view of the fencing middle rail; FIG. 6 is a bottom, plan view of the fencing middle rail; FIG. 7 is a right, side view of the fencing middle rail; and, FIG. 8 is a left, side view of the fencing middle rail.

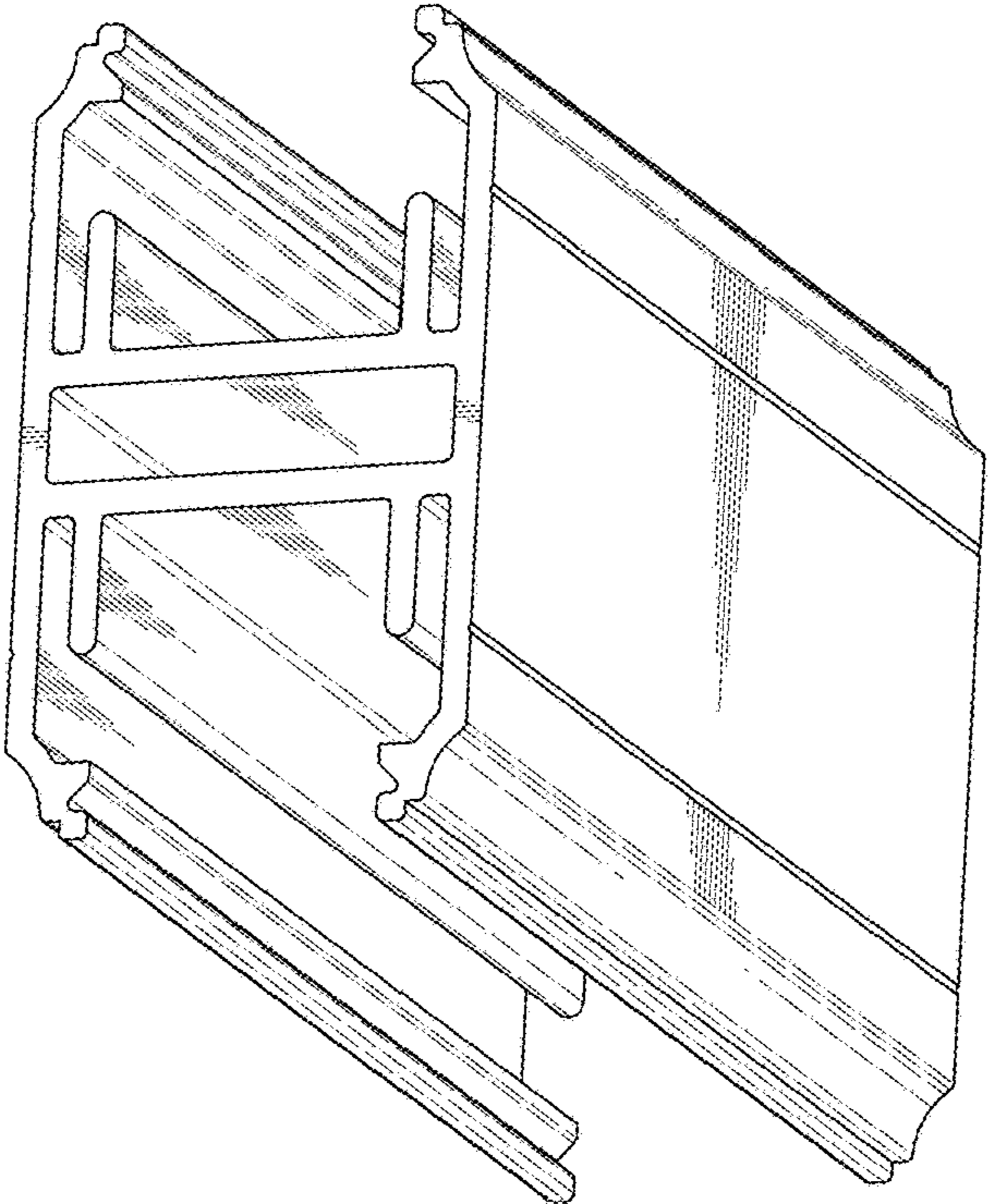
**1 Claim, 4 Drawing Sheets**

- (56) **References Cited**  
U.S. PATENT DOCUMENTS
- D259,810 S \* 7/1981 Dallaire ..... D25/122
- D348,525 S \* 7/1994 Dallaire ..... D25/123
- D378,424 S 3/1997 Leonelli
- D382,651 S 8/1997 Colitto
- D382,652 S 8/1997 Colitto
- D446,315 S 8/2001 Forbis
- D487,158 S 2/2004 Forbis
- D490,543 S 5/2004 Forbis
- D509,594 S 9/2005 Curtas et al.
- D536,098 S 1/2007 Walker
- D572,372 S \* 7/2008 Koch ..... B66C 7/02 D25/38.1

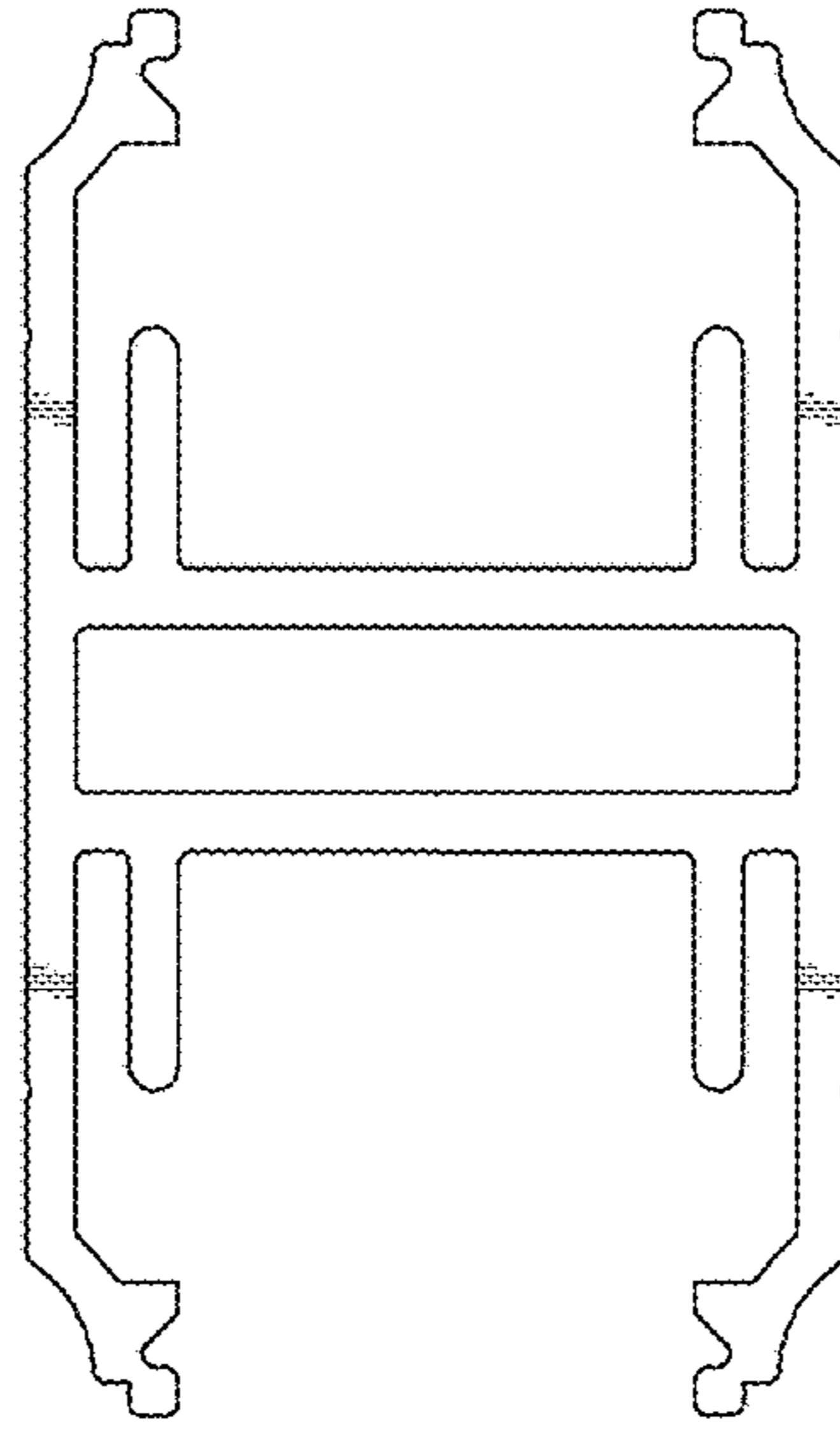




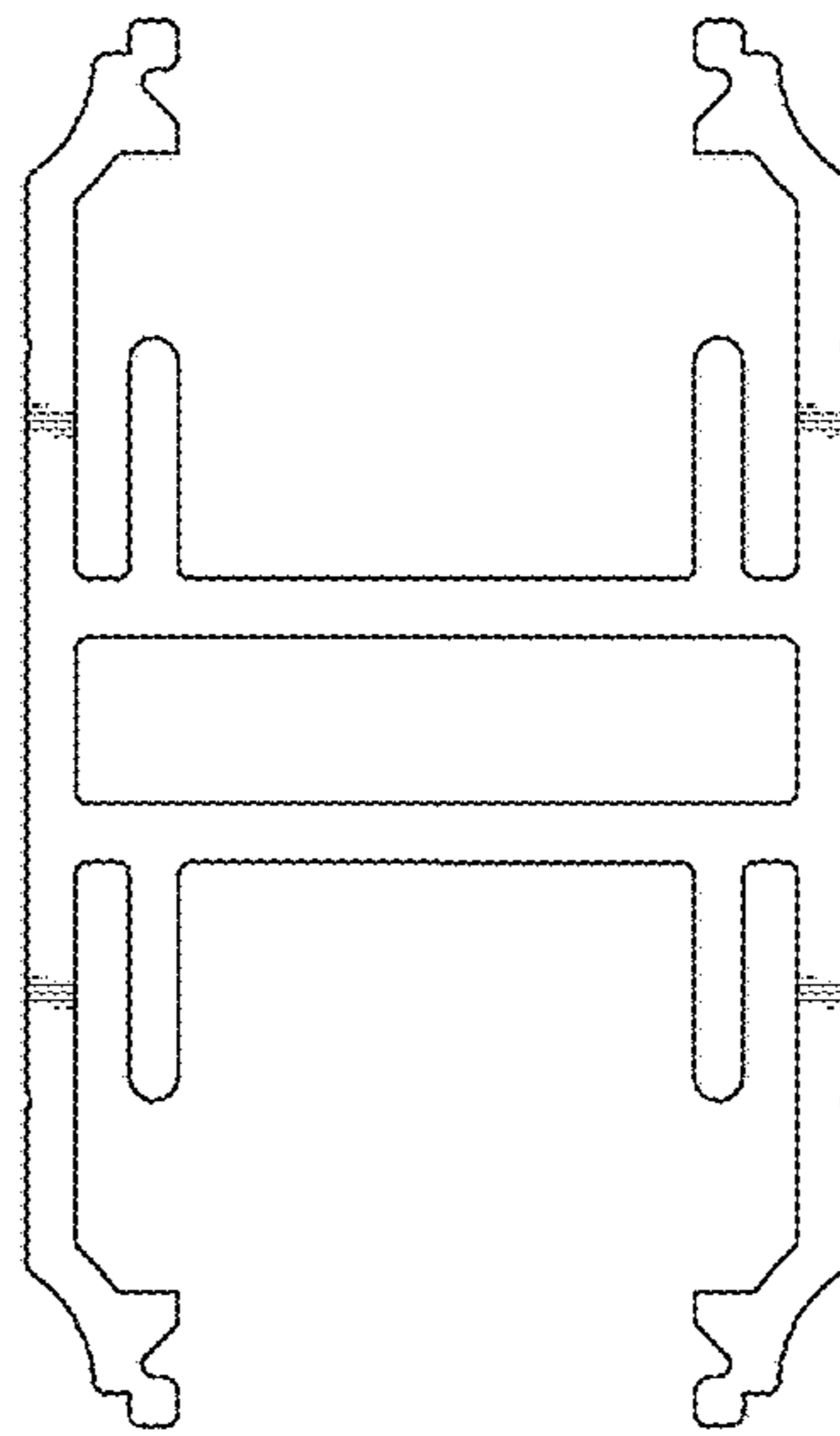
**FIG. 1**



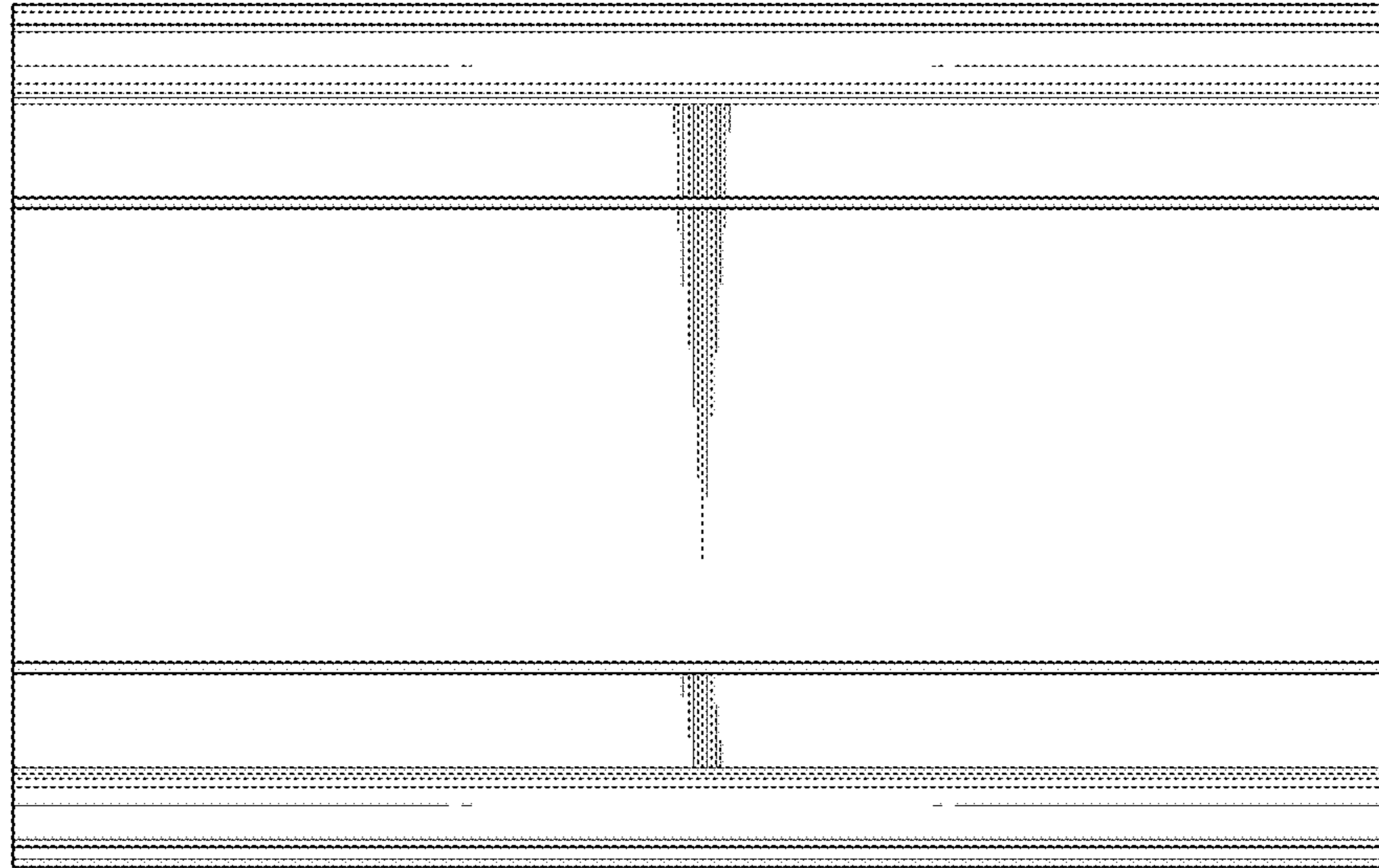
**FIG. 2**



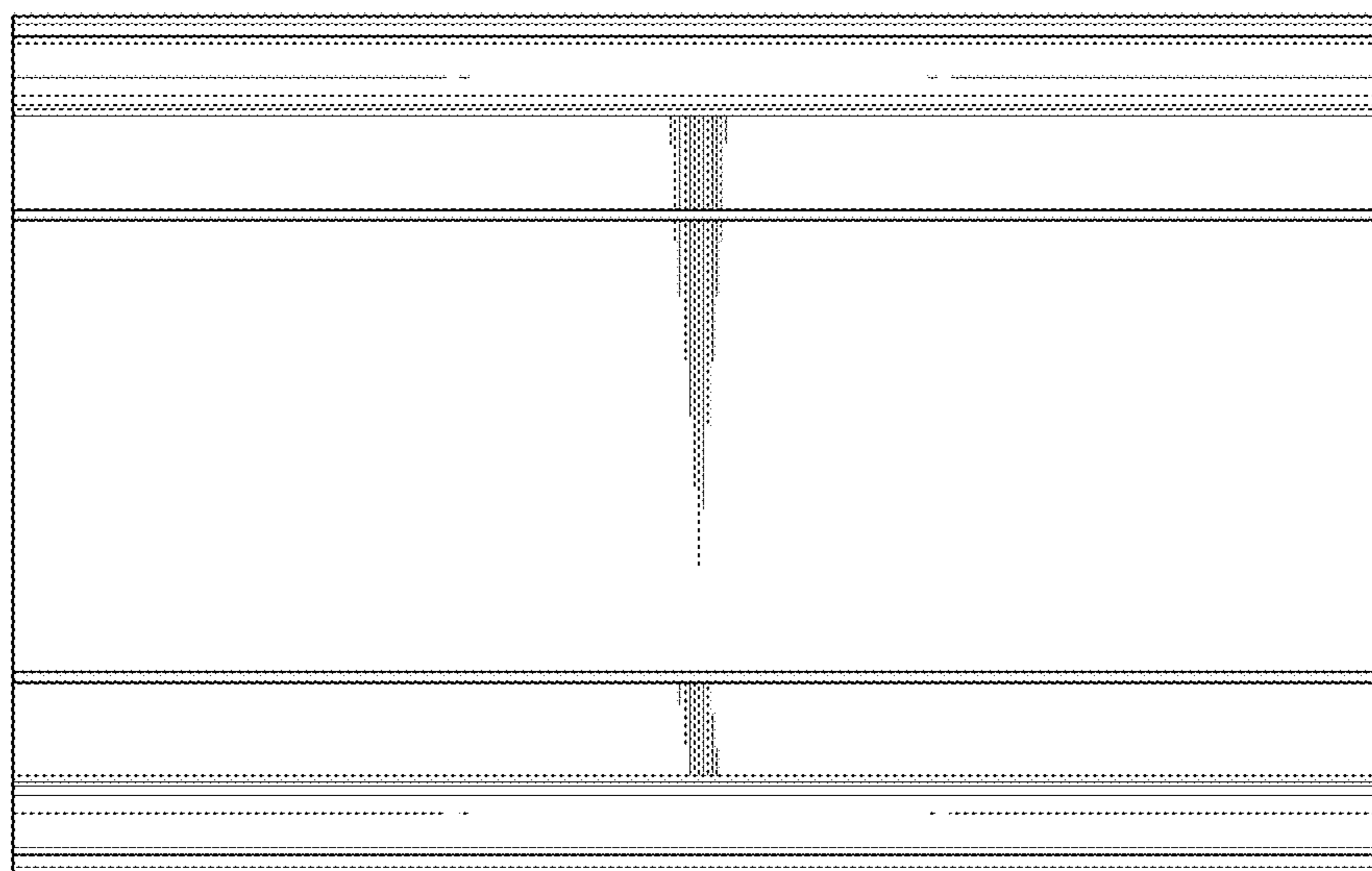
**FIG. 3**



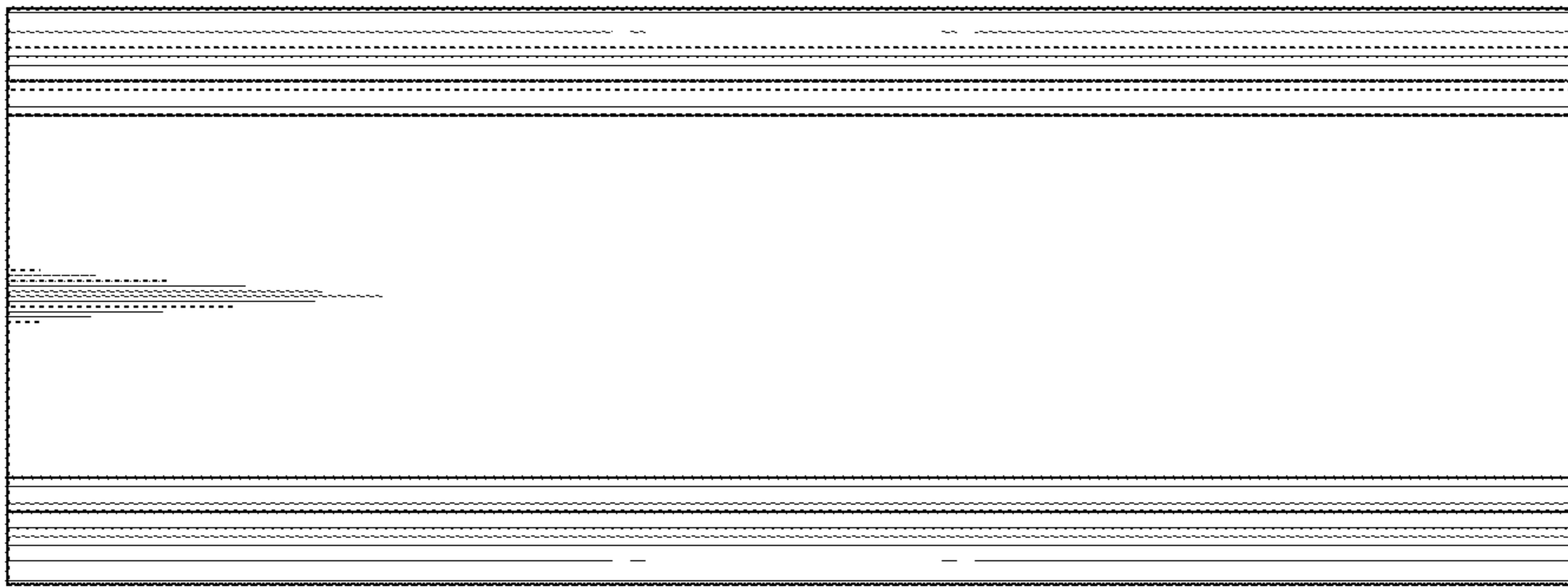
**FIG. 4**



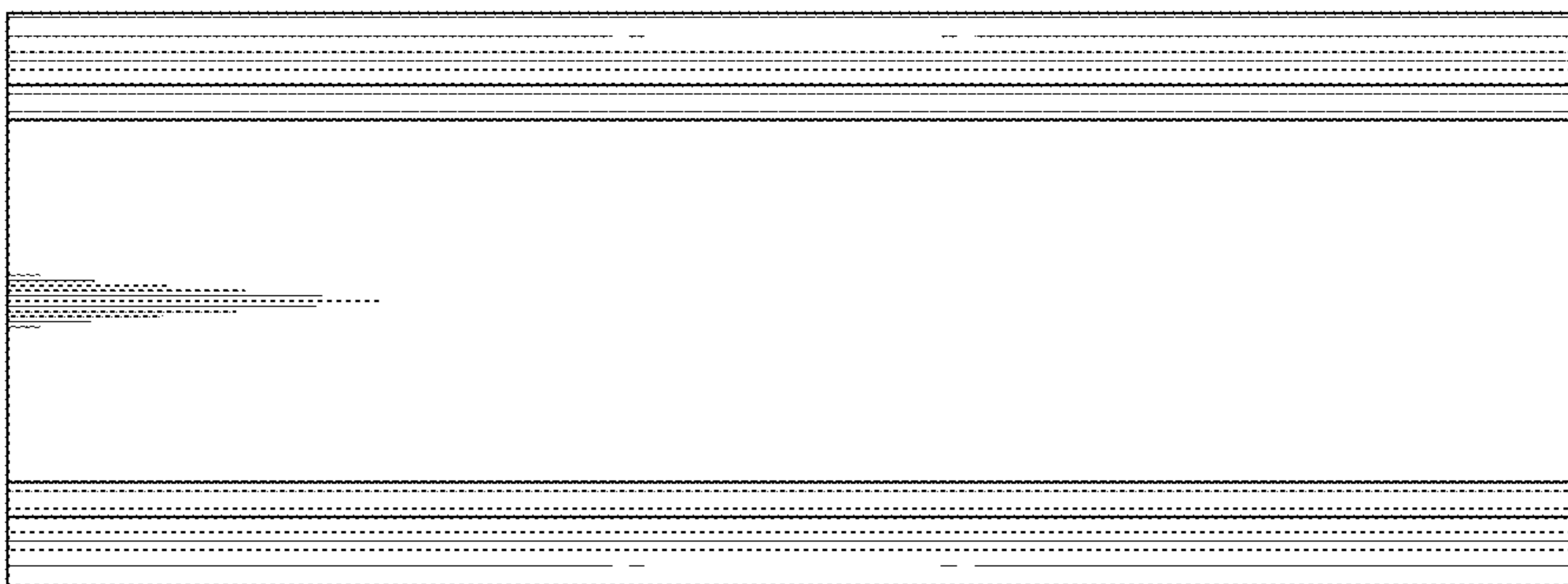
**FIG. 5**



**FIG. 6**



**FIG. 7**



**FIG. 8**