



US00D851275S

(12) **United States Design Patent**  
**Spuhler et al.**

(10) **Patent No.:** **US D851,275 S**

(45) **Date of Patent:** **\*\* Jun. 11, 2019**

(54) **CARTRIDGE**

(71) Applicant: **Cellular Research, Inc.**, Menlo Park, CA (US)

(72) Inventors: **Philipp S. Spuhler**, Redwood City, CA (US); **Sixing Li**, Mountain View, CA (US); **Christopher G. Cesar**, Menlo Park, CA (US); **Geoffrey R. Facer**, Redwood City, CA (US); **Janice H. Lai**, Mountain View, CA (US)

(73) Assignee: **Cellular Research, Inc.**, Menlo Park, CA (US)

(\*\*) Term: **15 Years**

(21) Appl. No.: **29/614,032**

(22) Filed: **Aug. 15, 2017**

(51) **LOC (11) Cl.** ..... **24-01**

(52) **U.S. Cl.**

USPC ..... **D24/225**

(58) **Field of Classification Search**

USPC ..... D24/216, 223-233, 186, 107; D10/81

CPC .... B01L 3/5027; B01L 3/502707; B01L 9/52;

B01L 9/523; B01L 9/527; B01L

2300/0609; B01L 2300/0809; B01L

2300/0877; B01L 2200/027

See application file for complete search history.

(56) **References Cited**

**U.S. PATENT DOCUMENTS**

D302,294 S \* 7/1989 Hillman ..... D24/223

D384,164 S \* 9/1997 Leiva ..... D24/223

D404,497 S \* 1/1999 Lahm ..... D24/224  
D631,556 S \* 1/2011 Shi ..... D24/225  
D636,891 S \* 4/2011 Nicholls ..... D24/225  
D636,893 S \* 4/2011 Nicholls ..... D24/225  
D738,524 S \* 9/2015 Kikuhara ..... D24/216  
D812,767 S \* 3/2018 Osmus ..... D24/225  
2013/0156644 A1 \* 6/2013 Lee ..... B01L 3/5027  
422/69  
2016/0289669 A1 \* 10/2016 Fan ..... B01L 3/502715  
2018/0200710 A1 7/2018 Spuhler

\* cited by examiner

*Primary Examiner* — Anhdao Doan

(74) *Attorney, Agent, or Firm* — Knobbe, Martens Olson & Bear, LLP

(57) **CLAIM**

The ornamental design for a cartridge, as shown and described.

**DESCRIPTION**

FIG. 1 is a top perspective view of an embodiment of a cartridge embodying the new design.

FIG. 2 is a first side view thereof.

FIG. 3 is a second side view thereof taken from the opposite side of FIG. 2.

FIG. 4 is a third side view thereof.

FIG. 5 is a fourth side view thereof taken from the opposite side of FIG. 4.

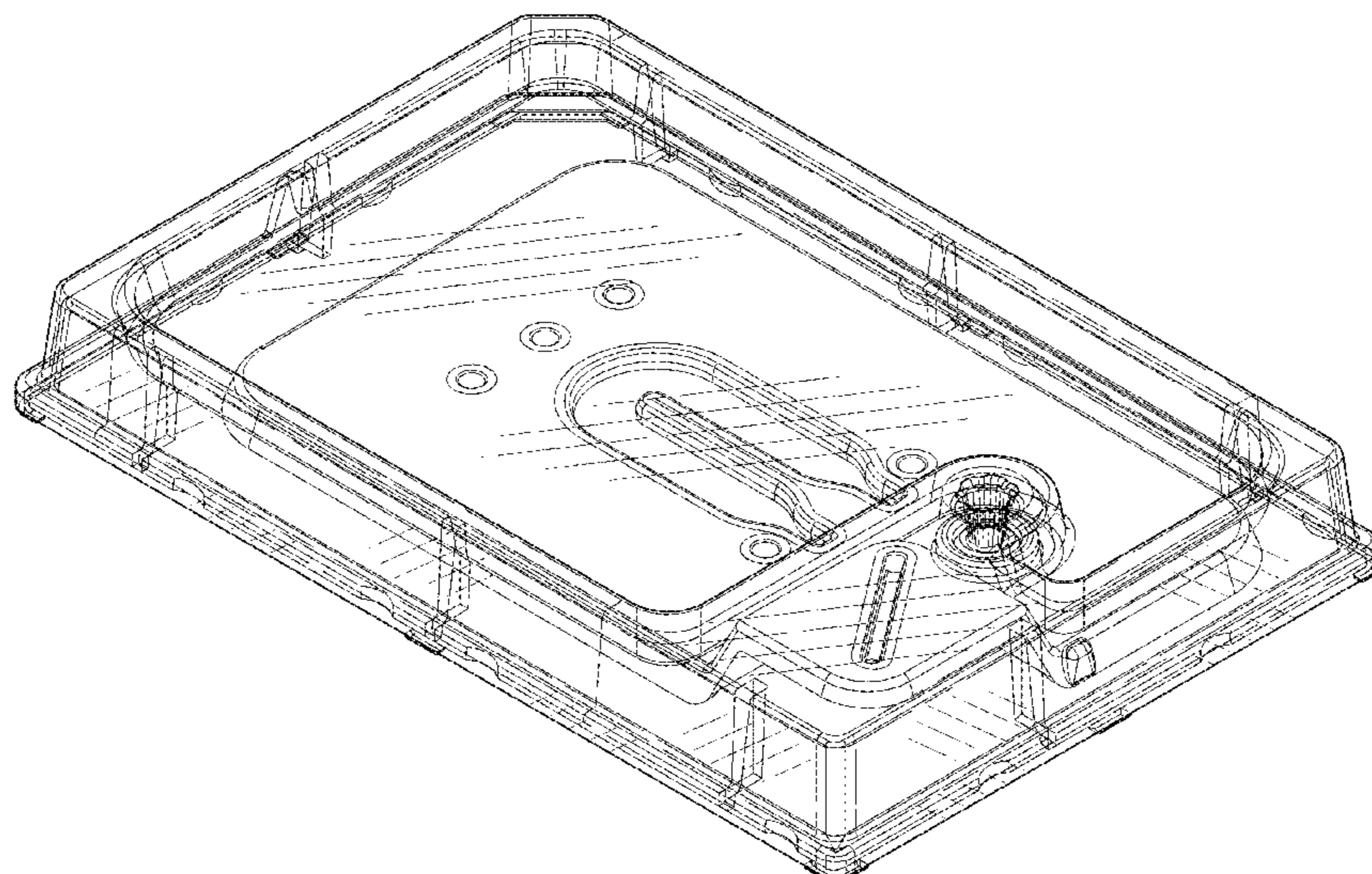
FIG. 6 is a top view thereof.

FIG. 7 is a bottom view thereof.

FIG. 8 is a bottom perspective view thereof; and,

FIG. 9 is an exploded view thereof.

**1 Claim, 7 Drawing Sheets**



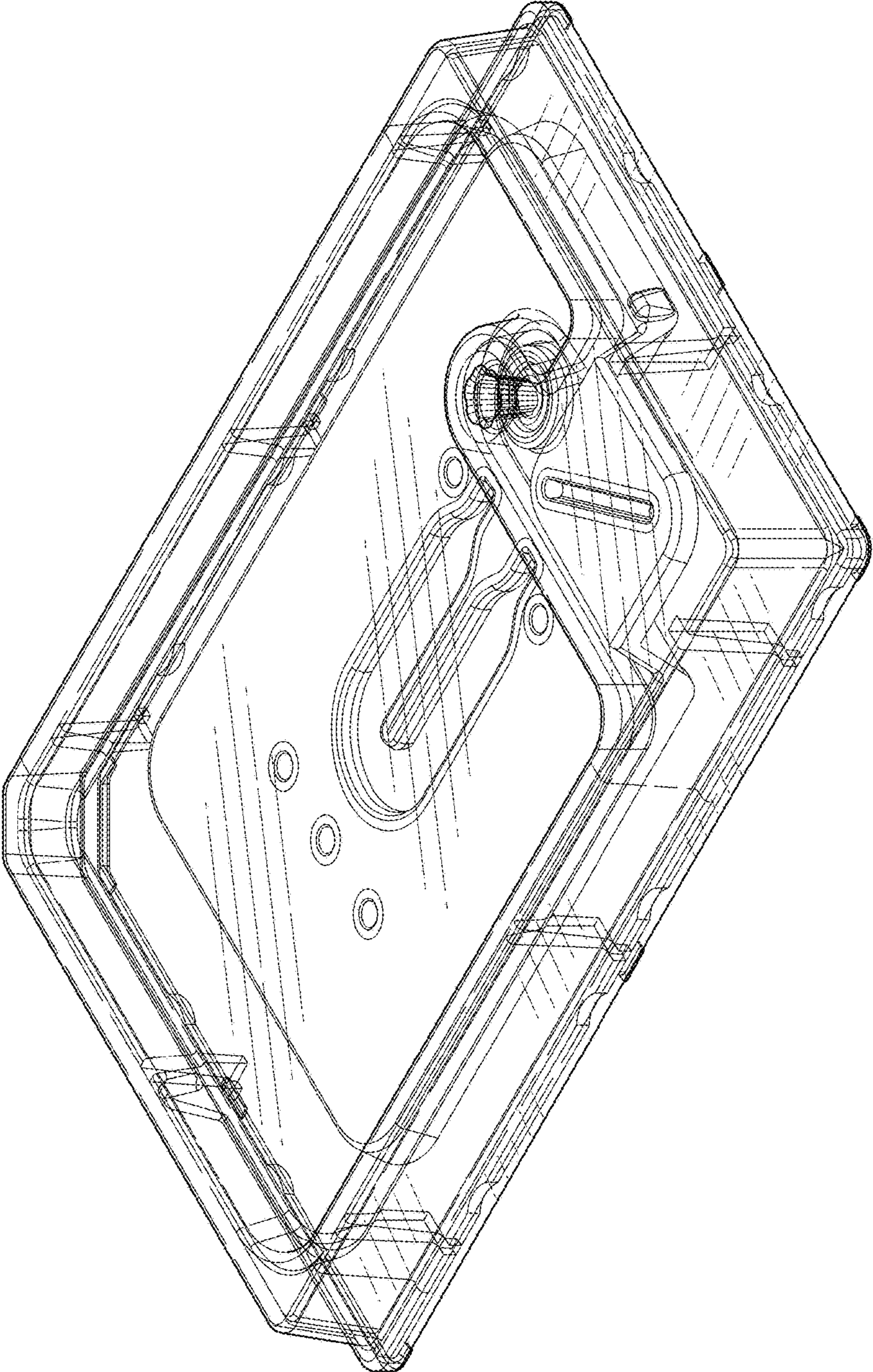


FIG. 1

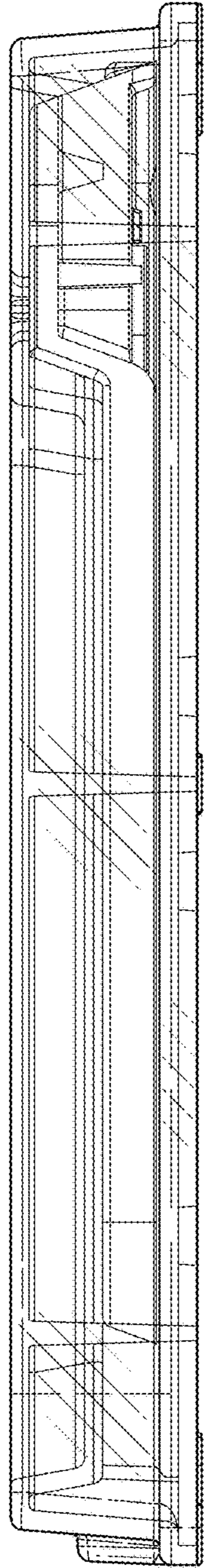


FIG. 2

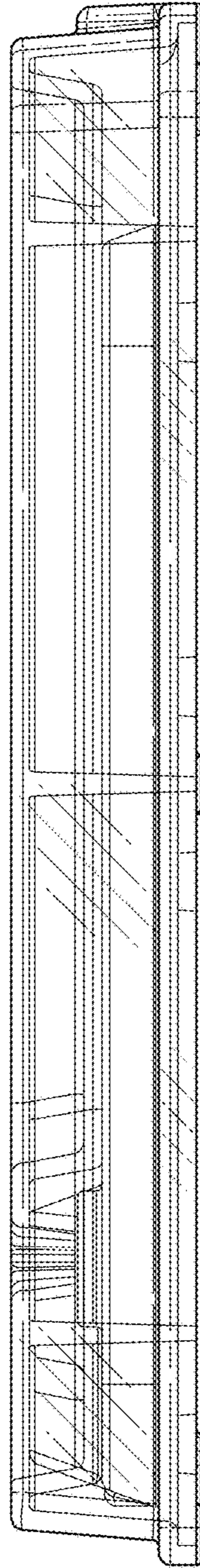


FIG. 3

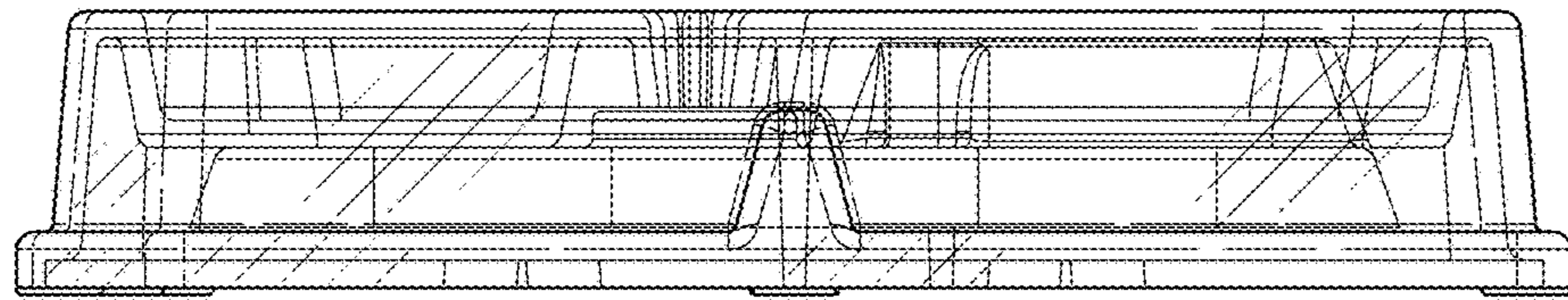


FIG. 4

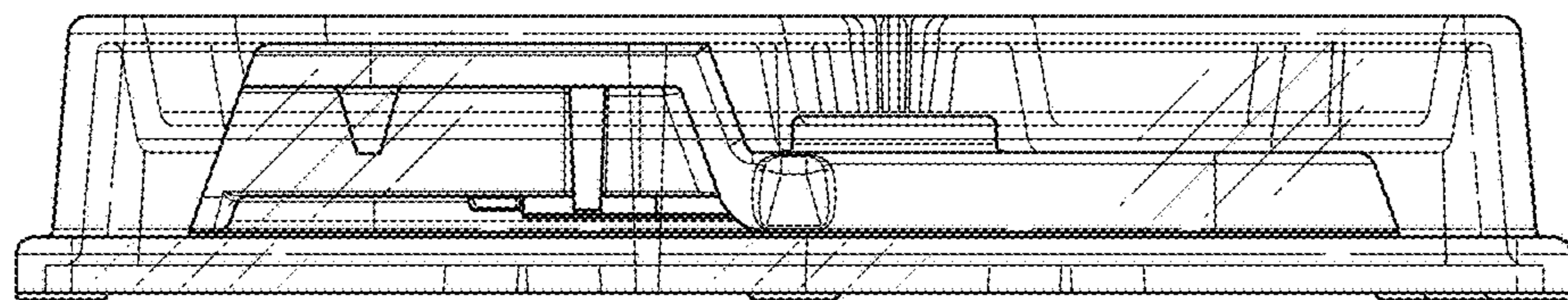


FIG. 5

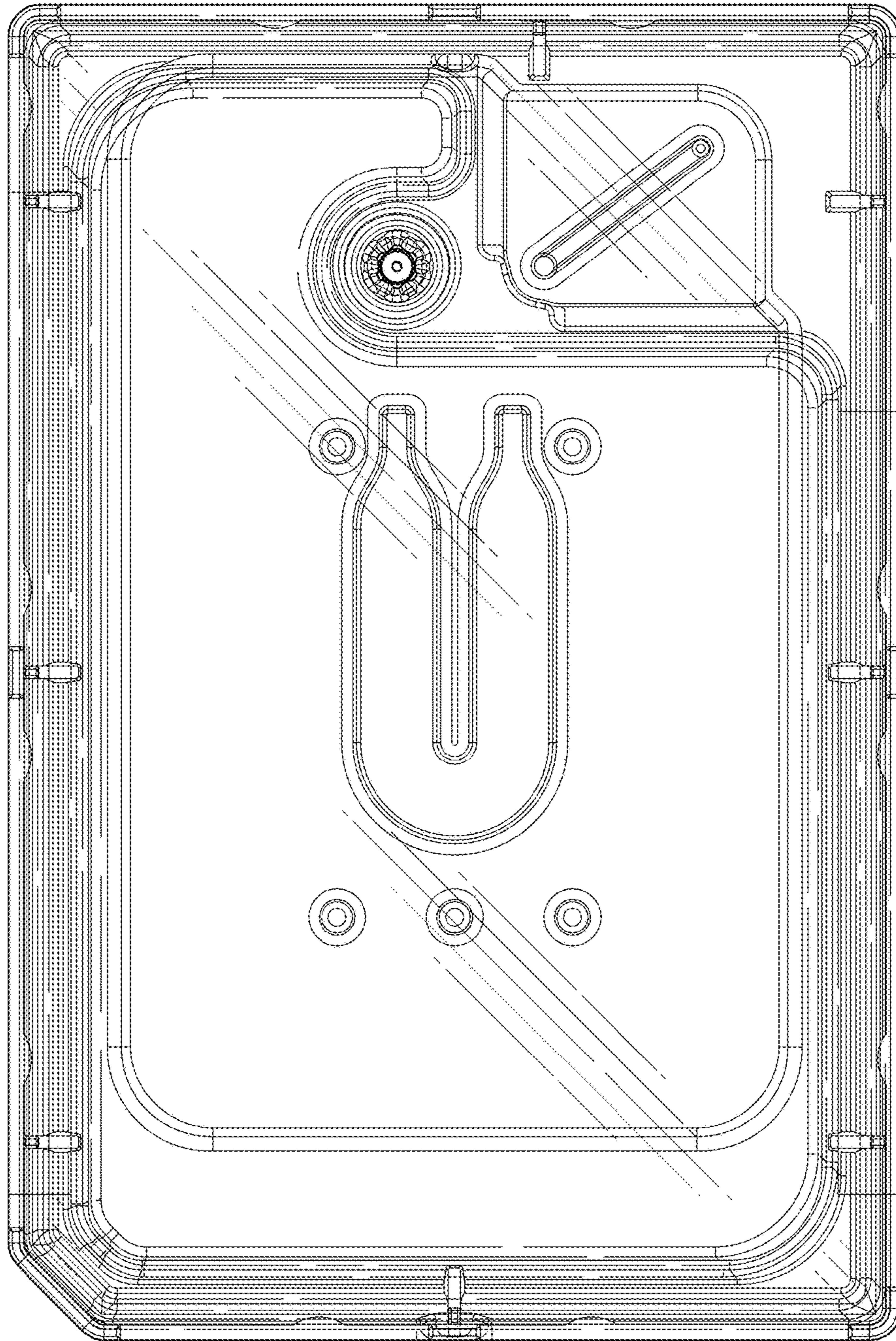


FIG. 6

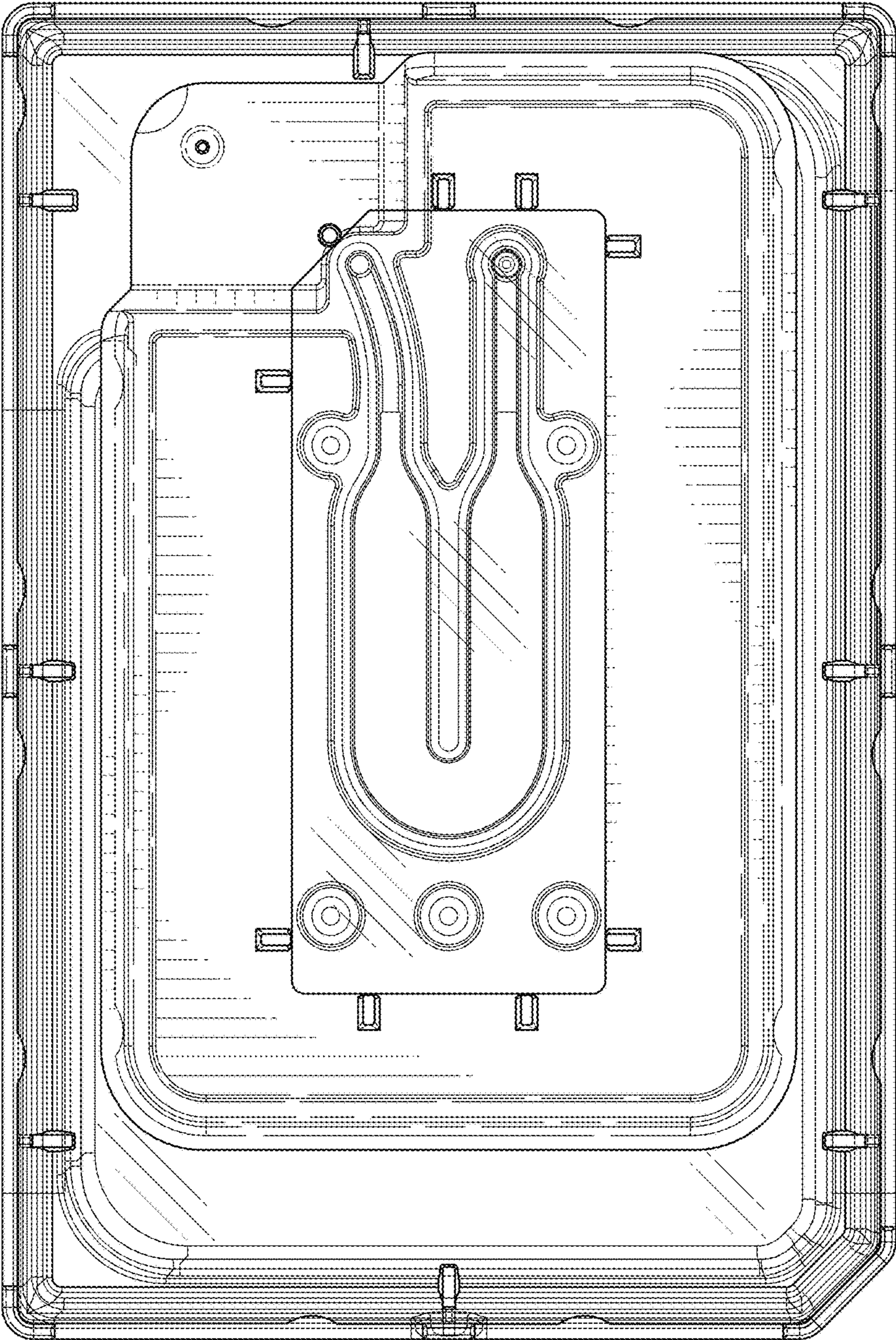


FIG. 7

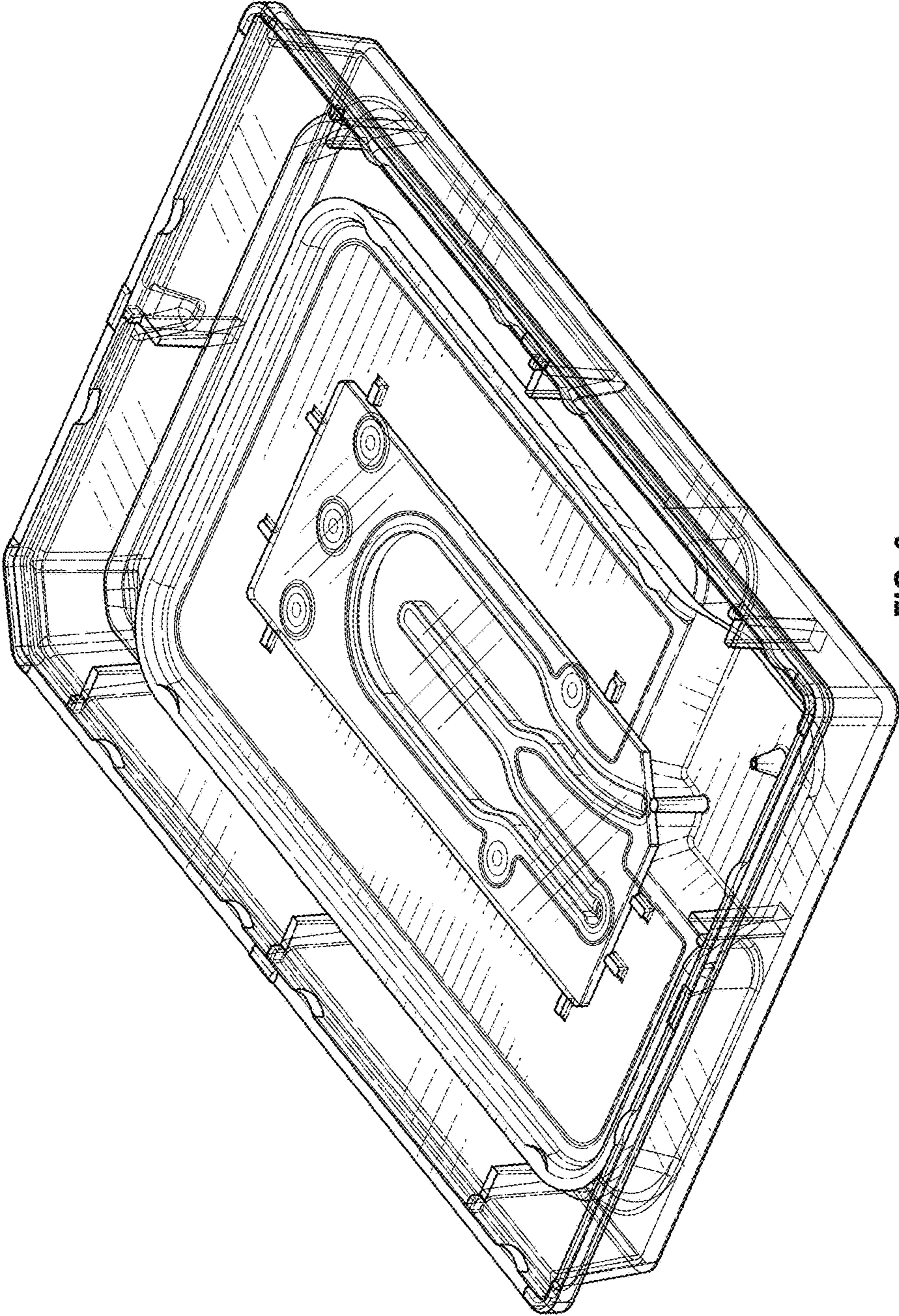


FIG. 8

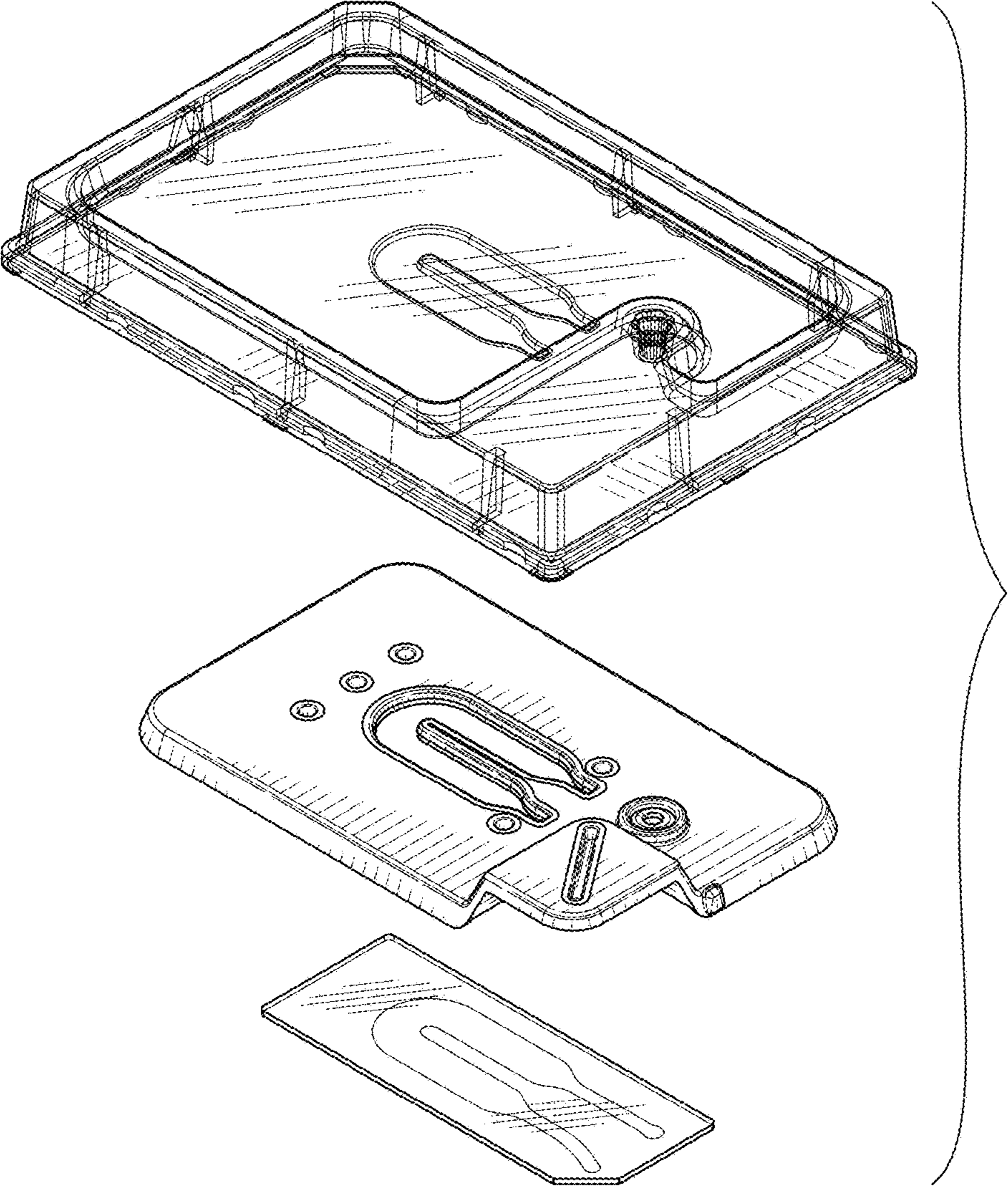


FIG. 9