



US00D851274S

(12) **United States Design Patent** (10) **Patent No.:** **US D851,274 S**
Gomi et al. (45) **Date of Patent:** **** Jun. 11, 2019**

(54) **CULTURE TRAY**

FOREIGN PATENT DOCUMENTS

(71) Applicant: **TOKYO ELECTRON LIMITED**,
Tokyo (JP)
(72) Inventors: **Hisashi Gomi**, Nirasaki (JP); **Yusuke Yoda**, Tokyo (JP); **Hirotsugu Shiraiwa**,
Tokyo (JP)
(73) Assignee: **SINFONIA TECHNOLOGY CO., LTD.**, Minato-Ku, Tokyo (JP)

WO WO-2017111054 A1 * 6/2017 C12M 1/00
Primary Examiner — Sheryl Lane
Assistant Examiner — Calvin E Vansant
(74) *Attorney, Agent, or Firm* — Leydig, Voit & Mayer

(57) **CLAIM**

The ornamental design for a culture tray, as shown and described.

(**) Term: **15 Years**

DESCRIPTION

(21) Appl. No.: **35/504,854**

- 1. Culture tray
- 1.1 : Perspective
- 1.2 : Front
- 1.3 : Back
- 1.4 : Top
- 1.5 : Bottom
- 1.6 : Left
- 1.7 : Right
- 1.8 : Partial enlarged perspective view
- 1.9 : Partial enlarged perspective view
- 1.10 : Partial enlarged top view
- 1.11 : Partial enlarged top view
- 1.12 : Partial enlarged top view
- 1.13 : Partial enlarged cross-sectional view
- 1.14 : Partial enlarged cross-sectional view
- 1.15 : Partial enlarged cross-sectional view
- 1.16 : Partial enlarged cross-sectional view
- 1.17 : Reference view showing the state in use
- 1.18 : Reference view showing the state in use

(22) Filed: **Oct. 30, 2017**

(80) **Hague Agreement Data**

Int. Filing Date: **Oct. 30, 2017**
Int. Reg. No.: **DM/098411**
Int. Reg. Date: **Oct. 30, 2017**
Int. Reg. Pub. Date: **May 4, 2018**

(30) **Foreign Application Priority Data**

May 2, 2017 (JP) 2017-009735

(51) **LOC (11) Cl.** **24-02**

(52) **U.S. Cl.**
USPC **D24/224**

(58) **Field of Classification Search**
USPC D24/216, 224, 226, 227, 229
(Continued)

(56) **References Cited**

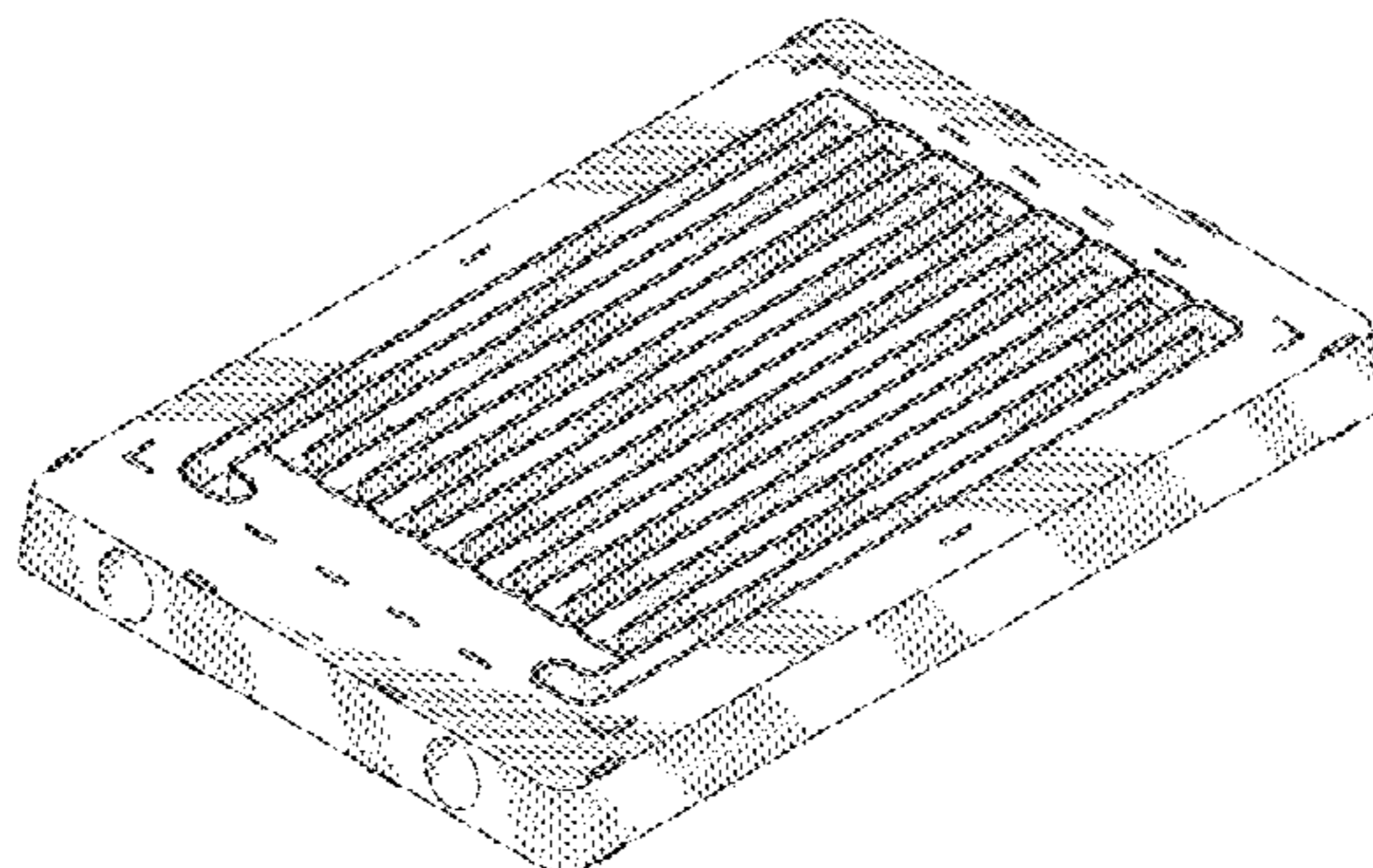
U.S. PATENT DOCUMENTS

D250,044 S * 10/1978 Mueller D24/216
4,415,086 A * 11/1983 Bennett, Jr. C12M 23/34
206/564

(Continued)

The present article is a tray for culturing cells that is covered with film when used; reproduction **1.13** is a partial enlarged cross-sectional view sectioned horizontally at the center of the top view; reproduction **1.14** is a partial enlarged cross-sectional view sectioned horizontally at the center of the top view; reproduction **1.15** is a partial enlarged cross-sectional view sectioned vertically through the injection/extraction part; reproduction **1.16** is a partial enlarged cross-sectional view sectioned vertically through the projections beside the injection/extraction part.

(Continued)



The broken line showing of portions of the culture tray is for the purpose of illustrating environment and forms no part of the claimed design.

1 Claim, 18 Drawing Sheets

(58) Field of Classification Search

CPC C12M 23/04; C12M 23/16
See application file for complete search history.

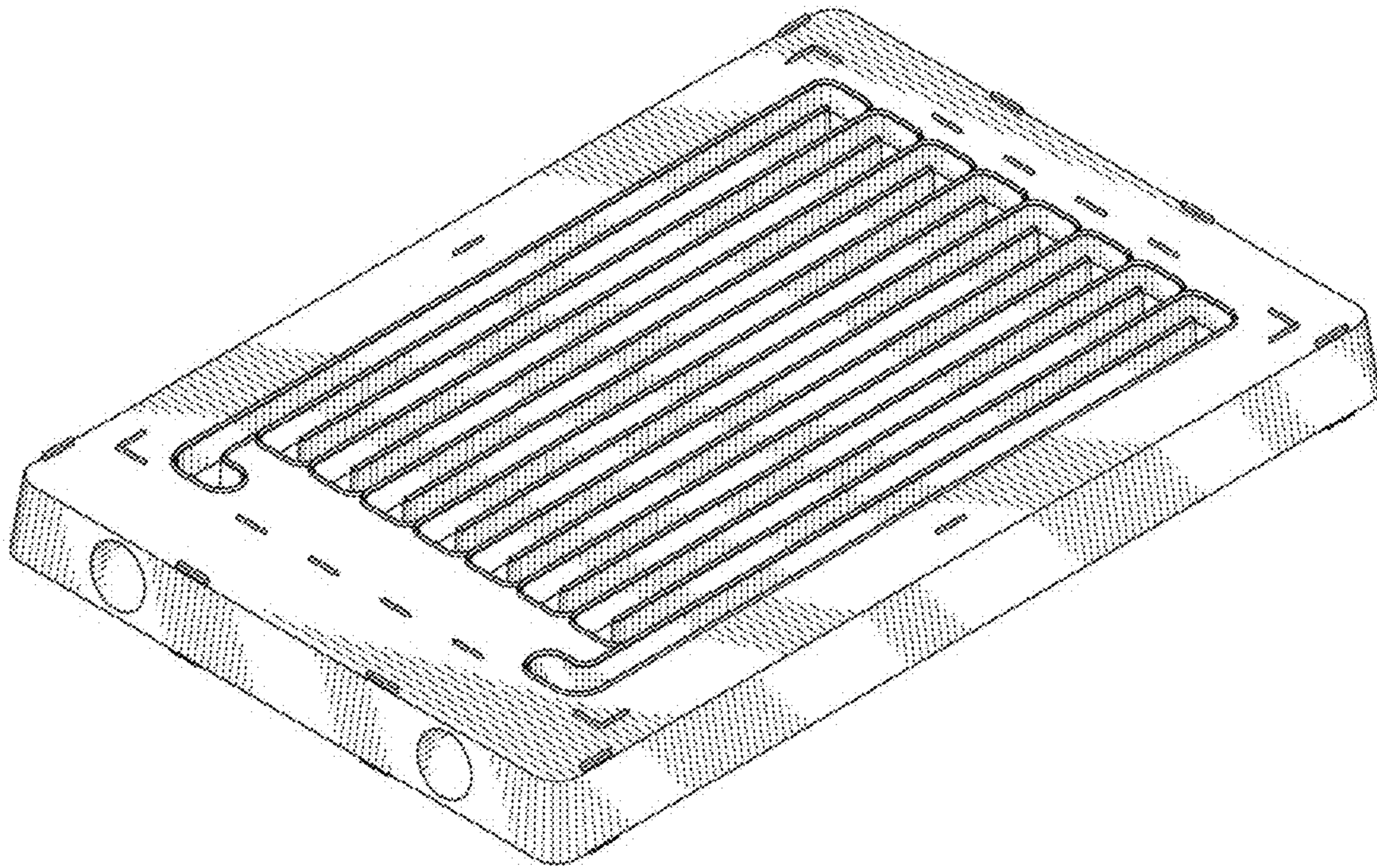
(56) References Cited

U.S. PATENT DOCUMENTS

D280,663 S * 9/1985 Albon C12M 23/38
D24/226
4,657,867 A * 4/1987 Guhl C12M 23/38
220/374
D303,711 S * 9/1989 DesRosier D24/226
4,988,583 A * 1/1991 Watkins H01M 8/0228
429/492
D420,743 S * 2/2000 Monks D24/224
D421,498 S * 3/2000 Livingston B01J 19/00
D24/224
6,432,663 B1 * 8/2002 Seip C12O 1/04
435/283.1
6,558,627 B1 * 5/2003 Hartz B01L 3/50851
422/553
7,485,454 B1 * 2/2009 Jury B01F 5/0256
435/286.7
D726,330 S * 4/2015 Hurst C12M 23/34
D24/227
2016/0355773 A1 * 12/2016 Kurakazu C12M 23/04
2017/0175067 A1 * 6/2017 Tachibana C12M 1/00
2018/0056298 A1 * 3/2018 Iwamoto B01J 19/00

* cited by examiner

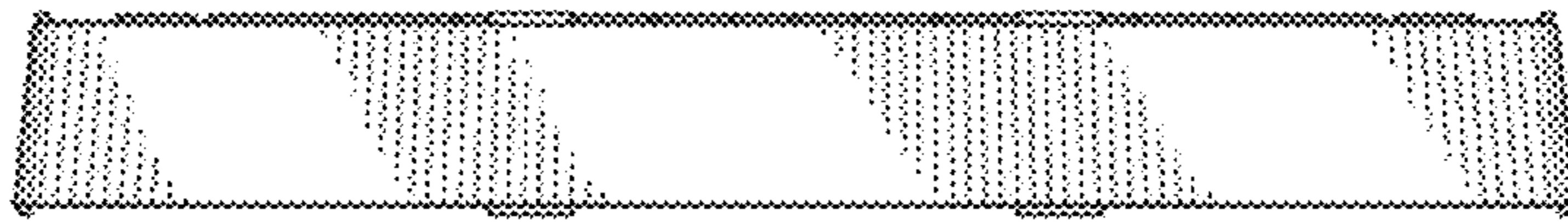
1.1



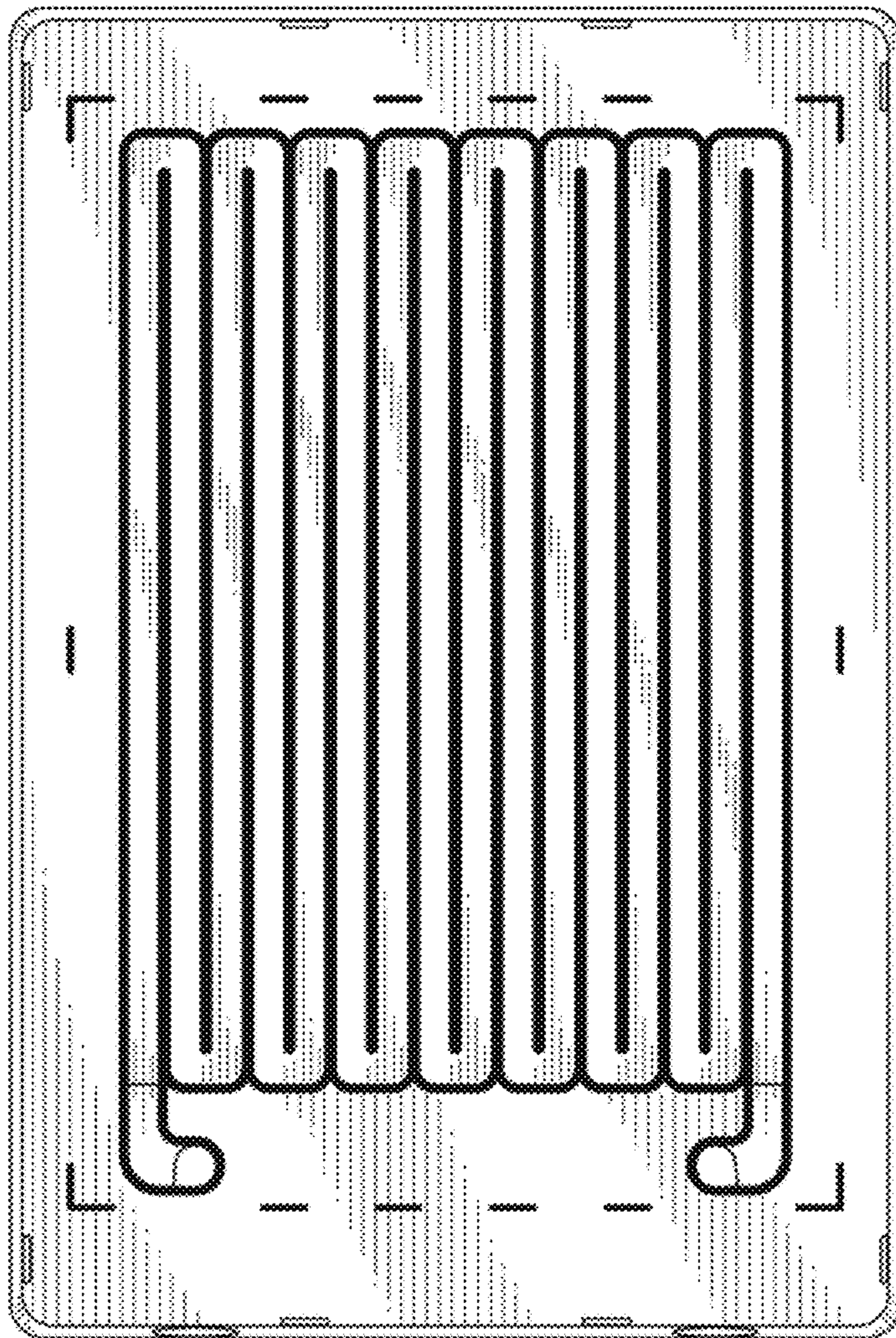
1.2



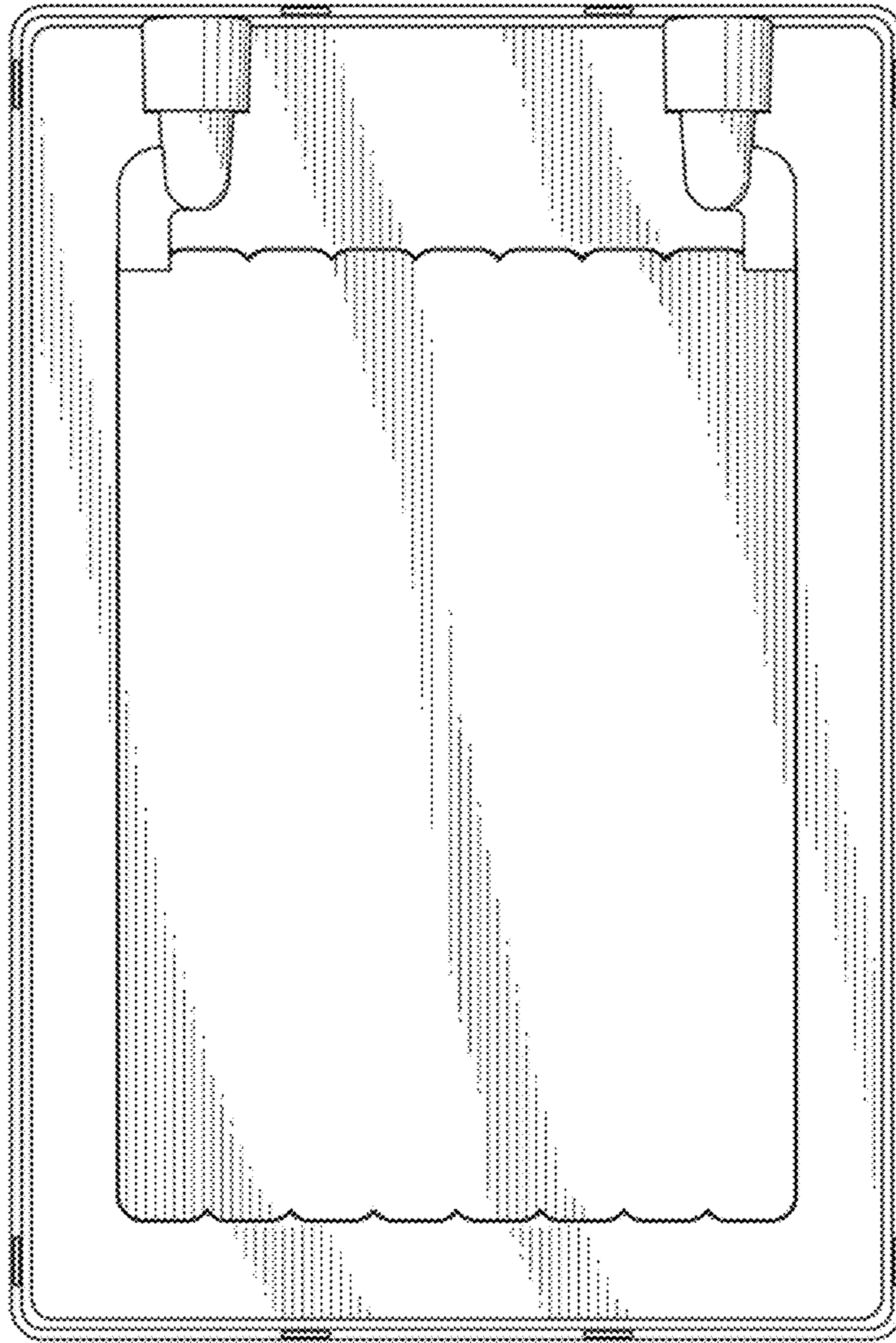
1.3



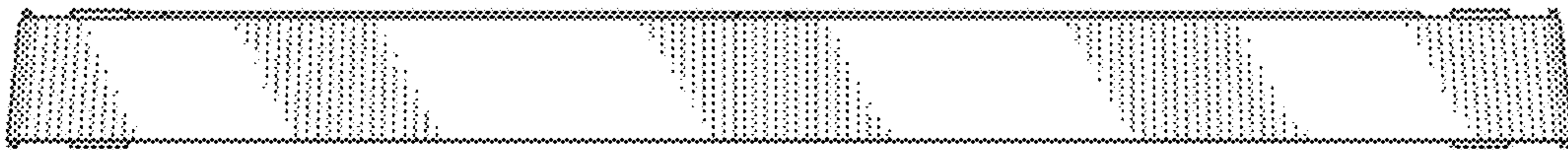
1.4



1.5



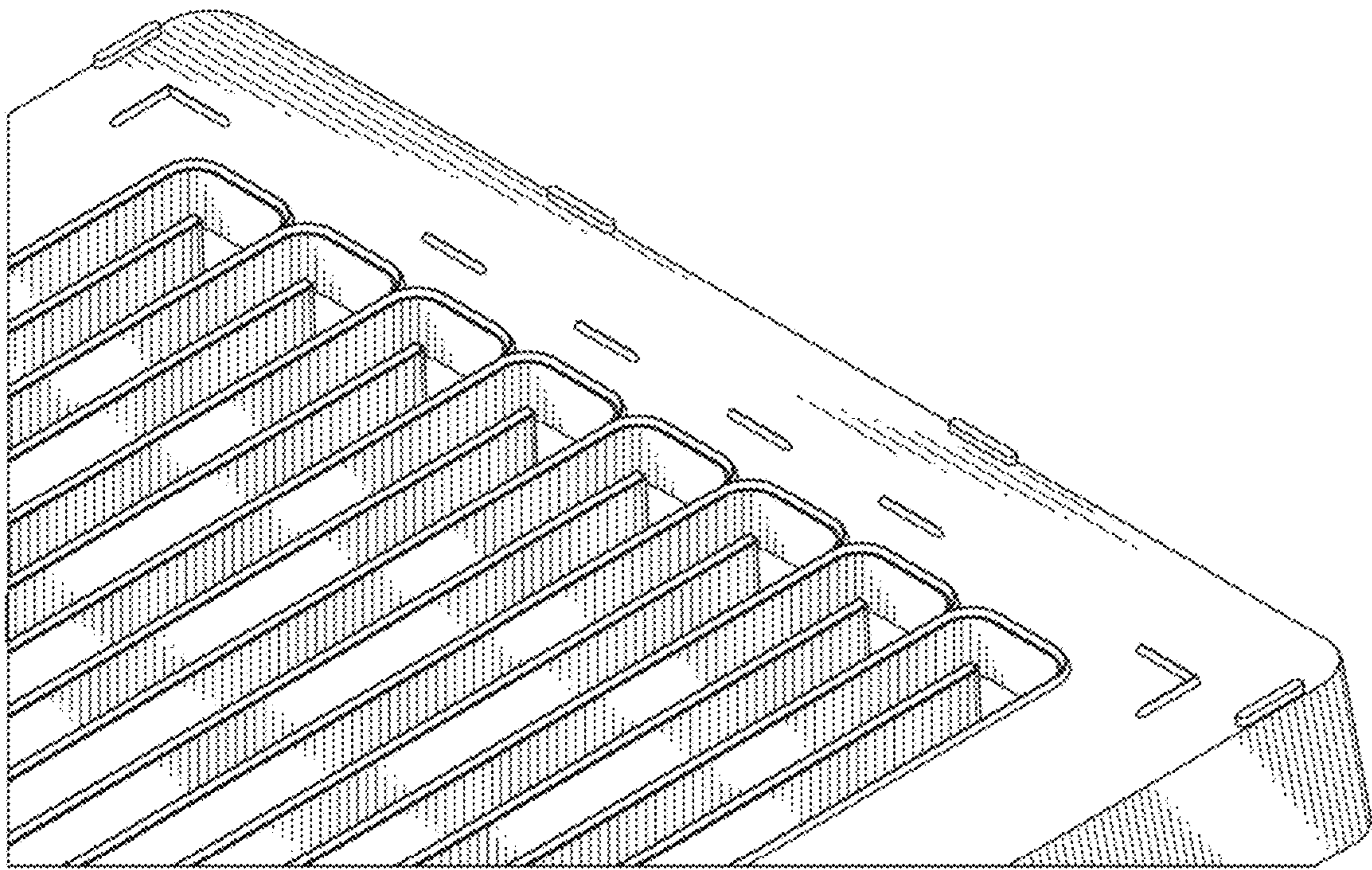
1.6



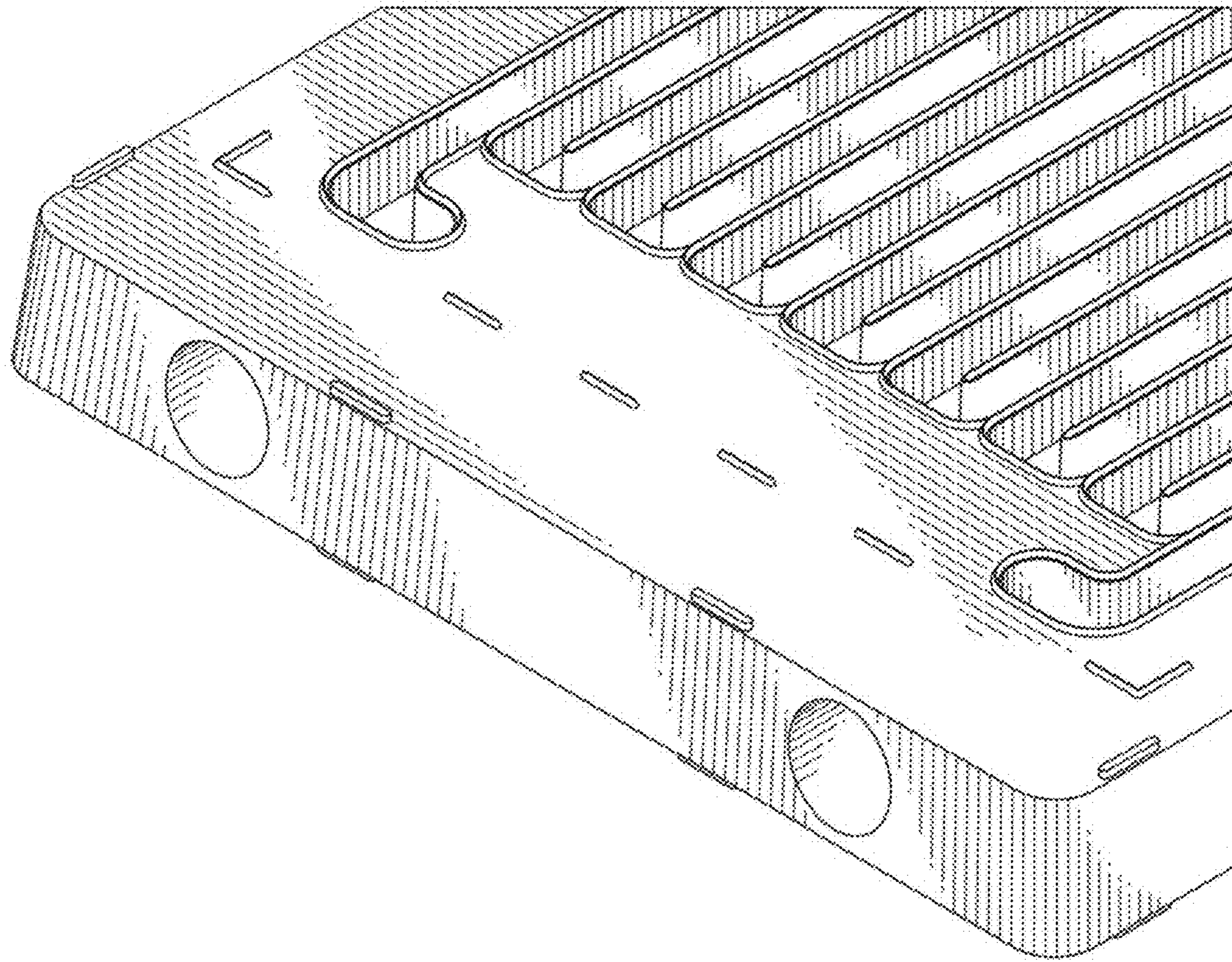
1.7



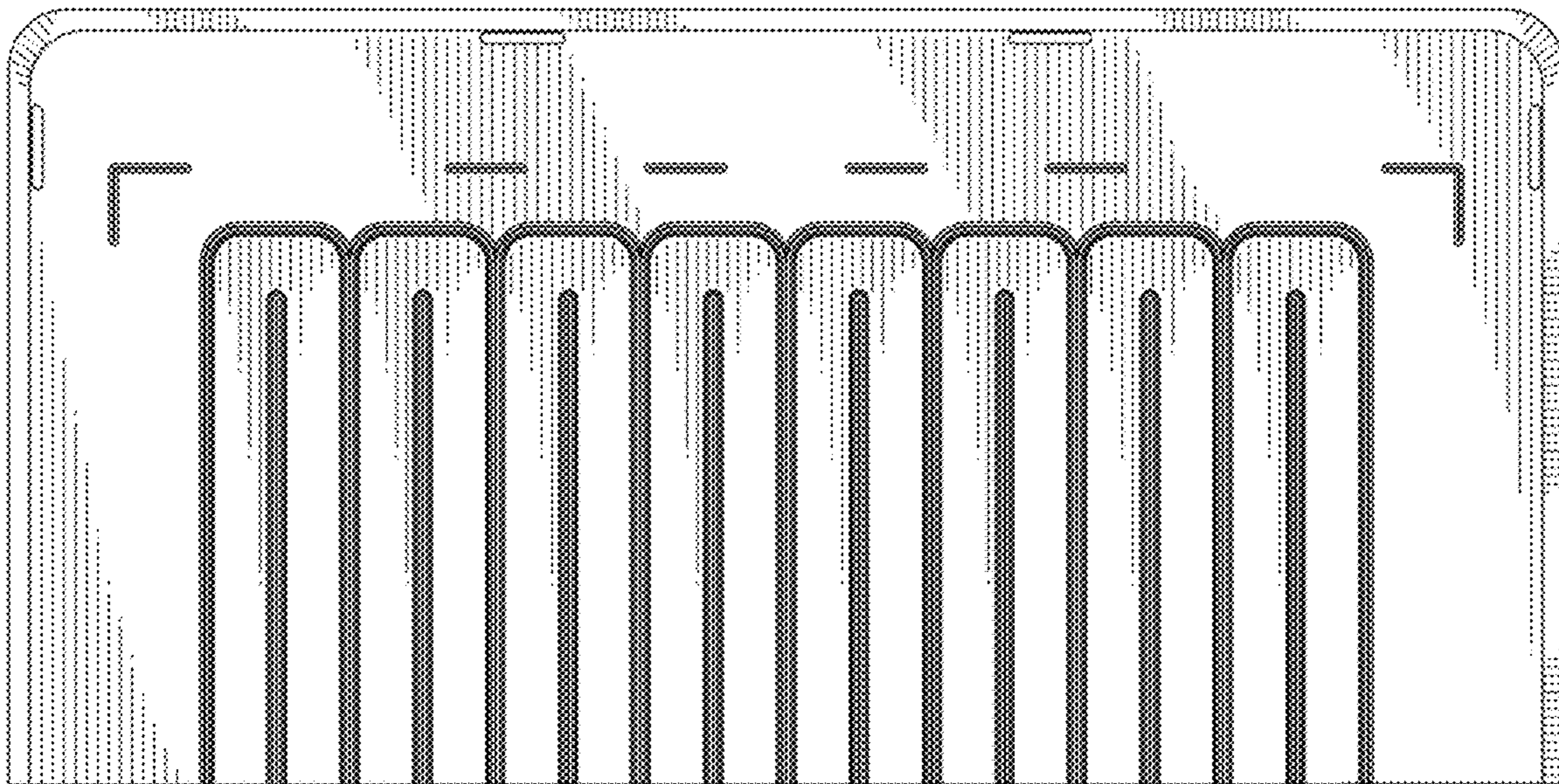
1.8



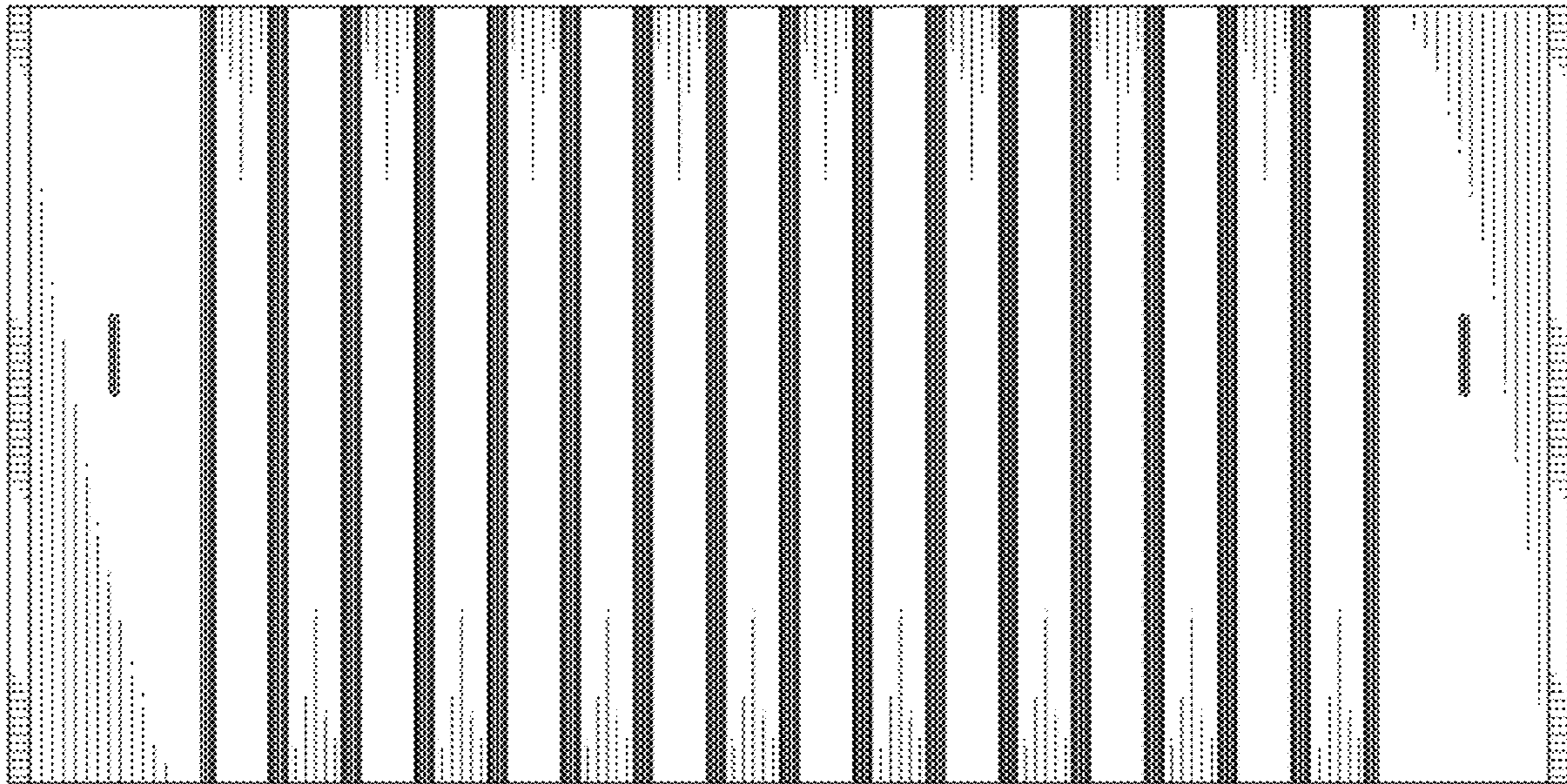
1.9



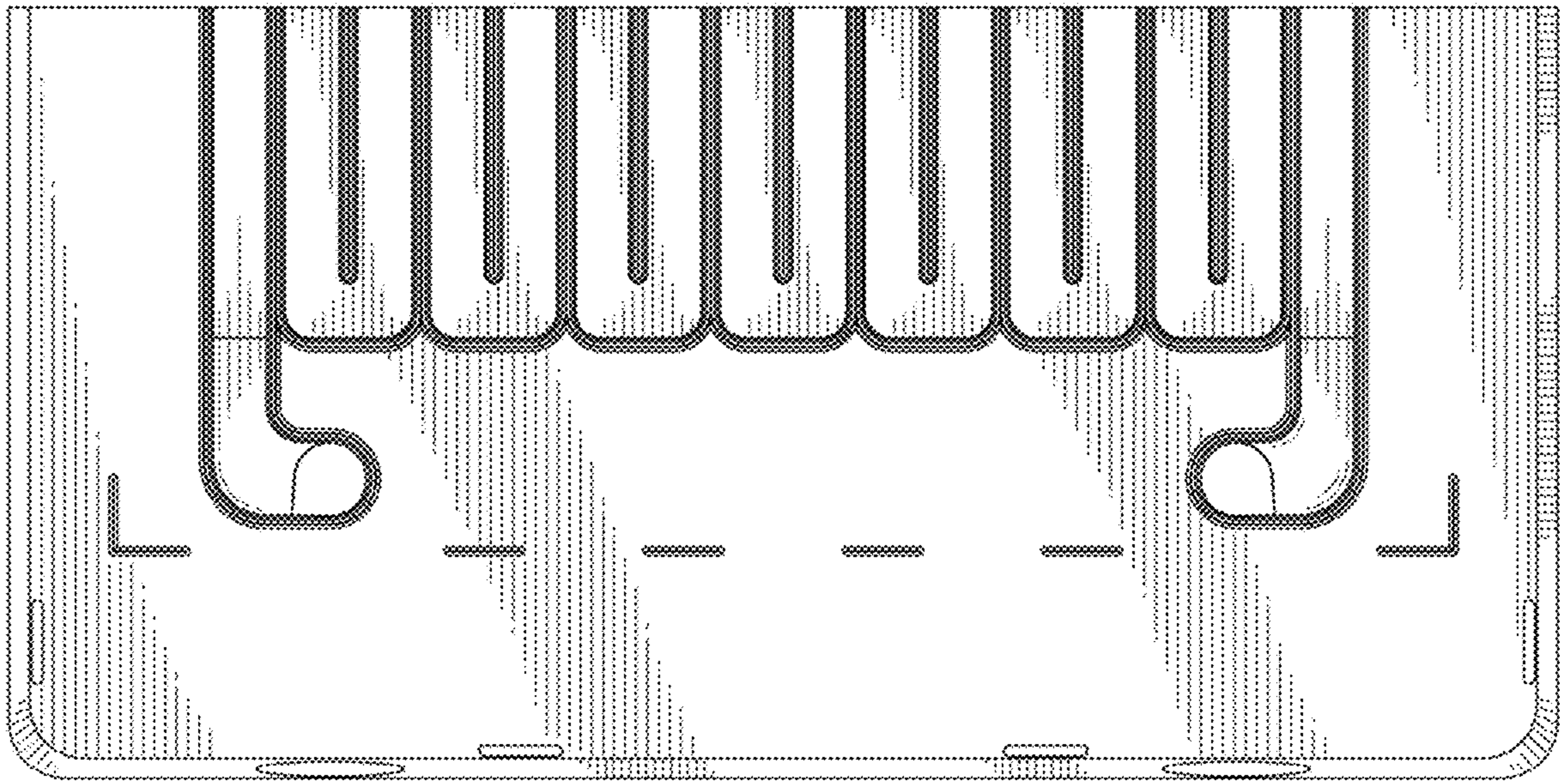
1.10



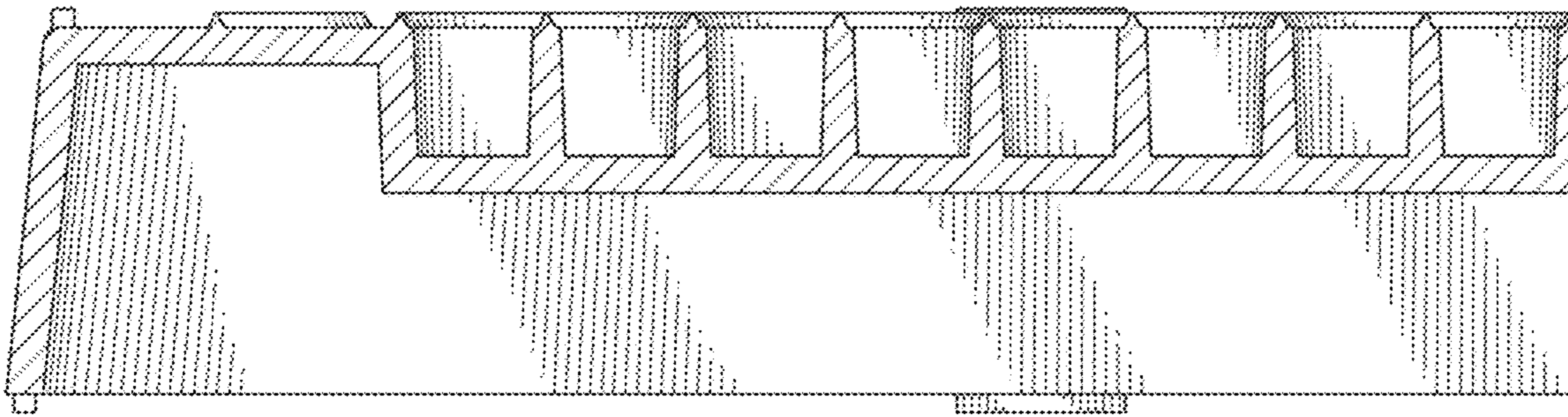
1.11



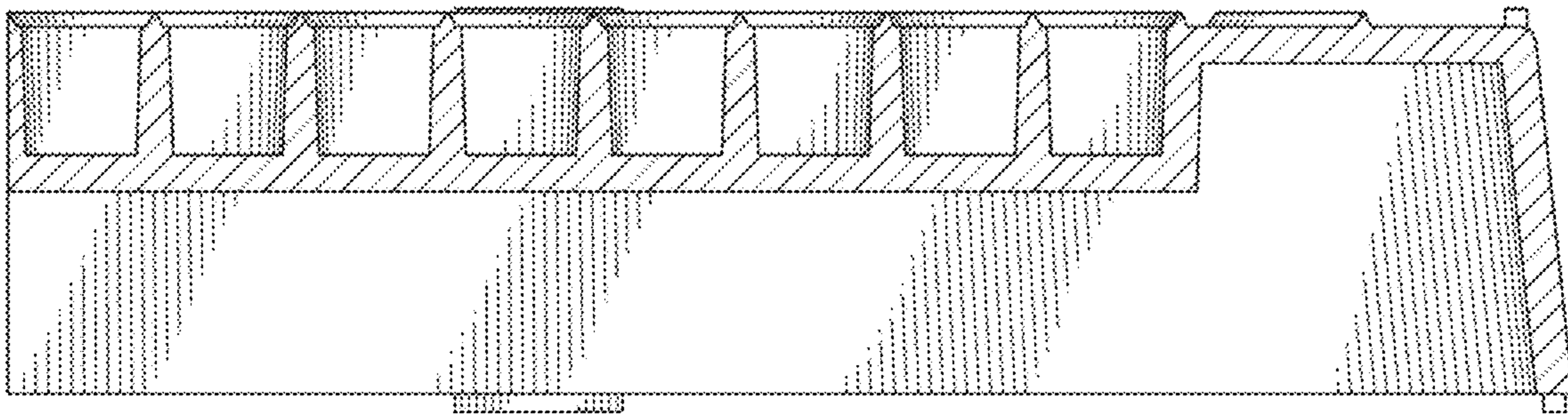
1.12



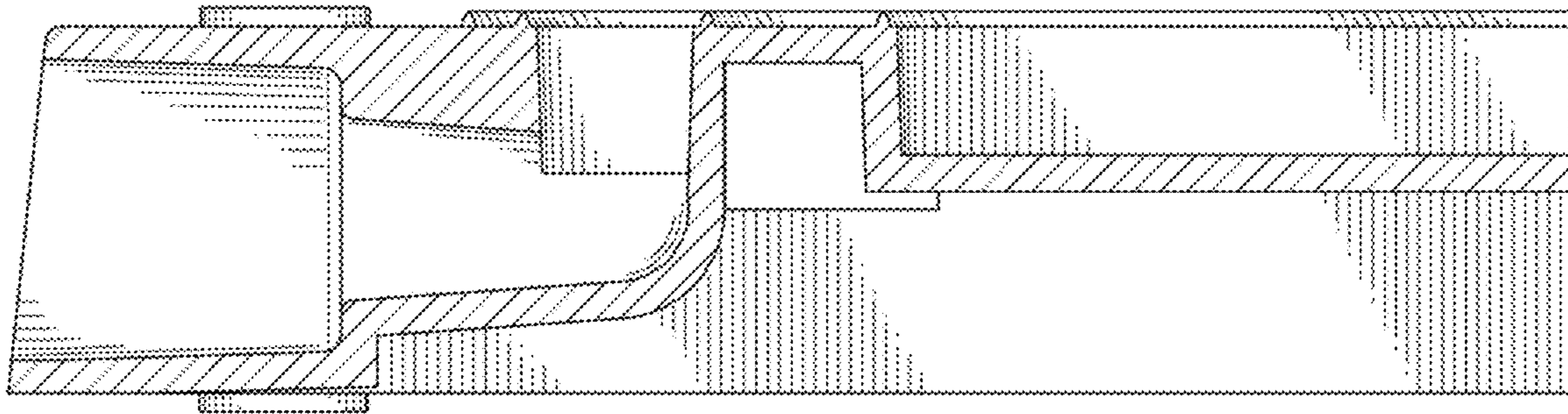
1.13



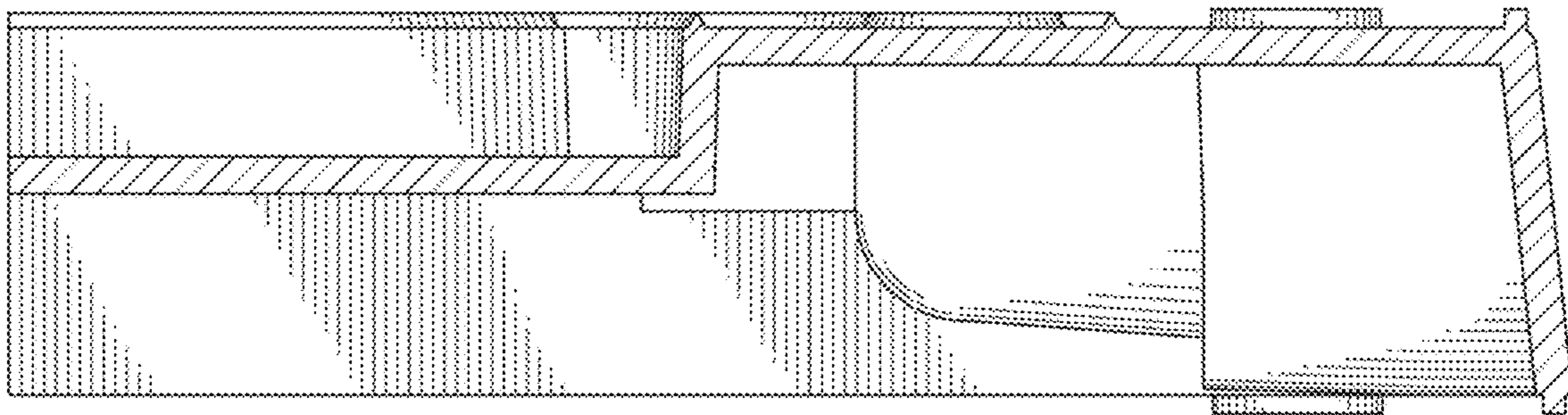
1.14



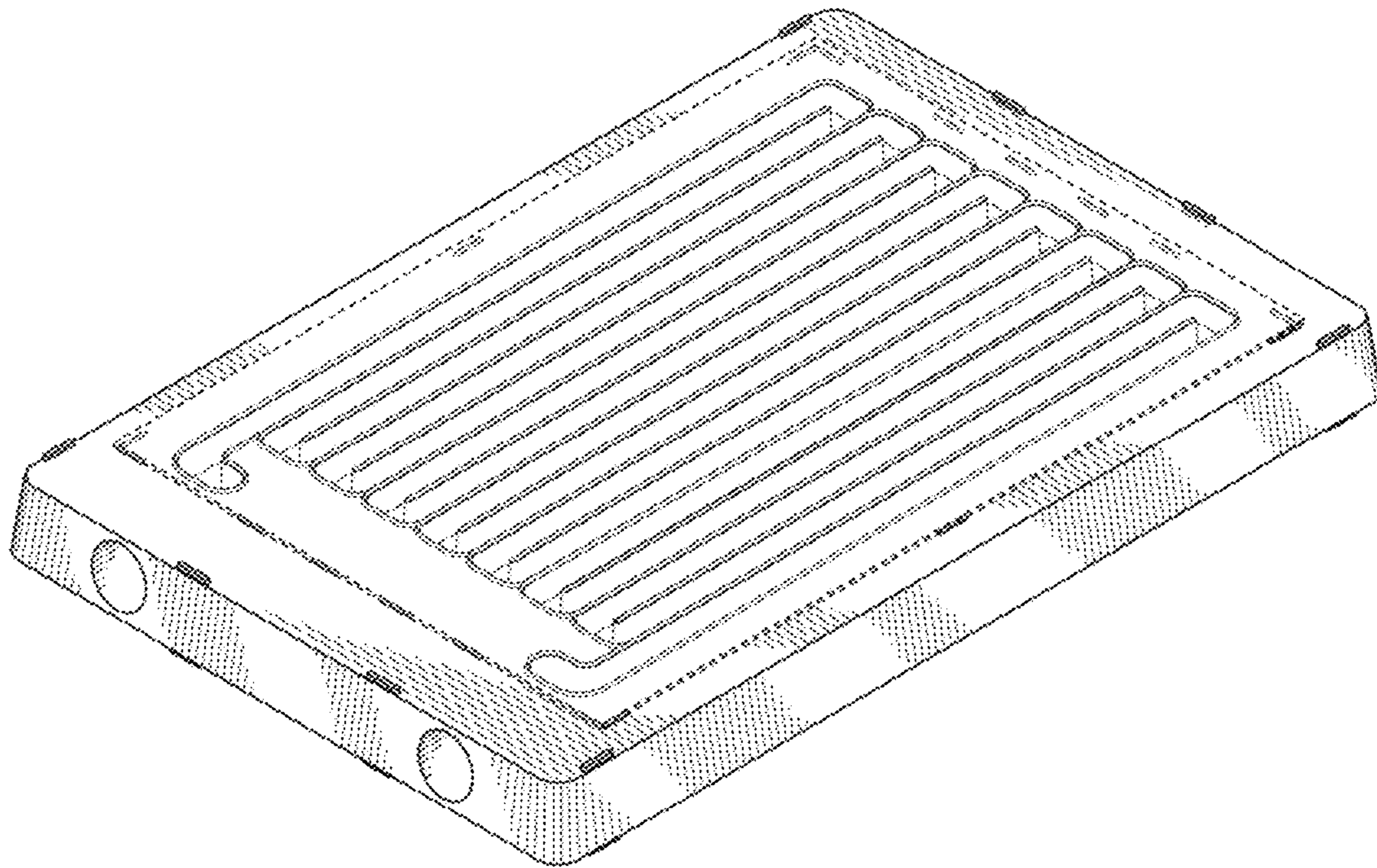
1.15



1.16



1.17



1.18

