



US00D851273S

(12) **United States Design Patent**
Frezal

(10) **Patent No.:** **US D851,273 S**
(45) **Date of Patent:** **** Jun. 11, 2019**

(54) **HOUSING WITH INTEGRATED TEST STRIP**

(71) Applicant: **MAGNISENSE SE**, Paris (FR)

(72) Inventor: **Thibaut Frezal**, Draveil (FR)

(73) Assignee: **MAGNISENSE SE**, Paris (FR)

(**) Term: **15 Years**

(21) Appl. No.: **29/669,483**

(22) Filed: **Nov. 8, 2018**

Related U.S. Application Data

(62) Division of application No. 35/503,924, filed on Jul. 19, 2017 (U.S. filing date under 35 U.S.C. 384), and having an international filing date of Jul. 19, 2017.

(30) **Foreign Application Priority Data**

Jan. 19, 2017 (EM) 003661834

(51) **LOC (11) Cl.** **24-02**

(52) **U.S. Cl.**
USPC **D24/223**

(58) **Field of Classification Search**

USPC D24/130, 140, 171, 186, 216, 223, 224,
D24/226, 227, 229, 231; D10/75

CPC A61B 90/00; A61B 90/10; A61B 90/0011;
A61B 2560/0456; A61B 2560/0462

See application file for complete search history.

(56) **References Cited**

U.S. PATENT DOCUMENTS

D296,926 S *	7/1988	Heasley	D24/133
D542,680 S *	5/2007	Fugman	D10/75
D545,433 S *	6/2007	Messerly	D24/158
D548,359 S *	8/2007	Illein	D24/223
D576,737 S *	9/2008	Lee	D24/216
D616,990 S *	6/2010	Suzuki	D24/186
D636,499 S *	4/2011	Delaey	D24/216

D672,880 S *	12/2012	Laverack	D24/223
D673,683 S *	1/2013	McCormack	D24/133
D674,489 S *	1/2013	McCormack	D24/133
D676,144 S *	2/2013	Laverack	D24/223
D676,569 S *	2/2013	Laverack	D24/223
D676,570 S *	2/2013	Chance	D24/223
D681,820 S *	5/2013	Shinohara	D24/186
D681,823 S *	5/2013	Shinohara	D24/186

(Continued)

OTHER PUBLICATIONS

Youtube.com: MiAG Test Demo. Screenshot from <https://www.youtube.com/watch?v=GVT4UCAU900>, published Jul. 12, 2018. One page.*

Primary Examiner — Robert M. Spear

(74) *Attorney, Agent, or Firm* — Stephen J. Weyer, Esq.; Stites & Harbison, PLLC

(57) **CLAIM**

The ornamental design for a reader for medical or nonmedical diagnostic use with integrated test strip, as shown and described.

DESCRIPTION

FIG. 1 is a top, front and left side perspective view of the reader for medical or nonmedical diagnostic use with integrated test strip of our design.

FIG. 2 is a bottom, front and right side perspective thereof.

FIG. 3 is a left side view thereof, the right side being a mirror image thereof.

FIG. 4 a front elevation view thereof.

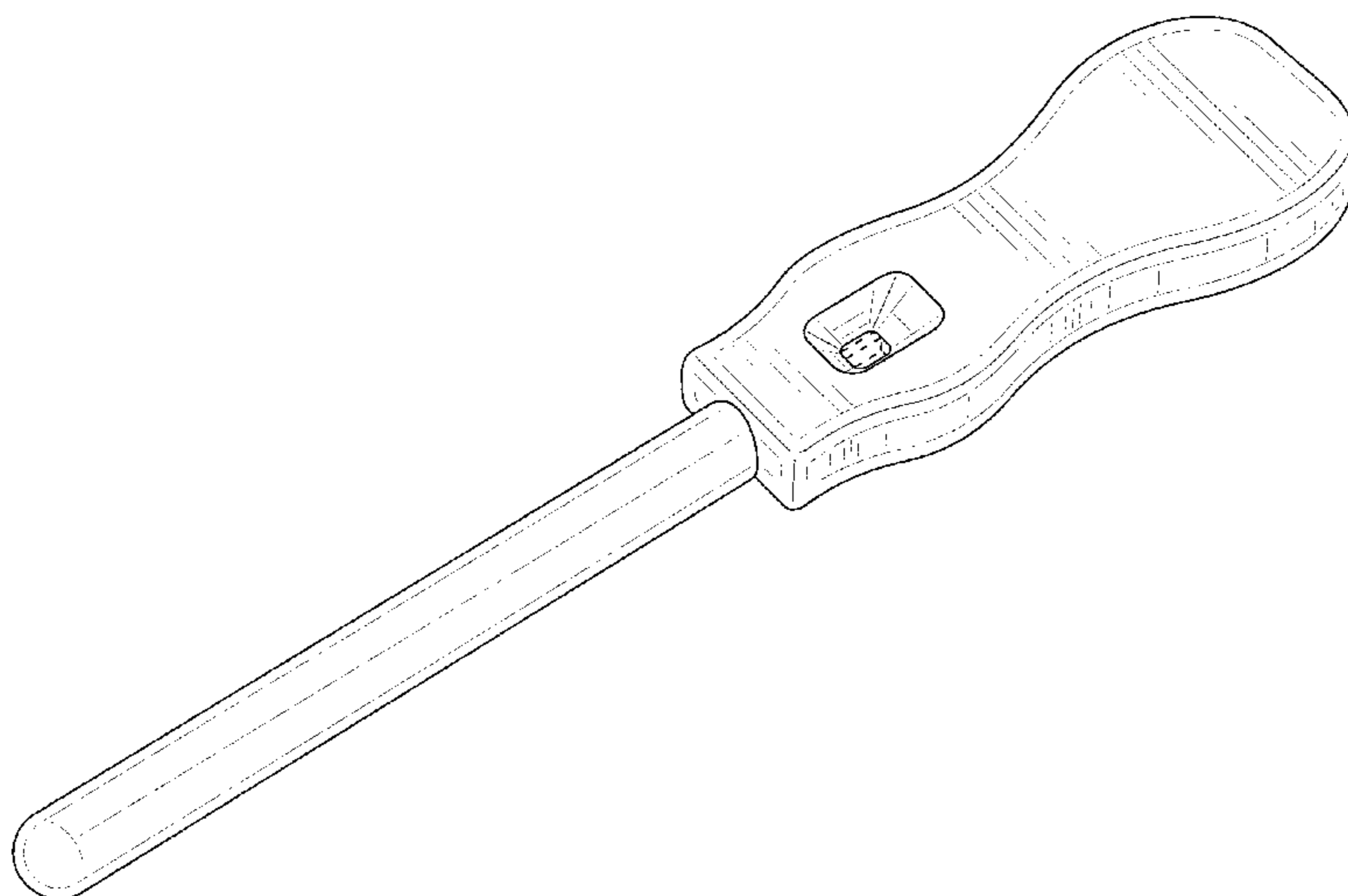
FIG. 5 is a rear view thereof.

FIG. 6 is a top plan view thereof; and,

FIG. 7 is a bottom plan view thereof.

Elements drawn in broken lines show environmental aspects of the reader for medical or nonmedical diagnostic use with integrated test strip which form no part of the claimed design.

1 Claim, 7 Drawing Sheets



(56)

References Cited

U.S. PATENT DOCUMENTS

D681,824	S	*	5/2013	Shinohara	D24/186
D681,825	S	*	5/2013	Shinohara	D24/186
D681,827	S	*	5/2013	Shinohara	D24/186
D681,828	S	*	5/2013	Shinohara	D24/186
D685,914	S	*	7/2013	Corrigan	D24/186
D764,069	S	*	8/2016	Peluso	D24/223
D770,057	S	*	10/2016	Snider	D24/223
D800,332	S	*	10/2017	Snider	D24/223
D800,333	S	*	10/2017	Snider	D24/223
D805,212	S	*	12/2017	Crumitie	D24/223
D824,042	S	*	7/2018	Scott	D24/224
D824,531	S	*	7/2018	Potts	D24/216

* cited by examiner

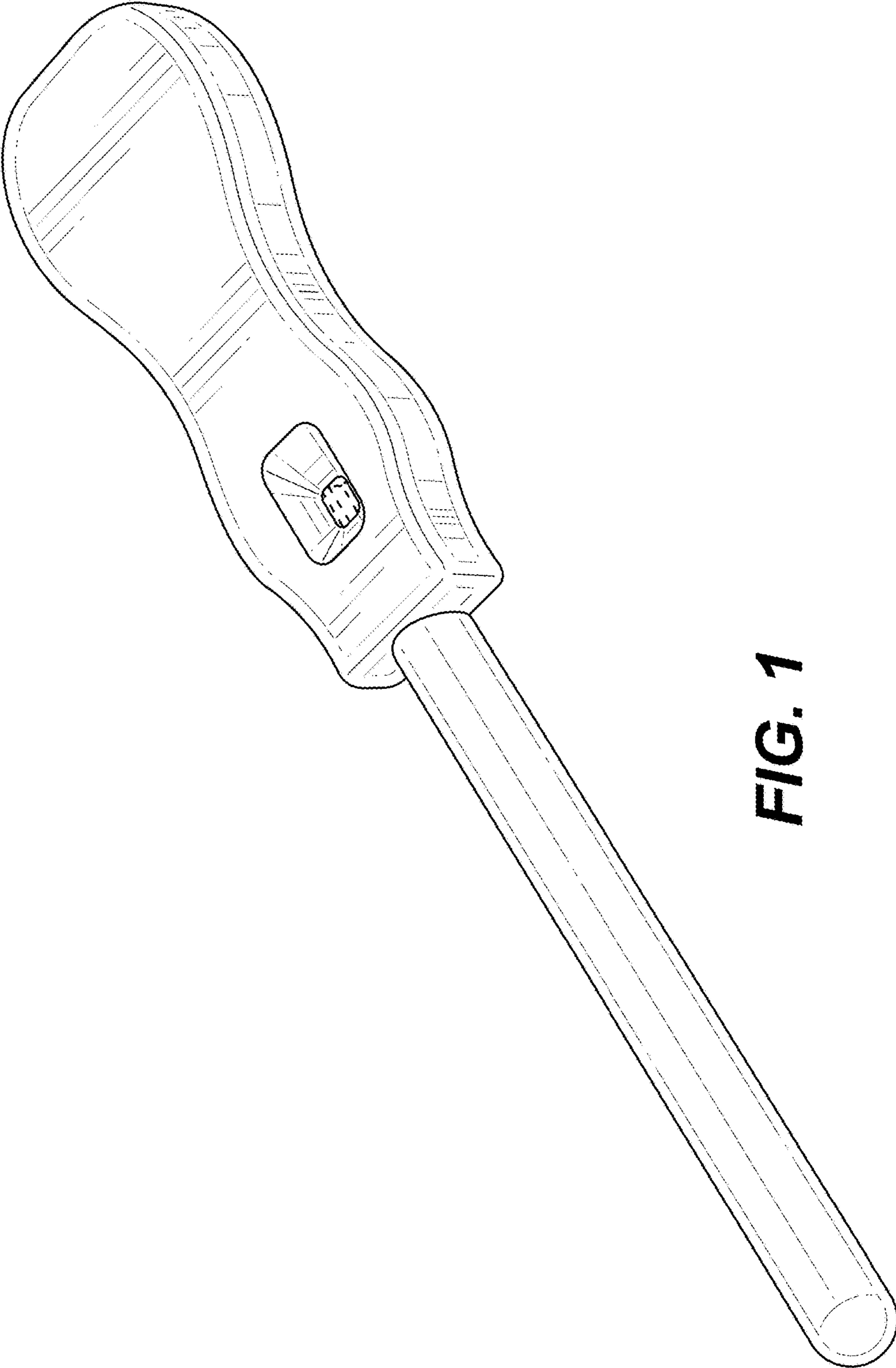


FIG. 1

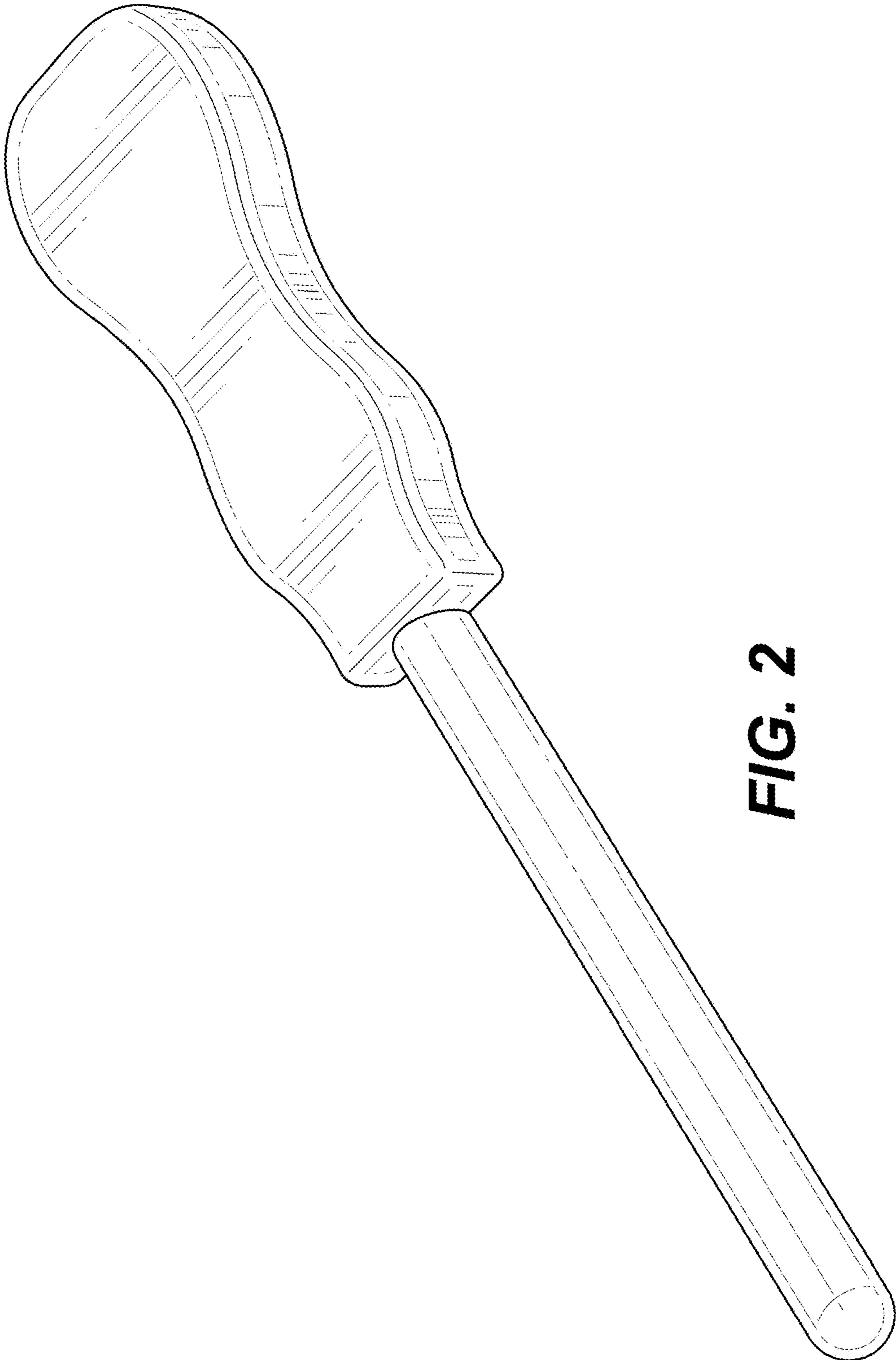


FIG. 2

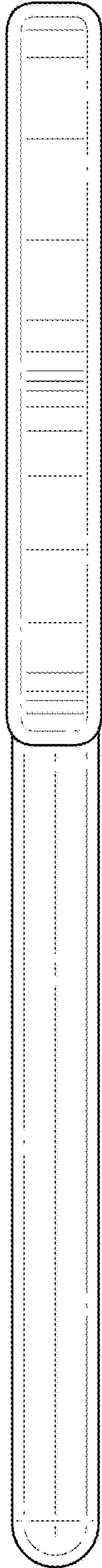


FIG. 3

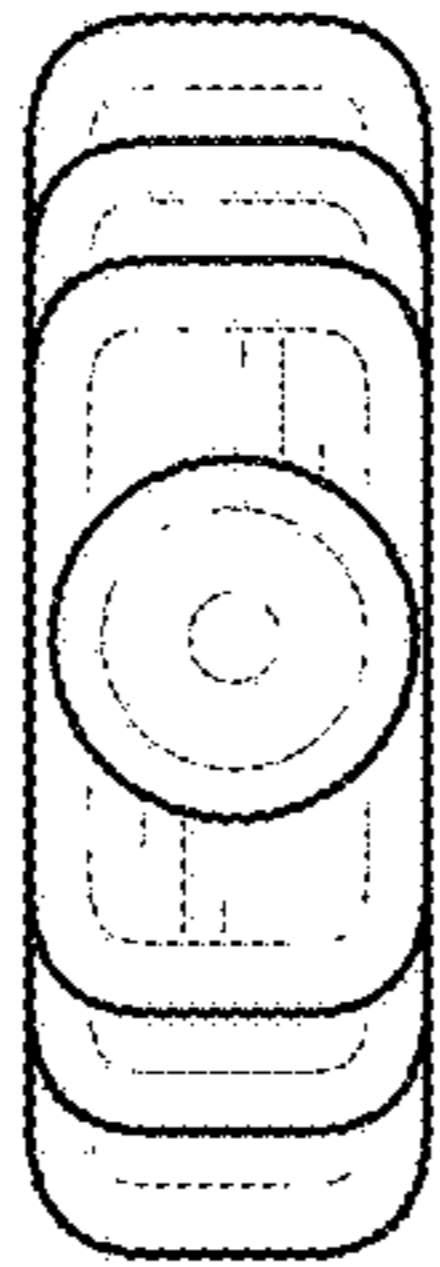


FIG. 4

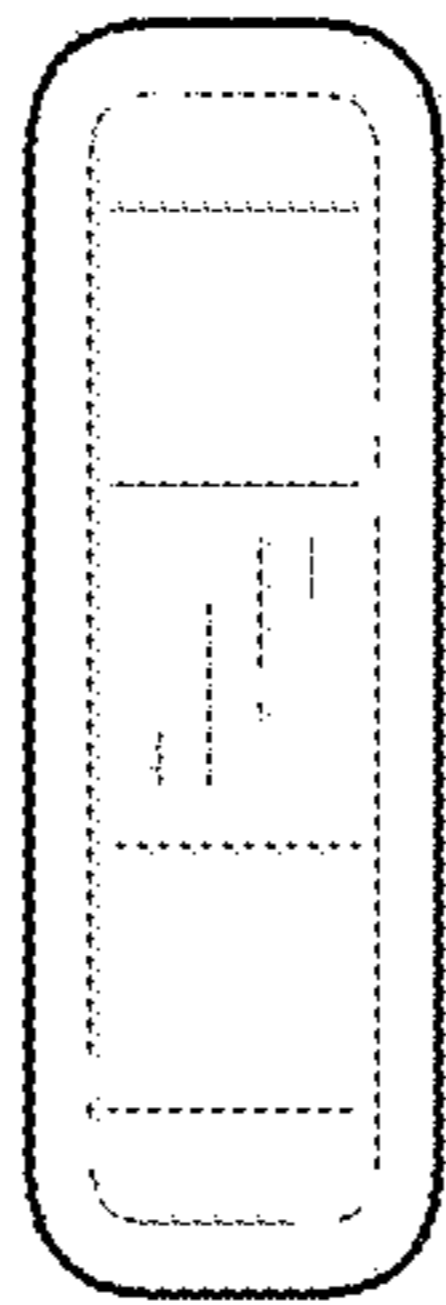


FIG. 5

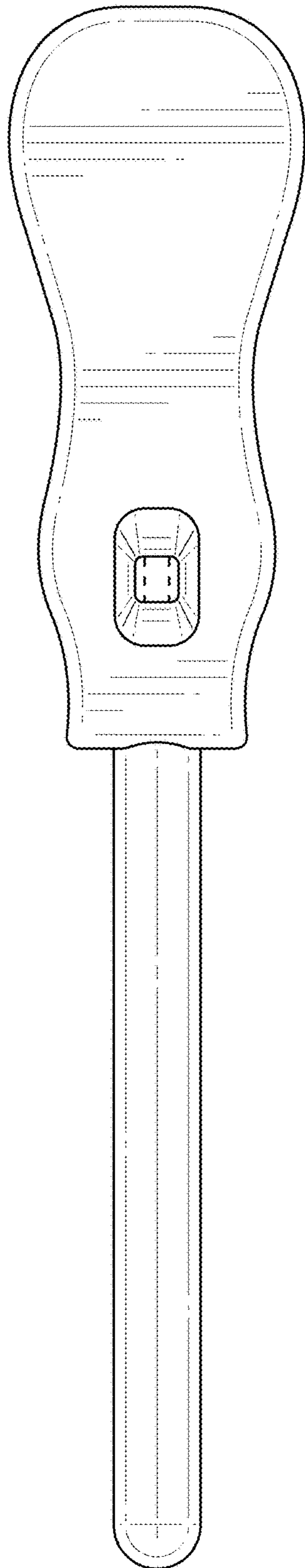


FIG. 6

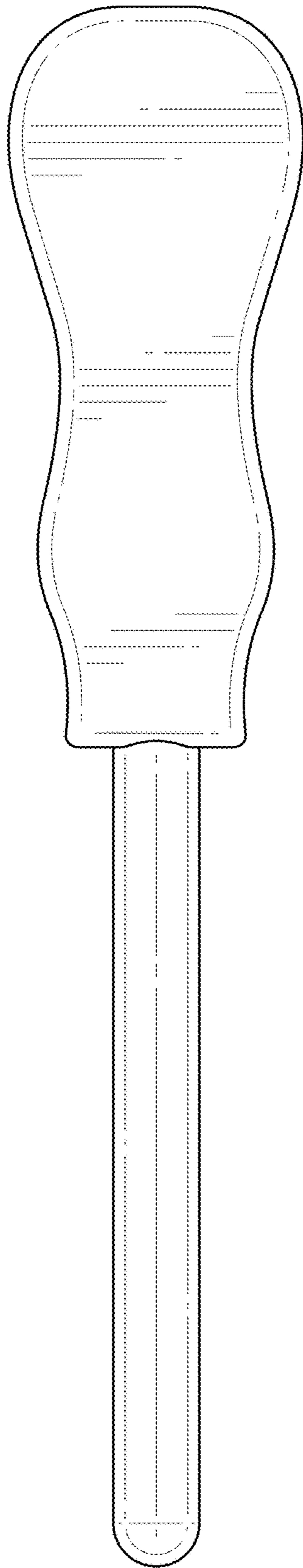


FIG. 7