



US00D851271S

(12) **United States Design Patent**
Burson

(10) **Patent No.:** **US D851,271 S**
(45) **Date of Patent:** **** Jun. 11, 2019**

(54) **PHYSICAL THERAPY DEVICE**

(71) Applicant: **Scott Kenneth Burson**, Seal Beach,
CA (US)

(72) Inventor: **Scott Kenneth Burson**, Seal Beach,
CA (US)

(**) Term: **15 Years**

(21) Appl. No.: **29/646,586**

(22) Filed: **May 4, 2018**

Related U.S. Application Data

(63) Continuation of application No. 14/920,083, filed on
Oct. 22, 2015, now abandoned.

(51) **LOC (11) Cl.** **28-03**

(52) **U.S. Cl.**
USPC **D24/211**

(58) **Field of Classification Search**
USPC D24/200, 211, 212, 213, 214, 215;
601/19, 27-32, 46-48, 52, 99, 112-113,
601/118, 135, 137, DIG. 12, DIG. 14,
601/DIG. 15, DIG. 16, DIG. 17;
D30/160; D21/681, 682
CPC A61H 19/00; A61H 19/30; A61H 19/32;
A61H 19/34; A61H 19/40; A61H 19/44;
A61H 19/50; A61H 2015/0007; A61H
2015/0014; A61H 2015/0042; A61H
15/00; A61H 7/003; A61H 7/005
See application file for complete search history.

(56) **References Cited**

U.S. PATENT DOCUMENTS

2,286,324 A * 6/1942 Wentz A61H 15/0092
16/110.1
D206,512 S * 12/1966 Waldeck D24/211
3,403,906 A * 10/1968 Burzenski A63B 22/20
482/108

D215,057 S * 8/1969 Sun D21/681
3,616,794 A * 11/1971 Gromala A61H 15/0092
482/132
D248,493 S * 7/1978 Moncrief 601/120
D249,363 S * 9/1978 Day D21/684
D253,373 S * 11/1979 Celeste 601/121
D271,051 S * 10/1983 McCoy D21/679
4,433,683 A * 2/1984 McCoy A63B 21/05
601/120
D281,815 S * 12/1985 Conn, Sr. D24/211
4,832,006 A * 5/1989 Kirsch A61H 1/008
601/122
D306,886 S * 3/1990 Shiek D21/662
5,170,778 A * 12/1992 Jamis A61H 15/00
601/121
D333,871 S * 3/1993 Grenko D24/211
D352,786 S * 11/1994 Hwang D24/211
D405,887 S * 2/1999 Antoskow D24/211
D405,888 S * 2/1999 Antoskow D24/211
D408,081 S * 4/1999 Chen D24/211
D527,830 S * 9/2006 Chien D24/211

(Continued)

Primary Examiner — Sandra S Snapp

(74) *Attorney, Agent, or Firm* — Chang & Hale LLP

(57) **CLAIM**

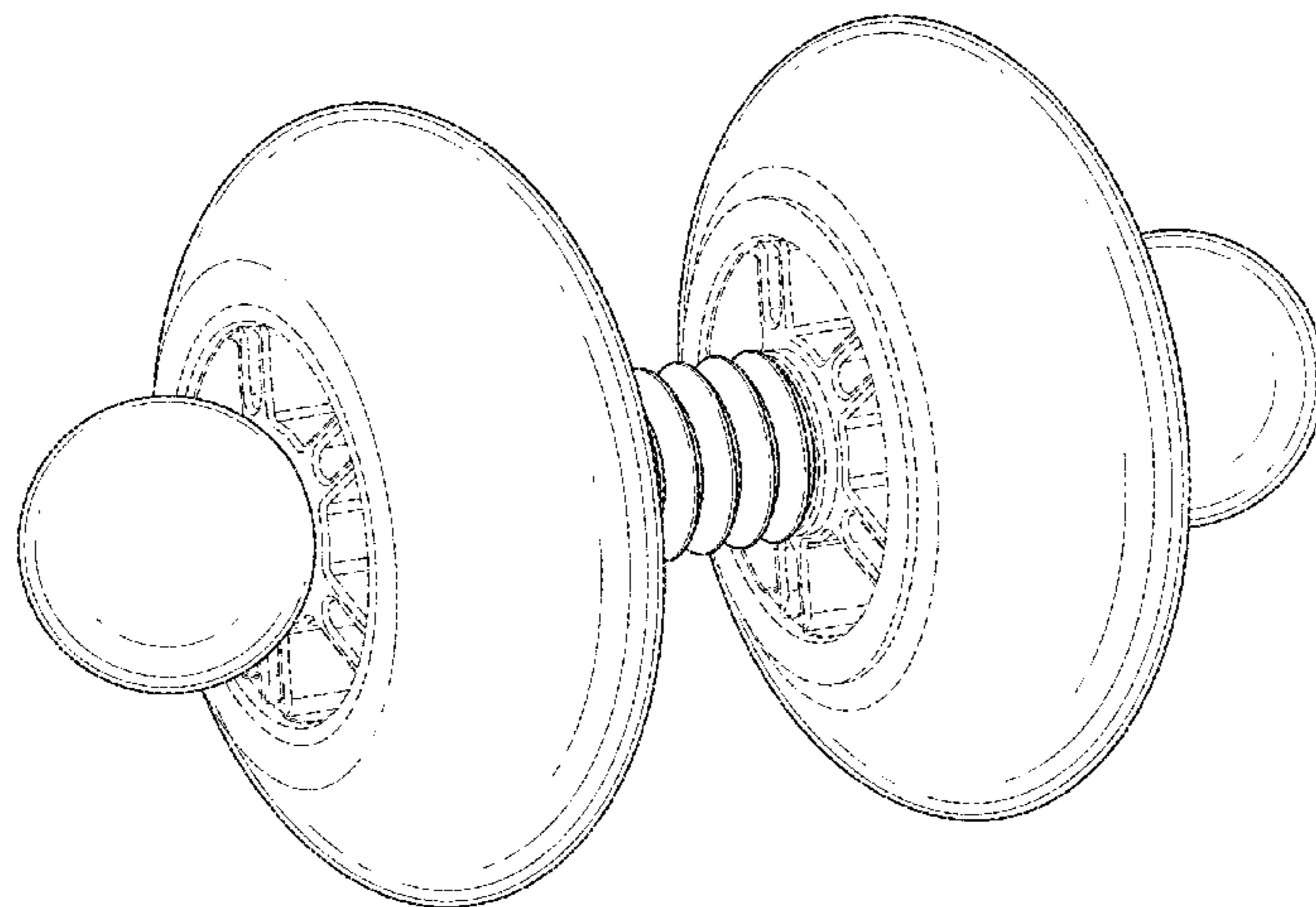
The ornamental design for a physical therapy device, as
shown and described.

DESCRIPTION

FIG. 1 is a perspective view of a physical therapy device
showing the new design;
FIG. 2 is a front view thereof, wherein a rear view, a top
view, and a bottom view thereof are identical; and,
FIG. 3 is a right side view thereof, wherein a left side view
thereof is identical.

The broken lines in the drawings depict portions of the
physical therapy device and form no part of the claimed
design.

1 Claim, 2 Drawing Sheets



(56)

References Cited

U.S. PATENT DOCUMENTS

7,645,248 B2 * 1/2010 Brown A61H 15/00
601/122
D654,970 S * 2/2012 Daves D21/662
D718,461 S * 11/2014 Sato D24/215
D754,868 S * 4/2016 Hendrickson D24/211
D758,603 S * 6/2016 Phillips D24/215
D800,329 S * 10/2017 Cheng D24/211
D802,781 S * 11/2017 Moorehead D24/211
D804,048 S * 11/2017 Winkley D24/215
D805,210 S * 12/2017 Leier D24/211
D812,239 S * 3/2018 Rosenberg D24/211
2006/0235345 A1 * 10/2006 Ivanov A61H 7/002
601/138

* cited by examiner

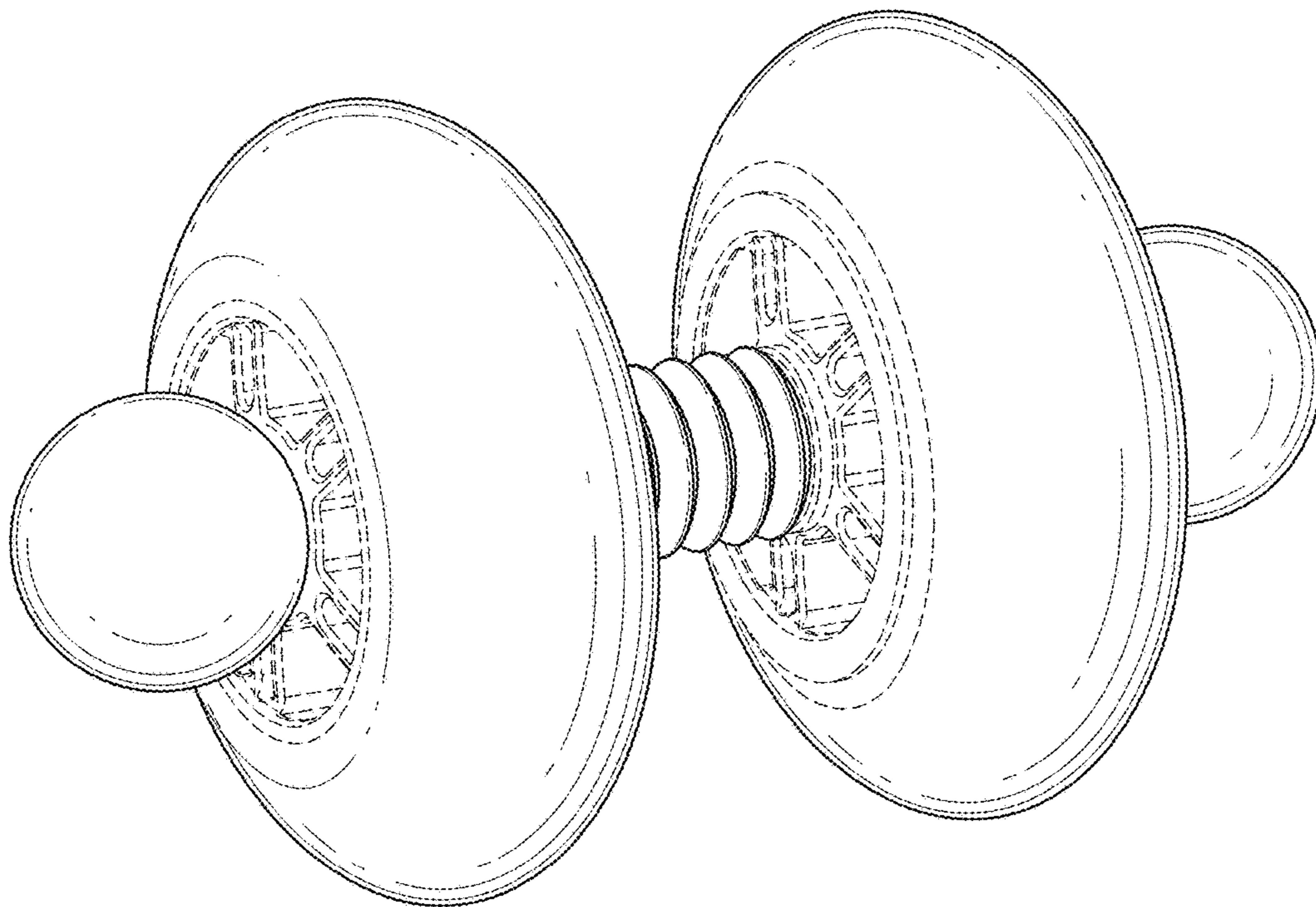


FIG. 1

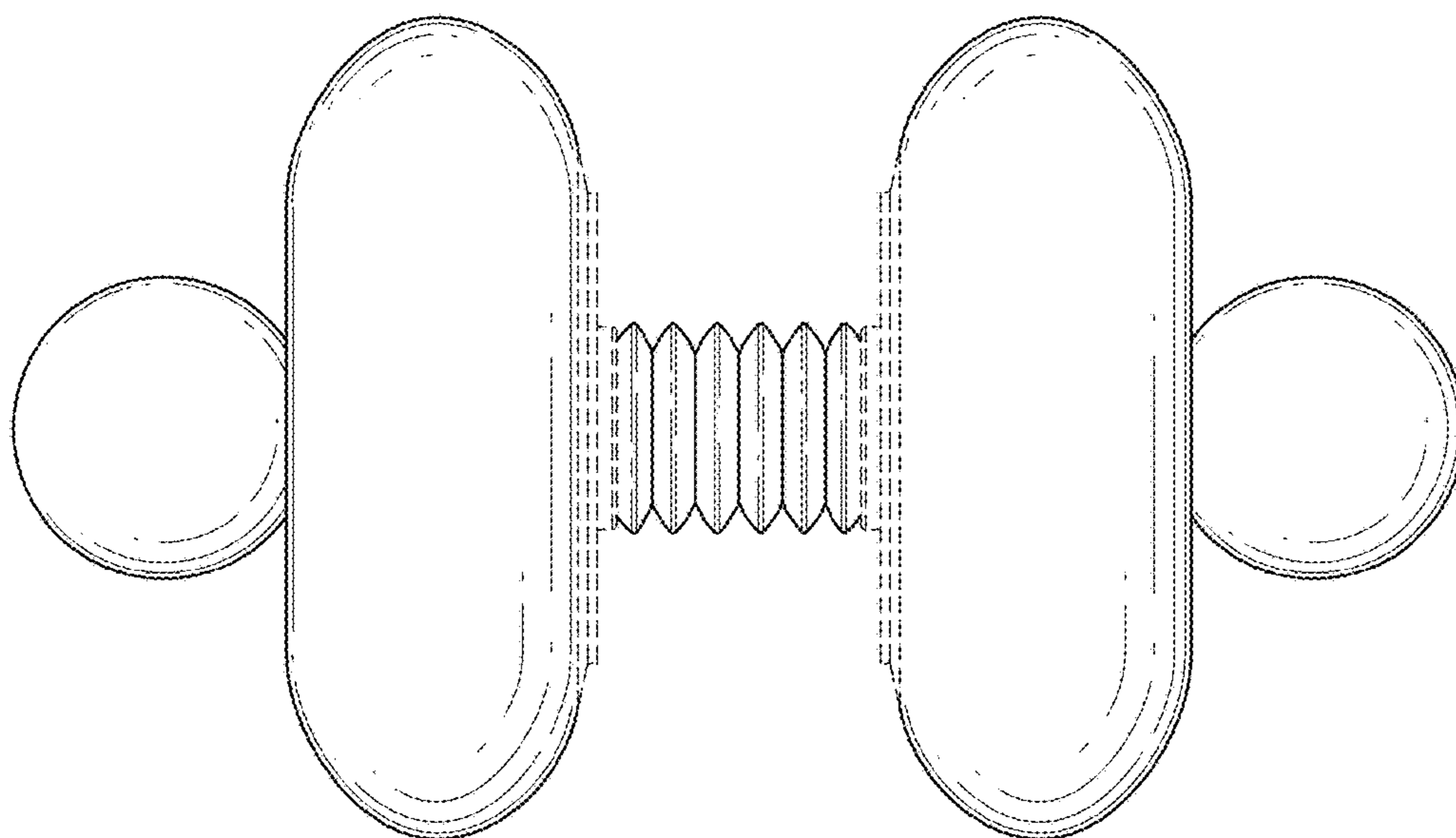


FIG. 2

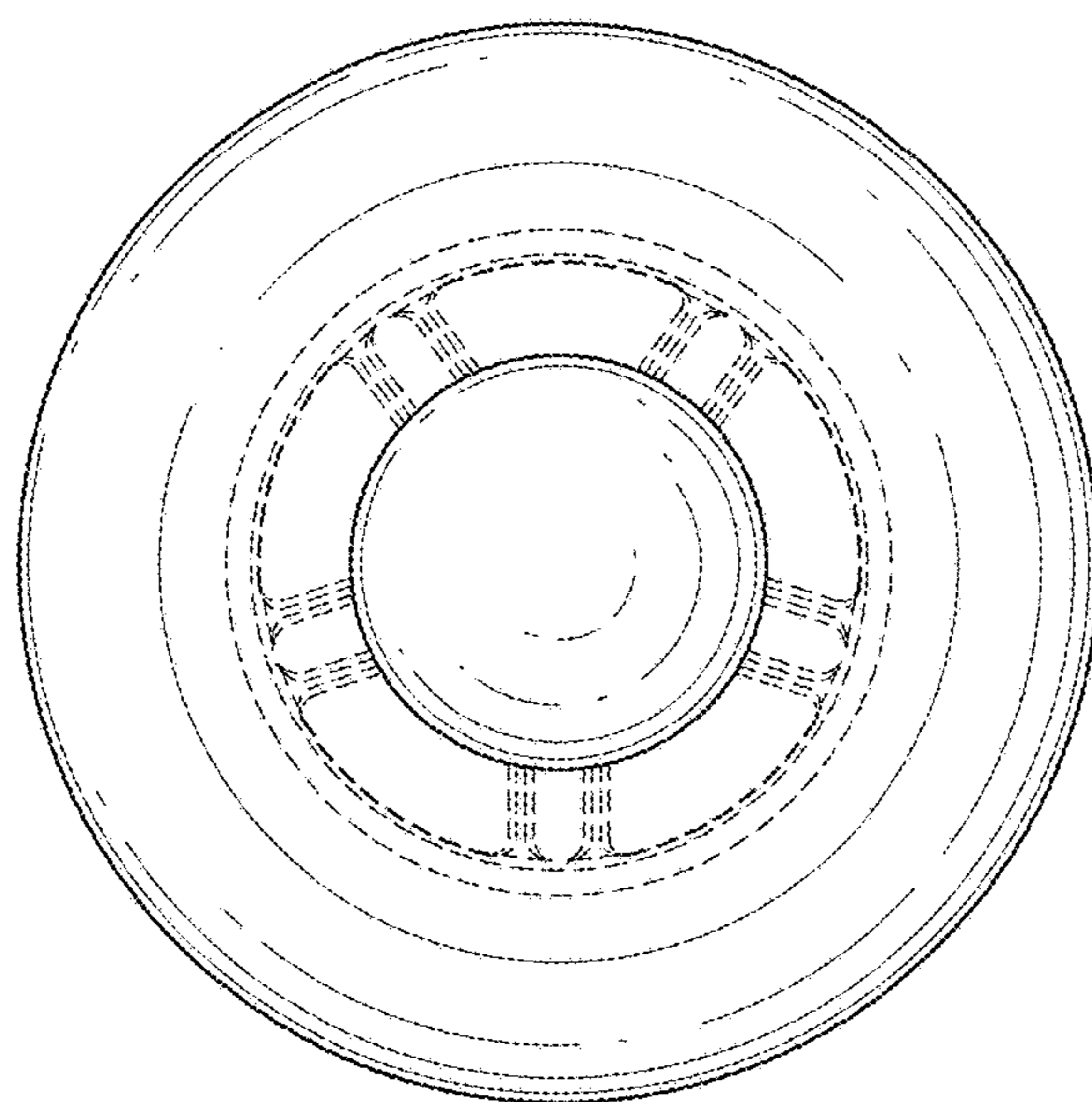


FIG. 3