



US00D851269S

(12) **United States Design Patent**
McGregor et al.

(10) **Patent No.:** **US D851,269 S**
(45) **Date of Patent:** **** Jun. 11, 2019**

- (54) **NOZZLE TIP**
- (71) Applicant: **3M INNOVATIVE PROPERTIES COMPANY**, St. Paul, MN (US)
- (72) Inventors: **Andrew J. McGregor**, Minneapolis, MN (US); **Daniel P. Doran**, Minneapolis, MN (US); **Michael J. Vostal**, Minneapolis, MN (US)
- (73) Assignee: **3M Innovative Properties Company**, Saint Paul, MN (US)
- (**) Term: **15 Years**
- (21) Appl. No.: **29/601,273**
- (22) Filed: **Apr. 20, 2017**
- (51) **LOC (11) Cl.** **24-04**
- (52) **U.S. Cl.**
USPC **D24/206; D23/262**
- (58) **Field of Classification Search**
USPC D24/206–208, 200, 107–108, 110, 110.5, D24/127; D23/262, 249, 263
CPC .. A61F 7/00; A61F 7/0097; A61F 7/02; A61F 7/08; A61F 2007/0055; A61F 2007/006; A61F 2007/0064; A61F 2007/0091
See application file for complete search history.

- 7,338,515 B2 * 3/2008 Van Duren A61F 7/0097
607/96
- 7,658,756 B2 * 2/2010 Pierre A61F 7/02
138/89
- 7,837,721 B2 * 11/2010 Augustine A61F 7/00
607/104
- 9,192,509 B2 * 11/2015 Muehlbauer A61F 7/00
- D757,929 S * 5/2016 Kerber D24/127
- D803,362 S * 11/2017 Feros D23/262
- 2008/0113608 A1 * 5/2008 Van Duren A61F 7/0097
454/237
- 2017/0360599 A1 * 12/2017 McGregor A61F 7/02
- 2017/0360600 A1 * 12/2017 McGregor A61F 7/02

* cited by examiner

Primary Examiner — Wan Laymon

(74) *Attorney, Agent, or Firm* — 3M Innovative Properties Company; Jonathan V. Sry

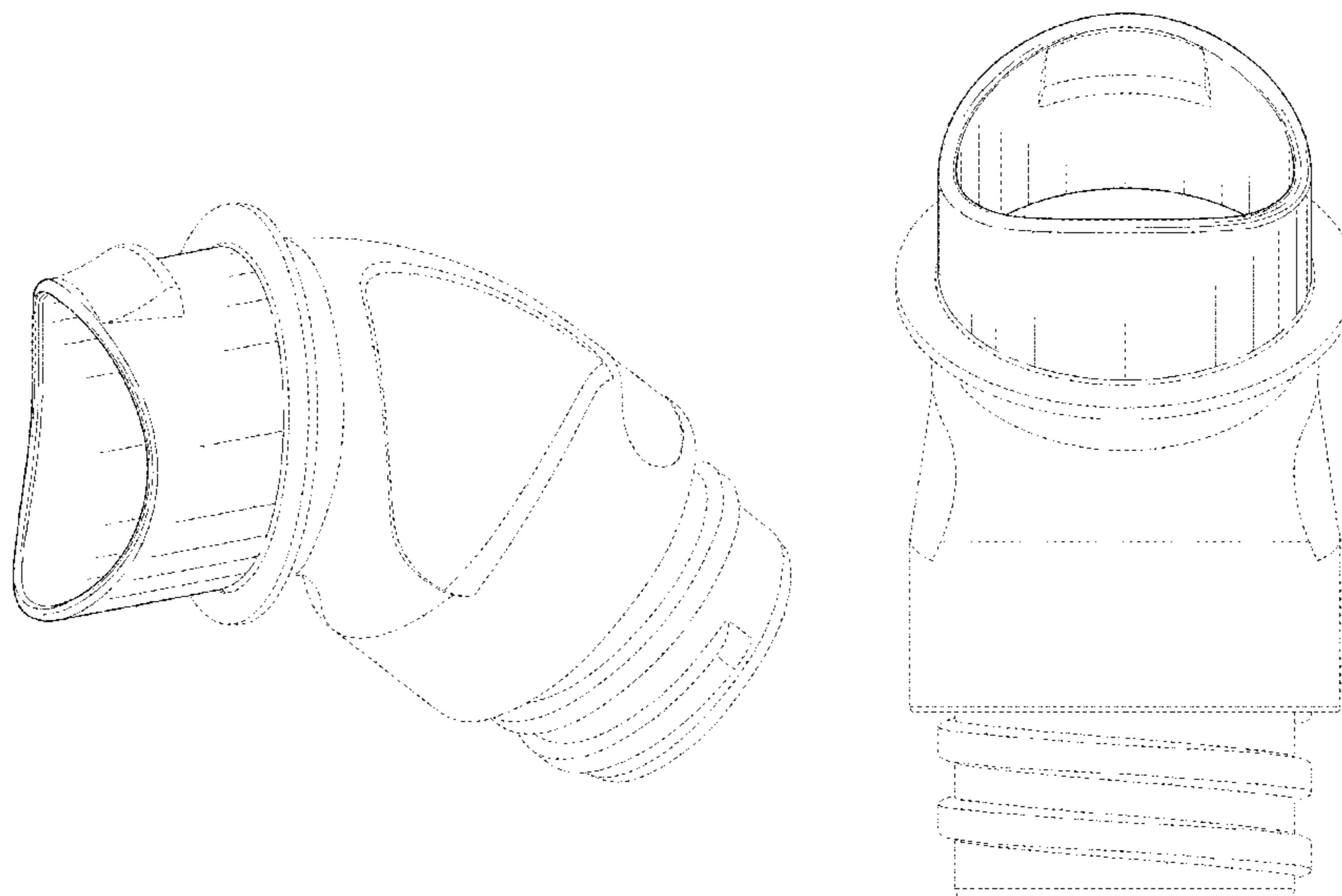
(57) **CLAIM**

The ornamental design for a nozzle tip, as shown and described.

DESCRIPTION

FIG. 1 is a perspective view showing the new design of a nozzle tip;
 FIG. 2 is a front view thereof;
 FIG. 3 is a bottom view thereof;
 FIG. 4 is a right side view thereof;
 FIG. 5 is a left side view thereof;
 FIG. 6 is a top view thereof; and,
 FIG. 7 is a bottom view thereof.
 The portions of the nozzle tip in FIGS. 1-7 shown in broken lines are included to show features that form no part of the claimed design.

1 Claim, 7 Drawing Sheets



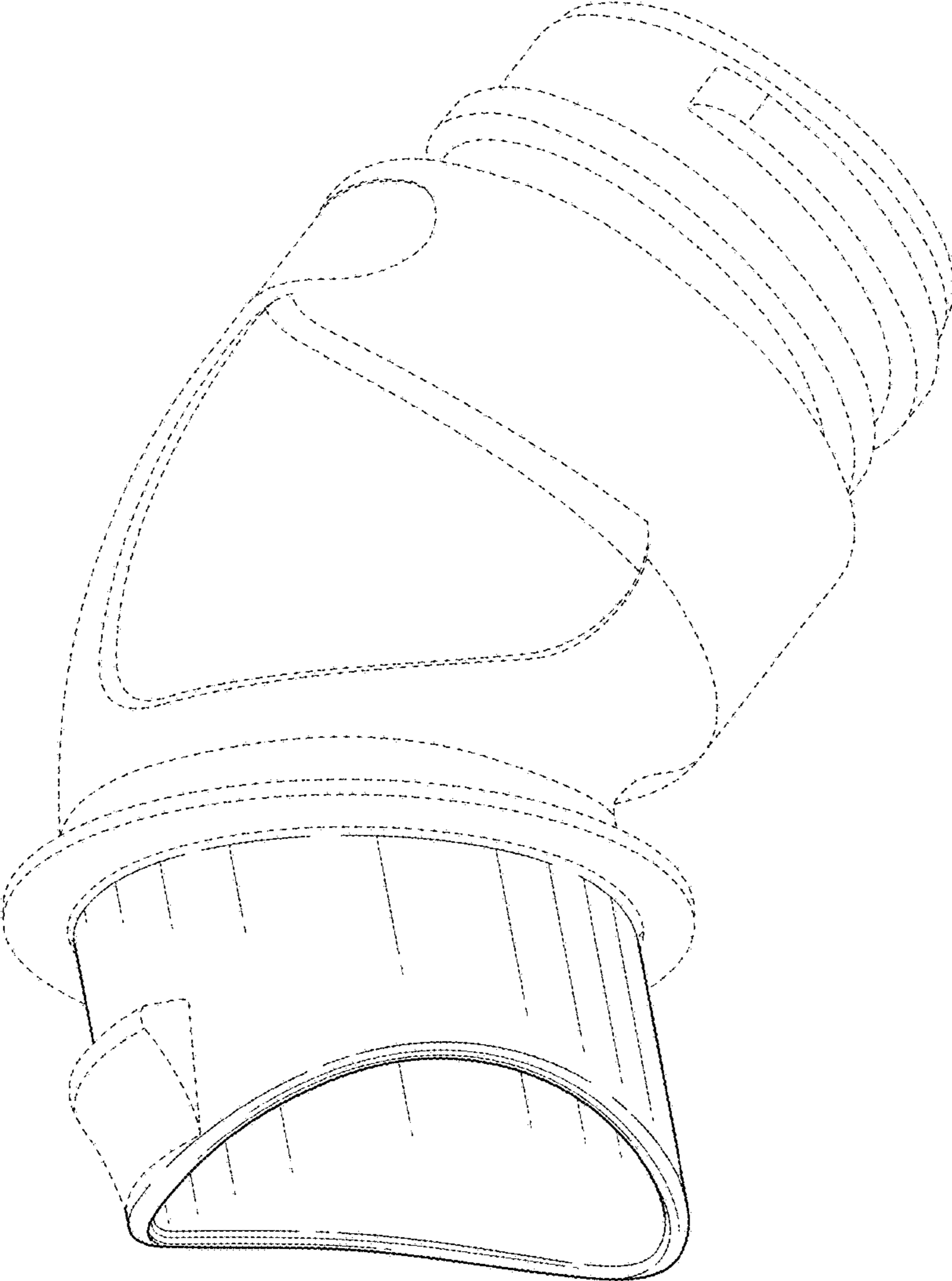


FIG. 1

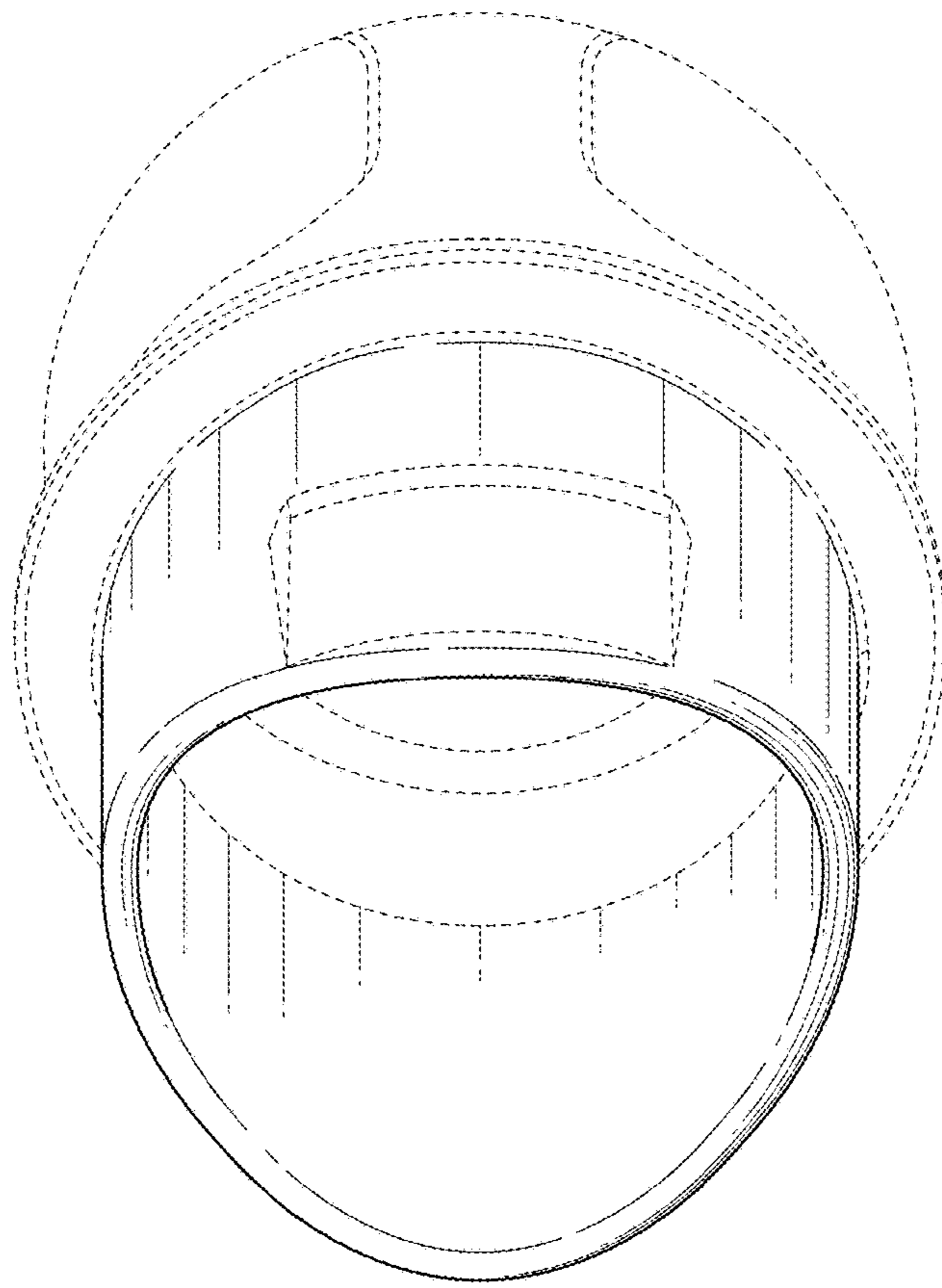


FIG. 2

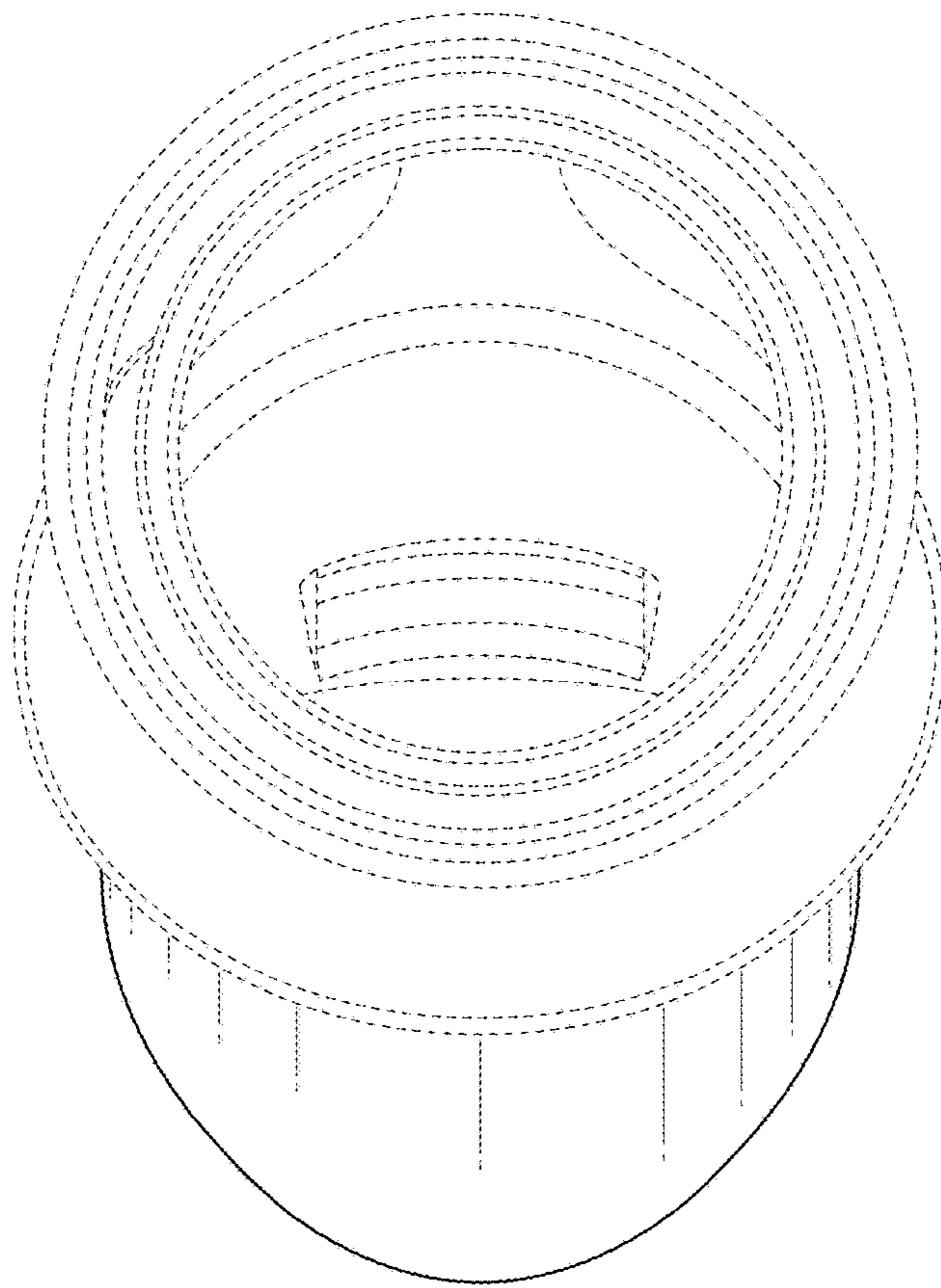


FIG. 3

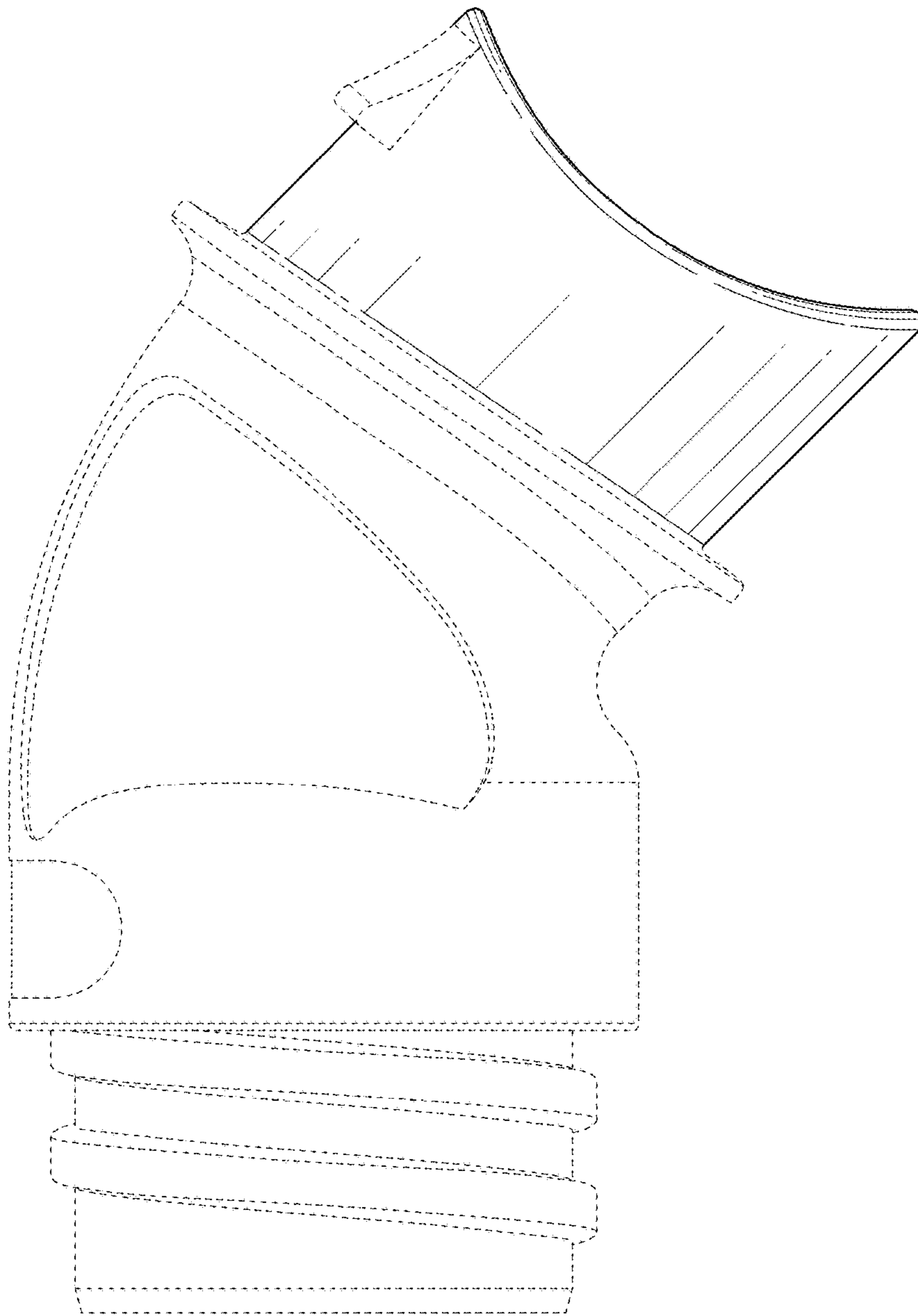


FIG. 4

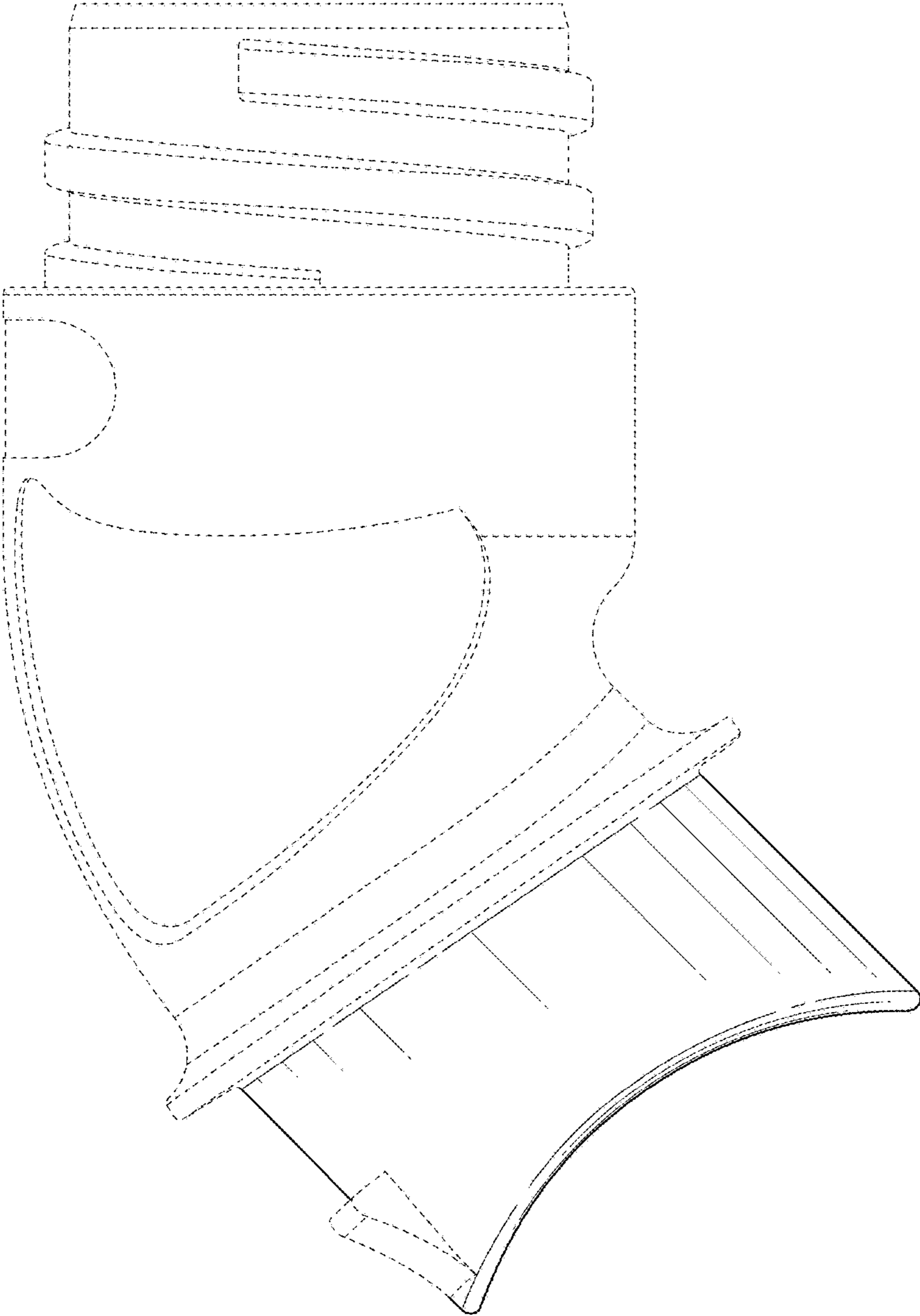


FIG. 5

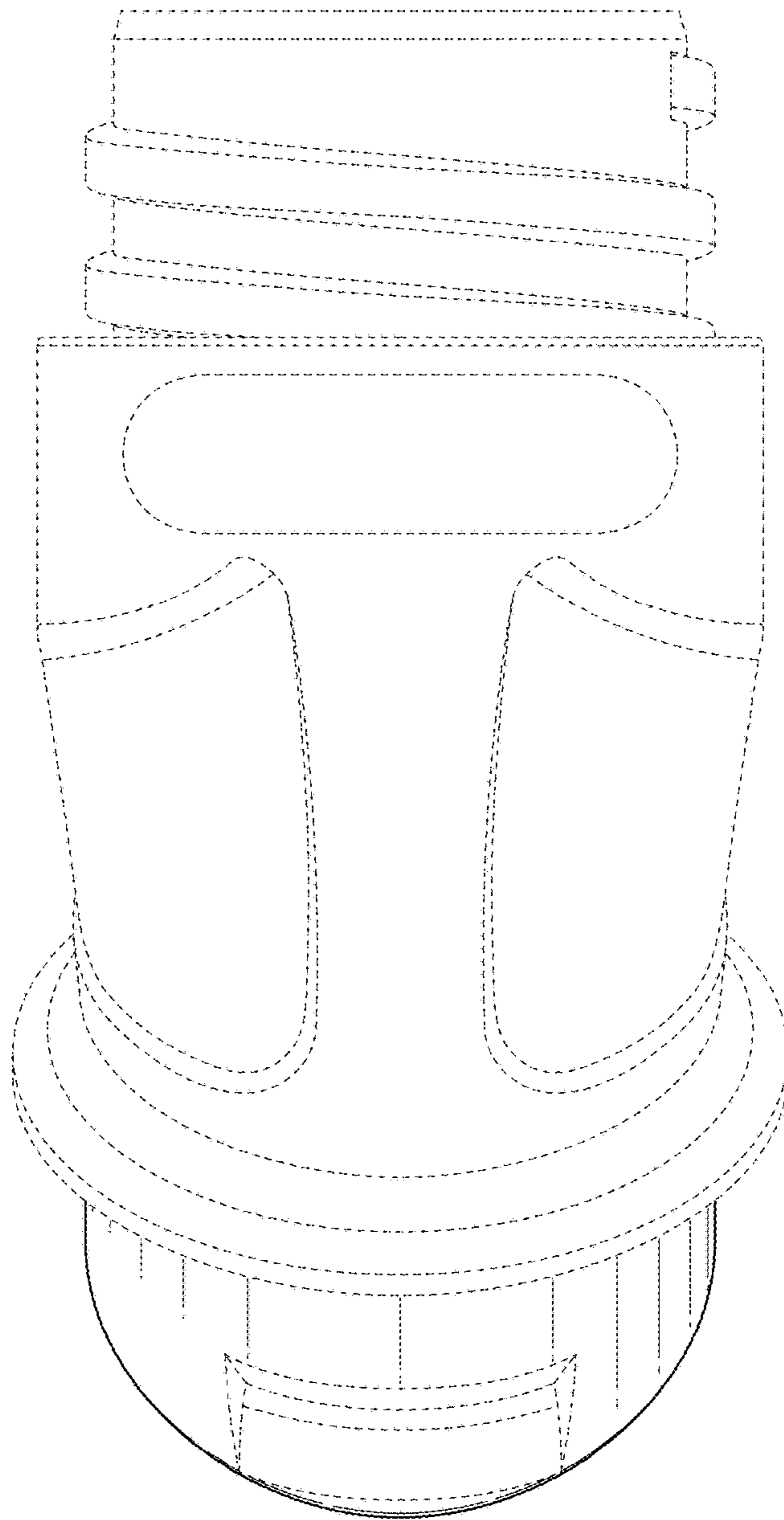


FIG. 6

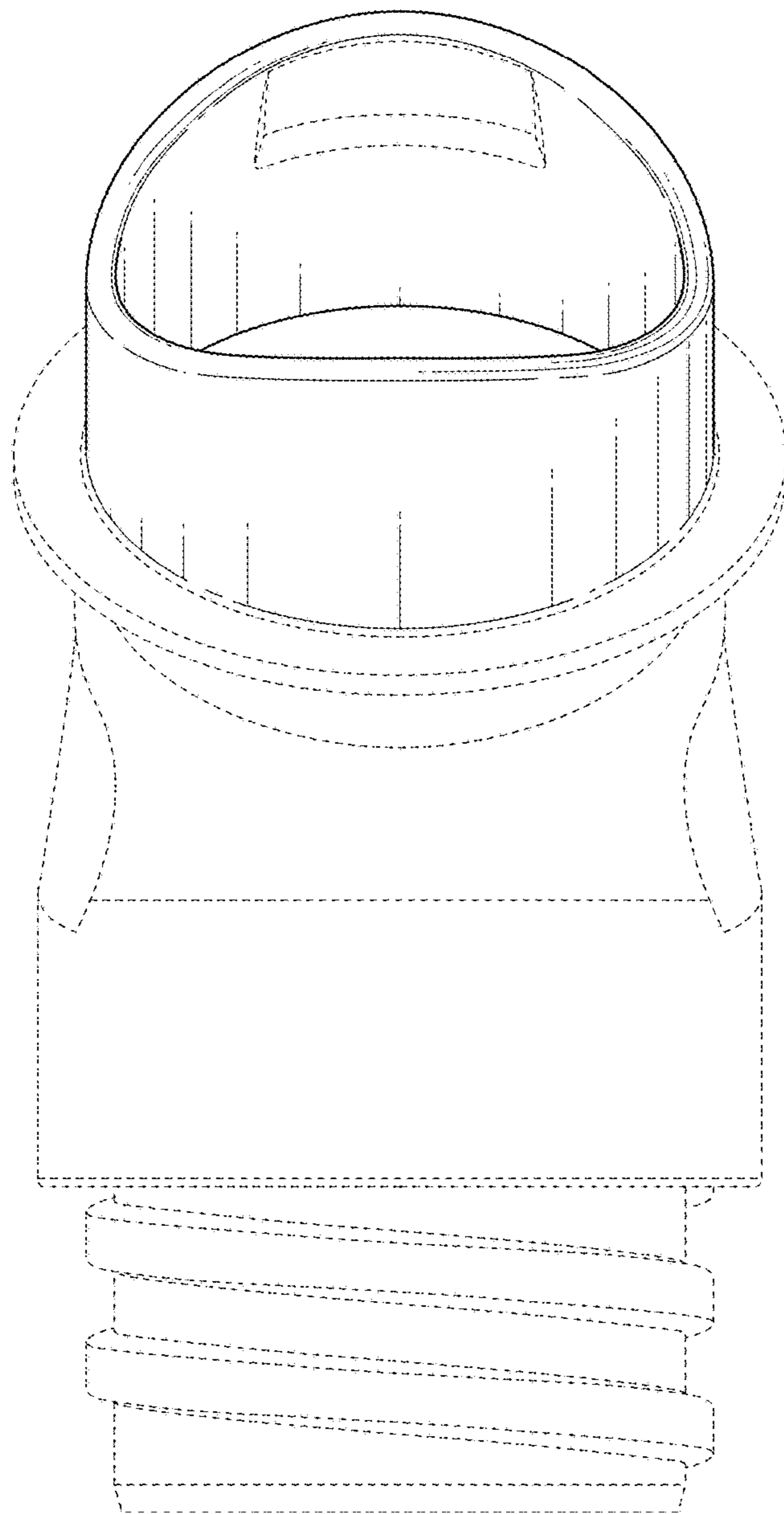


FIG. 7