



US00D851265S

(12) **United States Design Patent**
Hanft

(10) **Patent No.:** **US D851,265 S**

(45) **Date of Patent:** **** Jun. 11, 2019**

(54) **FOREFOOT ORTHOTIC DEVICE**
(71) Applicant: **Jason R. Hanft**, South Miami, FL (US)
(72) Inventor: **Jason R. Hanft**, South Miami, FL (US)
(**) Term: **15 Years**
(21) Appl. No.: **29/590,901**

(22) Filed: **Jan. 13, 2017**
(51) **LOC (11) Cl.** **24-01**
(52) **U.S. Cl.**
USPC **D24/192**
(58) **Field of Classification Search**
USPC D2/961; D24/189–192
CPC A43B 13/14; A43B 13/141; A43B 7/142;
A43B 13/16
See application file for complete search history.

(56) **References Cited**

U.S. PATENT DOCUMENTS

1,684,948	A	9/1928	Degling	
1,866,598	A	7/1932	Johnson	
1,907,136	A	5/1933	Weitsen	
2,018,233	A	10/1935	Smith, Jr.	
2,020,395	A	11/1935	Bilbrey et al.	
2,475,417	A	7/1949	Wysowski	
2,533,601	A	12/1950	McCormick	
2,569,184	A	9/1951	Longini	
2,580,094	A	12/1951	Higgs	
2,613,456	A	10/1952	Amico	
2,765,546	A	10/1956	Johnson	
2,835,379	A	5/1958	Scholl	
3,742,627	A	7/1973	Schneider	
D396,550	S	8/1998	Feldman et al.	
D531,790	S	* 11/2006	Wurzburg	D2/961
D598,560	S	* 8/2009	Powaser	D24/192
D632,881	S	* 2/2011	Rosenberg	D2/961
D641,146	S	* 7/2011	Cappaert	D2/961
D655,076	S	* 3/2012	Rosenberg	D2/961
D696,845	S	* 1/2014	Weaver, II	D2/961

D761,437	S	* 7/2016	Spiteri	D2/949
D810,301	S	* 2/2018	Gossman	D24/171
2004/0194348	A1	* 10/2004	Campbell	A43B 7/142
				36/93
2005/0039349	A1	* 2/2005	Grisoni	A43B 7/1425
				36/71
2010/0263232	A1	* 10/2010	Smirman	A43B 5/1641
				36/43
2015/0047221	A1	* 2/2015	Hanft	A43B 7/141
				36/44
2018/0200099	A1	* 7/2018	Hanft	A61F 5/14

FOREIGN PATENT DOCUMENTS

EP 0327930 8/1989

* cited by examiner

Primary Examiner — Jennifer L Watkins

(74) *Attorney, Agent, or Firm* — Richard P. Gilly, Esq.;
Archer & Greiner, P.C.

(57) **CLAIM**

The ornamental design for a forefoot orthotic device, as shown and described.

DESCRIPTION

FIG. 1 is a perspective view of a forefoot orthotic device showing my new design;
FIG. 2 is a side elevational view of one of the two sides of the design of FIG. 1 with the side-elevational view of the other side being a mirror image thereof;
FIG. 3 is a rear-elevational view thereof;
FIG. 4 is a top-plan view thereof;
FIG. 5 is a perspective view thereof, rotated 180° from the orientation of the design shown in FIG. 1;
FIG. 6 is a perspective view thereof, rotated 90° clockwise from the orientation of the design shown in FIG. 5; and,
FIG. 7 is a bottom-plan view thereof.
The stippling indicates surface contrast.

1 Claim, 2 Drawing Sheets

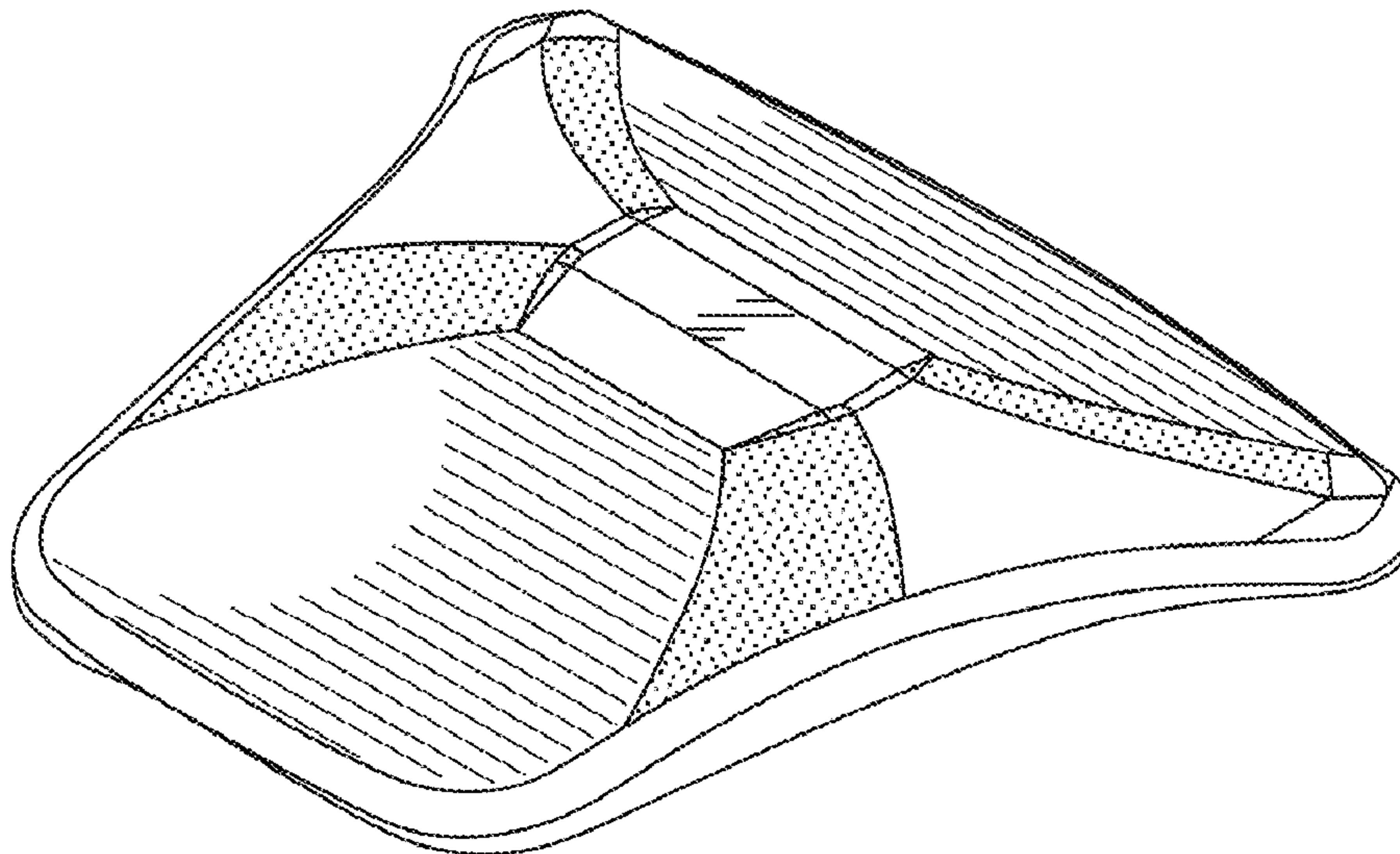


Fig. 1

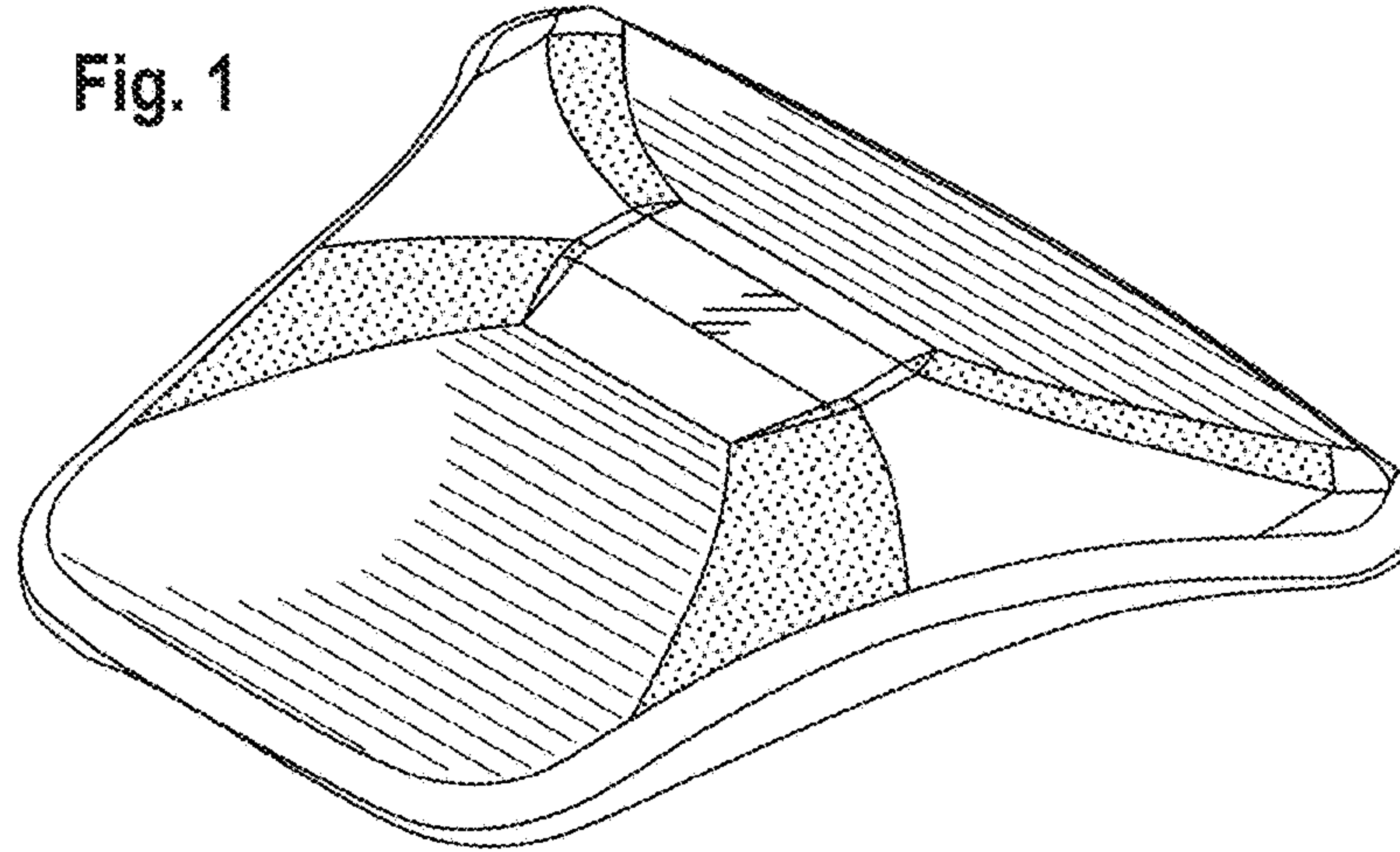


Fig. 2

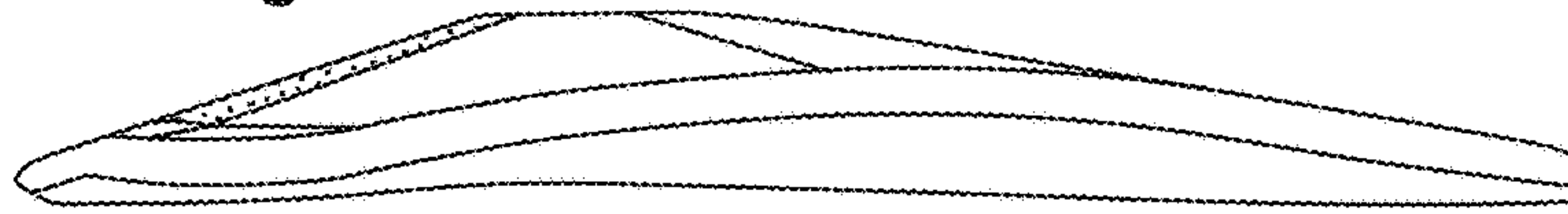


Fig. 3

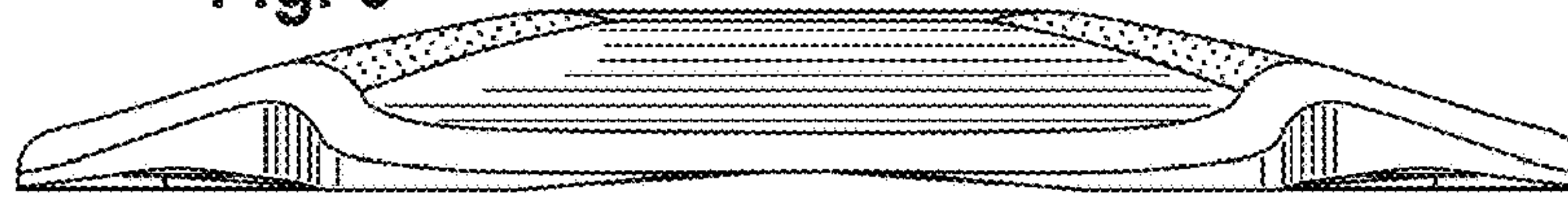


Fig. 4

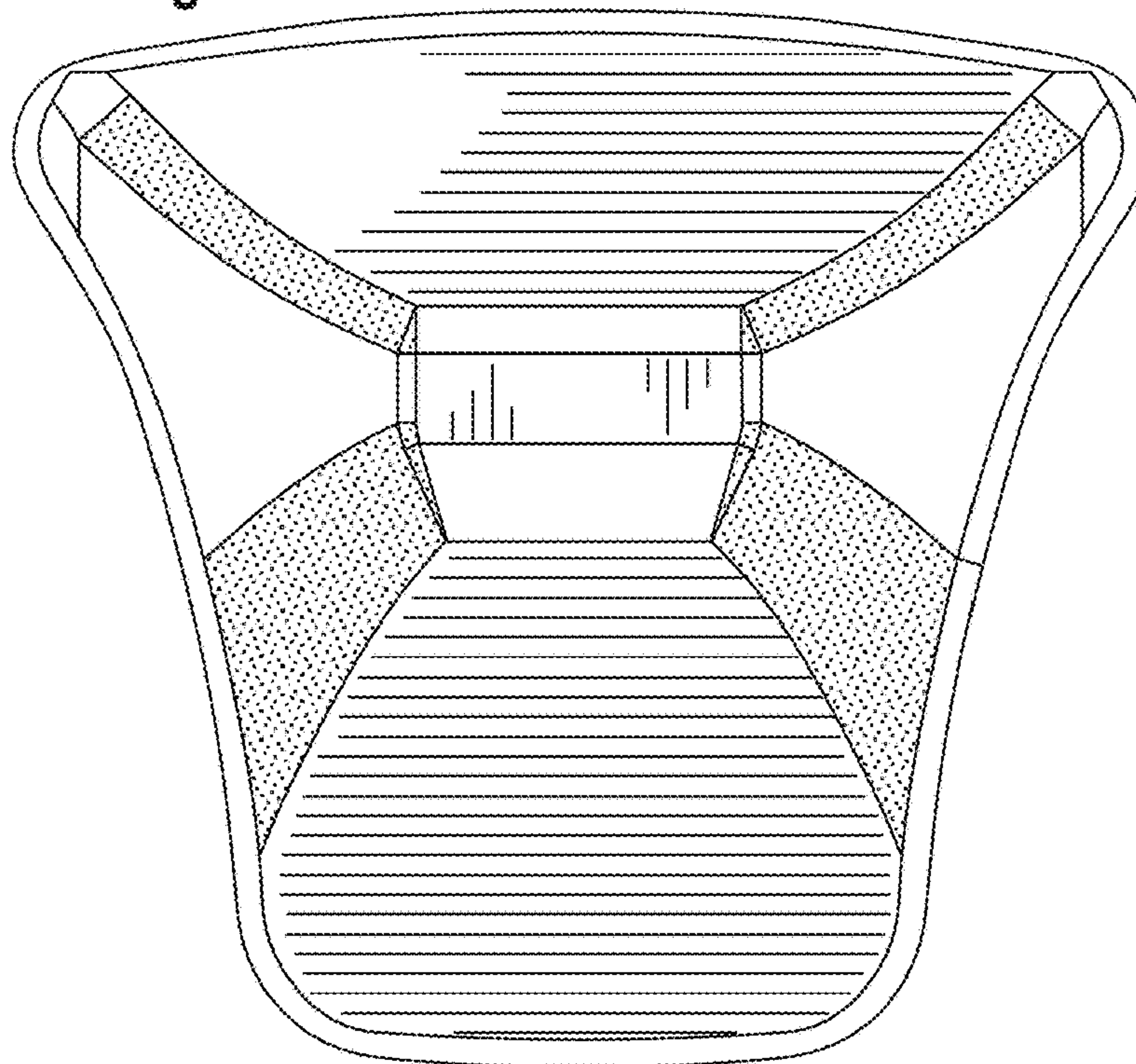


Fig. 5

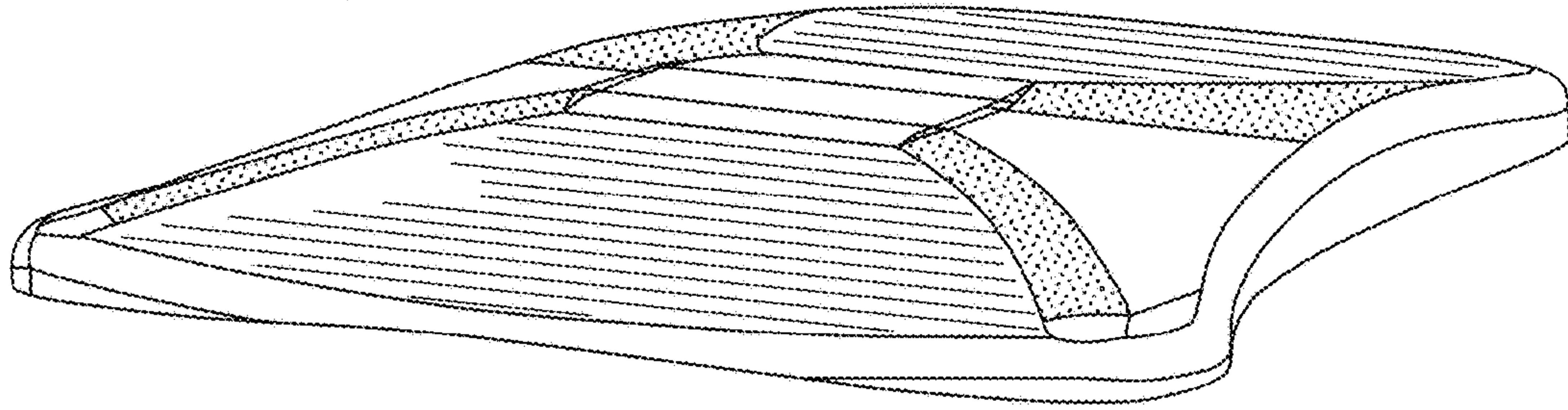


Fig. 6

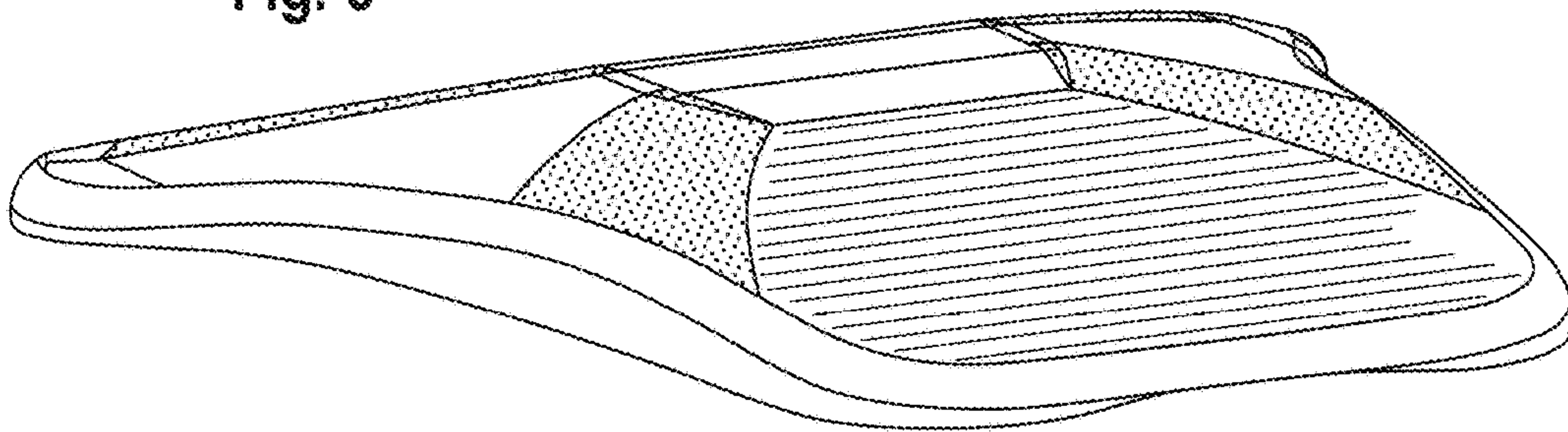


Fig. 7

