



US00D851261S

(12) **United States Design Patent** (10) **Patent No.:** **US D851,261 S**
Ricks (45) **Date of Patent:** **** Jun. 11, 2019**

- (54) **MEDICAL CONNECTION PAD**
- (71) Applicant: **Avery Dennison Corporation**,
Glendale, CA (US)
- (72) Inventor: **Gabrielle M. Ricks**, Lakewood, OH
(US)
- (73) Assignee: **Avery Dennison Corporation**,
Glendale, CA (US)
- (**) Term: **15 Years**
- (21) Appl. No.: **29/647,268**
- (22) Filed: **May 11, 2018**
- (51) **LOC (11) Cl.** **24-01**
- (52) **U.S. Cl.**
USPC **D24/189**
- (58) **Field of Classification Search**
USPC D24/127-130, 187-190
CPC A61F 13/023; A61F 13/0259; A61F
2013/00412; A61F 2013/00846; A61F
13/0203; A61B 5/0408; A61N 1/0456;
Y10T 428/14; Y10T 428/15; Y10T
428/149; Y10T 428/1495; Y10T
428/1471; Y10T 428/24793; Y10T
428/24802; Y10T 428/1476; Y10T
428/24777; Y10T 428/2848
See application file for complete search history.

- (56) **References Cited**
U.S. PATENT DOCUMENTS
4,370,984 A * 2/1983 Cartmell A61B 5/04026
600/385
D272,943 S * 3/1984 Stone D24/134
D298,355 S * 11/1988 Young D24/128
5,511,548 A * 4/1996 Riazzi A61B 5/0408
600/391
D403,774 S * 1/1999 Laughlin D24/189

- D429,337 S * 8/2000 Sanfilippo D24/187
- D477,085 S * 7/2003 Sanfilippo D24/187
- 6,607,799 B1 8/2003 Heinecke et al.
- D481,131 S * 10/2003 Saim D24/189
- 6,787,681 B2 9/2004 Murakami et al.
- D516,212 S * 2/2006 Persson D24/128
- 7,094,944 B2 8/2006 Faasse
- D539,424 S * 3/2007 Persson D24/128
- D544,607 S * 6/2007 Henry D24/189
- 7,317,134 B2 1/2008 Faasse
- D576,282 S * 9/2008 Yanaki D24/189
- 7,563,941 B2 7/2009 Lebner et al.
- D616,994 S * 6/2010 Cummings D24/187
- 8,084,665 B2 12/2011 Liedtke et al.
- 8,497,407 B2 7/2013 Fabo et al.
- 8,604,265 B2 12/2013 Locke et al.
- D715,928 S * 10/2014 Kyvik D24/128

(Continued)

Primary Examiner — Jennifer L Watkins
(74) *Attorney, Agent, or Firm* — Avery Dennison Corporation

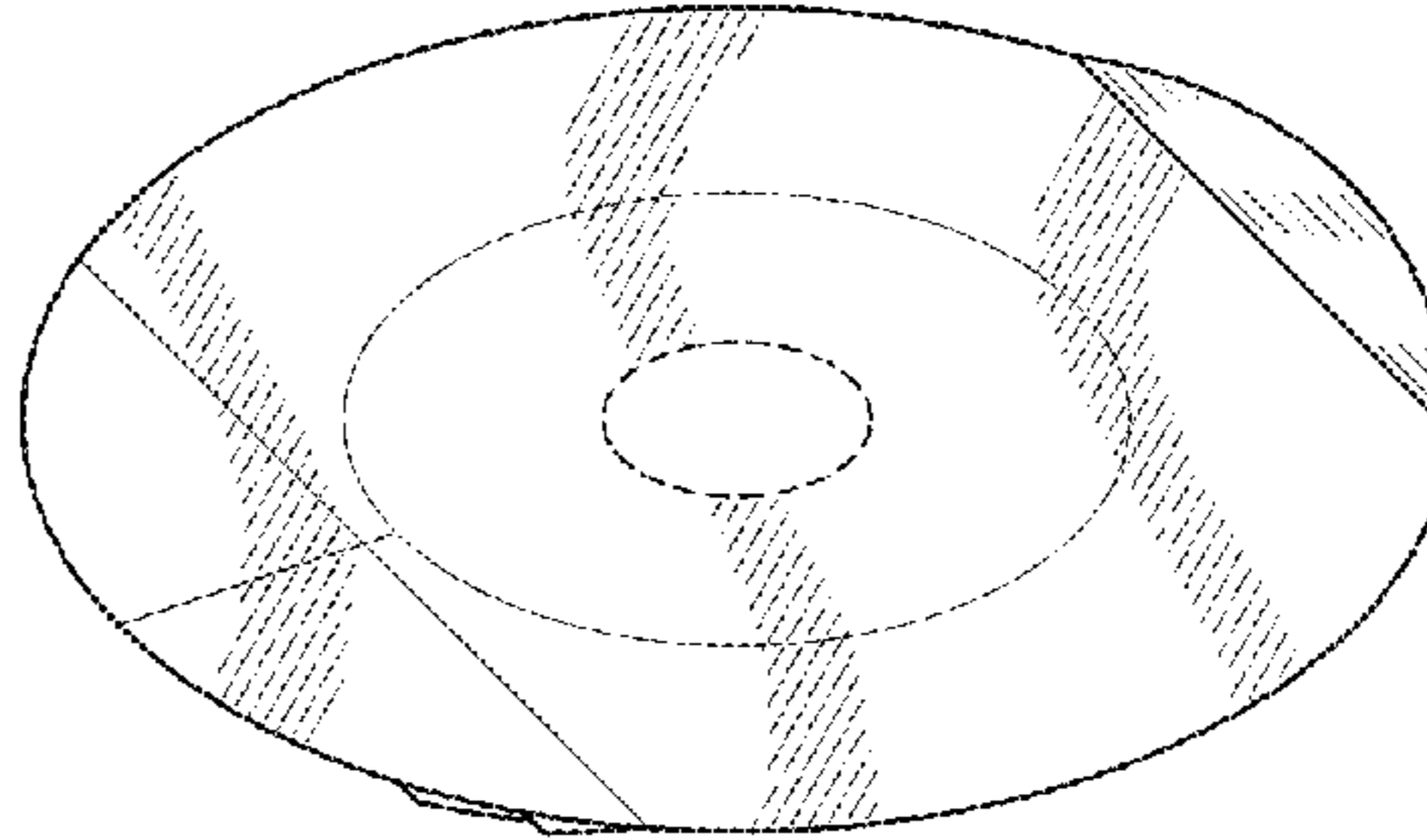
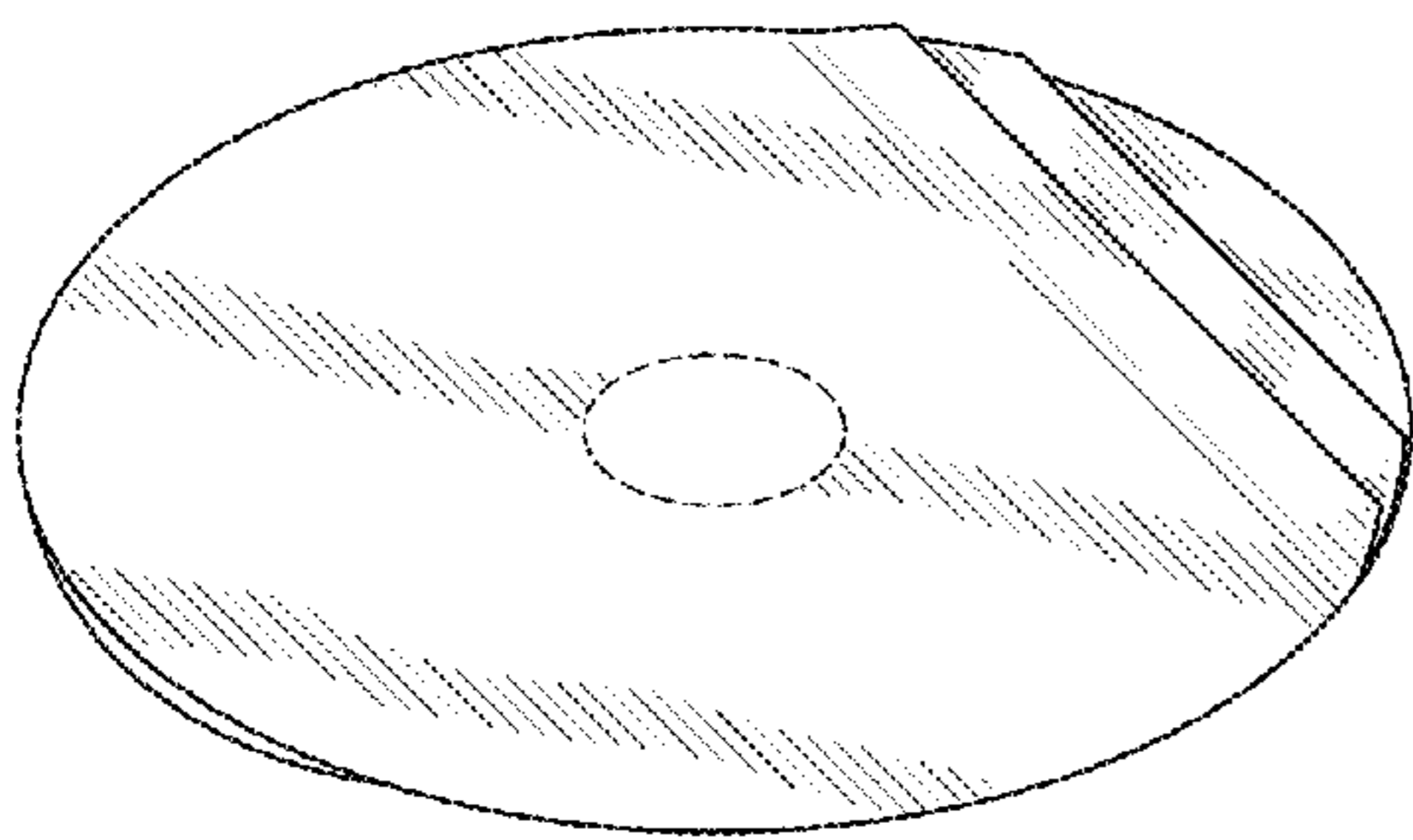
(57) **CLAIM**

The ornamental design for a medical connection pad, as shown and described.

DESCRIPTION

FIG. 1 is a front isometric view of the medical connection pad;
FIG. 2 is a rear isometric view of the medical connection pad;
FIG. 3 is a front view of the medical connection pad;
FIG. 4 is a rear view of the medical connection pad;
FIG. 5 is a top view of the medical connection pad;
FIG. 6 is a bottom view of the medical connection pad;
FIG. 7 is a left side view of the medical connection pad; and,
FIG. 8 is a right side view of the medical connection pad.
The broken lines in the Figures are for the purposes of depicting portions of the medical connection pad and form no part of the claimed design.

1 Claim, 2 Drawing Sheets



(56)

References Cited

U.S. PATENT DOCUMENTS

D717,452 S * 11/2014 Boggs D24/189
9,192,444 B2 11/2015 Locke et al.
9,198,802 B2 12/2015 Robinson et al.
9,271,876 B2 3/2016 Fabo et al.
D759,828 S * 6/2016 Riedle D24/189
9,393,341 B2 7/2016 Fabo et al.
9,421,132 B2 8/2016 Dunn
9,492,327 B2 11/2016 Heaton et al.
D819,202 S * 5/2018 Svantesson D24/128
D821,589 S * 6/2018 Sakotic D24/189
2014/0058309 A1 2/2014 Addison et al.
2015/0005688 A1 1/2015 Goby
2016/0015569 A1 1/2016 Kazala et al.
2016/0067106 A1 * 3/2016 Howell A61F 13/0203
602/52

2016/0120706 A1 5/2016 Collinson et al.
2017/0007751 A1 1/2017 Hartwell et al.
2017/0014276 A1 1/2017 Buan et al.

* cited by examiner

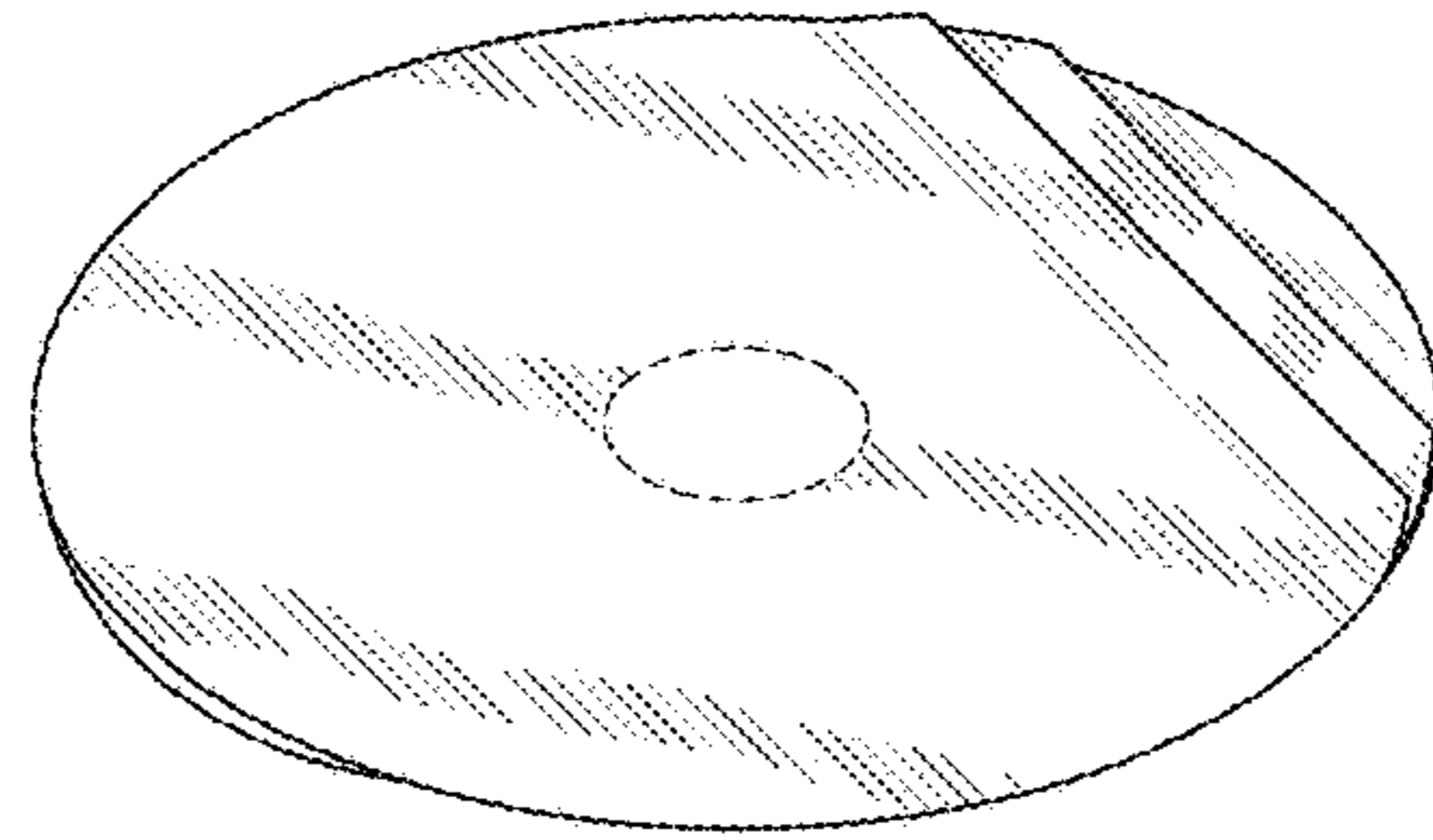


FIG. 1

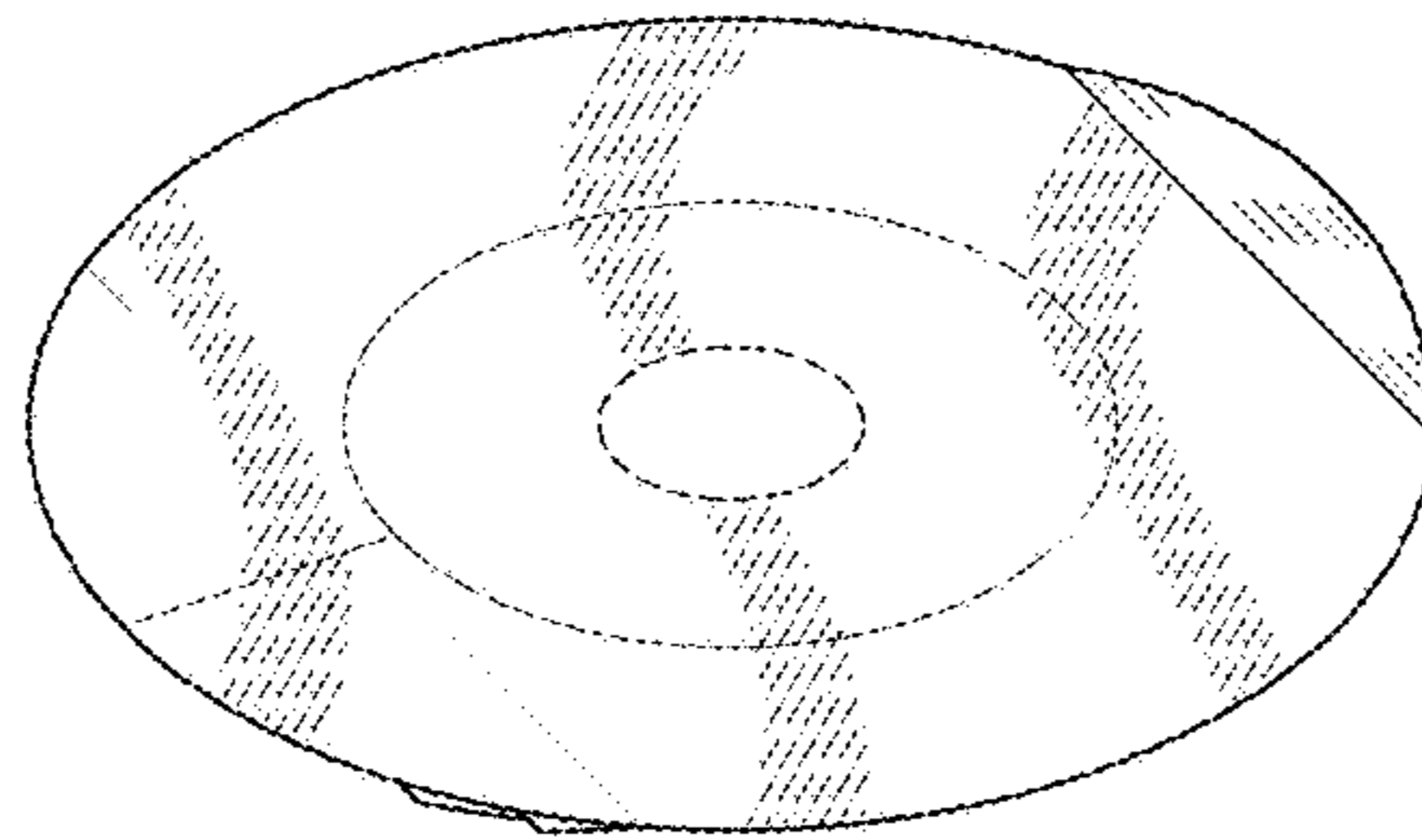


FIG. 2

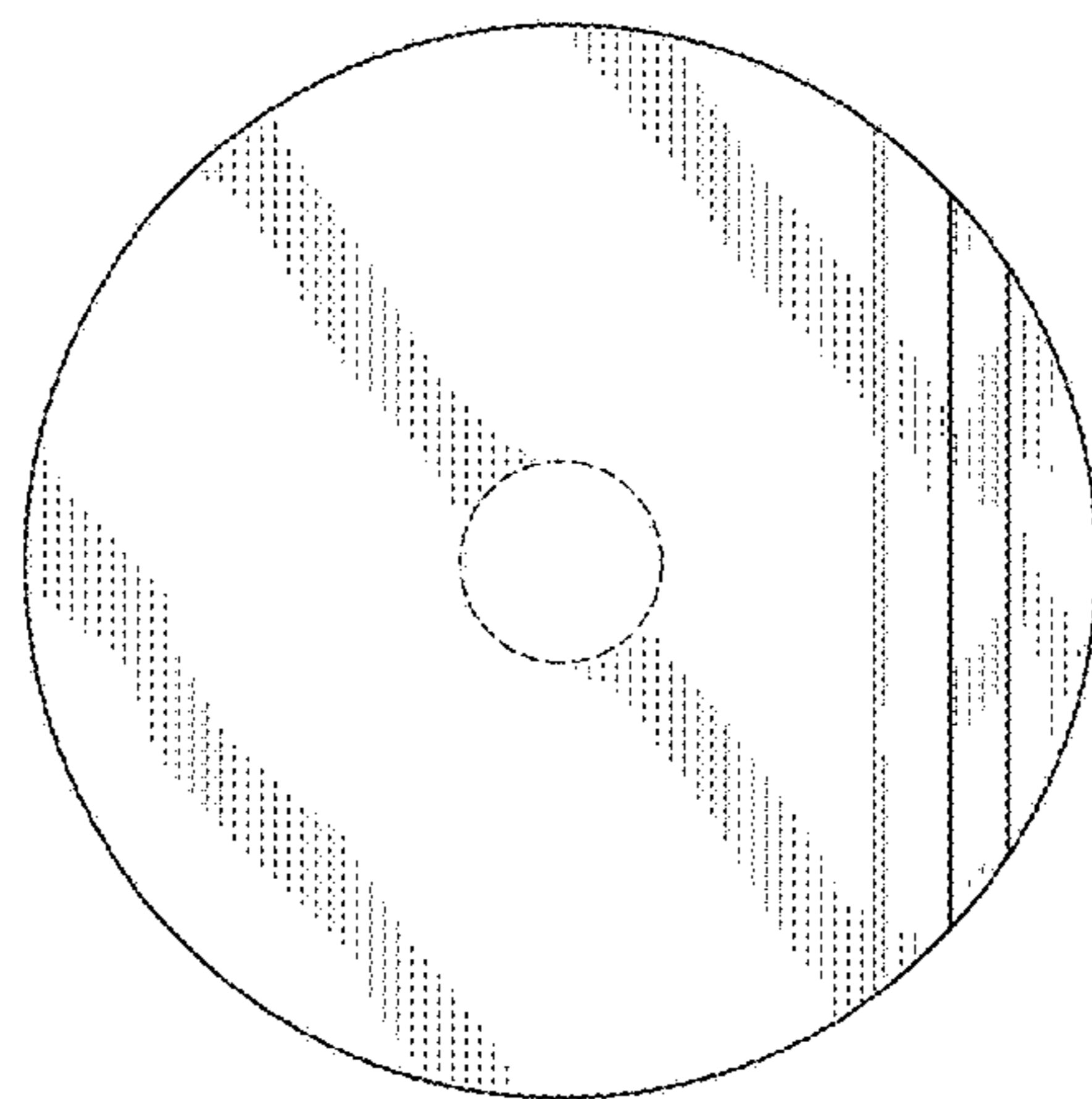


FIG. 3

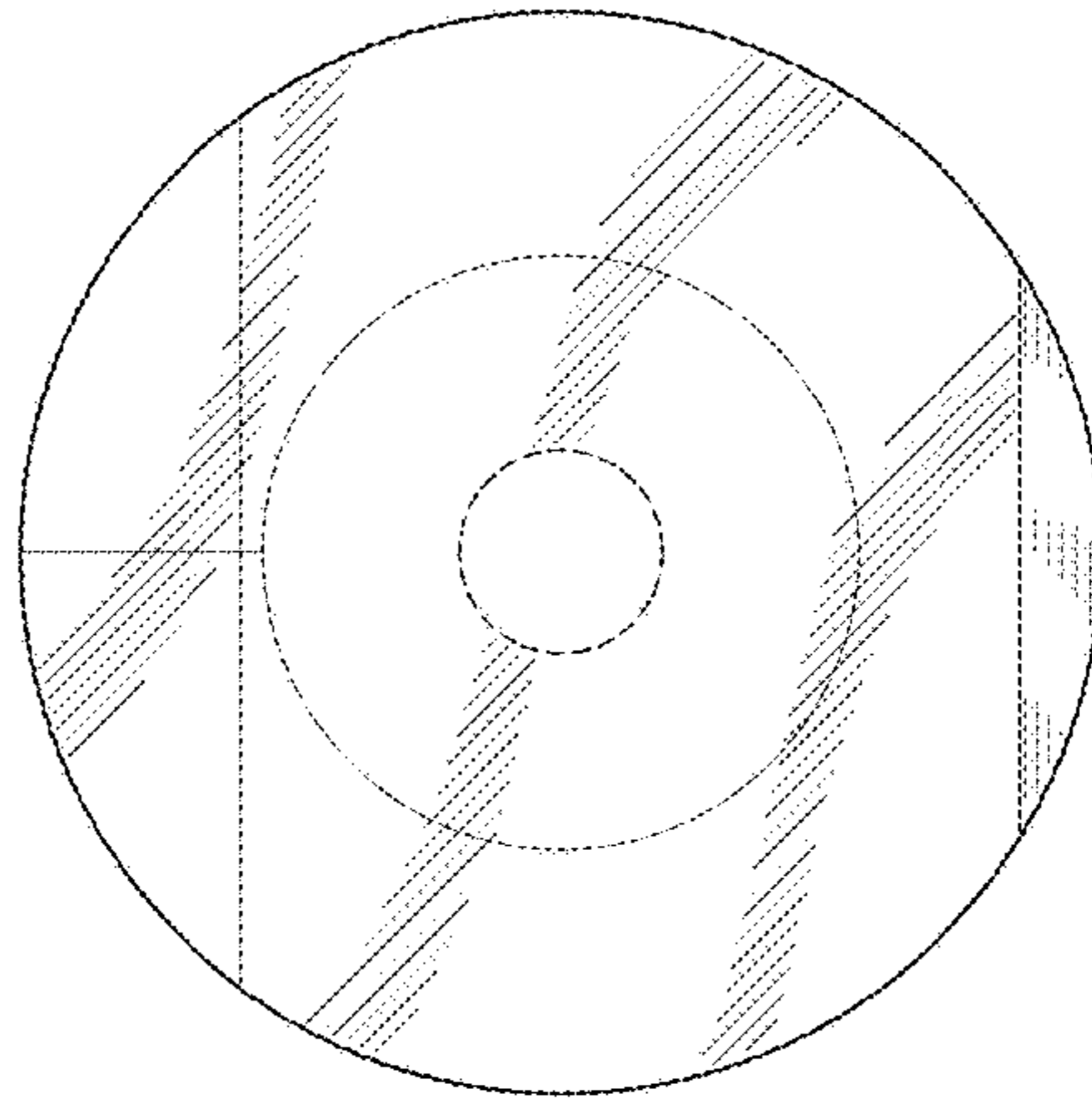


FIG. 4

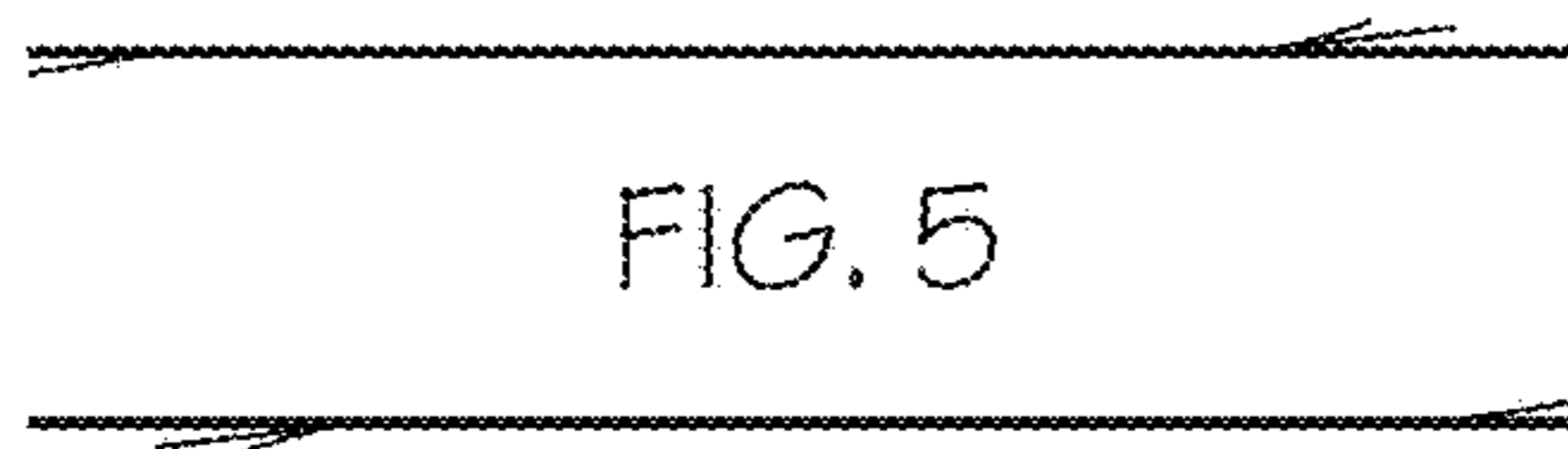


FIG. 5



FIG. 6



FIG. 7



FIG. 8