



US00D851260S

(12) **United States Design Patent**
Cryan

(10) **Patent No.:** **US D851,260 S**
(45) **Date of Patent:** **** Jun. 11, 2019**

- (54) **BIOELECTRODE**
- (71) Applicant: **Neurometrix, Inc.**, Waltham, MA (US)
- (72) Inventor: **Marc Cryan**, Maynard, MA (US)
- (73) Assignee: **Neurometrix, Inc.**, Waltham, MA (US)
- (**) Term: **15 Years**
- (21) Appl. No.: **29/571,228**
- (22) Filed: **Jul. 15, 2016**
- (51) **LOC (11) Cl.** **24-01**
- (52) **U.S. Cl.**
USPC **D24/187**
- (58) **Field of Classification Search**
USPC D24/165–168, 186, 187, 107, 200, 189;
D10/70, 75, 97, 98; 600/301, 372,
600/382–384, 386, 390, 393, 483,
600/500–503, 508, 509, 513; 607/129,
607/152
CPC A61N 1/04; A61N 1/0404; A61N 1/0476;
A61N 1/048; A61N 1/0484; A61N
1/0488; A61N 1/0492; A61N 1/0456;
A61N 1/36014; A61N 1/22; A61N
1/0536; A61B 5/6803; A61B 5/681; A61B
5/6824; A61B 5/6825; A61B 5/024; A61B
5/02405; A61B 5/02438
See application file for complete search history.

- D475,138 S * 5/2003 Baura D24/187
- 8,320,988 B2 * 11/2012 Axelgaard A61B 5/04085
600/372
- 9,220,431 B2 * 12/2015 Holzhacker A61B 5/04085
- D746,987 S * 1/2016 Okuda D24/167
- D754,355 S * 4/2016 Ganapathy D24/186
- D760,395 S * 6/2016 Barbaric D24/186
- 9,730,606 B2 * 8/2017 Bianchi A61B 5/0531
- 2009/0209840 A1 * 8/2009 Axelgaard A61N 1/0452
600/391
- 2013/0158627 A1 * 6/2013 Gozani A61N 1/0456
607/46
- 2014/0296934 A1 * 10/2014 Gozani A61N 1/08
607/46
- 2015/0306387 A1 * 10/2015 Kong A61N 1/36021
607/62

* cited by examiner

Primary Examiner — Anhdao Doan
Assistant Examiner — Mary Shannon Malley
(74) *Attorney, Agent, or Firm* — Pandiscio & Pandiscio

(57) **CLAIM**

The ornamental design for a bioelectrode, as shown and described.

DESCRIPTION

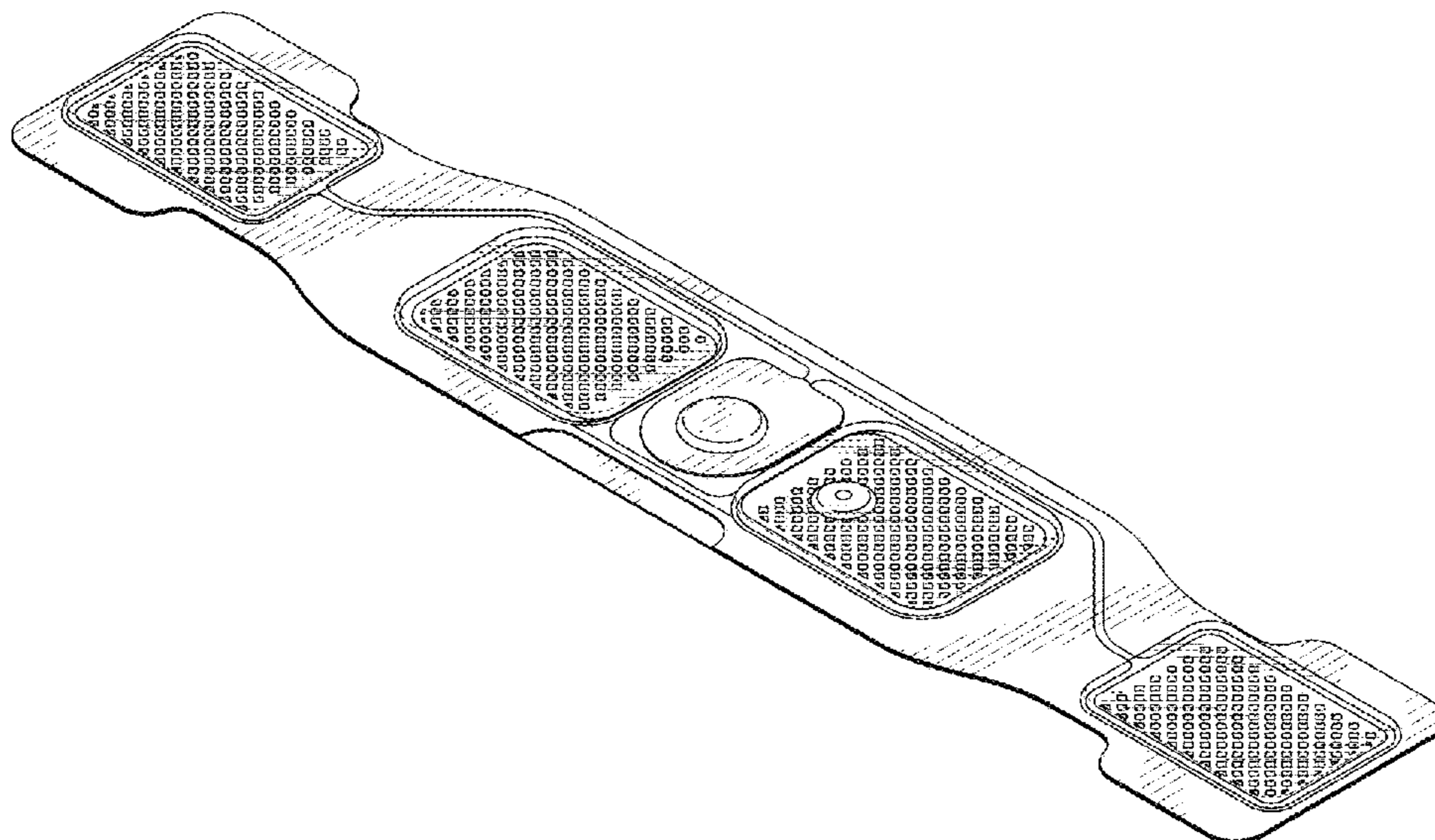
FIG. 1 is a perspective view of the bioelectrode;
FIG. 2 is a front view thereof;
FIG. 3 is a rear view thereof;
FIG. 4 is a side view thereof;
FIG. 5 is the opposite side view thereof;
FIG. 6 is an end view thereof; and,
FIG. 7 is the opposite end view thereof.

1 Claim, 4 Drawing Sheets

(56) **References Cited**

U.S. PATENT DOCUMENTS

- 5,010,896 A * 4/1991 Westbrook A61N 1/0452
607/148
- D407,822 S * 4/1999 Davis D24/190



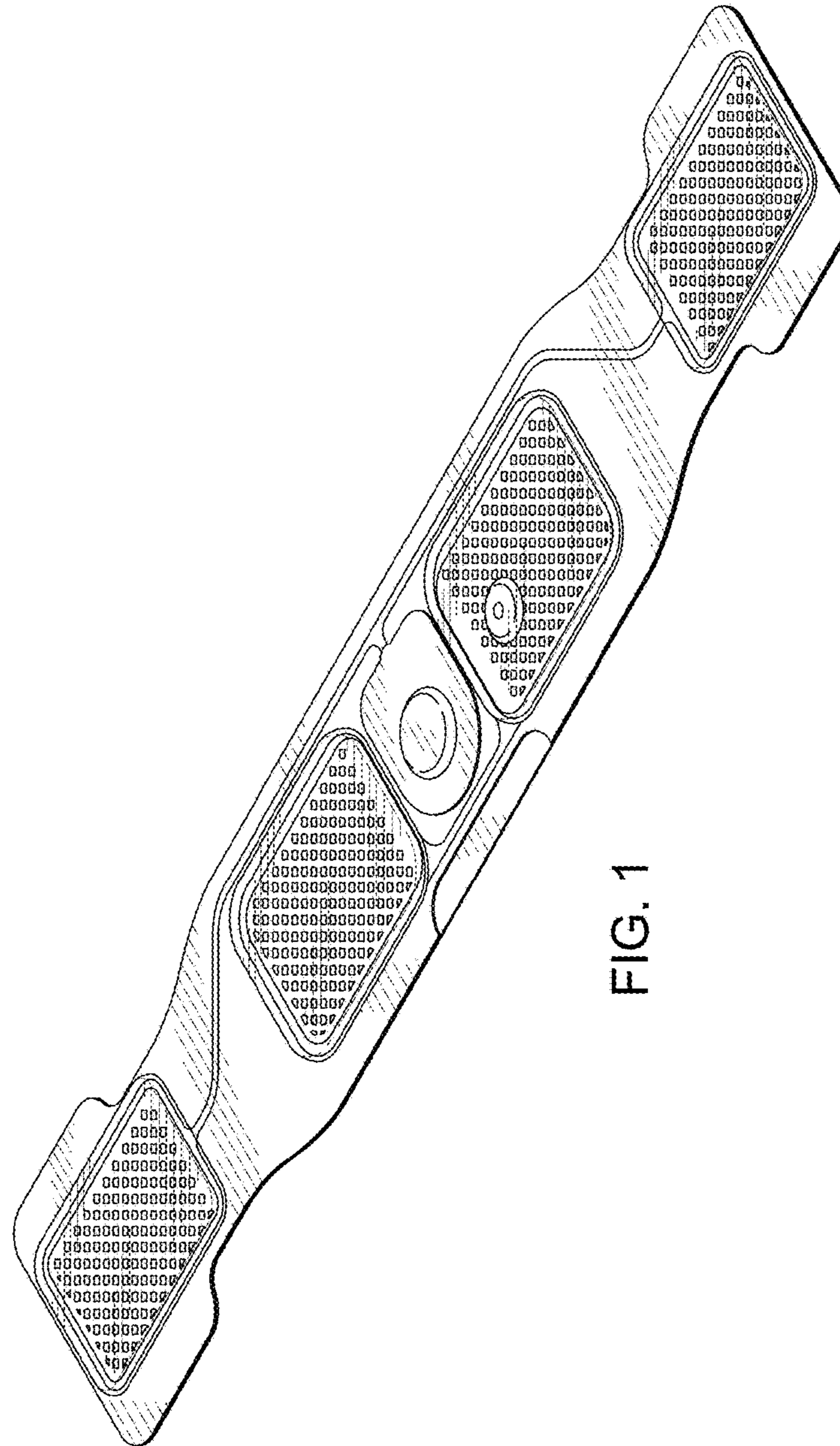


FIG. 1

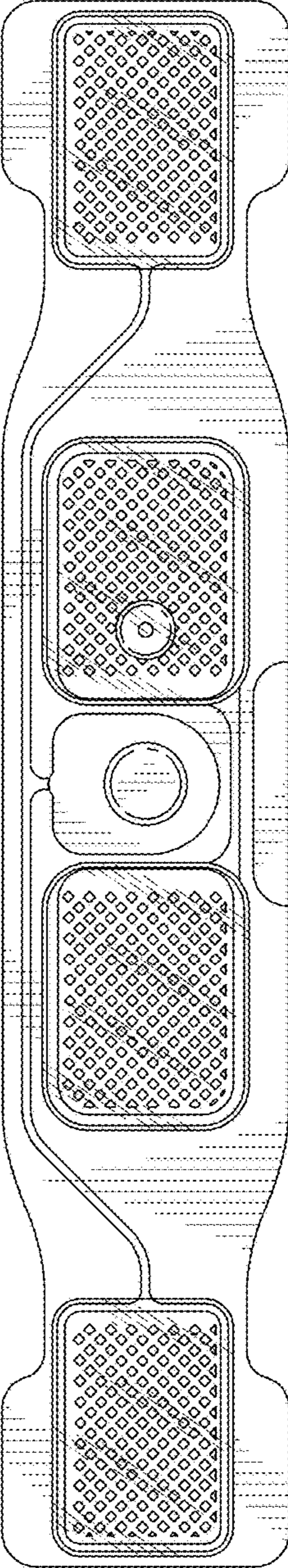


FIG. 2

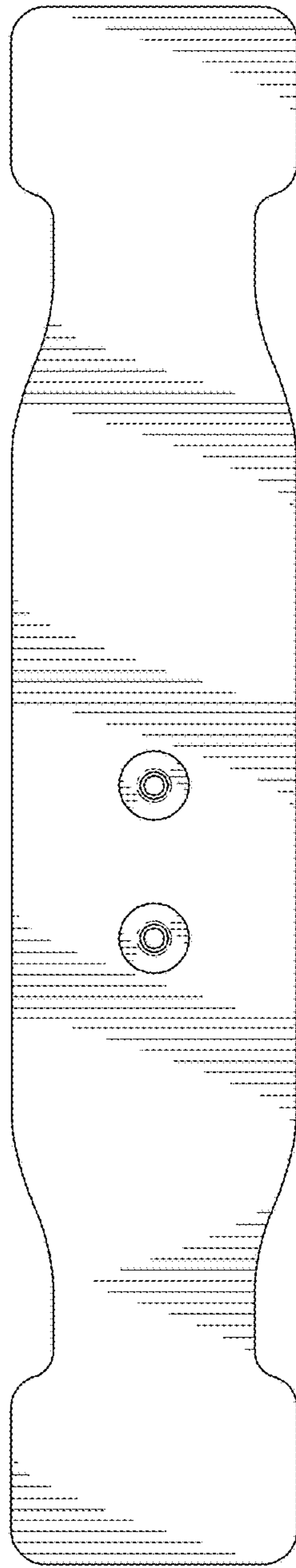


FIG. 3

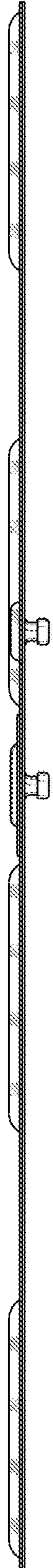


FIG. 4

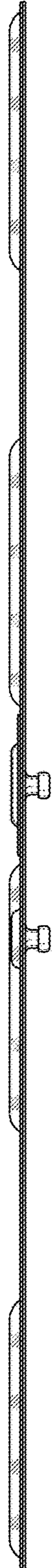


FIG. 5

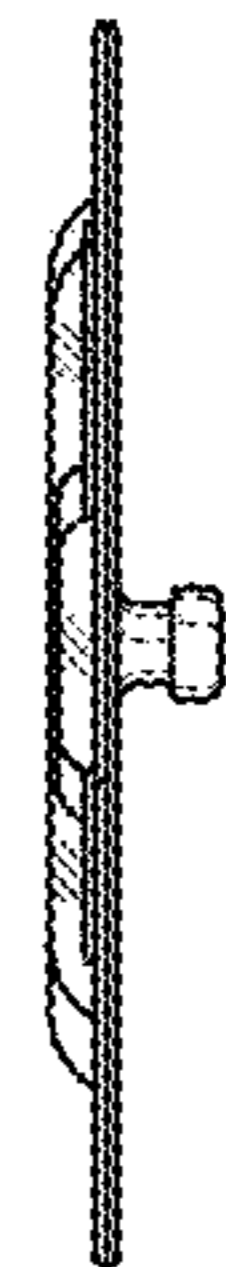


FIG. 6



FIG. 7