



US00D851258S

(12) **United States Design Patent**
Visco

(10) **Patent No.:** **US D851,258 S**
(45) **Date of Patent:** **** Jun. 11, 2019**

- (54) **PATIENT SUPPORT DEVICE**
- (71) Applicant: **Anthony G. Visco**, Chapel Hill, NC
(US)
- (72) Inventor: **Anthony G. Visco**, Chapel Hill, NC
(US)
- (**) Term: **15 Years**
- (21) Appl. No.: **29/588,893**
- (22) Filed: **Dec. 23, 2016**
- (51) **LOC (11) Cl.** **24-01**
- (52) **U.S. Cl.**
USPC **D24/183**
- (58) **Field of Classification Search**
USPC D24/183, 184, 150, 152; D6/360, 361,
D6/367
CPC A47C 1/03; A47C 1/06; A47C 1/08; A47C
1/10; A47C 3/20; A47C 3/265; A47C
3/30; A47C 7/022; A47C 7/36; A47C
7/38; A47C 7/50; A47C 7/506; A61G
13/00; A61G 13/0018; A61G 13/009;
A61G 13/02; A61G 13/12; A61G 13/121;
A61G 13/1285; A61G 13/1295; A61G
15/00; A61G 15/002; A61G 15/007;
A61G 15/02; A61G 15/10; A61G 15/12;
A61G 15/125
See application file for complete search history.

- D344,802 S * 3/1994 Kuck D24/183
- D403,772 S * 1/1999 Fanuzzi D24/183
- D409,751 S * 5/1999 Kemp D24/183
- 7,287,289 B1 * 10/2007 Hagopian A61G 7/05769
5/600
- D604,421 S * 11/2009 Albrecht D24/183
- 7,636,967 B1 * 12/2009 Stokes A61G 13/009
5/620
- D770,049 S * 10/2016 Yanagihara D24/159
- 2004/0068797 A1 * 4/2004 Smith A61G 13/0018
5/617
- 2004/0074003 A1 * 4/2004 Bannister A61G 13/02
5/616
- 2005/0125896 A1 * 6/2005 Cavalier A61G 13/02
5/600

(Continued)

Primary Examiner — David G Muller
Assistant Examiner — Nathan M Johnston
(74) *Attorney, Agent, or Firm* — Stephen Kenny; Foley
Hoag LLP

(57) **CLAIM**

The ornamental design for a patient support device, as shown and described.

DESCRIPTION

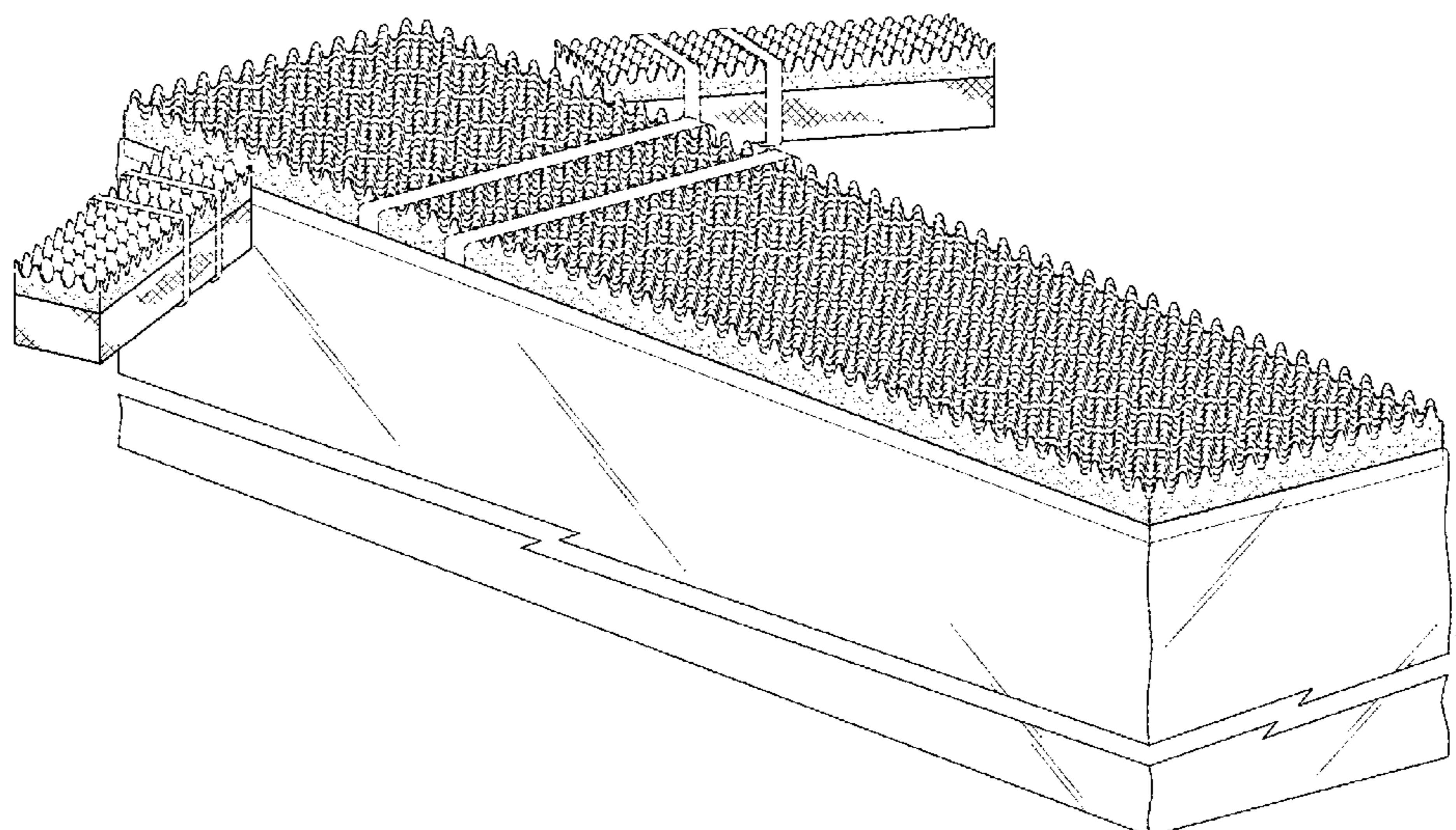
FIG. 1 is a perspective view of the patient support device showing my new design.
FIG. 2 is a rear elevation view thereof.
FIG. 3 is a front elevation view thereof.
FIG. 4 is a left side elevation view thereof.
FIG. 5 is a right side elevation view thereof.
FIG. 6 is a top plan view thereof; and,
FIG. 7 is a bottom plan view thereof.
The patient support device is shown with a symbolic break in its height. The appearance of any portion of the article between the break lines forms no part of the claimed design. The broken lines show portions of the design that form no part of the claimed design.

1 Claim, 5 Drawing Sheets

(56) **References Cited**

U.S. PATENT DOCUMENTS

- 2,258,782 A * 10/1941 McKean A61G 13/0018
108/77
- D170,305 S * 9/1953 Claus D24/183
- D245,287 S * 8/1977 Damico D24/183
- D248,406 S * 7/1978 Hodge D24/183
- D260,172 S * 8/1981 Kyle D24/183
- D304,614 S * 11/1989 Guttormsen D24/183
- D324,103 S * 2/1992 Masuda D24/183



(56)

References Cited

U.S. PATENT DOCUMENTS

2007/0022535 A1* 2/2007 Yue A61G 13/08
5/600
2007/0056105 A1* 3/2007 Hyre A61G 13/02
5/616
2007/0059123 A1* 3/2007 Tangeman A61G 13/0018
411/553
2009/0049603 A1* 2/2009 Martin A61G 5/10
5/83.1
2010/0235995 A1* 9/2010 Liang A61G 13/08
5/618
2011/0195374 A1* 8/2011 Boren A61G 15/002
433/33
2011/0247612 A1* 10/2011 DeSalvo A61M 15/08
128/200.23
2014/0359941 A1* 12/2014 Sharps A61G 13/04
5/610
2016/0095537 A1* 4/2016 Epstein A61B 34/20
600/424

* cited by examiner

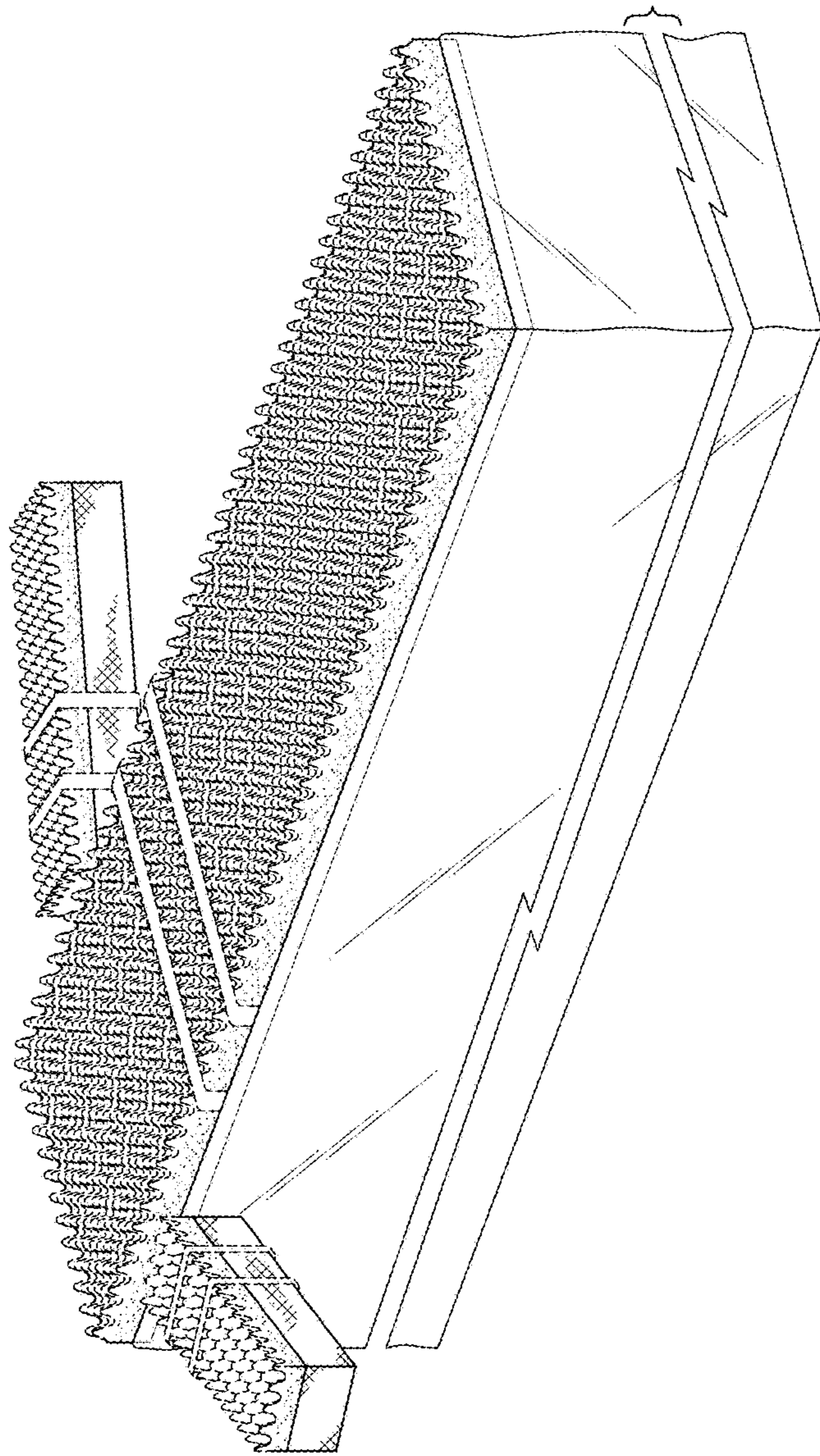


FIG. 1

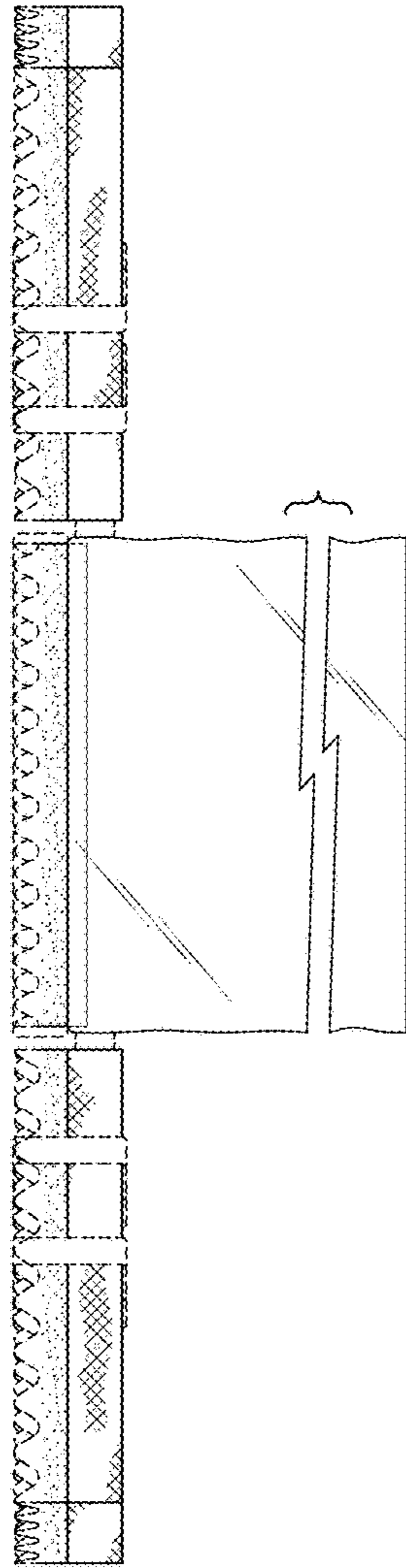


FIG. 2

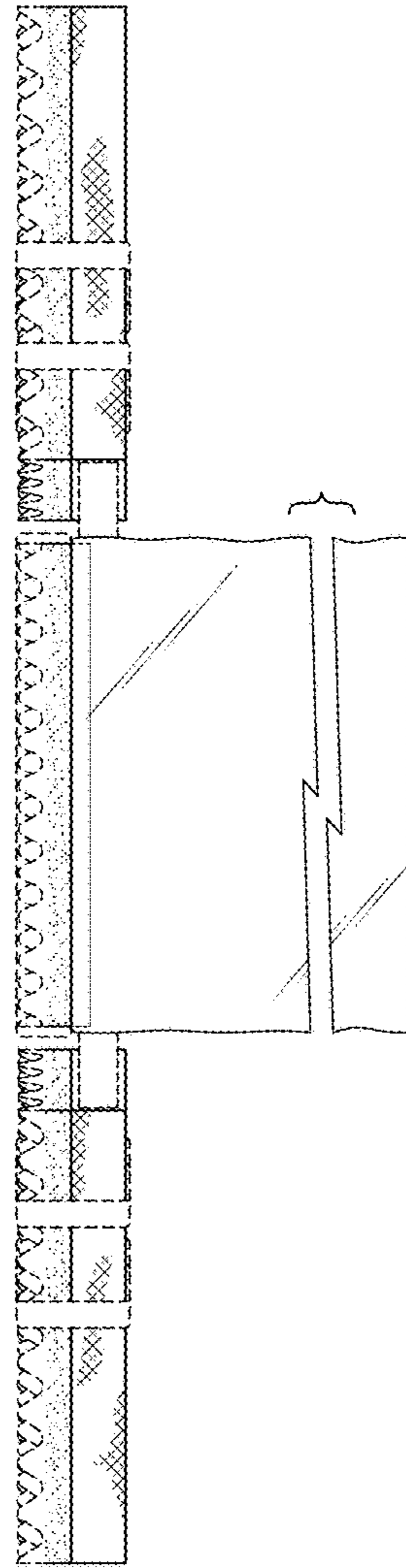


FIG. 3

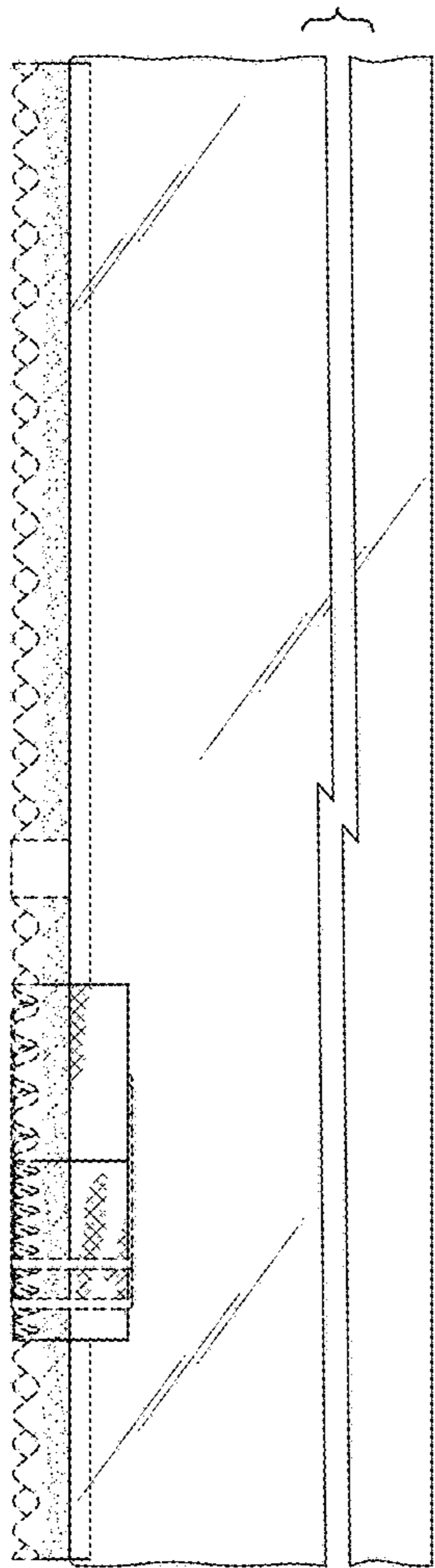


FIG. 4

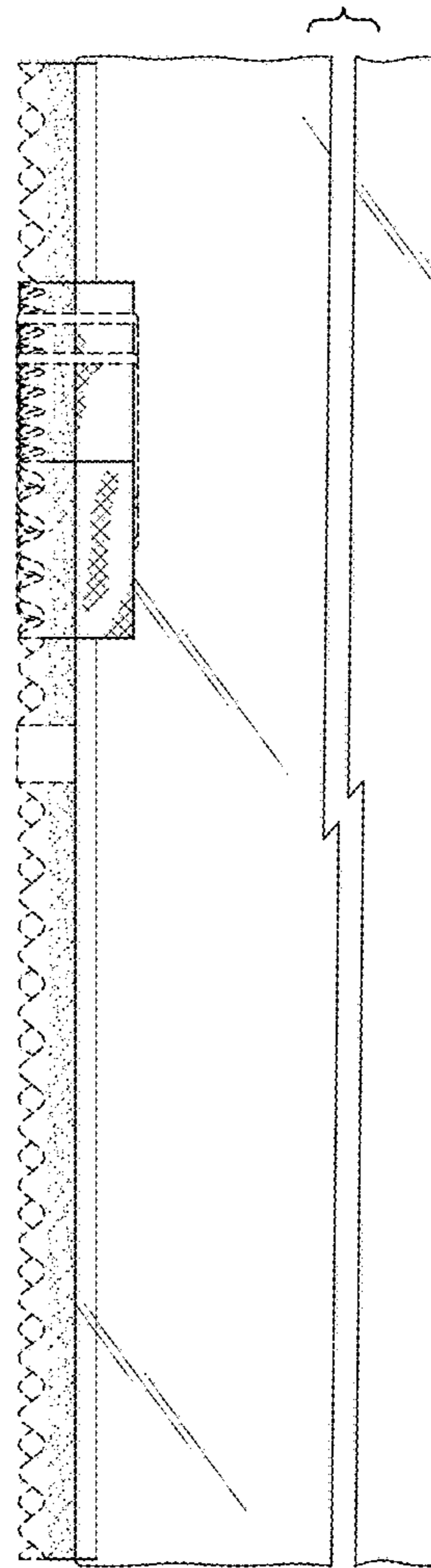


FIG. 5

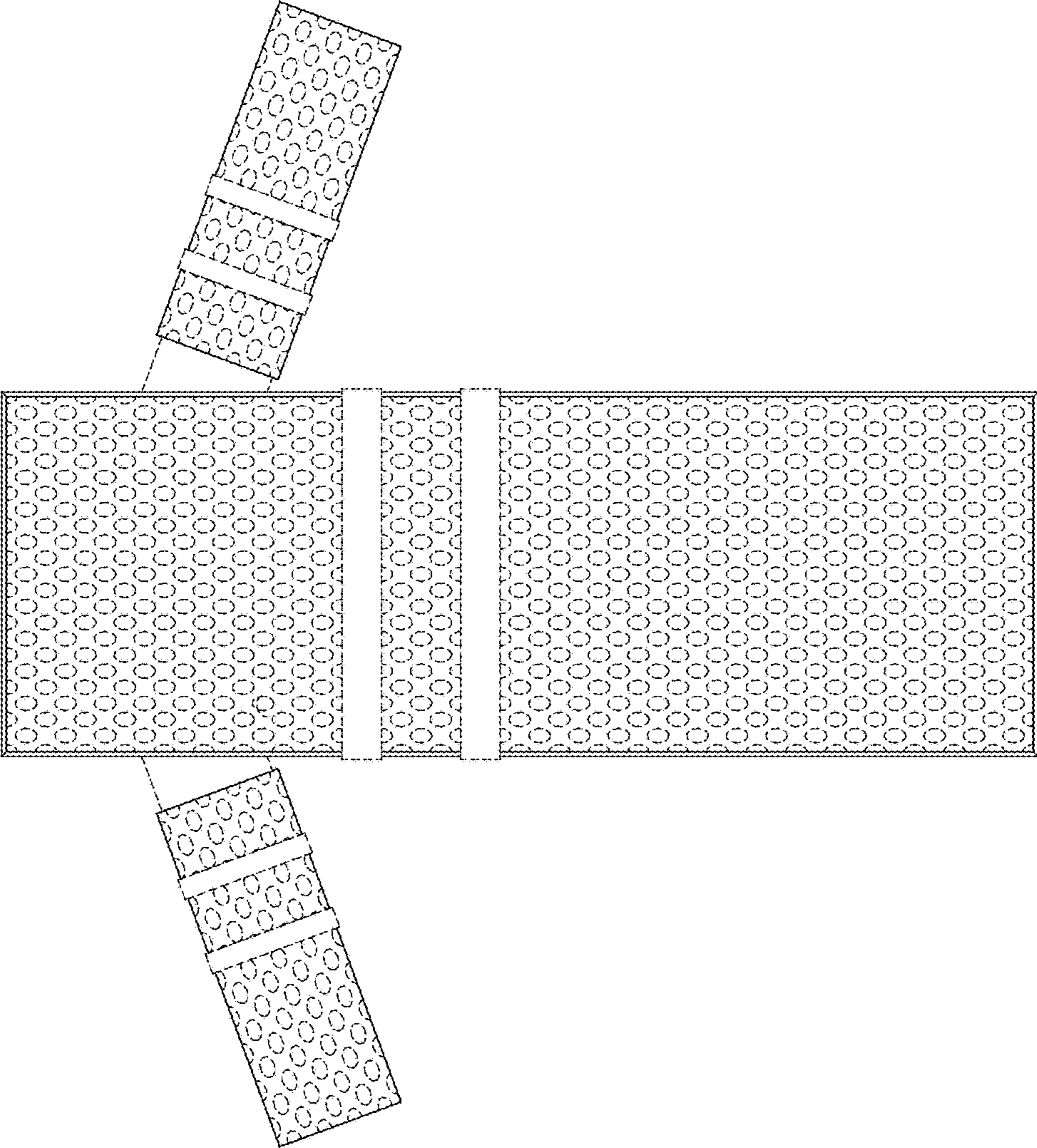


FIG. 6

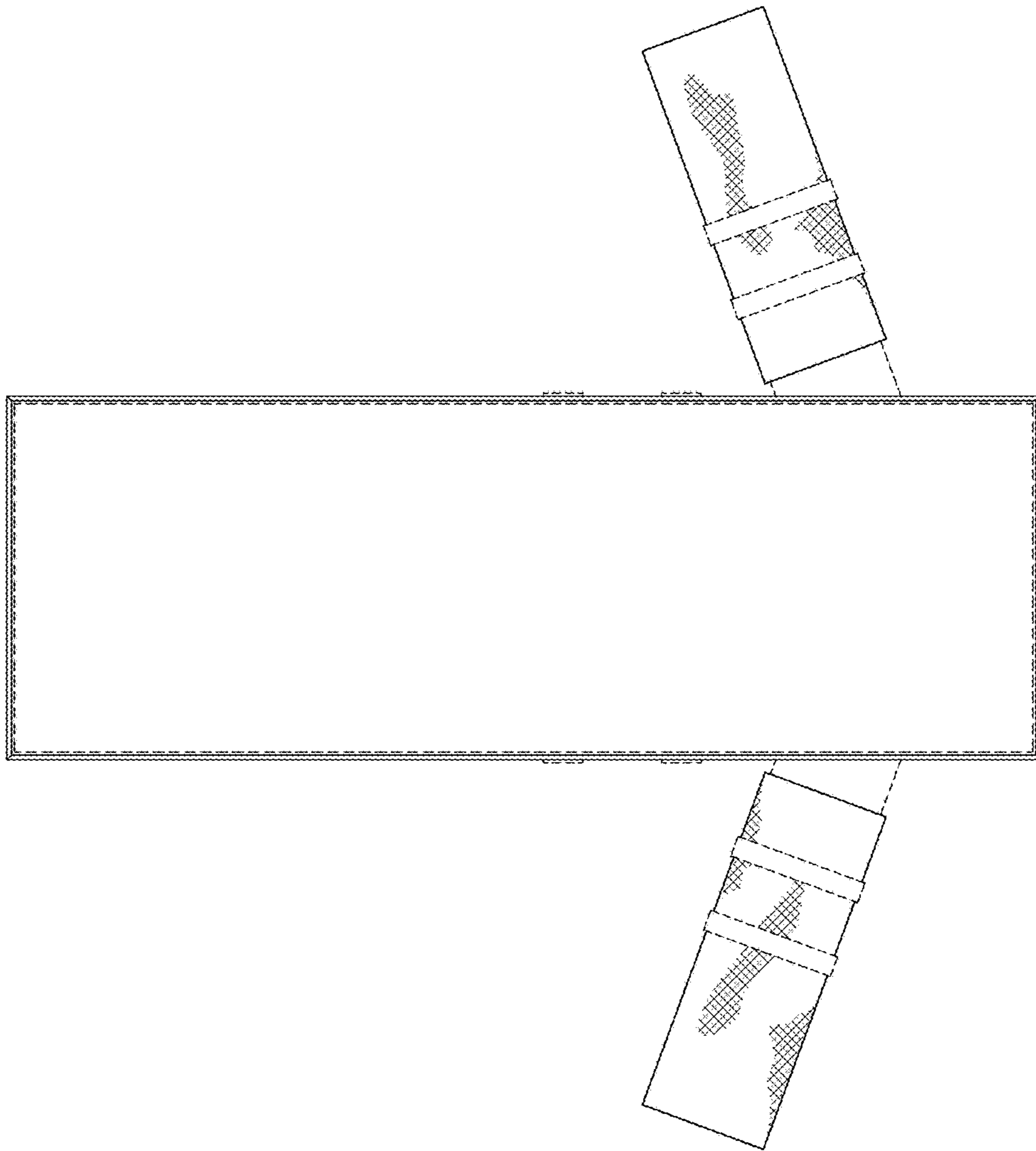


FIG. 7