



US00D851255S

(12) **United States Design Patent**
Fluxman

(10) **Patent No.:** **US D851,255 S**
(45) **Date of Patent:** **** Jun. 11, 2019**

(54) **PNEUMATIC COMPRESSION THERAPY DEVICE**

(71) Applicant: **Mego Afek AC Ltd., Kibbutz Afek (IL)**

(72) Inventor: **Sason Fluxman, Kfar Vradim (IL)**

(73) Assignee: **Mego Afek AC Ltd., Kibbutz Afek (IL)**

(**) Term: **15 Years**

(21) Appl. No.: **29/610,669**

(22) Filed: **Jul. 14, 2017**

(51) **LOC (11) Cl.** **24-01**

(52) **U.S. Cl.**
USPC **D24/169**

(58) **Field of Classification Search**
USPC D24/143, 165, 167, 169, 186, 189, 200,
D24/108, 111; D15/7-9
CPC A61H 2209/00; A61H 2201/5002; A61H
2201/5015

See application file for complete search history.

(56) **References Cited**

U.S. PATENT DOCUMENTS

D315,406 S *	3/1991	Dye	D24/169
D362,721 S *	9/1995	Peeler	D24/169
5,575,762 A *	11/1996	Peeler	A61H 9/0078 601/152
5,968,073 A *	10/1999	Jacobs	A61B 34/74 601/152
6,558,338 B1 *	5/2003	Wasserman	A61H 9/0078 601/152

D476,421 S *	6/2003	Heston	D24/169
D492,325 S *	6/2004	Niwatsukino	D15/7
D670,393 S *	11/2012	Nygaardh	D24/169
D679,291 S *	4/2013	Ohm	D15/7
D737,447 S *	8/2015	Fluxman	D24/169
D737,448 S *	8/2015	Fluxman	D24/169
D794,209 S *	8/2017	Hsieh	D24/200
2012/0209153 A1 *	8/2012	Farrow	A61H 9/0092 601/18

* cited by examiner

Primary Examiner — Anhdao Doan

(74) *Attorney, Agent, or Firm* — Lipsitz & McAllister, LLC

(57) **CLAIM**

The ornamental design for a pneumatic compression therapy device, as shown and described.

DESCRIPTION

FIG. 1 is a front, top, and right side perspective view of a pneumatic compression therapy device showing the new design;

FIG. 2 is a top plan view thereof;

FIG. 3 is a bottom plan view thereof;

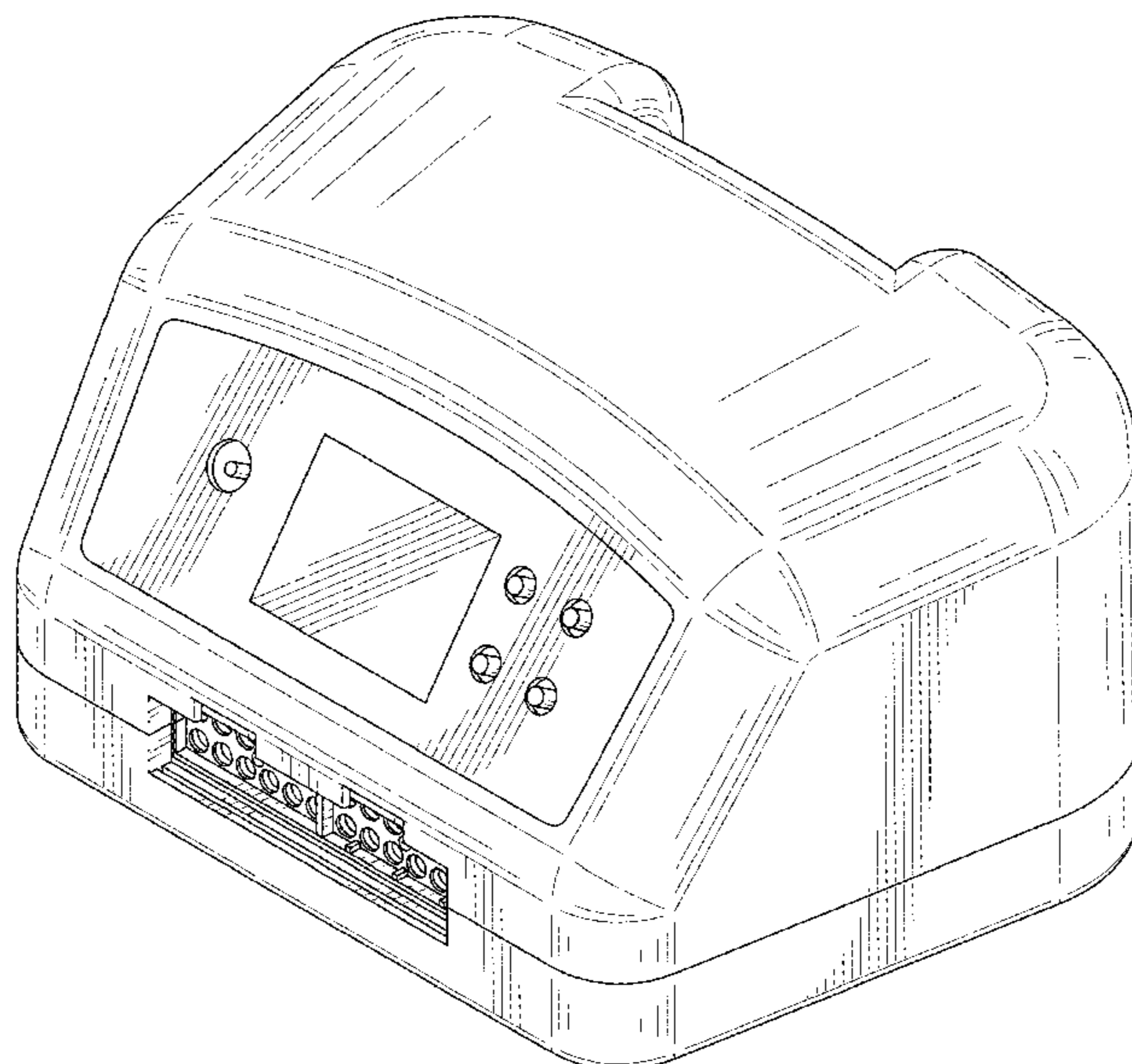
FIG. 4 is a front elevational view thereof;

FIG. 5 is a rear elevational view thereof;

FIG. 6 is a left side elevational view thereof; and,

FIG. 7 is a right side elevational view thereof.

1 Claim, 4 Drawing Sheets



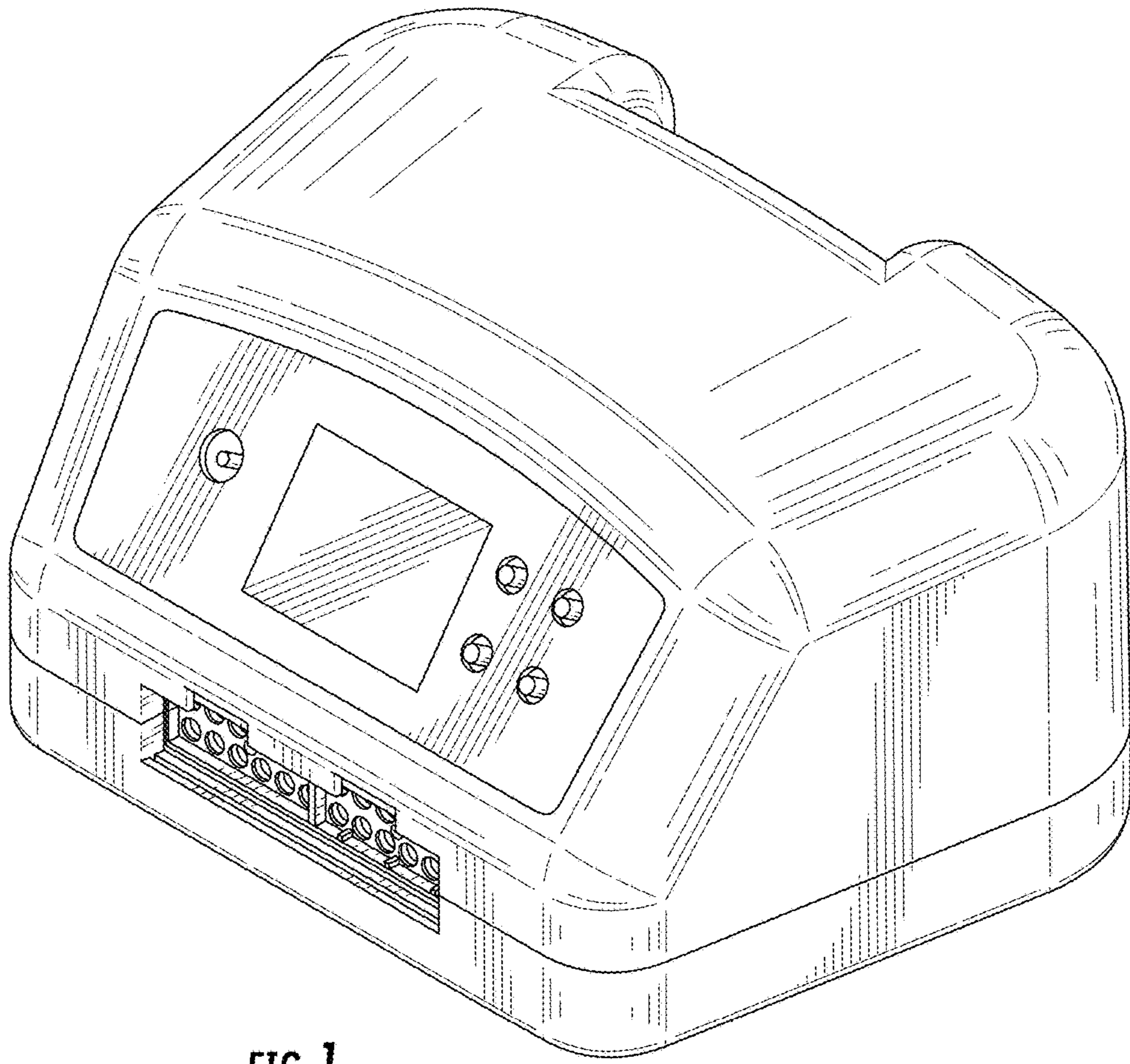


FIG. 1

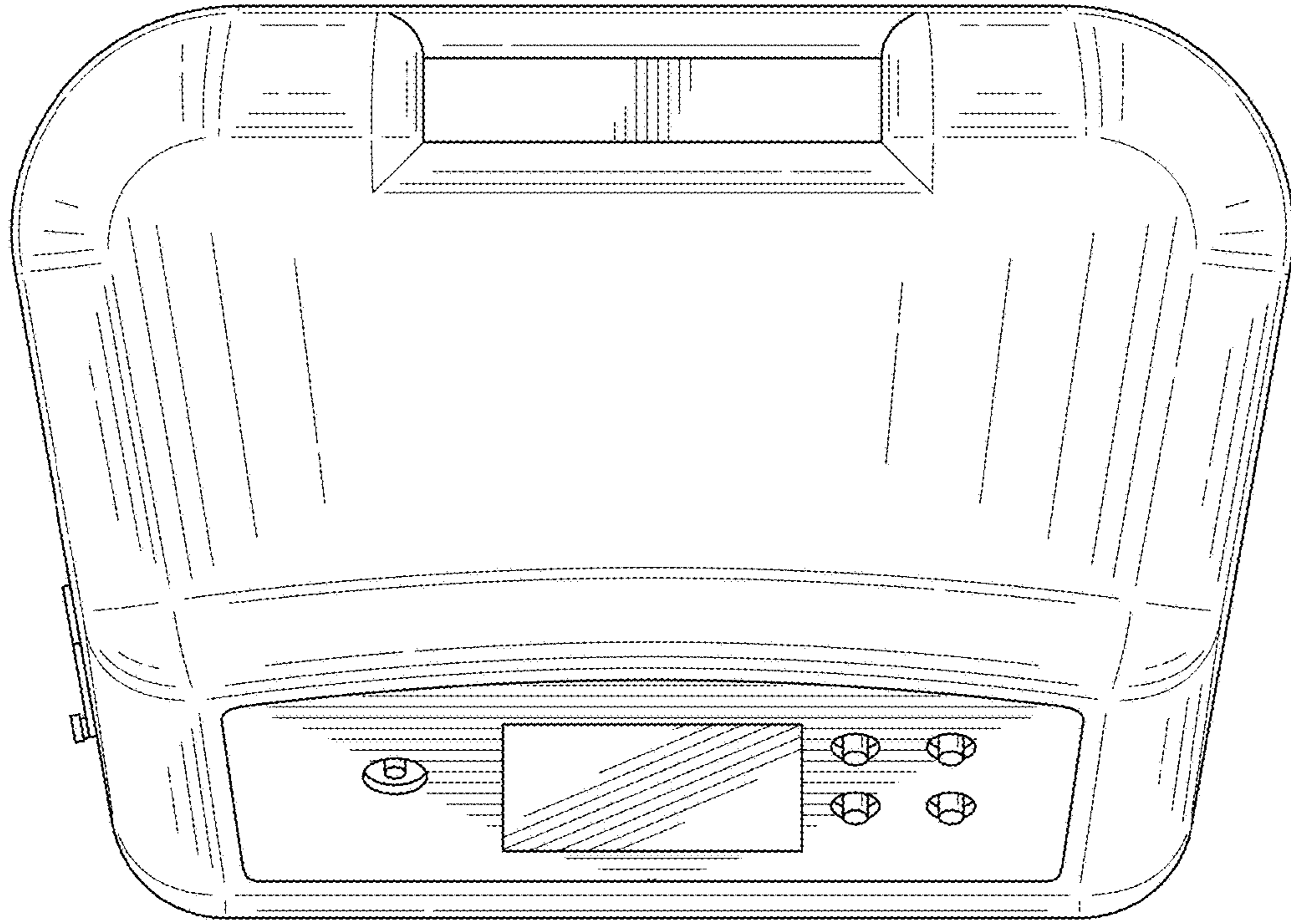


FIG. 2

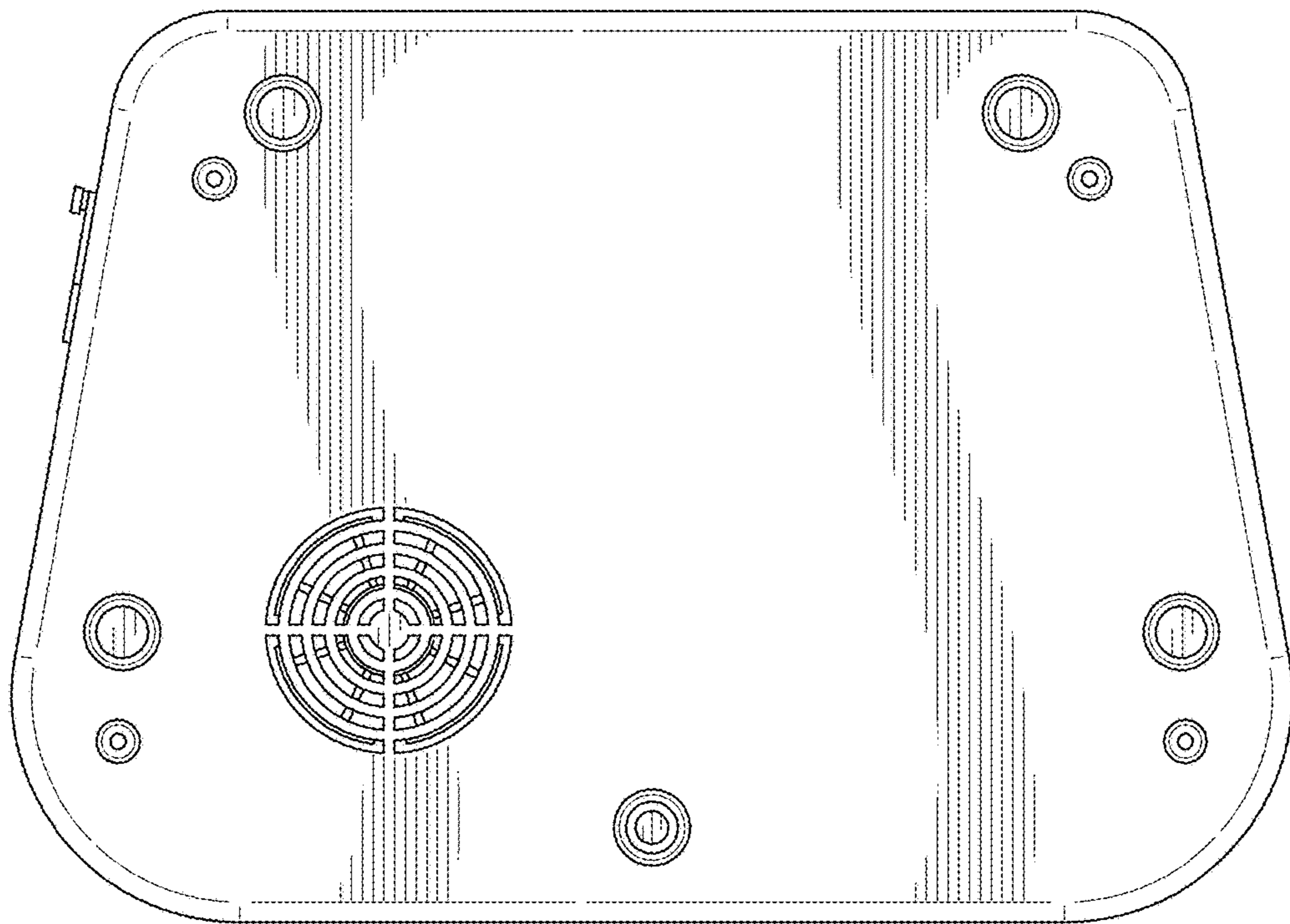


FIG. 3

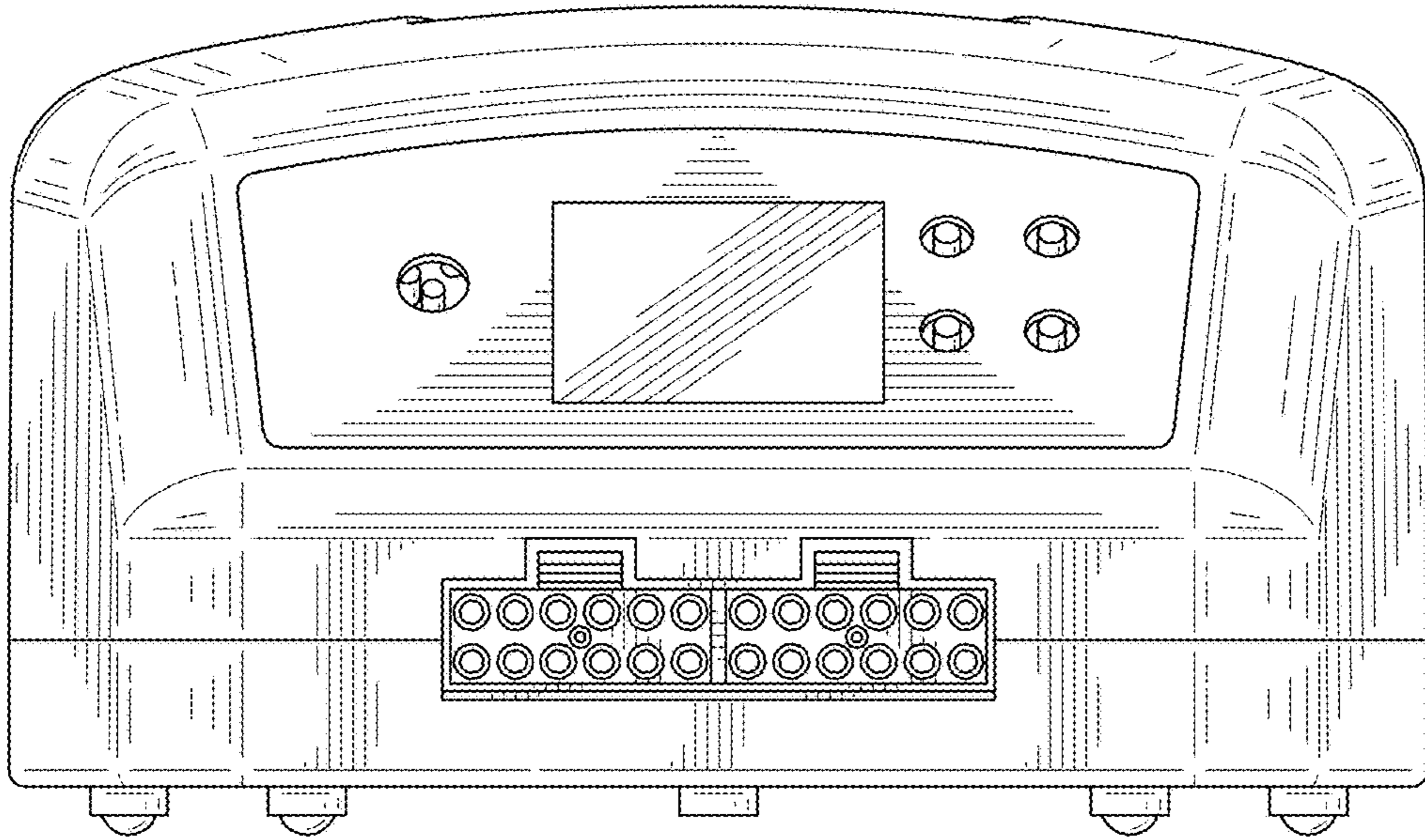


FIG. 4

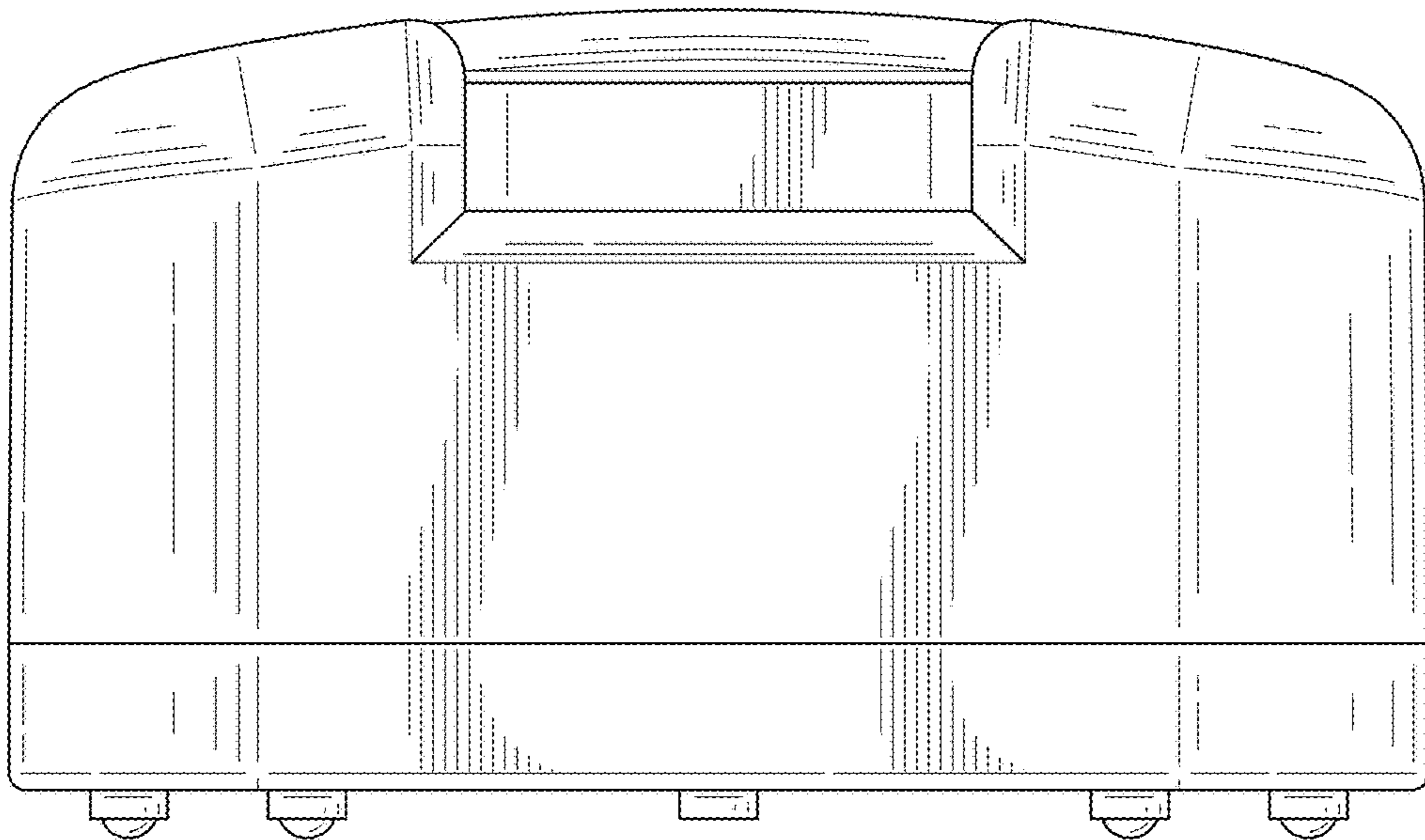


FIG. 5

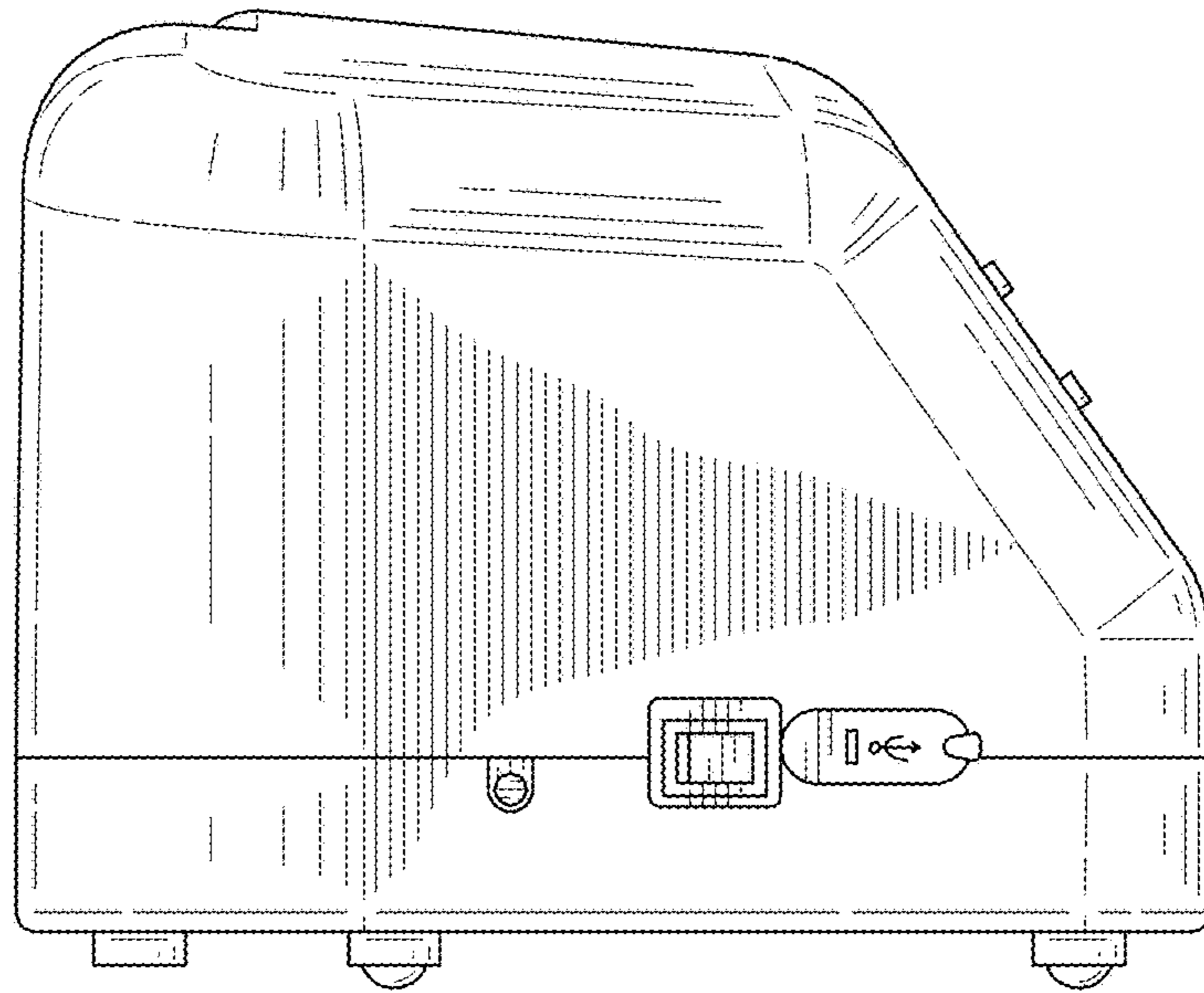


FIG. 6

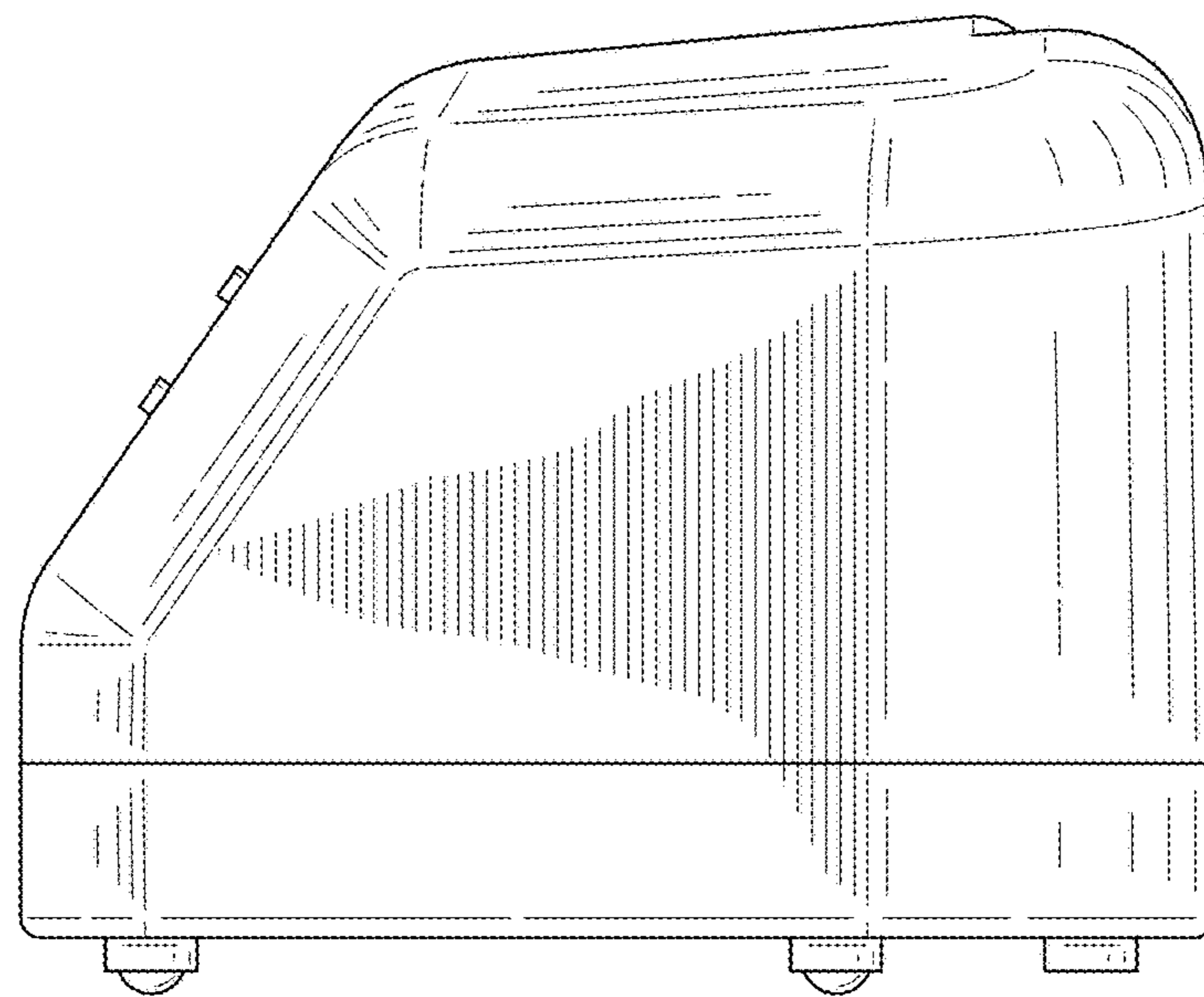


FIG. 7