



US00D851251S

(12) **United States Design Patent** (10) **Patent No.:** **US D851,251 S**
Yoshikawa et al. (45) **Date of Patent:** **** Jun. 11, 2019**

(54) **FINGER CAP OF AN ARTIFICIAL HAND**

3,604,017 A * 9/1971 Brown A61F 2/583
623/64

(71) Applicants: **DAIYA INDUSTRY CO., LTD.**,
Okayama (JP); **Masahiro Yoshikawa**,
Kyoto (JP)

D595,854 S * 7/2009 Kuschnigg D24/155
D597,672 S * 8/2009 Kuschnigg D24/155
D612,054 S * 3/2010 Kuschnigg D24/155
D748,791 S * 2/2016 Kampas D24/155
9,713,541 B2 * 7/2017 Thompson, Jr. A61F 2/586
2016/0089251 A1 * 3/2016 Mandl A61F 2/586
623/57
2016/0338471 A1 * 11/2016 Kawano A45D 44/005

(72) Inventors: **Masahiro Yoshikawa**, Kizugawa (JP);
Masao Matsuo, Okayama (JP);
Kazunori Ogawa, Okayama (JP)

(73) Assignees: **DAIYA HOLDINGS CO., LTD.**,
Okayama (JP); **MASAHIRO**
YOSHIKAWA, Kyoto (JP)

* cited by examiner

Primary Examiner — Eliza Z Bennett-Hattan
(74) *Attorney, Agent, or Firm* — Pearne & Gordon LLP

(**) Term: **15 Years**

(21) Appl. No.: **35/502,929**

(22) Filed: **Nov. 7, 2016**

(80) **Hague Agreement Data**

Int. Filing Date: **Nov. 7, 2016**
Int. Reg. No.: **DM/094040**
Int. Reg. Date: **Nov. 7, 2016**
Int. Reg. Pub. Date: **May 12, 2017**

(51) **LOC (11) Cl.** **24-03**

(52) **U.S. Cl.**
USPC **D24/155**

(58) **Field of Classification Search**
USPC D24/133, 140, 119, 155, 171; D15/199
CPC . A61F 2/586; A61F 2/4241; B29L 2031/7532
See application file for complete search history.

(56) **References Cited**

U.S. PATENT DOCUMENTS

1,334,689 A * 3/1920 Armstrong A61F 2/583
623/64
2,867,819 A * 1/1959 George A61F 2/586
623/63

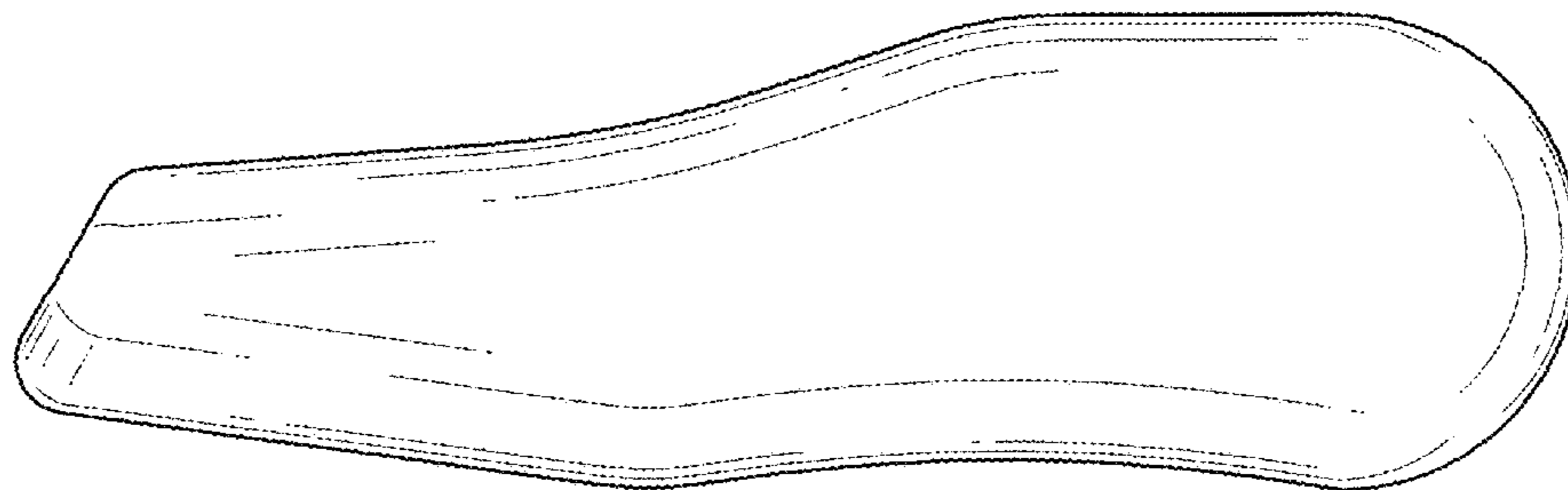
(57) **CLAIM**

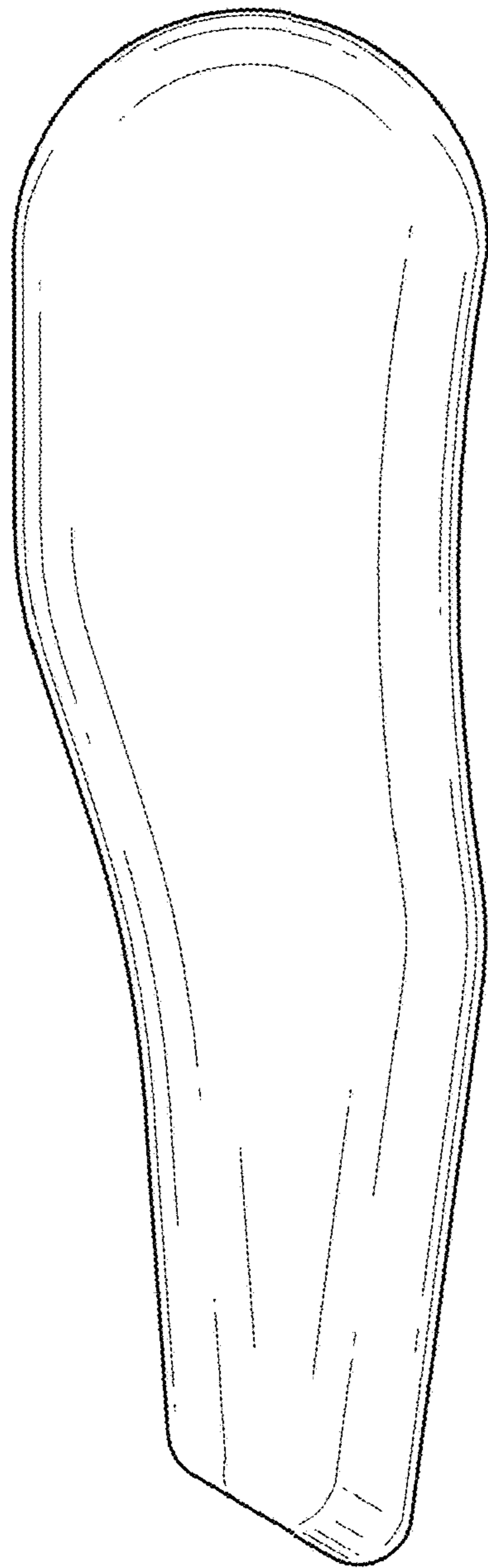
The ornamental design for a finger cap of an artificial hand,
as shown and described.

DESCRIPTION

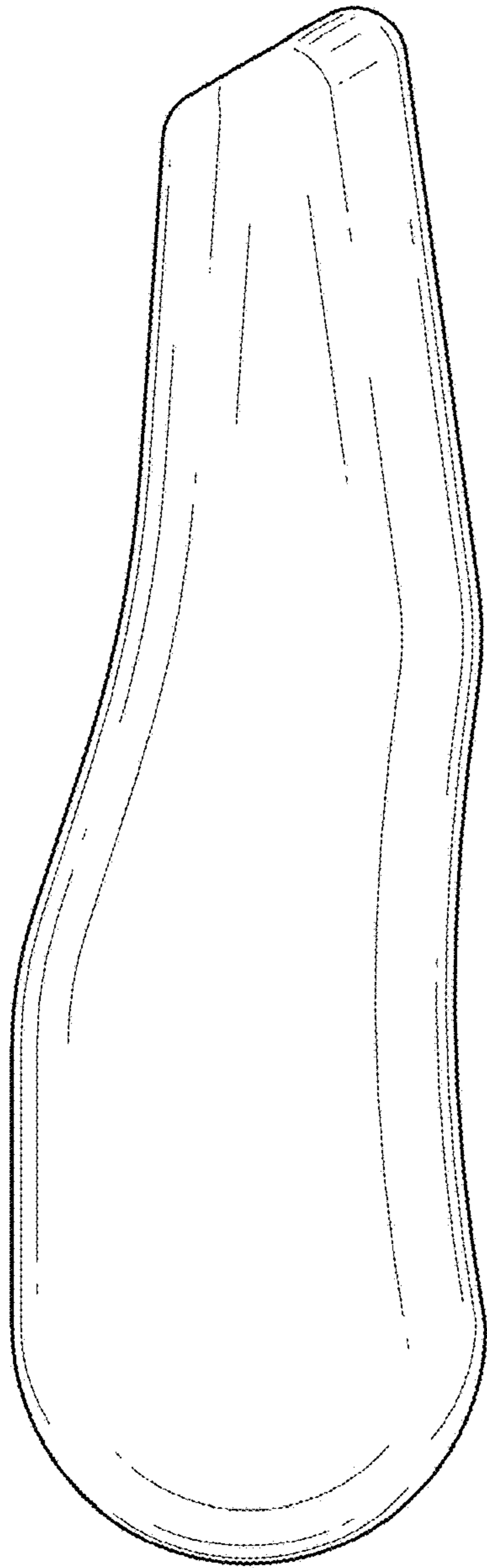
2. Finger cap of artificial hand.
2.1: Right
2.2: Left
2.3: Front
2.4: Back
2.5: Top
2.6: Bottom
2.7: Vertical end view
2.8: Horizontal end view at base end portion
2.9: Horizontal end view at middle portion
2.10: Horizontal end view at tip portion
2.11: Perspective
The product shown in figs. 2.1 to 2.11 is a finger cap of an
artificial hand; the finger cap is to be mounted on a movable
finger of an artificial hand.

1 Claim, 11 Drawing Sheets

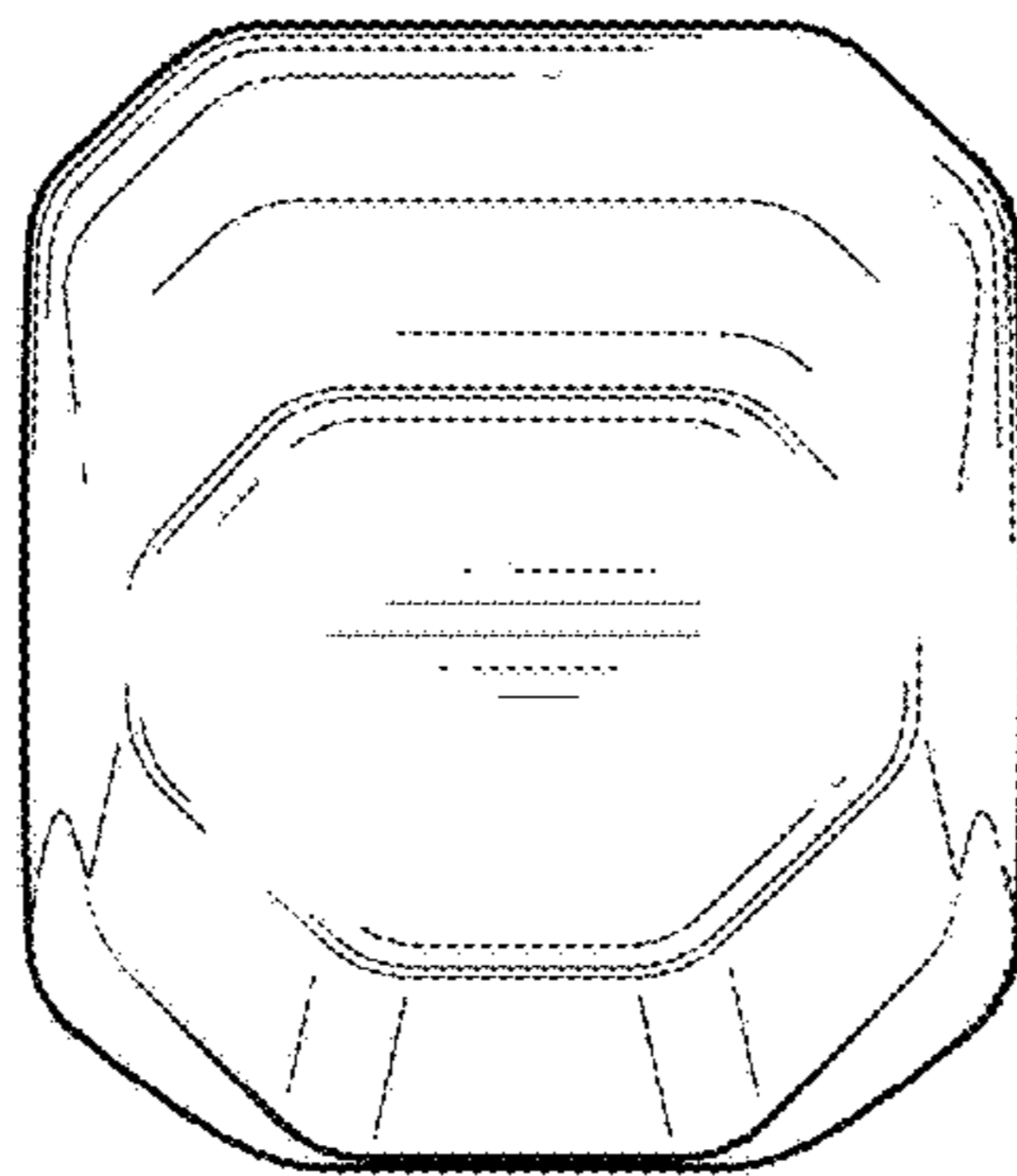




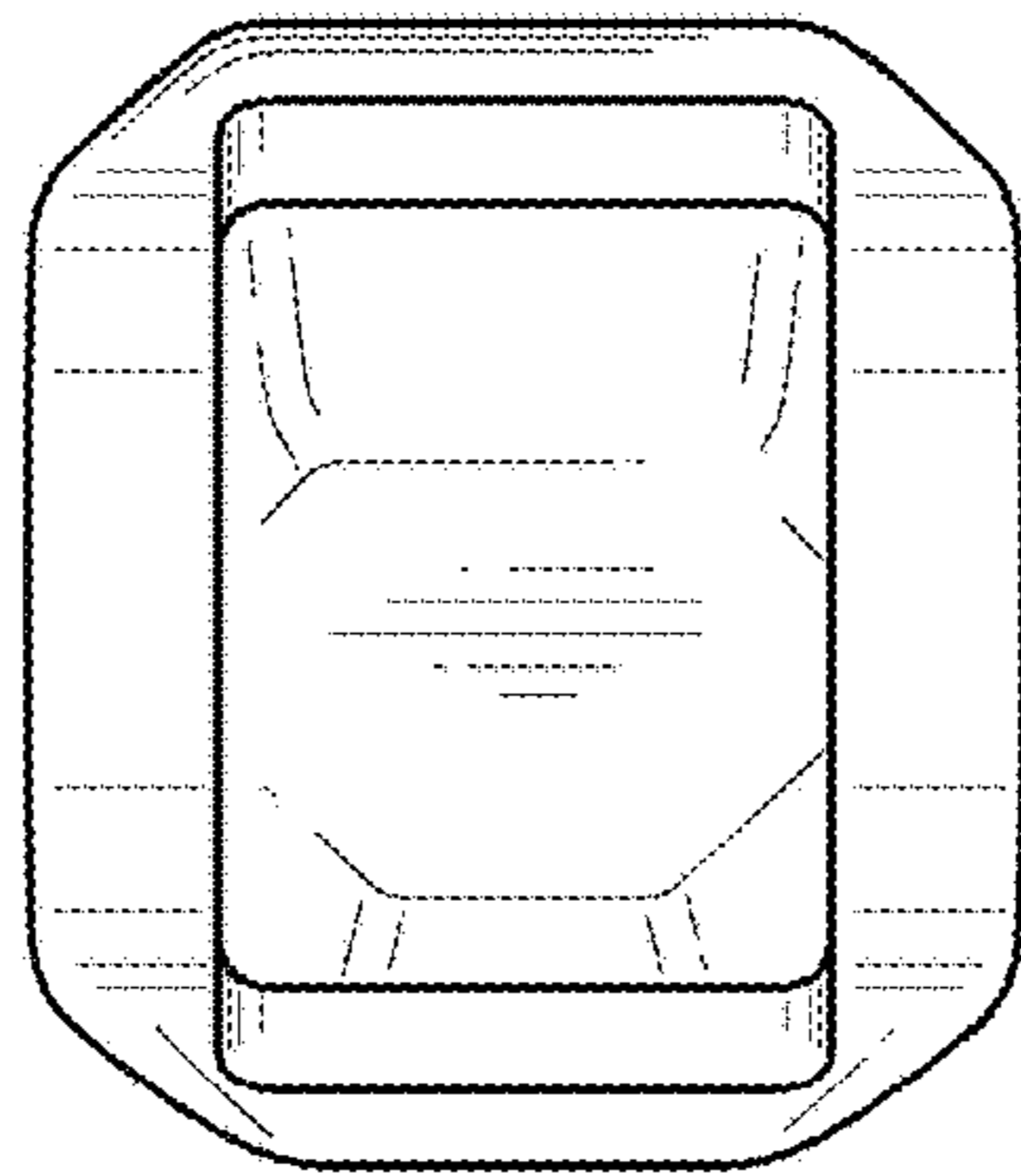
2.1



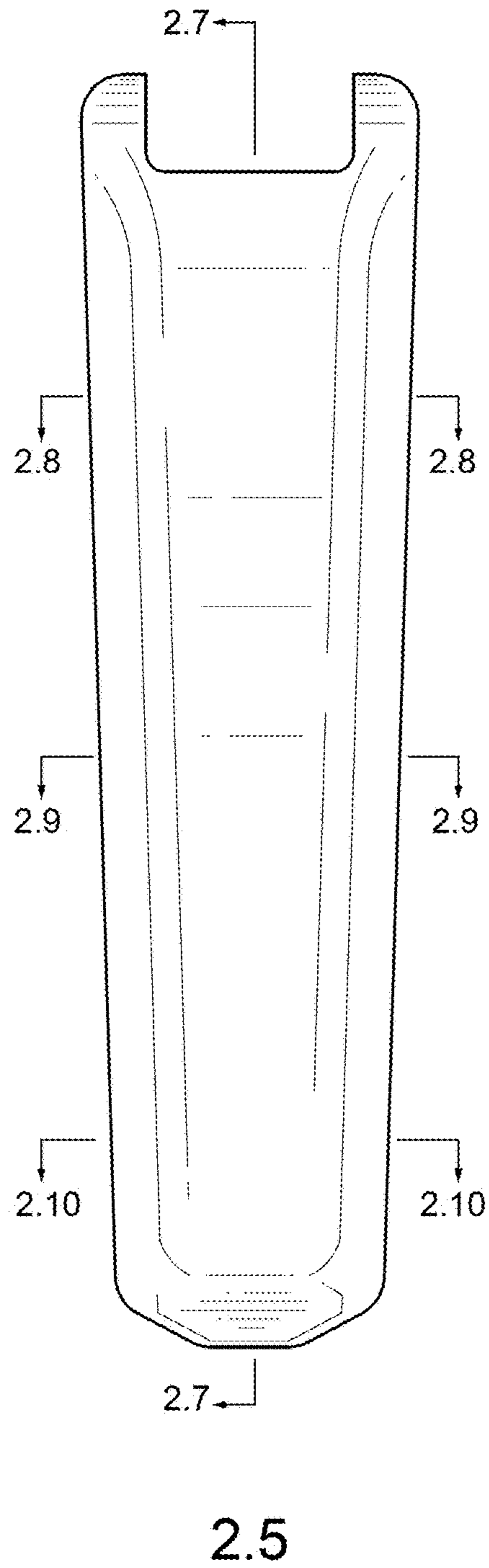
2.2

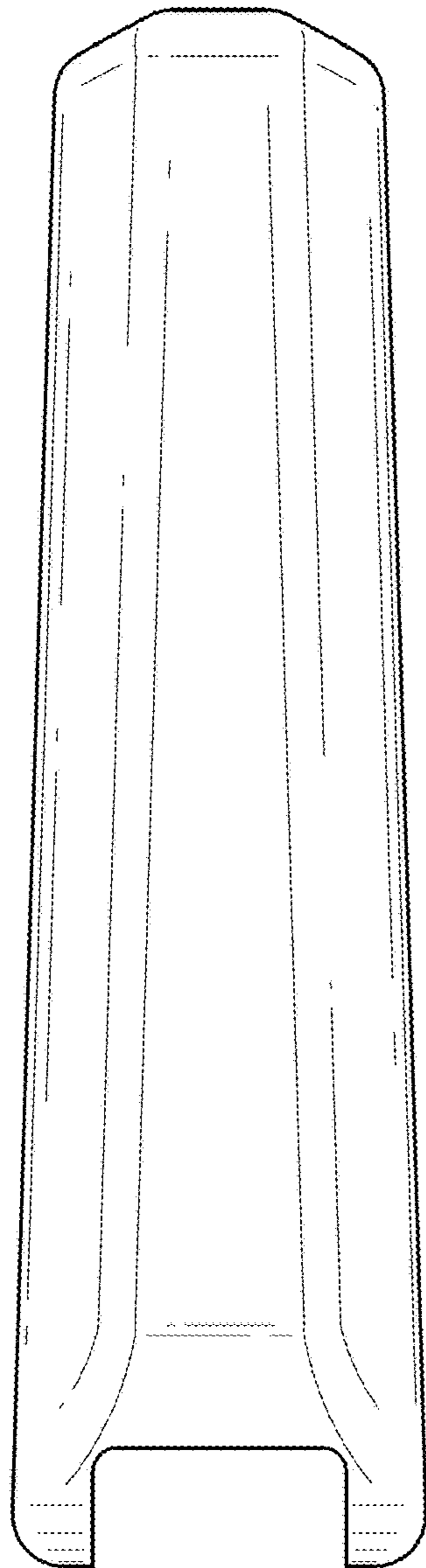


2.3

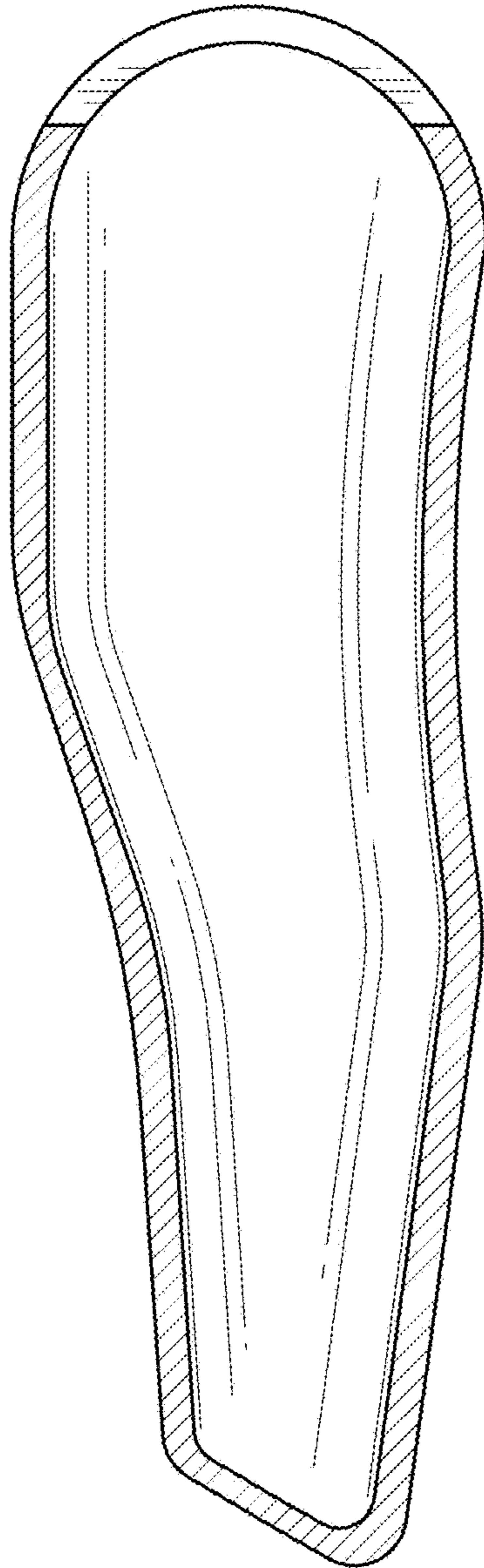


2.4

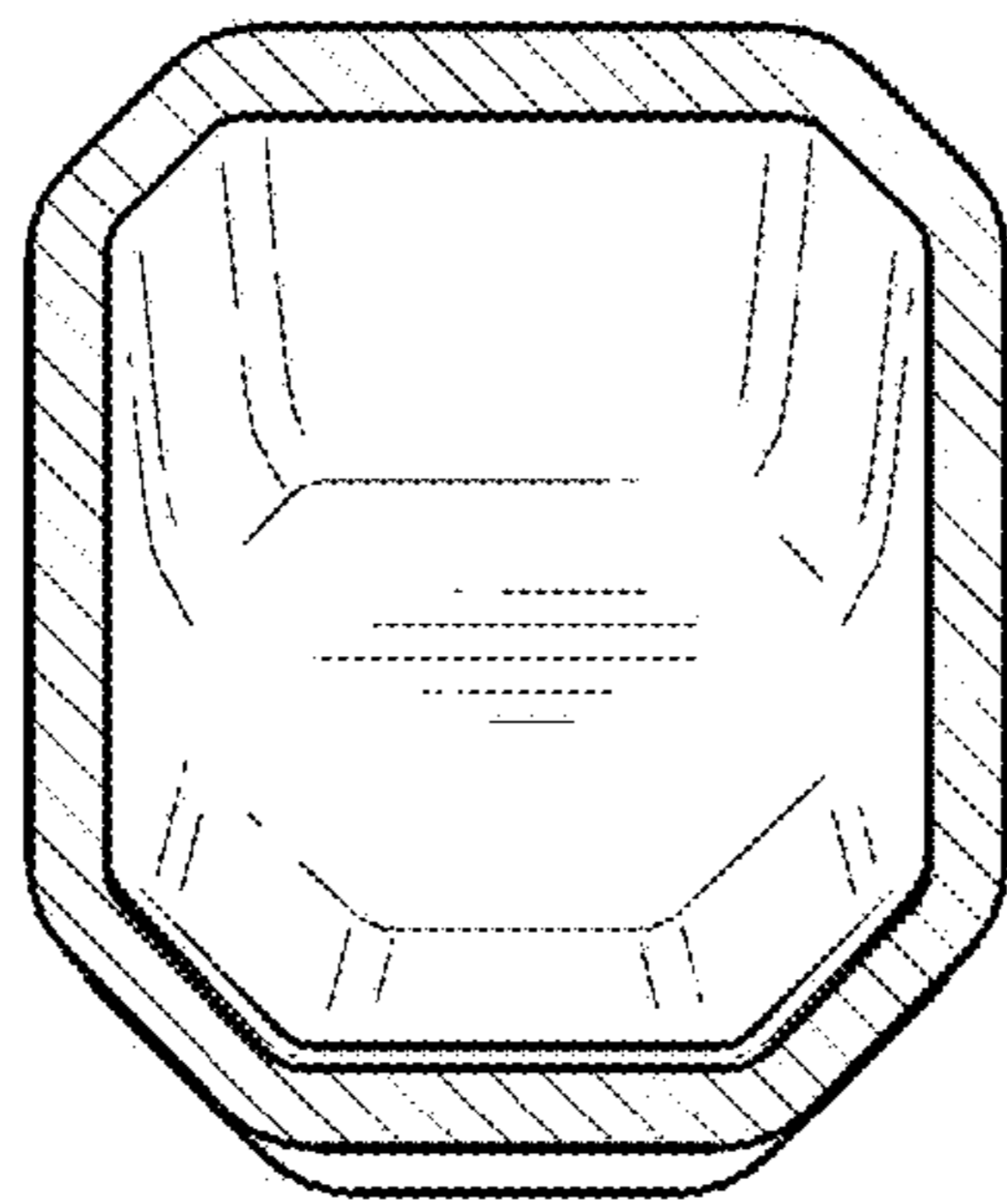




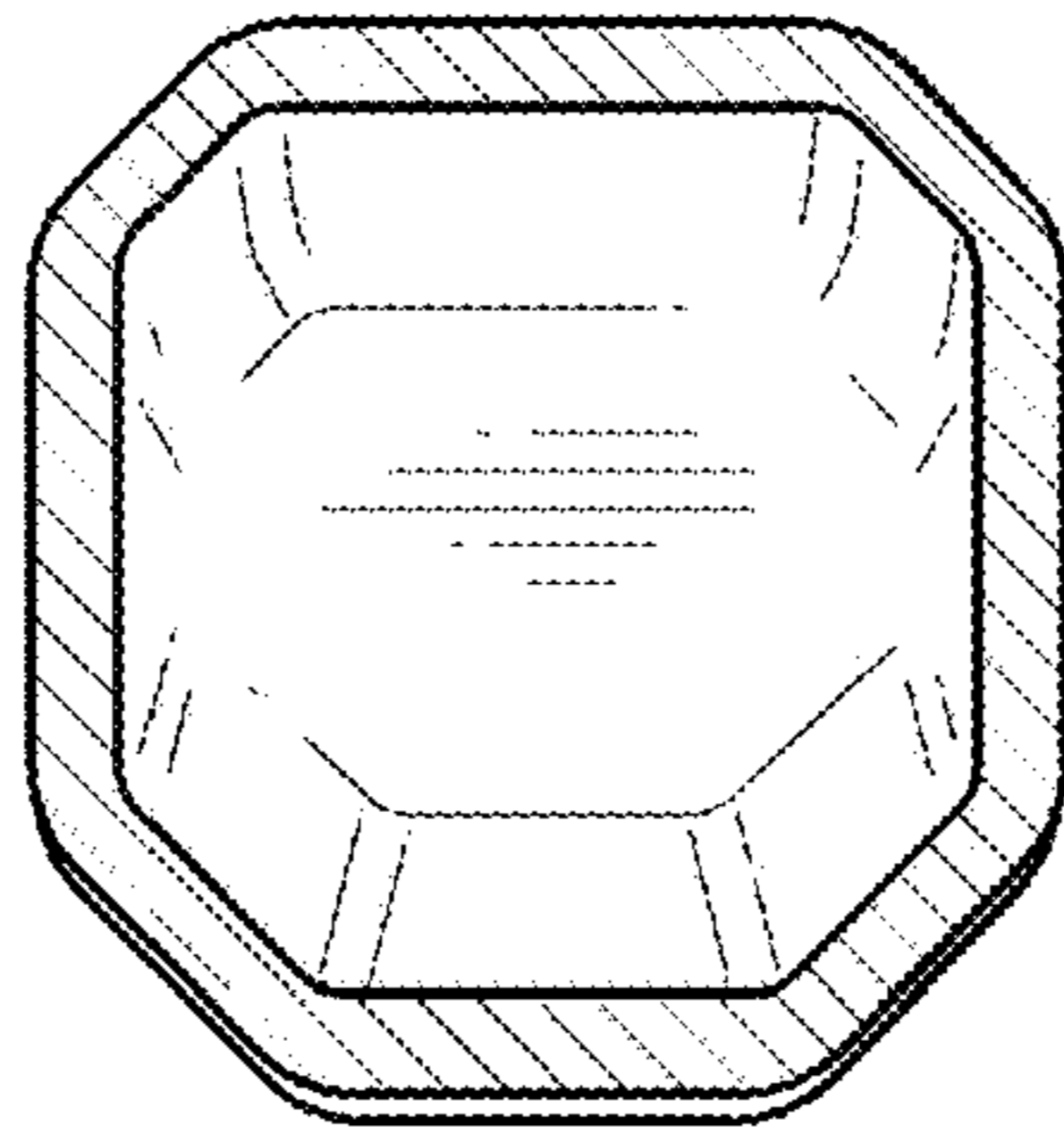
2.6



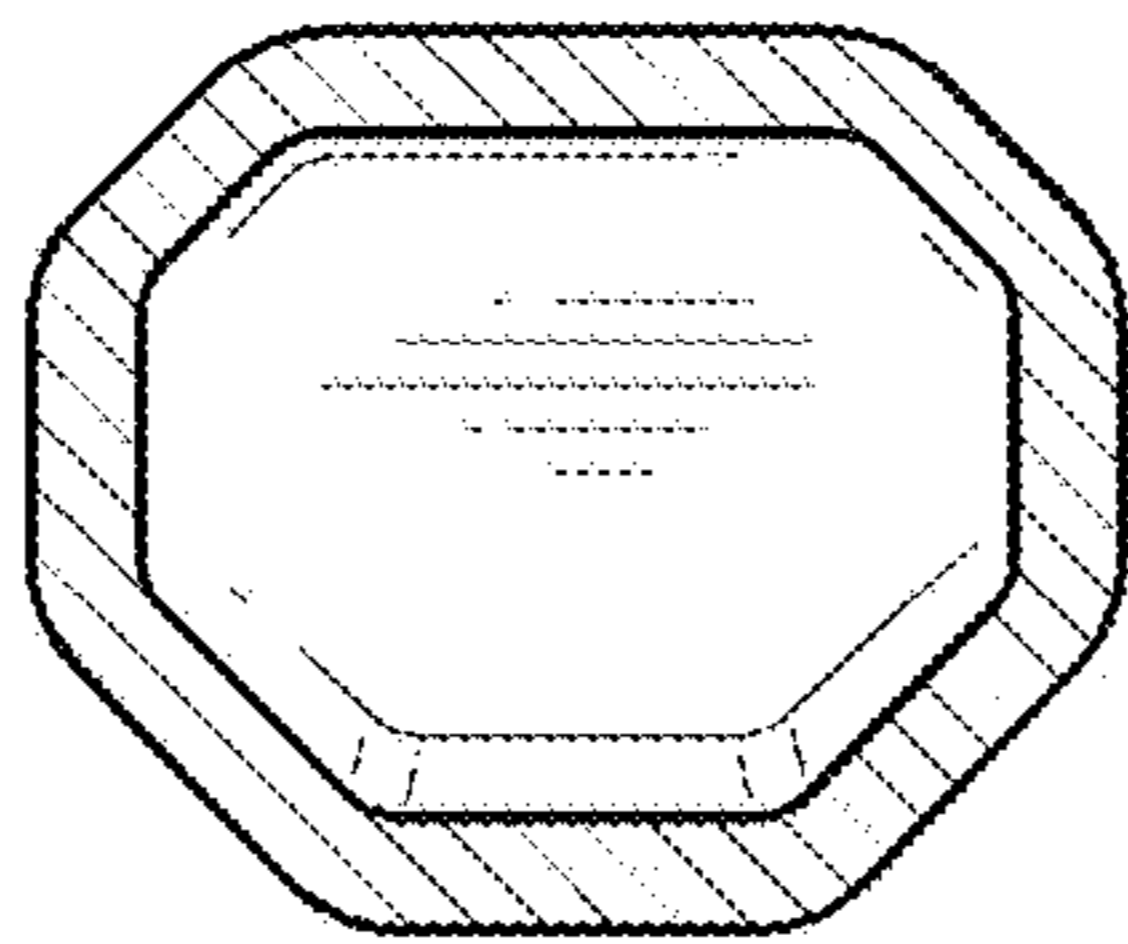
2.7



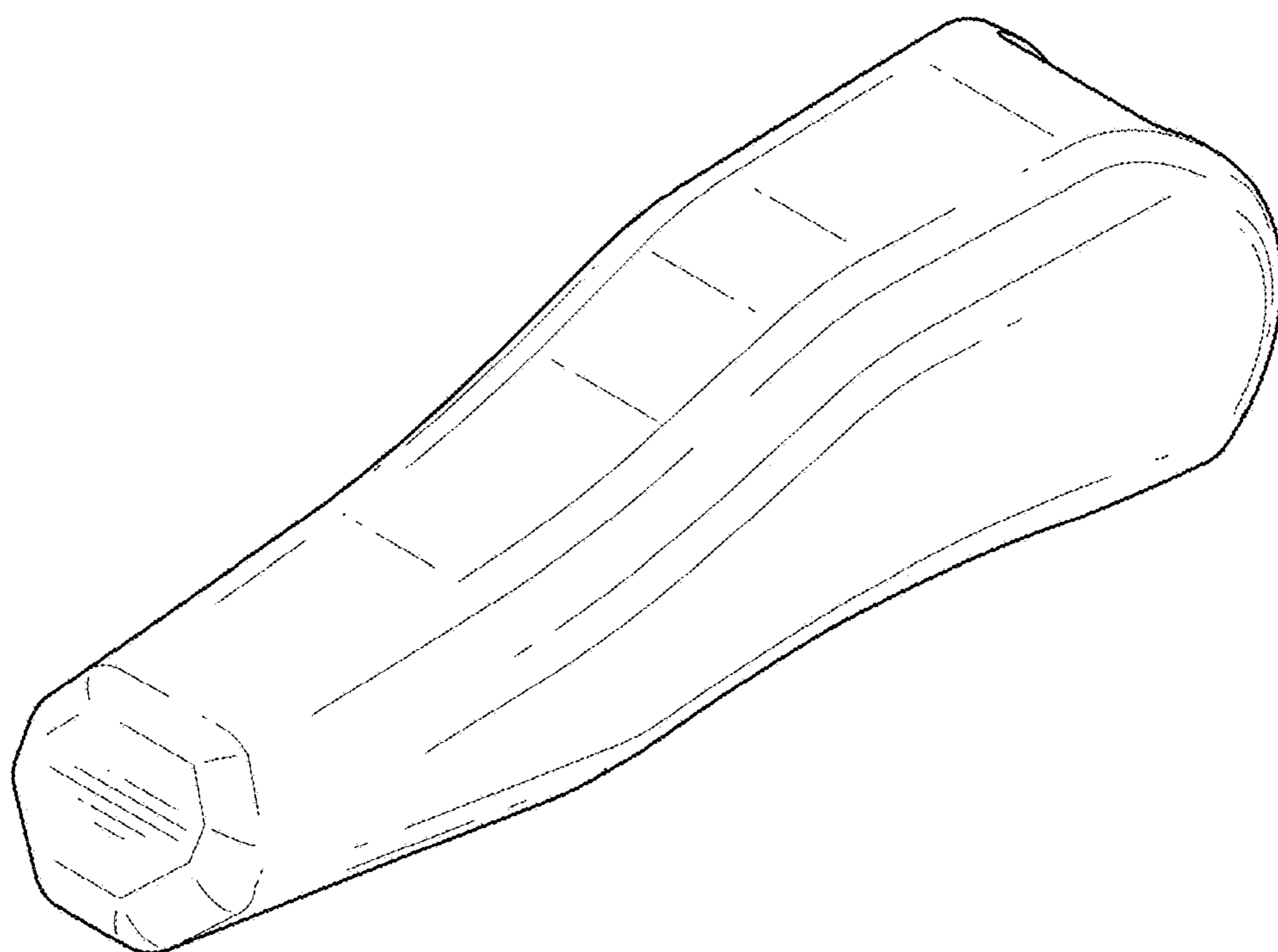
2.8



2.9



2.10



2.11

UNITED STATES PATENT AND TRADEMARK OFFICE
CERTIFICATE OF CORRECTION

PATENT NO. : D851,251 S
APPLICATION NO. : 35/502929
DATED : June 11, 2019
INVENTOR(S) : Yoshikawa et al.

Page 1 of 1

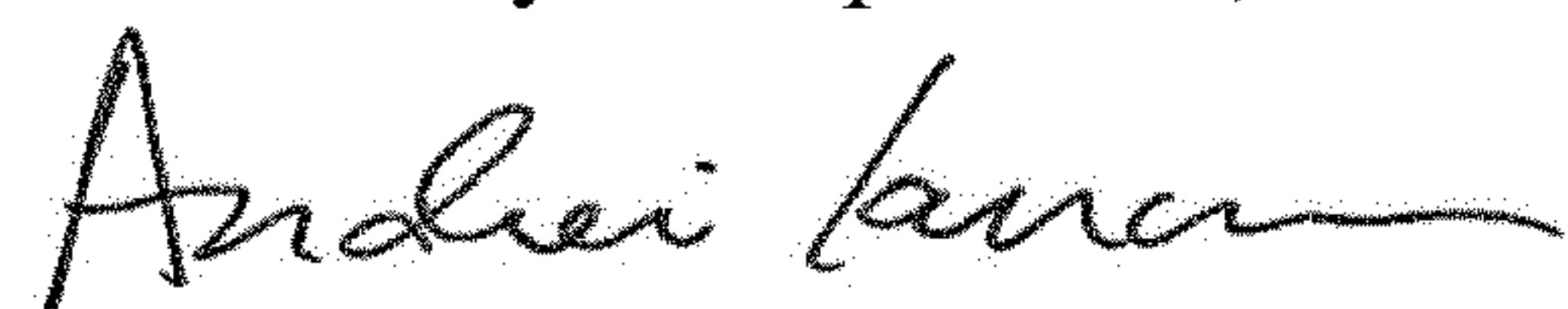
It is certified that error appears in the above-identified patent and that said Letters Patent is hereby corrected as shown below:

On the Title Page

Under item (54) Title should read as-follows:

(54) FINGER CAP OF ARTIFICIAL HAND

Signed and Sealed this
Third Day of September, 2019



Andrei Iancu
Director of the United States Patent and Trademark Office

UNITED STATES PATENT AND TRADEMARK OFFICE
CERTIFICATE OF CORRECTION

PATENT NO. : D851,251 S
APPLICATION NO. : 35/502929
DATED : June 11, 2019
INVENTOR(S) : Yoshikawa et al.

Page 1 of 1

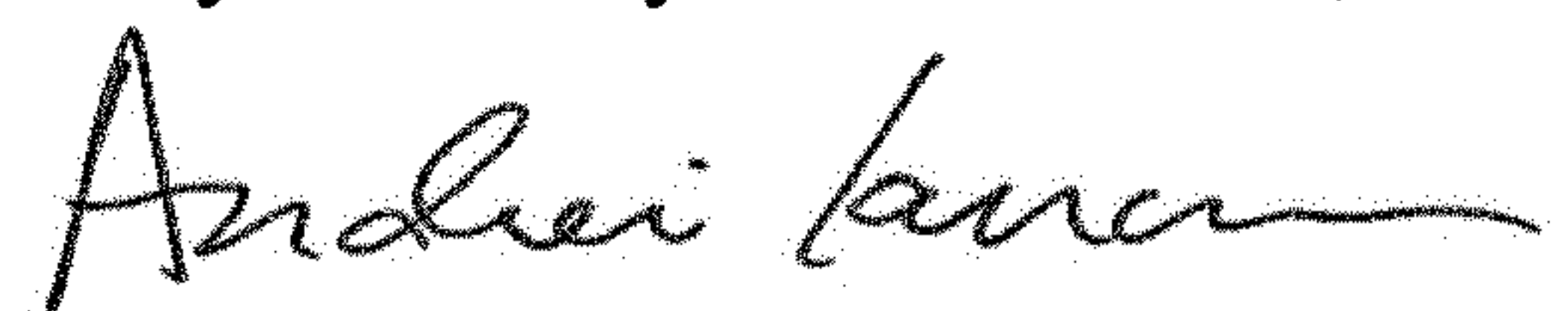
It is certified that error appears in the above-identified patent and that said Letters Patent is hereby corrected as shown below:

On the Title Page

Under item (71) Applicant should read as follows:

(71) Applicant: DAIYA HOLDINGS CO., LTD., Okayama (JP); Masahiro Yoshikawa, Kyoto (JP)

Signed and Sealed this
Thirty-first Day of December, 2019



Andrei Iancu
Director of the United States Patent and Trademark Office