



US00D851248S

(12) **United States Design Patent**
Winkler

(10) **Patent No.:** **US D851,248 S**

(45) **Date of Patent:** **** Jun. 11, 2019**

(54) **MEDICAL INSTRUMENT**

(71) Applicant: **Scholly Fiberoptic GmbH**, Denzlingen (DE)

(72) Inventor: **Michael Winkler**, Vorstetten (DE)

(73) Assignee: **Schöilly Fiberoptic GmbH**, Denzlingen (DE)

(**) Term: **15 Years**

(21) Appl. No.: **29/605,168**

(22) Filed: **May 24, 2017**

(30) **Foreign Application Priority Data**

Dec. 13, 2016 (EM) 003514587

(51) **LOC (11) Cl.** **24-02**

(52) **U.S. Cl.**
USPC **D24/138**

(58) **Field of Classification Search**
USPC D24/107, 186, 158, 231, 200, 209, 210,
D24/214, 215, 187, 133, 137, 138;
D26/37-39; D28/9; D29/102, 103
CPC A61N 5/0616; A61N 5/0617; A61N 5/062;
A61N 5/0627; A61N 5/0625; A61N
2005/0643; A61N 2005/0644; A61N
2005/0645; A61N 2005/0647; A61N
2005/0651; A61N 2005/0652; A61B
2018/00452; A61B 2018/1807; A61B
1/00066; A61B 1/00121; A61B 1/00147
See application file for complete search history.

(56) **References Cited**

U.S. PATENT DOCUMENTS

D320,279 S * 9/1991 McQueen D24/200
D441,456 S * 5/2001 Thiberg D24/210

D467,347 S * 12/2002 Yang D24/215
D523,455 S * 6/2006 Greise D16/202
D612,510 S * 3/2010 Byle D24/210
D636,080 S * 4/2011 Goldberg D24/137
D643,534 S * 8/2011 Halleck D16/202
D659,840 S * 5/2012 Cheng D24/186
D660,448 S * 5/2012 Lum D24/209
D698,921 S * 2/2014 Koennecke D24/138
D750,269 S * 2/2016 Cox D24/209
D753,315 S * 4/2016 Guarraia D24/200
D768,854 S * 10/2016 Halleck D24/138
D787,685 S * 5/2017 Vezina D24/187
2015/0057537 A1 * 2/2015 Dillon A61B 1/0014
600/431

* cited by examiner

Primary Examiner — Anhdao Doan

(74) *Attorney, Agent, or Firm* — Volpe and Koenig, P.C.

(57) **CLAIM**

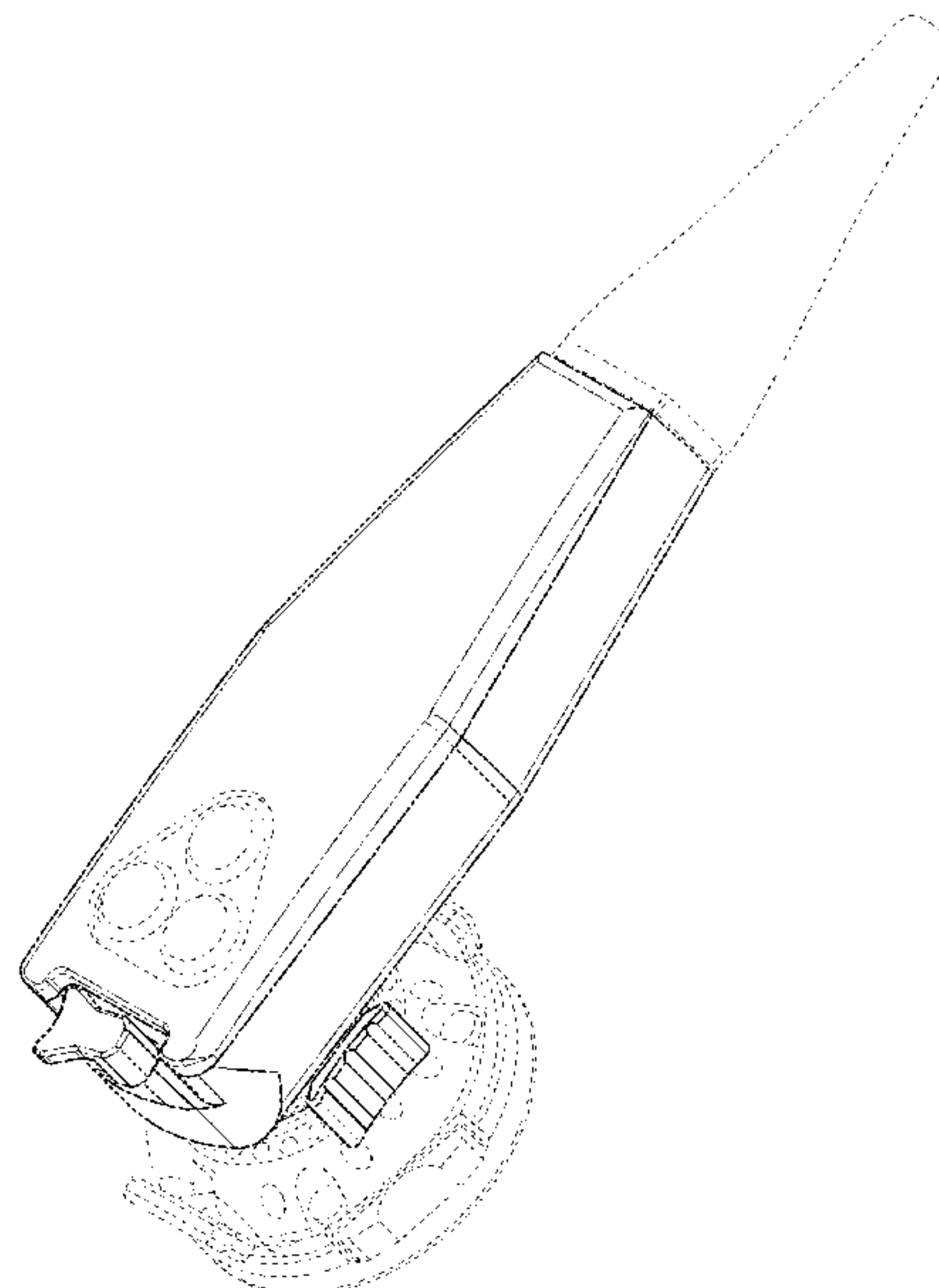
The ornamental design for a medical instrument, as shown and described.

DESCRIPTION

FIG. 1 is a top, front, right perspective view thereof;
FIG. 2 is a left side elevational view thereof;
FIG. 3 is a right side elevational view thereof;
FIG. 4 is a top plan view thereof;
FIG. 5 is a bottom plan view thereof;
FIG. 6 is a rear elevational view thereof; and,
FIG. 7 is a front elevational view thereof.

The broken lines immediately adjacent the shaded areas represent the bounds of the claim, while all other broken lines are directed to environment and are for illustrative purposes only; the broken lines form no part of the claimed design.

1 Claim, 7 Drawing Sheets



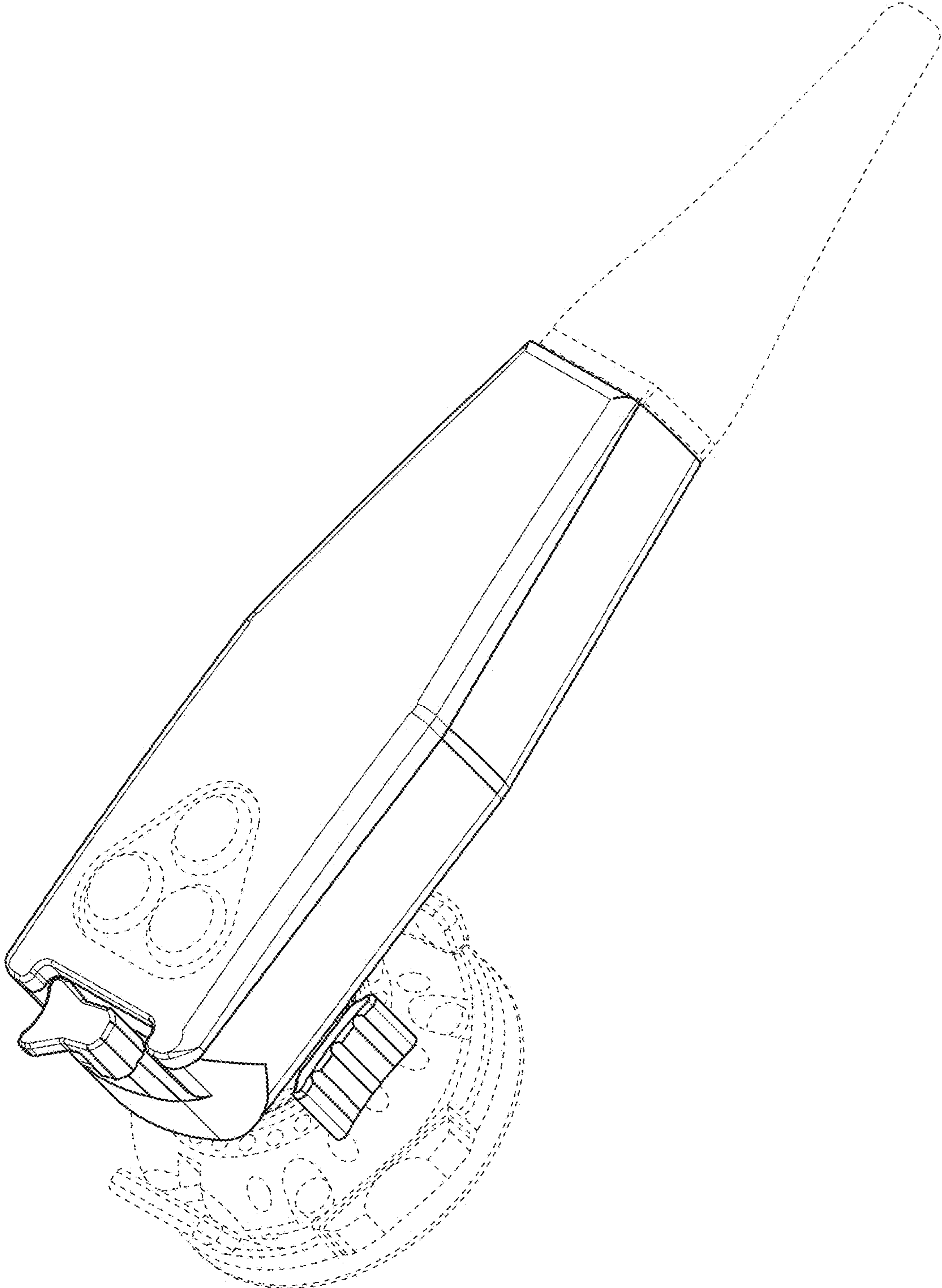


FIG. 1

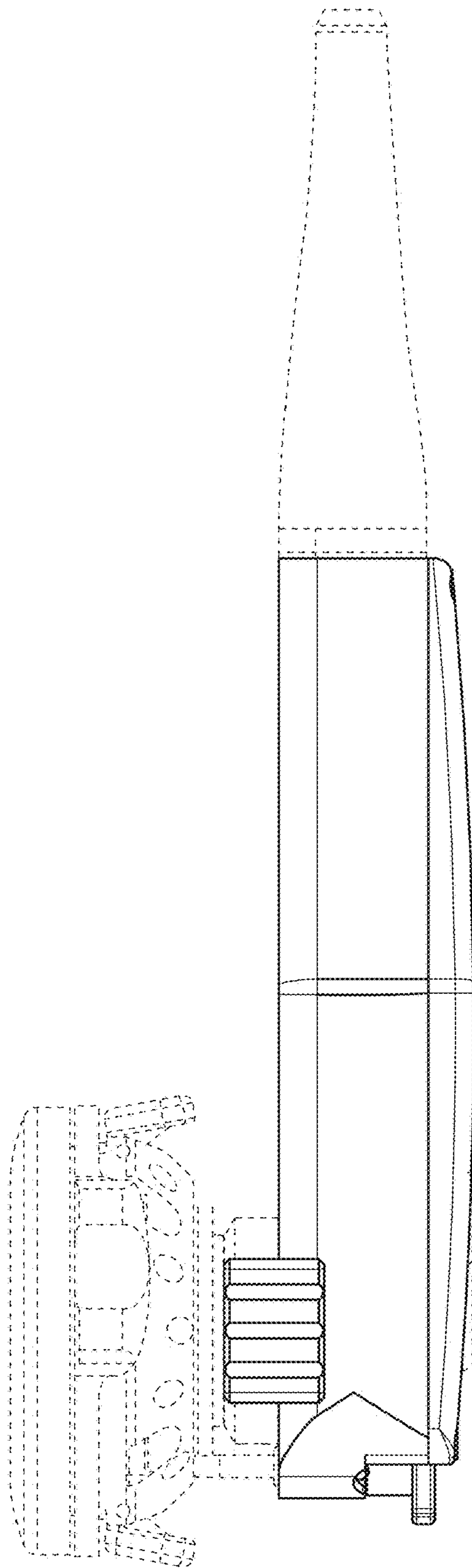


FIG. 2

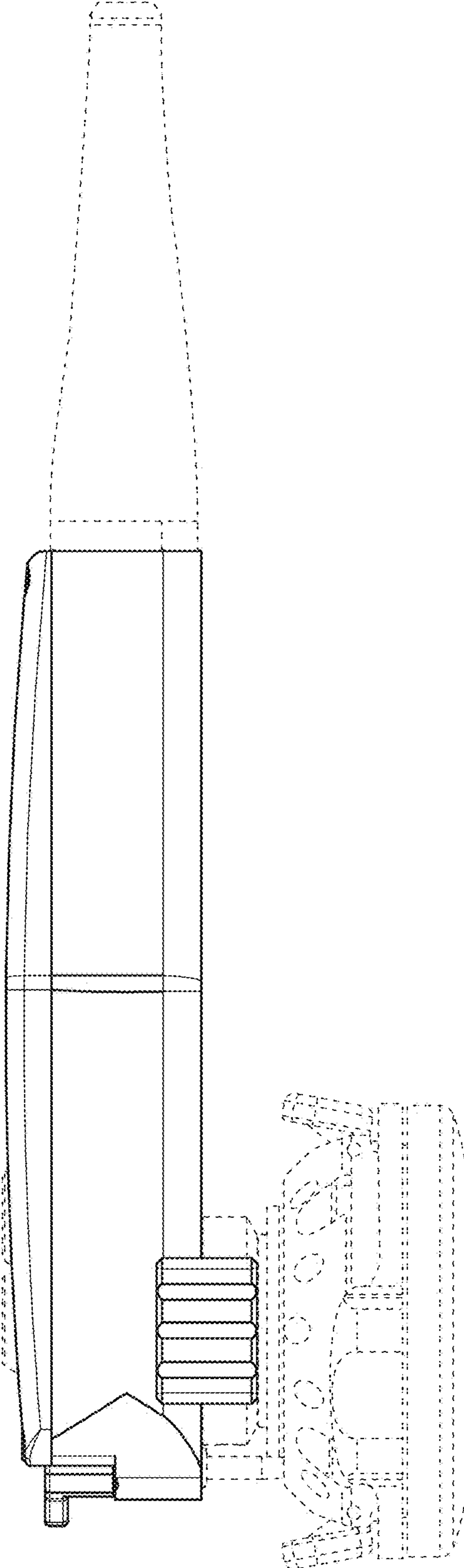


FIG. 3

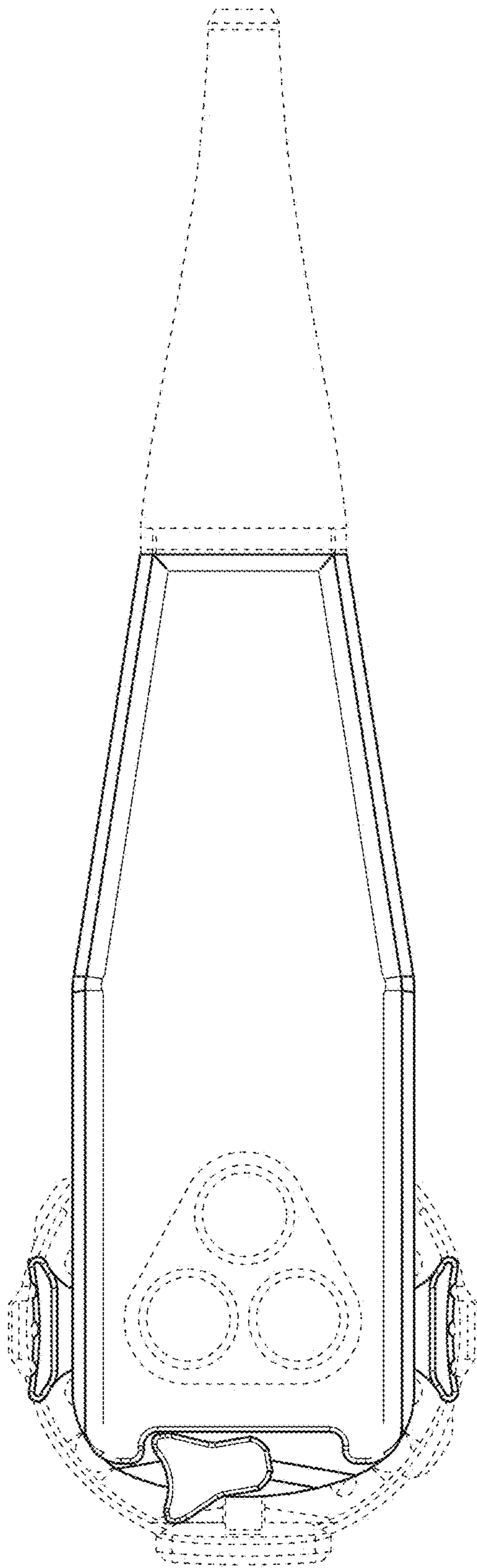


FIG. 4

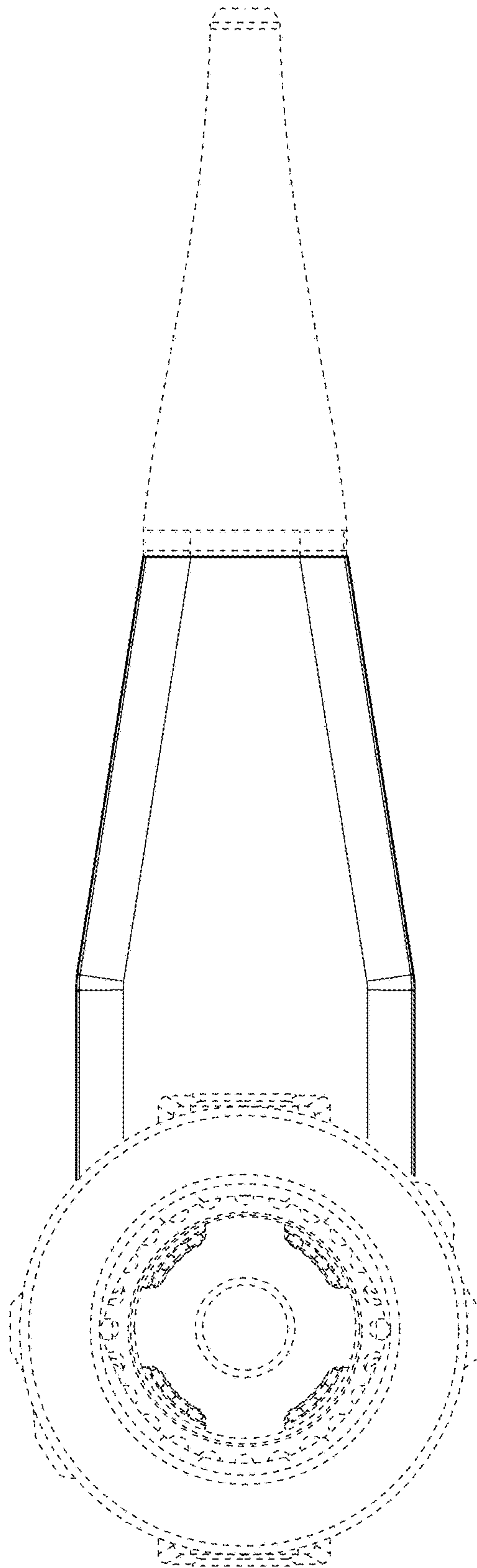


FIG. 5

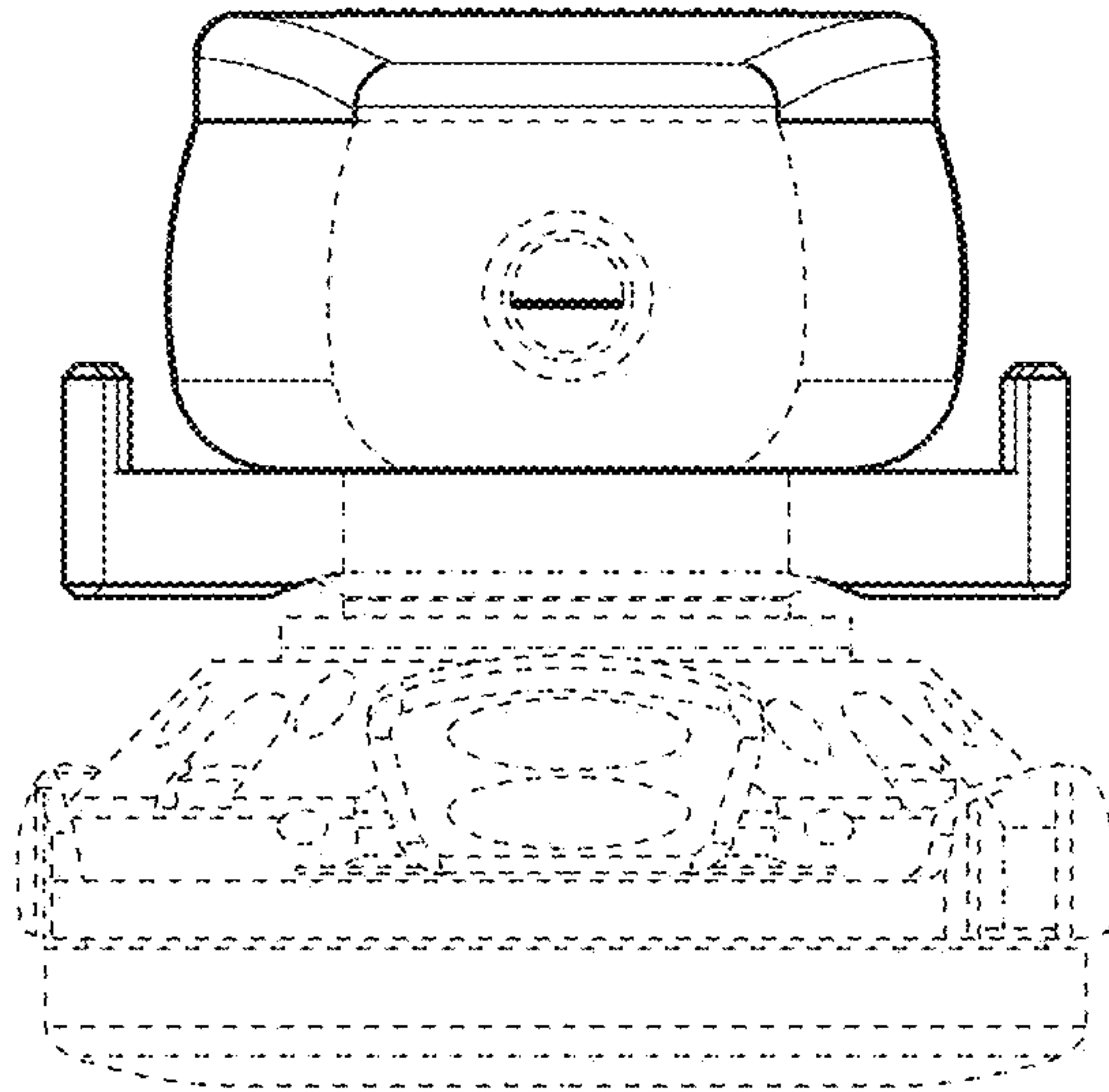


FIG. 6

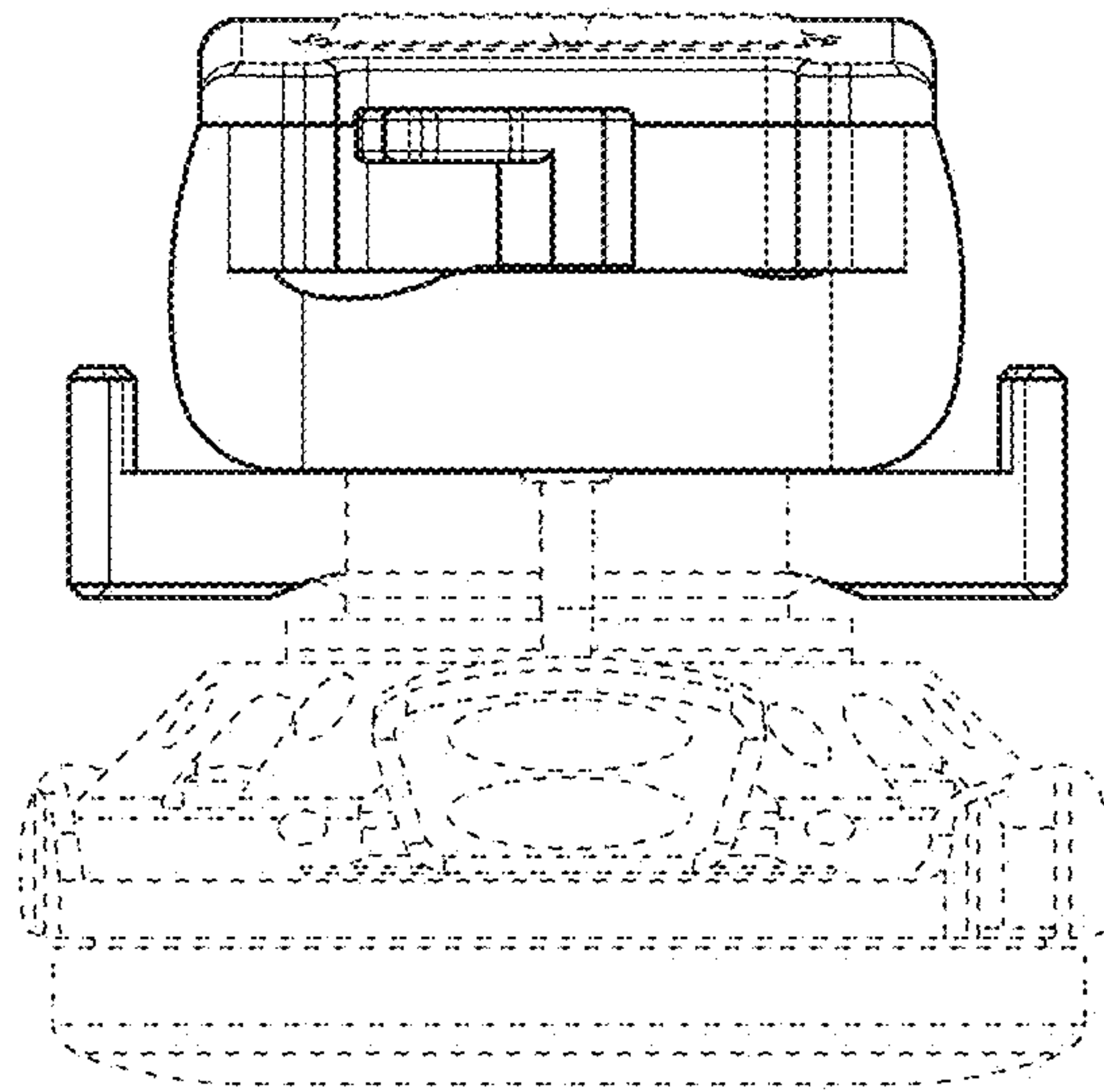


FIG. 7