



US00D851246S

(12) **United States Design Patent**
McElroy et al.

(10) **Patent No.:** **US D851,246 S**
(45) **Date of Patent:** **** Jun. 11, 2019**

(54) **MULTI-PART COLLAR**
(71) Applicant: **West Pharmaceutical Services, Inc.**,
Exton, PA (US)
(72) Inventors: **Terry McElroy**, Bray (IE); **Colin Dowling**,
Dublin (IE); **Patrick Dowling**, Dublin (IE); **Martin McGarry**,
Dublin (IE)
(73) Assignee: **West Pharmaceutical Services, Inc.**,
Exton, PA (US)

7,780,639 B2 * 8/2010 Van Lue A61B 17/3462
604/264
8,241,251 B2 * 8/2012 Gresham A61B 17/3498
604/164.01
8,292,851 B2 * 10/2012 Ferrari A61B 17/0206
604/164.04
8,328,761 B2 * 12/2012 Widenhouse A61B 17/3462
604/164.08
8,539,951 B1 * 9/2013 Meyer A61M 16/0066
128/205.24
9,011,363 B2 * 4/2015 Clopp A61F 11/002
604/8
D825,748 S * 8/2018 Gro er D24/130
D831,198 S * 10/2018 Ross D24/127

(**) Term: **15 Years**

(21) Appl. No.: **29/634,271**

(22) Filed: **Jan. 19, 2018**

(51) **LOC (11) Cl.** **24-02**

(52) **U.S. Cl.**
USPC **D24/130**

(58) **Field of Classification Search**
USPC D24/127-131, 112-114, 133, 186;
606/181, 185; 604/264, 523-528, 272,
604/187, 158, 164.01-164.11, 181, 184,
604/227; 600/101, 139, 143;
128/200.24, 207.14, 207.15
CPC A61M 25/00; A61M 39/00; A61M 27/00;
A61M 25/0043; A61M 25/0067; A61M
25/0097; A61F 2/958

See application file for complete search history.

(56) **References Cited**

U.S. PATENT DOCUMENTS

5,876,379 A * 3/1999 Beauvais A61M 5/3129
604/181
D437,412 S * 2/2001 Maeji D24/127
D445,501 S * 7/2001 Niedo spial, Jr. D24/129
D445,502 S * 7/2001 Maeji D24/130
6,702,787 B2 * 3/2004 Racenet A61B 17/34
604/158

OTHER PUBLICATIONS

U.S. Appl. No. 14/383,364, filed Sep. 5, 2014.
U.S. Appl. No. 14/702,914, filed May 4, 2015.

* cited by examiner

Primary Examiner — David G Muller
(74) *Attorney, Agent, or Firm* — Panitch Schwarze
Belisario & Nadel LLP

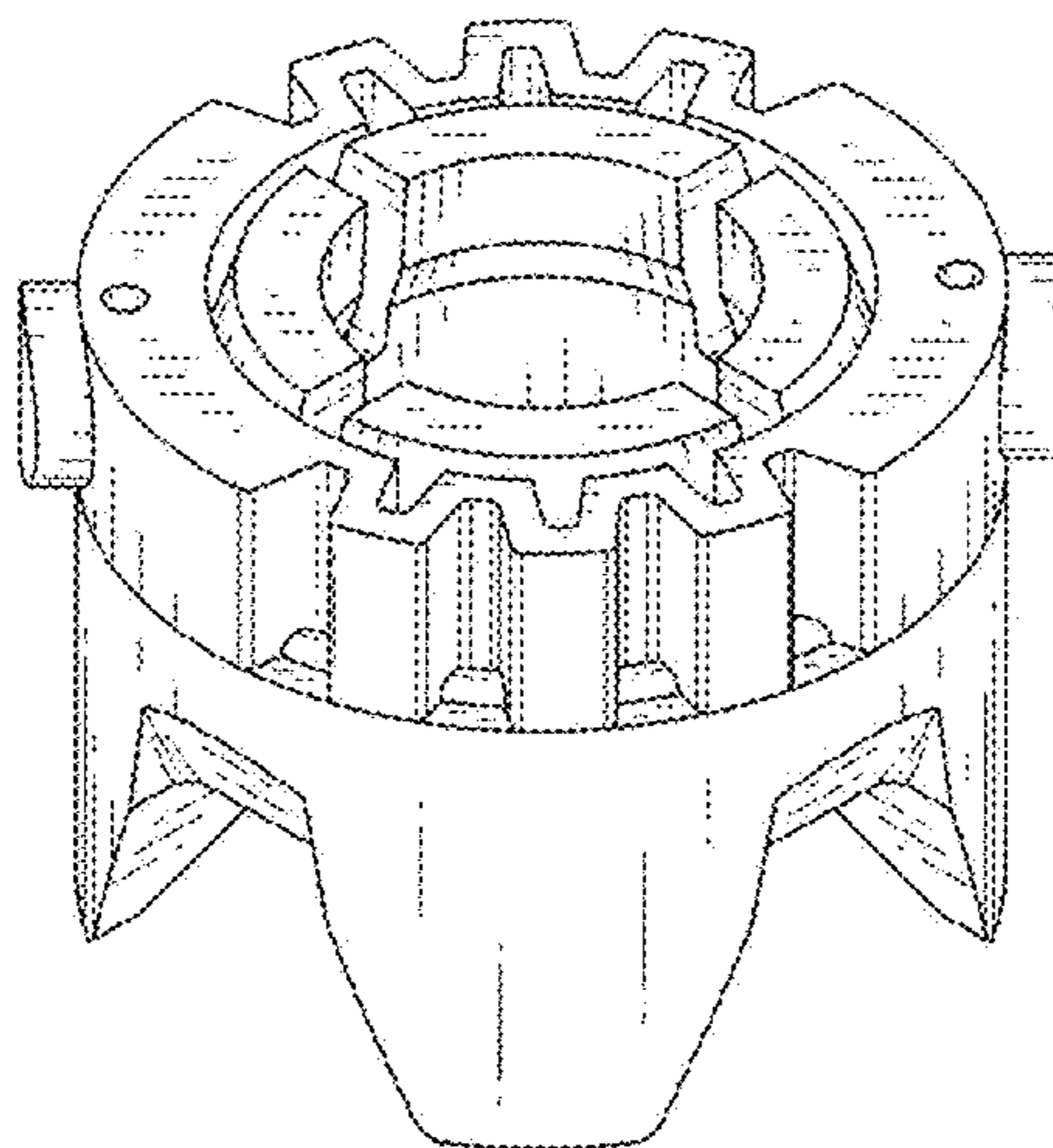
(57) **CLAIM**

The ornamental design for a multi-part collar, as shown and described.

DESCRIPTION

FIG. 1 is a top perspective view of a preferred embodiment of a multi-part collar in accordance with our new design; FIG. 2 is a top plan view of the design shown in FIG. 1; FIG. 3 is a bottom plan view of the design shown in FIG. 1; FIG. 4 is a left side elevation view of the design shown in FIG. 1, a right side elevation view being an identical image thereof; and, FIG. 5 is a front elevation view of the design shown in FIG. 1, a back elevation view being an identical image thereof.

1 Claim, 3 Drawing Sheets



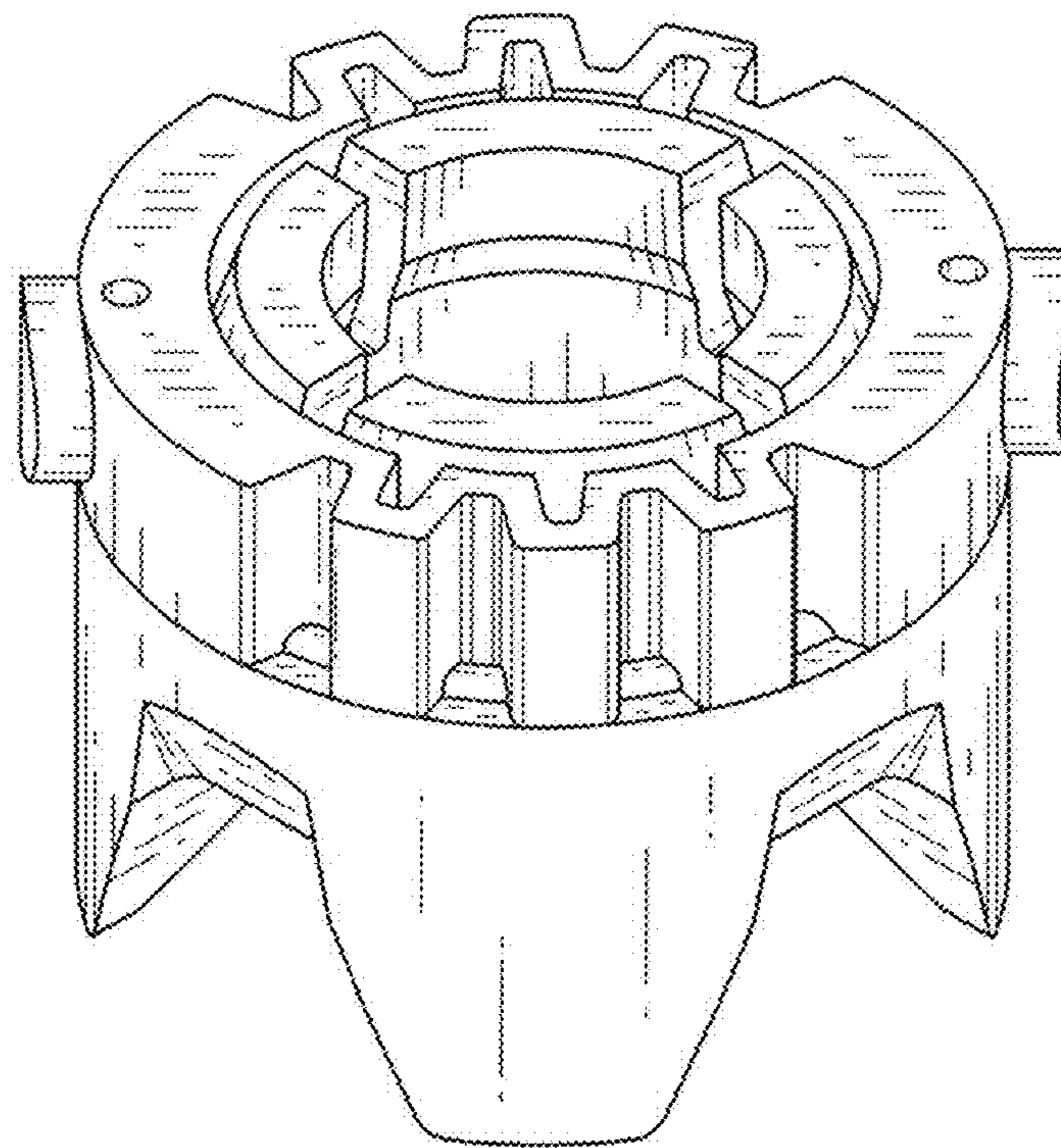


Fig. 1

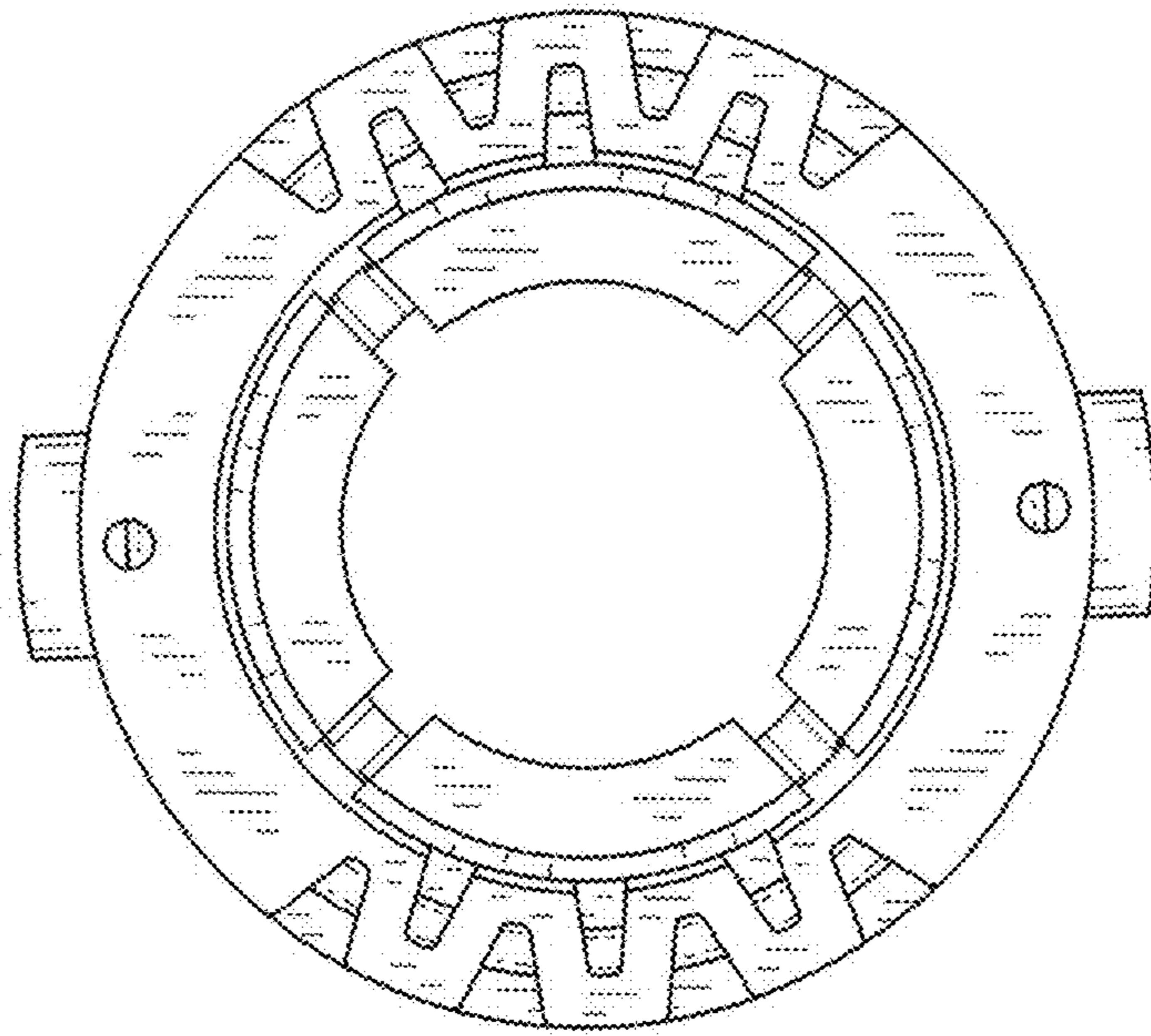


Fig. 2

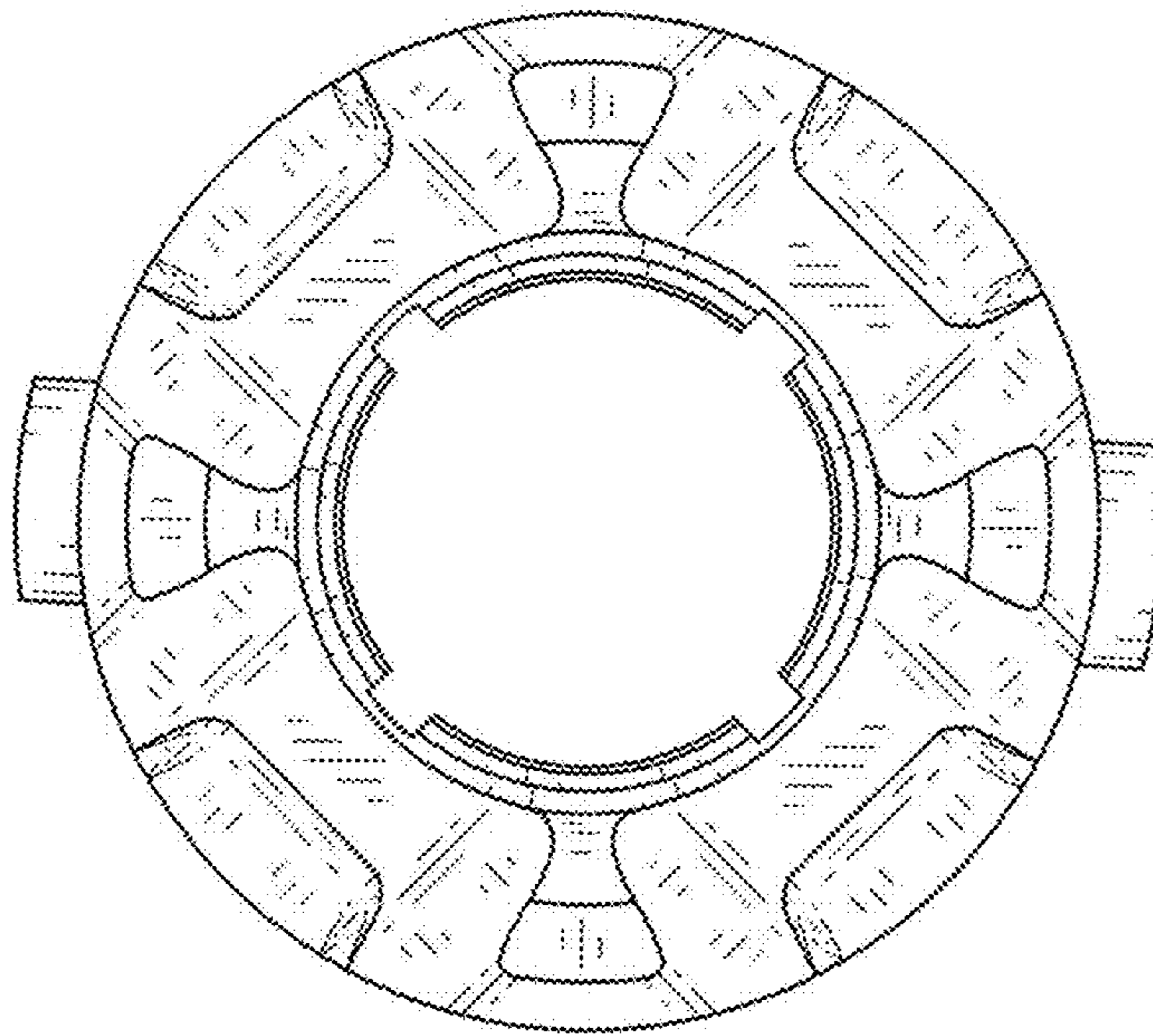


Fig. 3

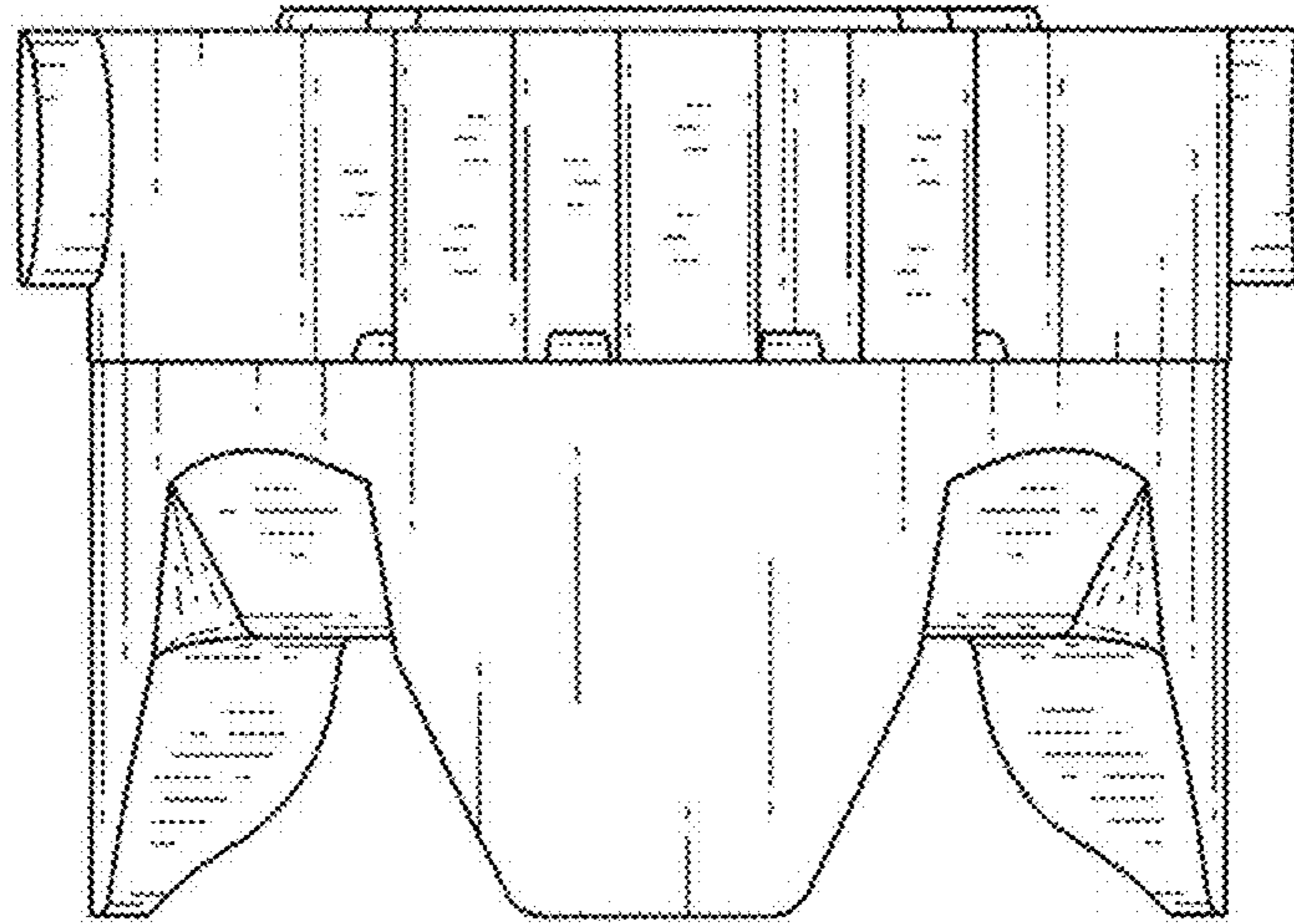


Fig. 4

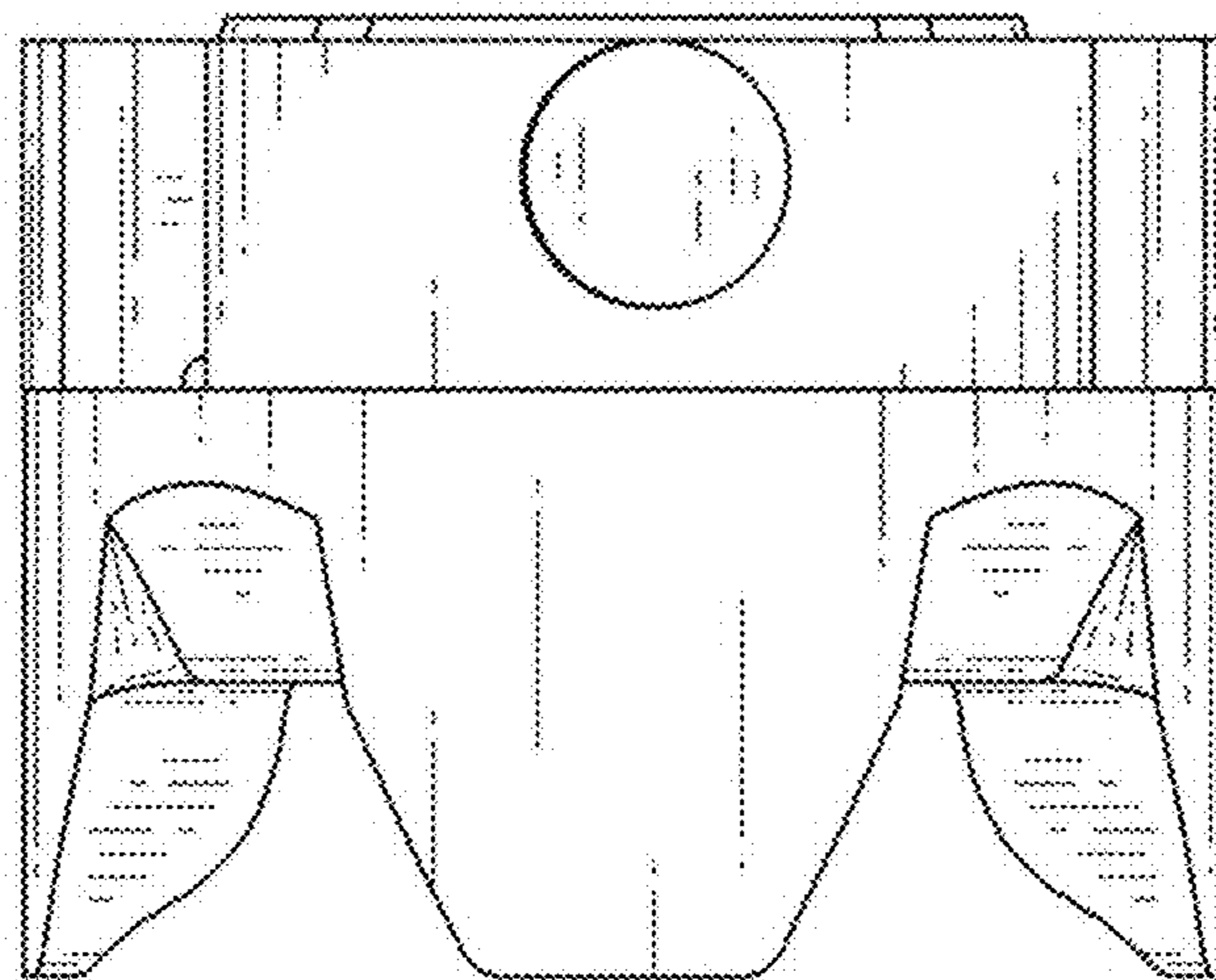


Fig. 5