



US00D851243S

(12) **United States Design Patent**  
**Gloria Bello et al.**

(10) **Patent No.:** **US D851,243 S**  
(45) **Date of Patent:** **\*\* Jun. 11, 2019**

(54) **DIALYSIS DEVICE CONNECTOR WITH THREADS**

(71) Applicant: **IDE TECNOLOGIA S.A de C.V.**,  
Guadalajara, Jalisco (MX)

(72) Inventors: **Oscar Gloria Bello**, Guadalajara (MX);  
**Monica Montserrat Huerta Ruvalcaba**, Guadalajara (MX);  
**Roberto Krumm Cortes**, Guadalajara (MX); **Maria Paloma Franco Uruñuela**, Guadalajara (MX)

(73) Assignee: **IDE TECHNOLOGIES S.A. DE C.V.**,  
Guadalajara, Jalisco (MX)

(\*\*) Term: **15 Years**

(21) Appl. No.: **29/602,926**

(22) Filed: **May 4, 2017**

(30) **Foreign Application Priority Data**

Nov. 7, 2016 (MX) ..... MX/F/2016/003431

(51) **LOC (11) Cl.** ..... **24-01**

(52) **U.S. Cl.**  
USPC ..... **D24/129**

(58) **Field of Classification Search**  
USPC ..... D24/129, 112–114, 130, 127, 104, 133,  
D24/186, 108; 606/181, 185; 604/264,  
604/272, 115, 164.01–164.09, 533, 232,  
604/187, 168.01, 192, 19, 48, 93.01, 523,  
604/524, 526; 600/101, 139, 143;  
128/200.24, 207.14, 207.15; 601/67  
CPC ..... A61M 25/00; A61M 25/0014; A61M  
25/0097; A61M 25/0026  
See application file for complete search history.

(56) **References Cited**

**U.S. PATENT DOCUMENTS**

D288,365 S \* 2/1987 Larkin ..... D24/224  
D314,050 S \* 1/1991 Sone ..... D24/129

D315,583 S \* 3/1991 Larson ..... D21/662  
D340,976 S \* 11/1993 Garcia ..... D24/110  
5,279,597 A \* 1/1994 Dassa ..... A61M 25/0111  
285/339  
5,489,275 A \* 2/1996 Thompson ..... A61M 25/00  
604/111  
5,569,222 A \* 10/1996 Haselhorst ..... A61M 39/10  
604/533  
5,910,133 A \* 6/1999 Gould ..... A61B 17/320725  
604/164.03  
5,947,954 A \* 9/1999 Bonaldo ..... A61M 39/26  
604/248  
6,508,807 B1 \* 1/2003 Peters ..... A61M 39/1011  
604/533  
D473,646 S \* 4/2003 Baillargeon ..... D24/129  
(Continued)

*Primary Examiner* — David G Muller  
*Assistant Examiner* — Nathan M Johnston  
(74) *Attorney, Agent, or Firm* — Schwabe Williamson & Wyatt, PC

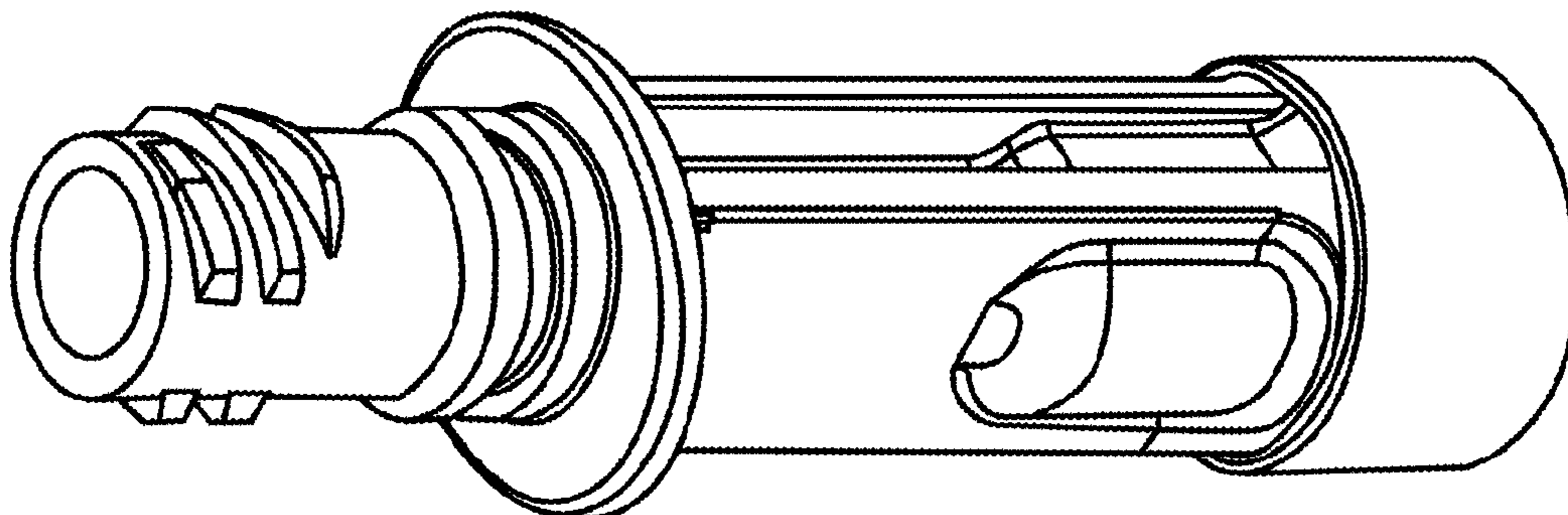
(57) **CLAIM**

We claim the ornamental design for a dialysis device connector, as shown and described.

**DESCRIPTION**

FIG. 1 is a perspective side view of a dialysis device connector showing our new design;  
FIG. 2 is a right side elevation view thereof;  
FIG. 3 is a left side elevation view thereof;  
FIG. 4 is a right end elevation view thereof;  
FIG. 5 is a left end elevation view thereof;  
FIG. 6 is a top plan view thereof; and,  
FIG. 7 is a bottom plan view thereof.  
The broken lines-show portions of the design that form no part of the claimed design.  
The characteristic feature of the design resides in elongated body ending in a connector having threads.

**1 Claim, 7 Drawing Sheets**



(56)

References Cited

U.S. PATENT DOCUMENTS

D484,593 S \* 12/2003 Baillargeon ..... D24/129  
 D488,866 S \* 4/2004 O'Dell ..... D24/129  
 6,719,737 B2 \* 4/2004 Kobayashi ..... A61M 5/3216  
 206/365  
 D546,946 S \* 7/2007 Blake ..... D24/129  
 7,252,652 B2 \* 8/2007 Moorehead ..... A61M 25/0075  
 137/493  
 D602,128 S \* 10/2009 Williams ..... D23/262  
 D605,058 S \* 12/2009 McGrath ..... D9/424  
 D613,873 S \* 4/2010 Jia ..... D24/224  
 D636,079 S \* 4/2011 Leybold ..... D24/129  
 D639,939 S \* 6/2011 Klockars ..... D24/129  
 D667,959 S \* 9/2012 Lin ..... D24/224  
 8,512,313 B2 \* 8/2013 Atkinson ..... A61M 25/0017  
 604/264  
 8,523,826 B2 \* 9/2013 Layton, Jr. .... A61M 39/16  
 604/237  
 D694,405 S \* 11/2013 Khalaj ..... D24/130  
 8,690,120 B2 \* 4/2014 Hartnett ..... A61M 39/22  
 251/252

8,814,849 B1 \* 8/2014 Winsor ..... A61M 39/24  
 604/284  
 8,968,271 B2 \* 3/2015 Guala ..... A61M 39/10  
 604/533  
 8,974,437 B2 \* 3/2015 Williams ..... A61M 39/1011  
 604/533  
 D746,448 S \* 12/2015 Wu ..... D24/129  
 D773,659 S \* 12/2016 Cain ..... D24/129  
 D784,529 S \* 4/2017 Steele ..... D24/129  
 2002/0099360 A1 \* 7/2002 Bierman ..... A61M 39/10  
 604/523  
 2002/0133124 A1 \* 9/2002 Leinsing ..... A61M 39/26  
 604/256  
 2004/0143226 A1 \* 7/2004 Marsden ..... A61M 5/165  
 604/272  
 2006/0129089 A1 \* 6/2006 Stamp ..... A61M 5/30  
 604/93.01  
 2007/0043334 A1 \* 2/2007 Guala ..... A61M 39/10  
 604/533  
 2013/0303844 A1 \* 11/2013 Grudo ..... A61B 1/00068  
 600/101  
 2015/0343195 A1 \* 12/2015 Laufer ..... A61M 39/22  
 604/256

\* cited by examiner

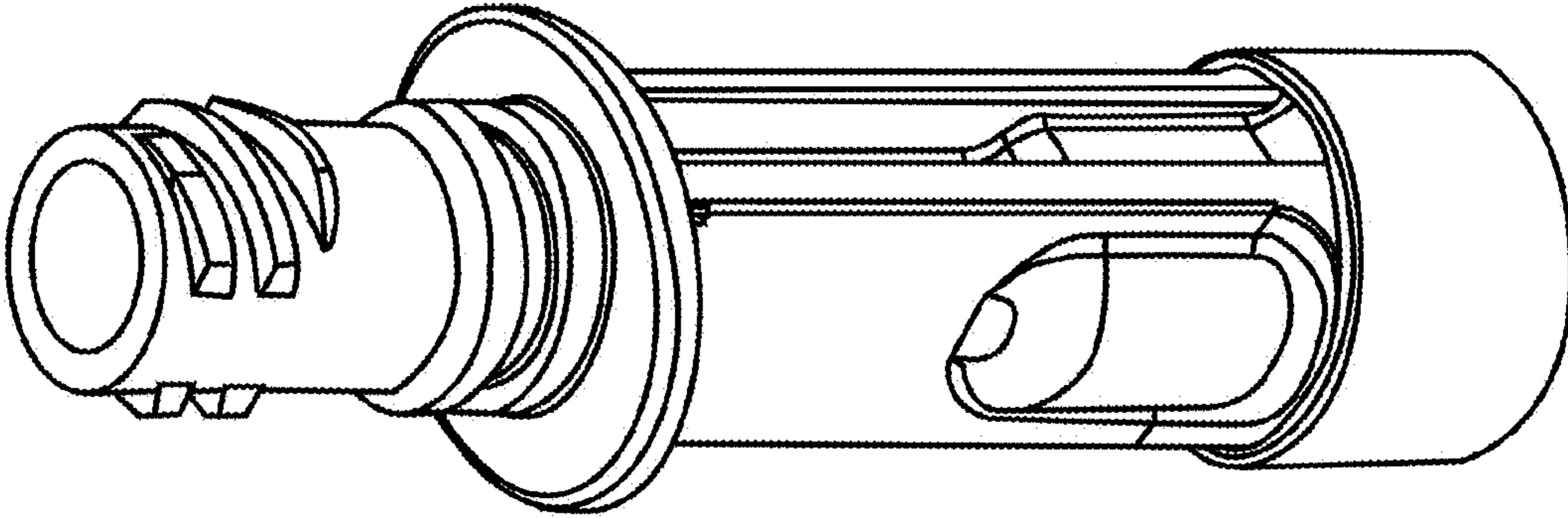


FIG. 1

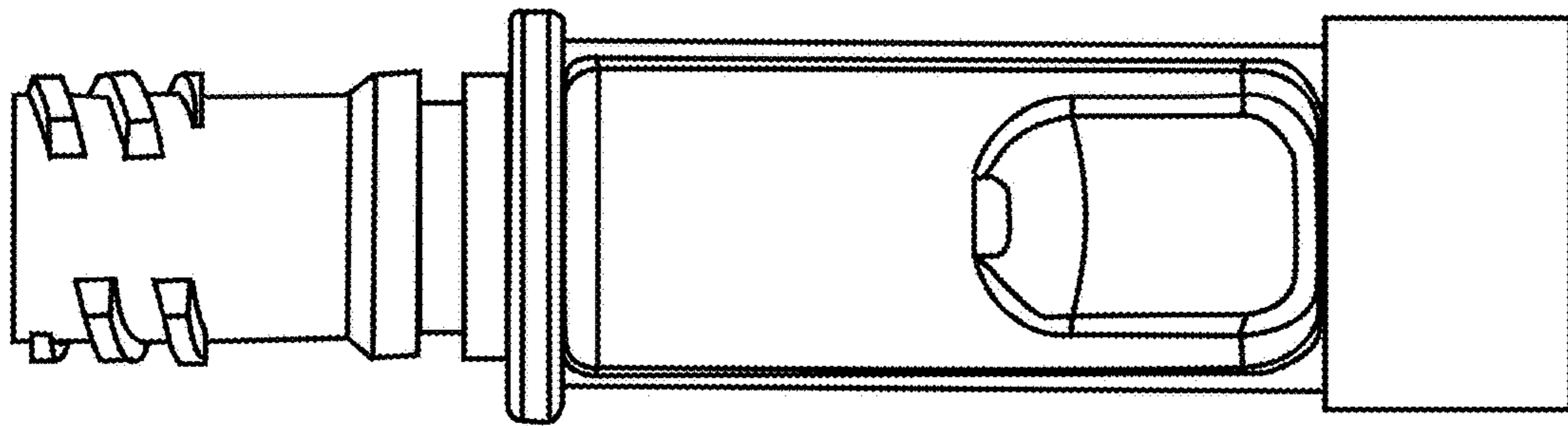


FIG. 2

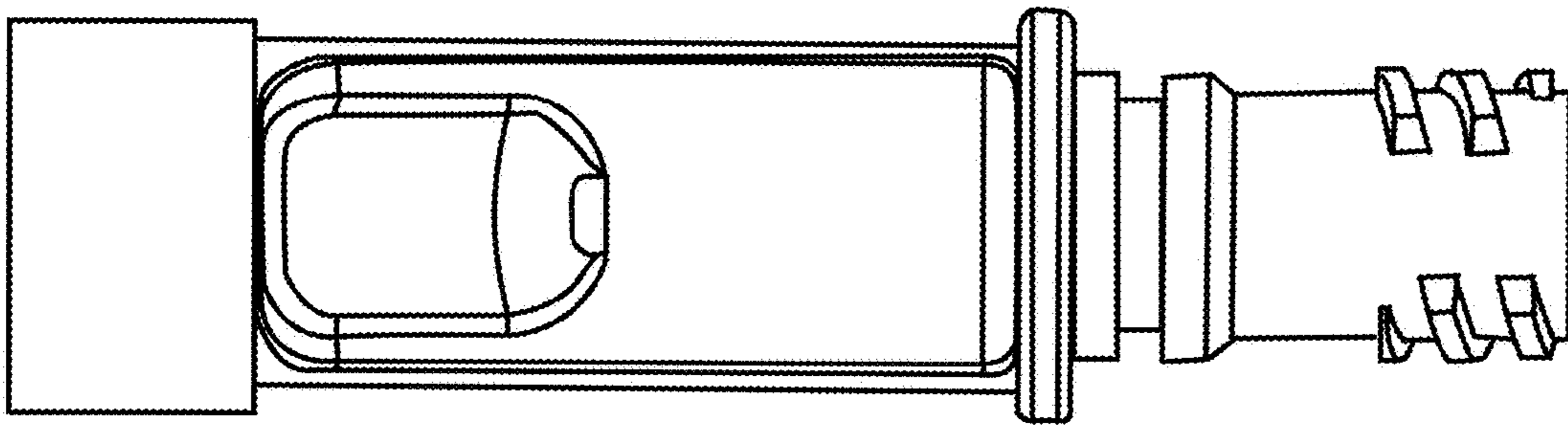


FIG. 3

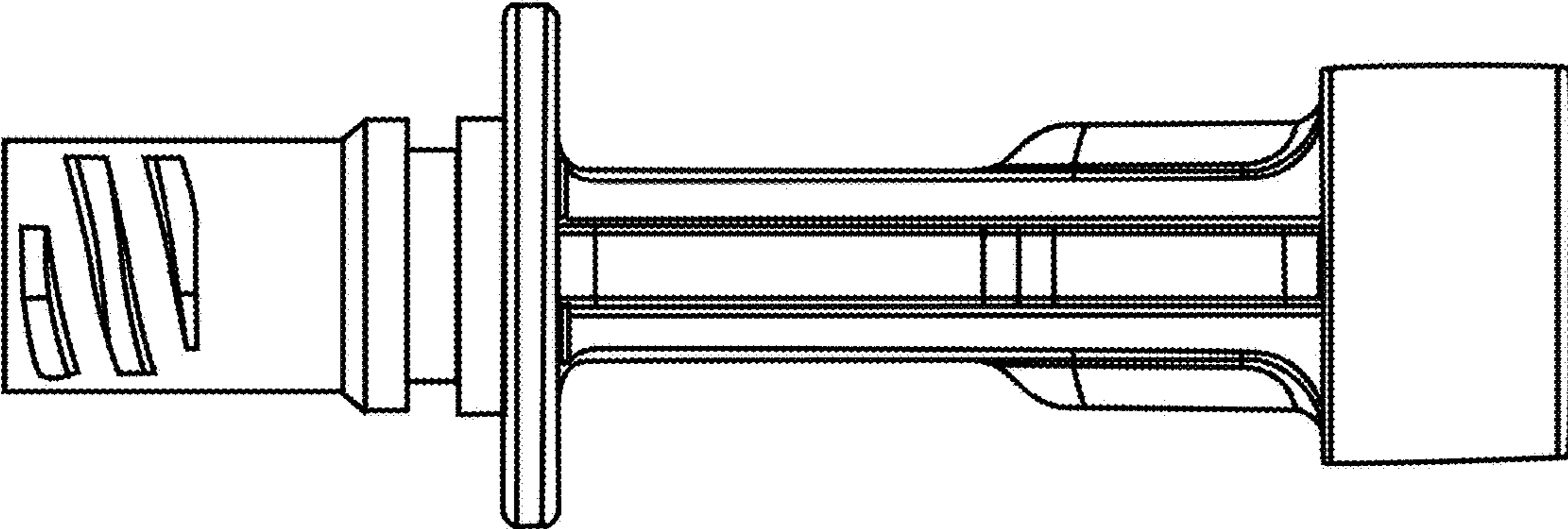


FIG. 4



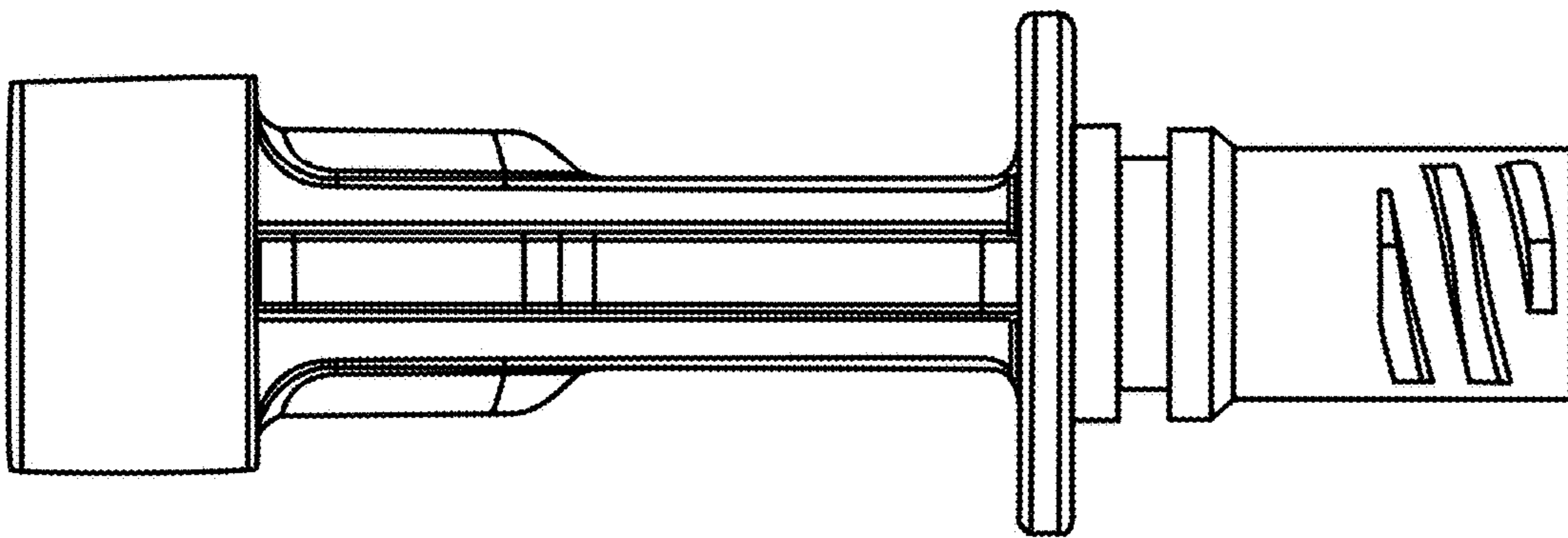


FIG. 5

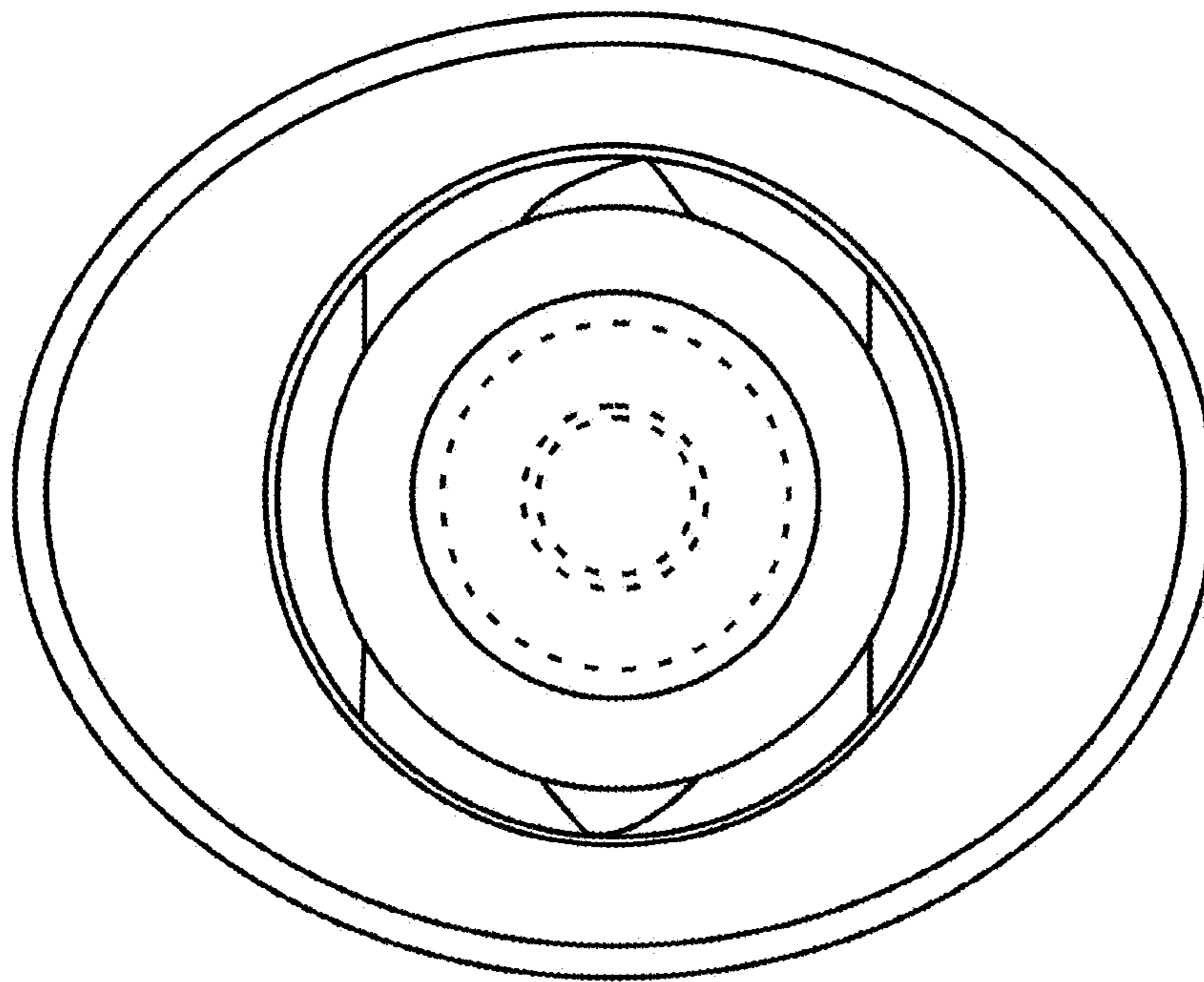


FIG. 6



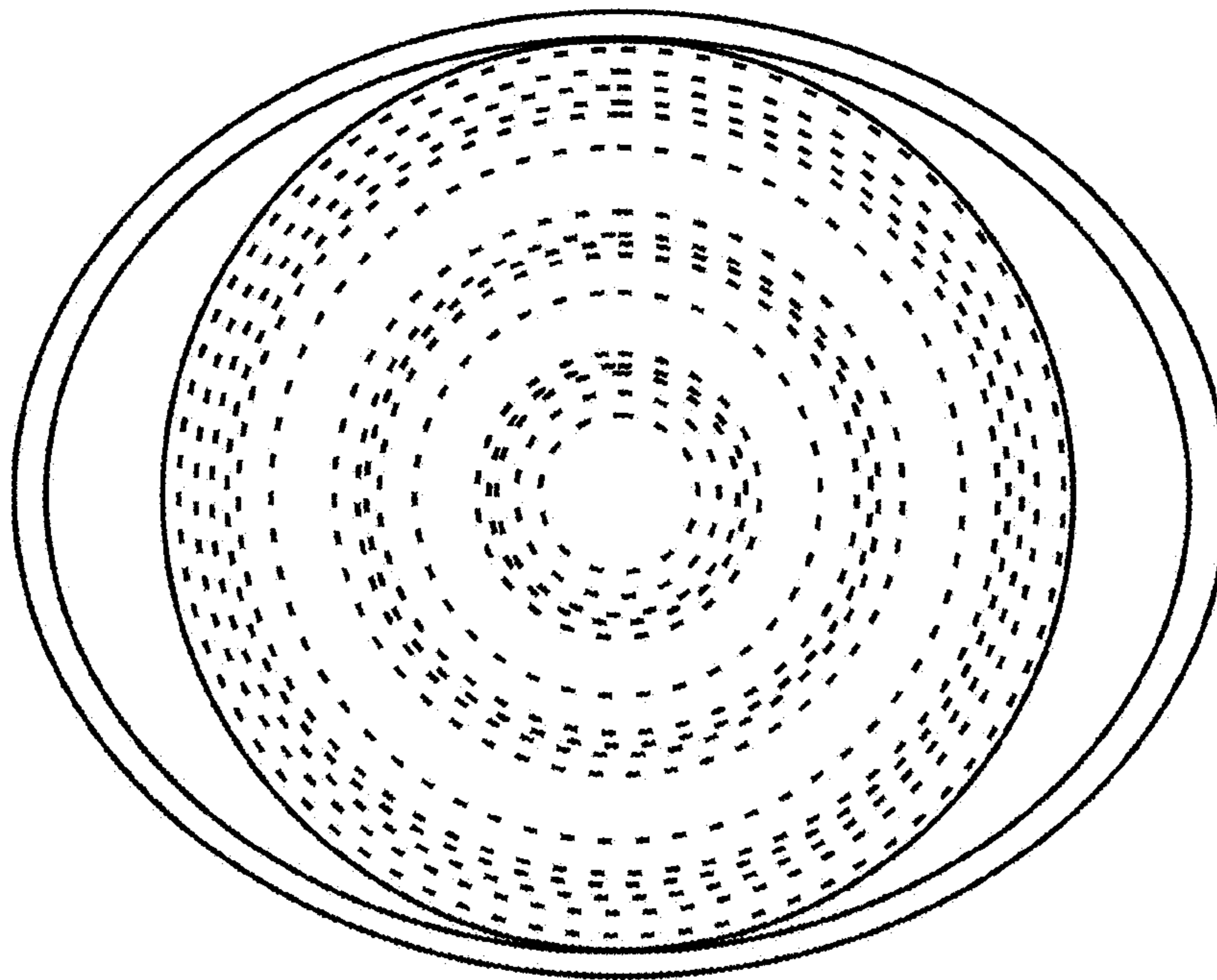


FIG. 7