



US00D851242S

(12) **United States Design Patent** (10) **Patent No.:** **US D851,242 S**
Khanicheh et al. (45) **Date of Patent:** **** Jun. 11, 2019**

(54) **SCOPE HOLDER**

FOREIGN PATENT DOCUMENTS

(71) Applicant: **HOYA Corporation**, Tokyo (JP)
(72) Inventors: **Azadeh Khanicheh**, Somerville, MA (US); **Isaac Ostrovsky**, Wellesley, MA (US); **Michael Barenboym**, Boston, MA (US); **Hrishikesh Vishvas Deo**, Brooklyn, NY (US)

JP 2004-275203 A 10/2004
Primary Examiner — David G Muller
(74) *Attorney, Agent, or Firm* — Finnegan, Henderson, Farabow, Garrett & Dunner

(73) Assignee: **HOYA CORPORATION**, Tokyo (JP)
(**) Term: **15 Years**

(57) **CLAIM**

The ornamental design for a scope holder, as shown and described.

(21) Appl. No.: **29/592,645**

(22) Filed: **Feb. 1, 2017**

(51) **LOC (11) Cl.** **24-02**

(52) **U.S. Cl.**
USPC **D24/128**

(58) **Field of Classification Search**
USPC D24/127–131, 138, 112–114, 133, 186; 606/181, 185; 604/264, 523–528, 272, 604/187, 158, 164.01–164.11, 181, 184, 604/227; 600/101, 139, 143; 128/200.24, 207.14, 207.15
CPC A61B 1/0014; A61M 25/00; A61M 39/00; A61M 27/00; A61M 25/0043; A61M 25/0067; A61M 25/0097; A61F 2/958
See application file for complete search history.

DESCRIPTION

FIG. 1 is a top, rear, right perspective view of a scope holder, showing our new design;
FIG. 2 is a front, left perspective view thereof;
FIG. 3 is a front elevation view thereof;
FIG. 4 is a rear elevation view thereof;
FIG. 5 is a right side elevation view thereof;
FIG. 6 is a left side elevation view thereof;
FIG. 7 is a top plan view thereof;
FIG. 8 is a bottom plan view thereof;
FIG. 9 is an enlarged top, front, right perspective view of portion of the scope holder attachment, the shaft of the scope holder being part of the claim, but not shown;
FIG. 10 is an enlarged bottom left rear perspective view thereof;
FIG. 11 is an enlarged front elevation view thereof;
FIG. 12 is an enlarged rear elevation view thereof;
FIG. 13 is an enlarged right side elevation view thereof;
FIG. 14 is an enlarged left side elevation view thereof;
FIG. 15 is an enlarged top plan view thereof; and,
FIG. 16 is an enlarged bottom plan view thereof.
The broken lines of even length shown in the drawings illustrate portions of the scope holder that form no part of the claimed design. The uneven length broken lines illustrate the boundary of the claimed design and form no part thereof.

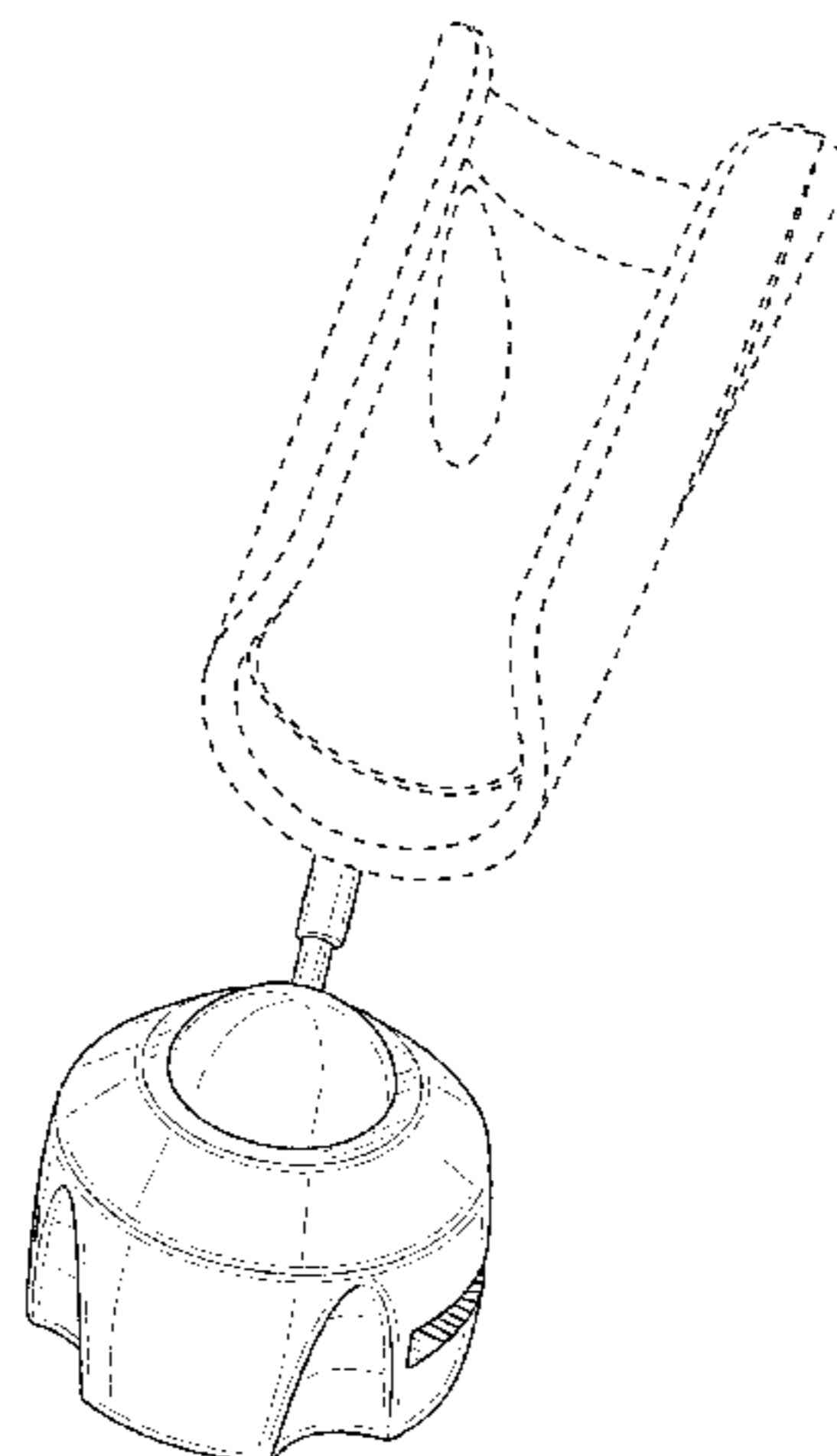
(56) **References Cited**

U.S. PATENT DOCUMENTS

4,854,301 A 8/1989 Nakajima
5,613,305 A 3/1997 Narrin
6,248,101 B1 6/2001 Whitmore, III et al.
D495,050 S * 8/2004 Guala D24/108
8,317,149 B2 * 11/2012 Greenburg A61B 1/00128
248/228.7
8,715,270 B2 * 5/2014 Weitzner A61B 1/0014
606/1
8,979,826 B2 * 3/2015 Kappel A61B 1/00149
606/1

(Continued)

1 Claim, 16 Drawing Sheets



(56)

References Cited

U.S. PATENT DOCUMENTS

9,498,107	B2 *	11/2016	Doyle	A61B 1/0014
D794,781	S *	8/2017	Gilbert	D24/129
D800,899	S *	10/2017	Adams	D24/129
D802,759	S *	11/2017	Guala	D24/129
D815,277	S *	4/2018	Eury	D24/129
D816,216	S *	4/2018	Gulliver	D24/129
D831,201	S *	10/2018	Holtz	D24/129
2008/0154089	A1	6/2008	Kanazawa		
2008/0188868	A1	8/2008	Weitzner et al.		
2017/0027422	A1	2/2017	Khanicheh et al.		

* cited by examiner

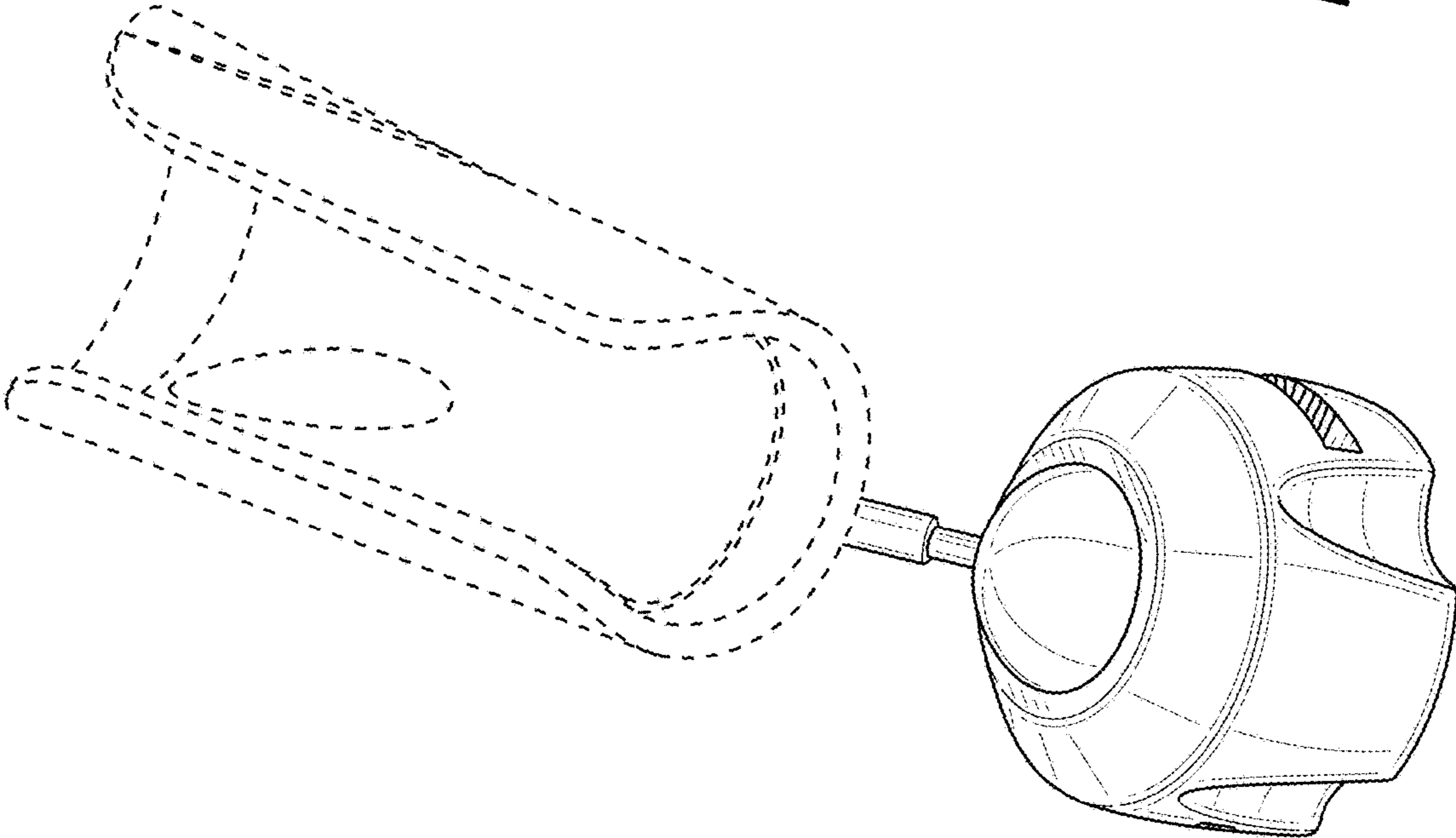


FIG. 1

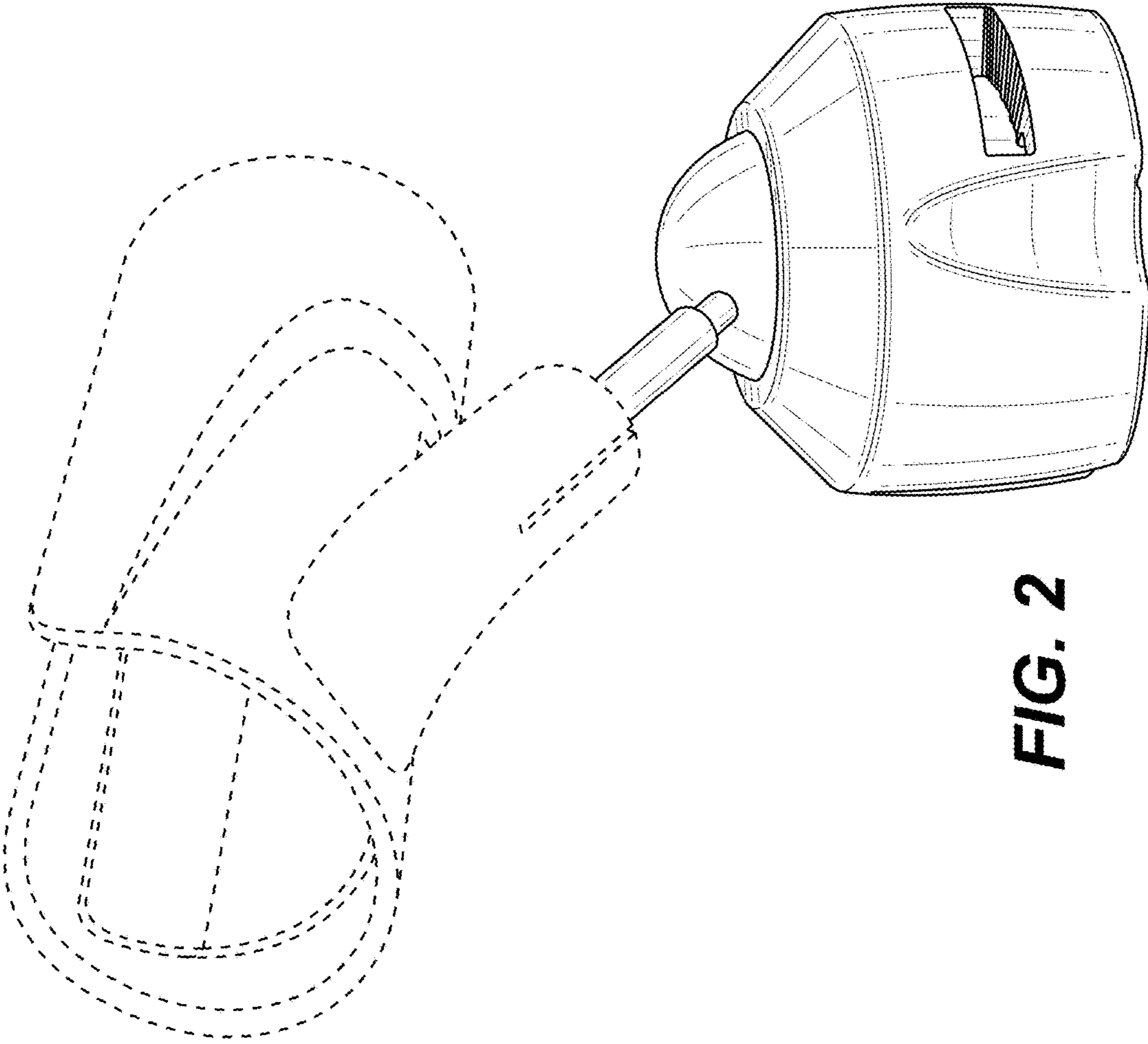


FIG. 2

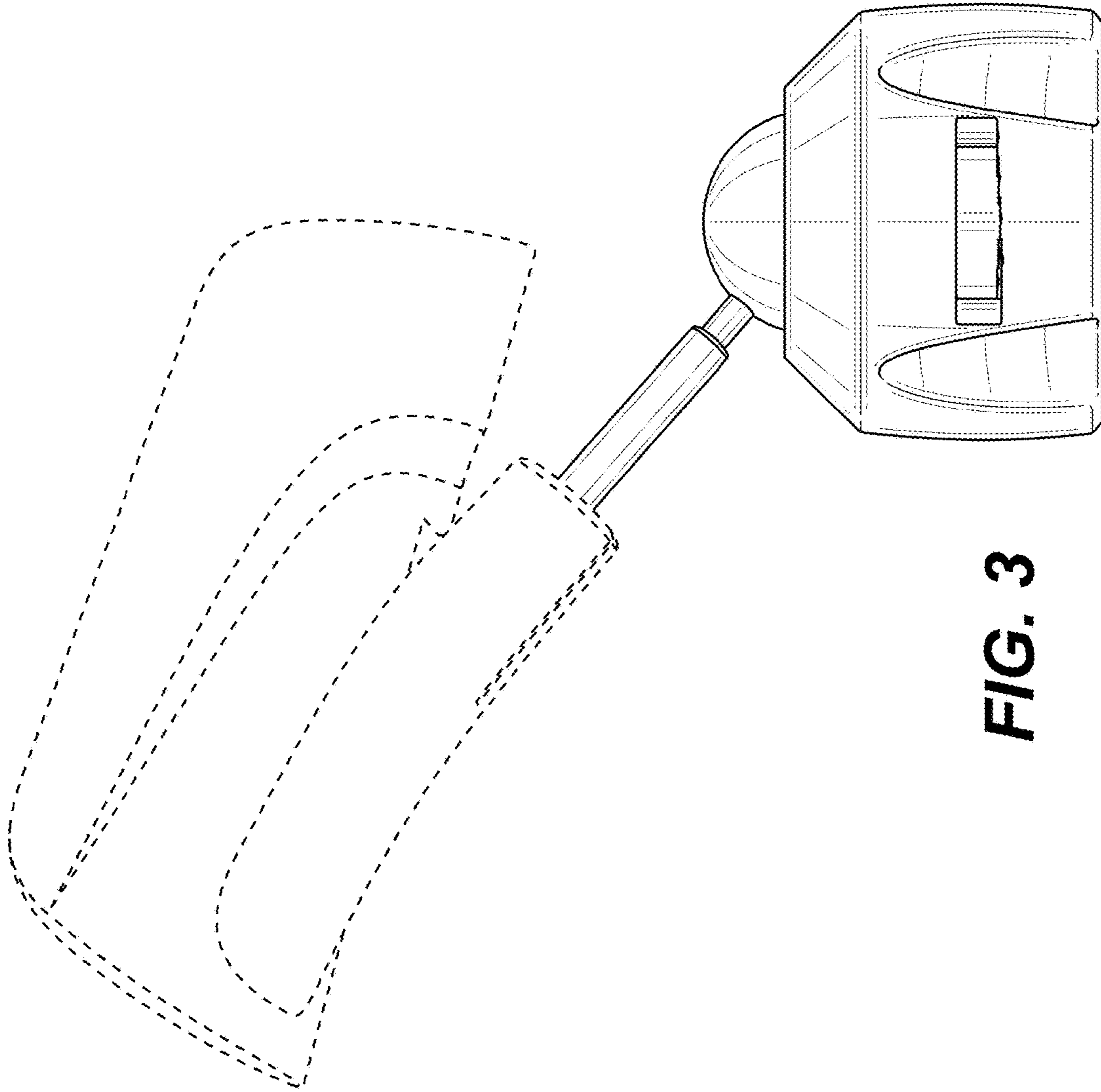


FIG. 3

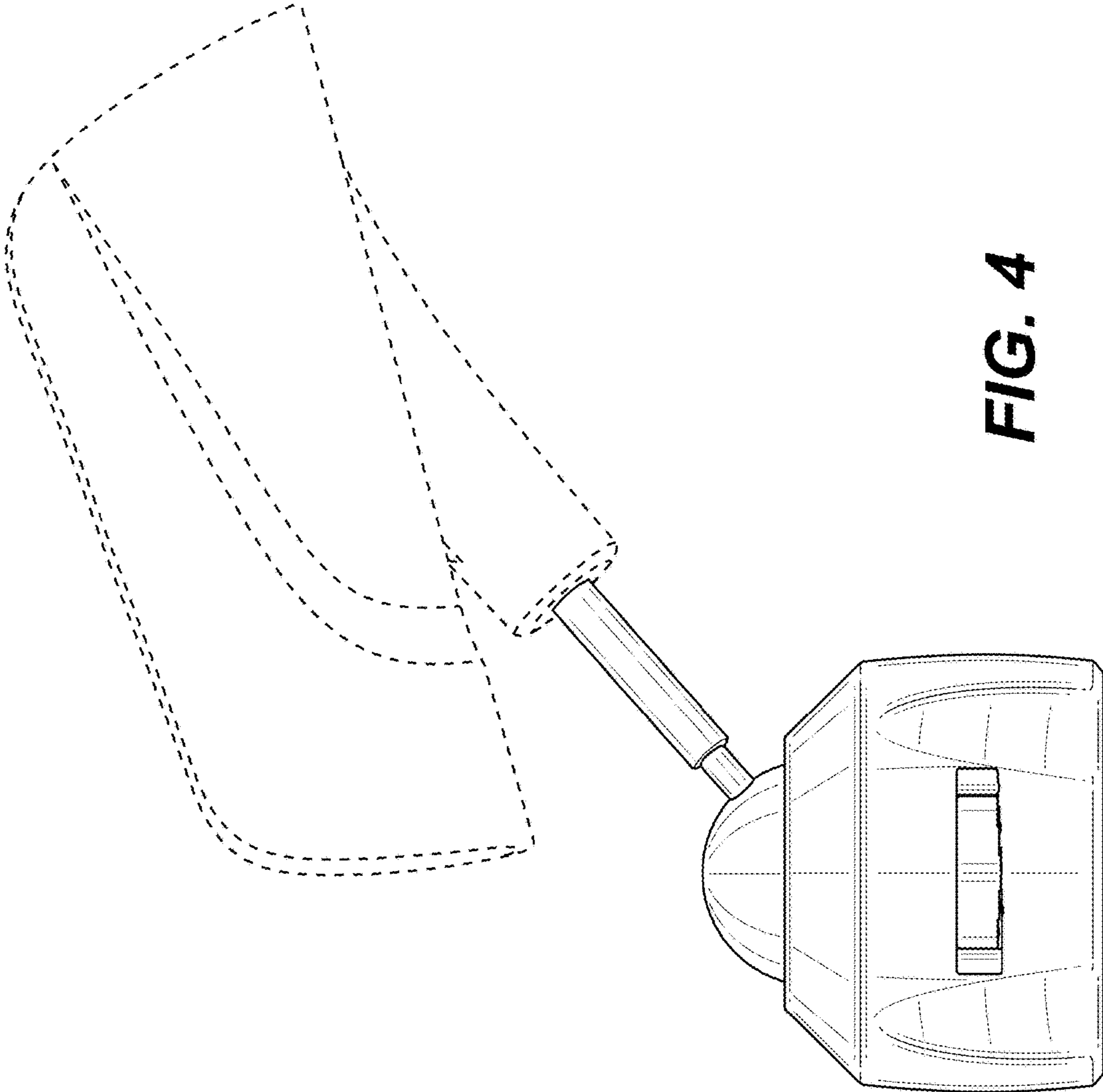


FIG. 4

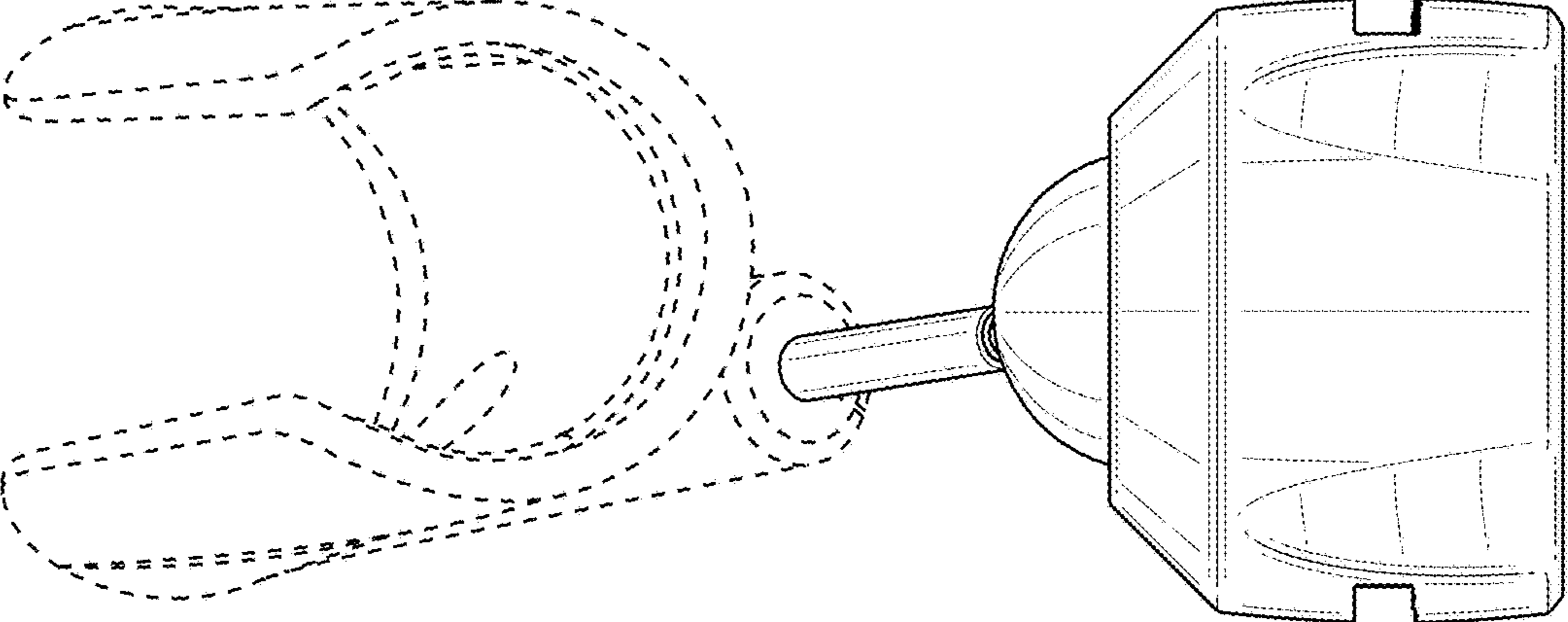


FIG. 5

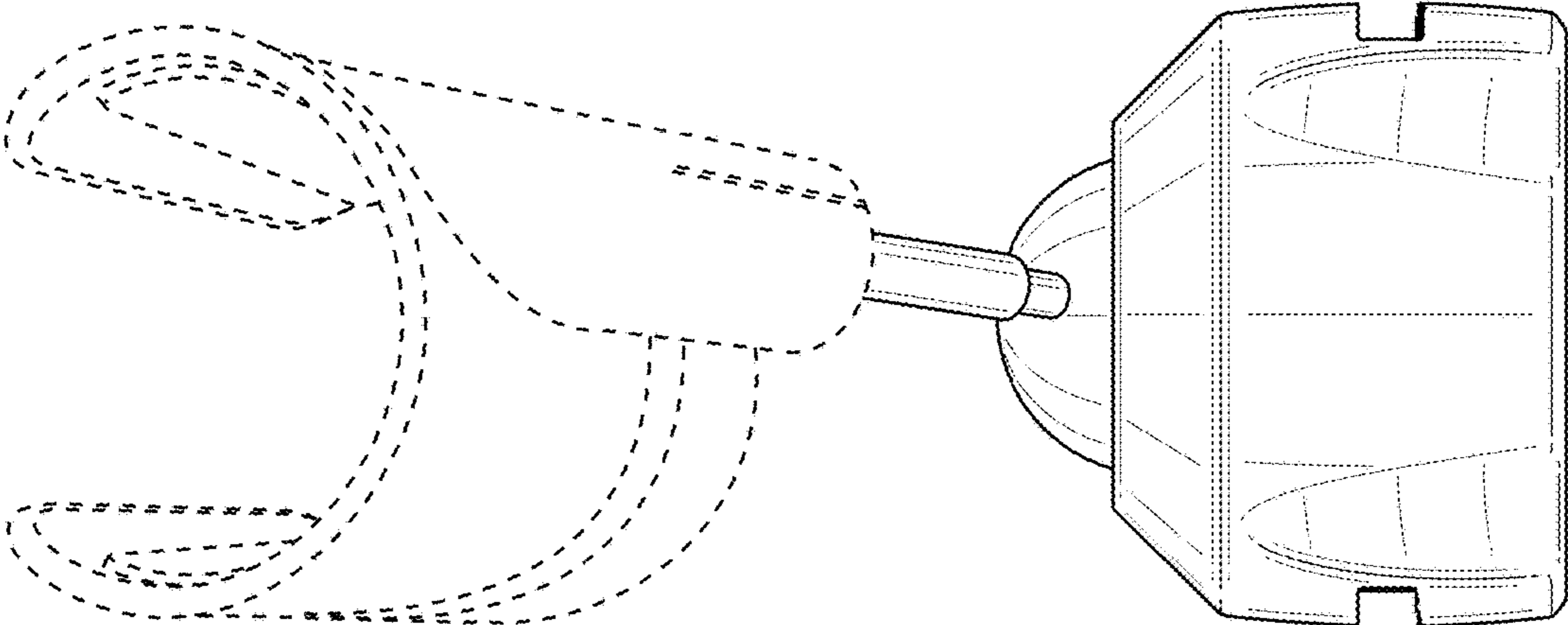


FIG. 6

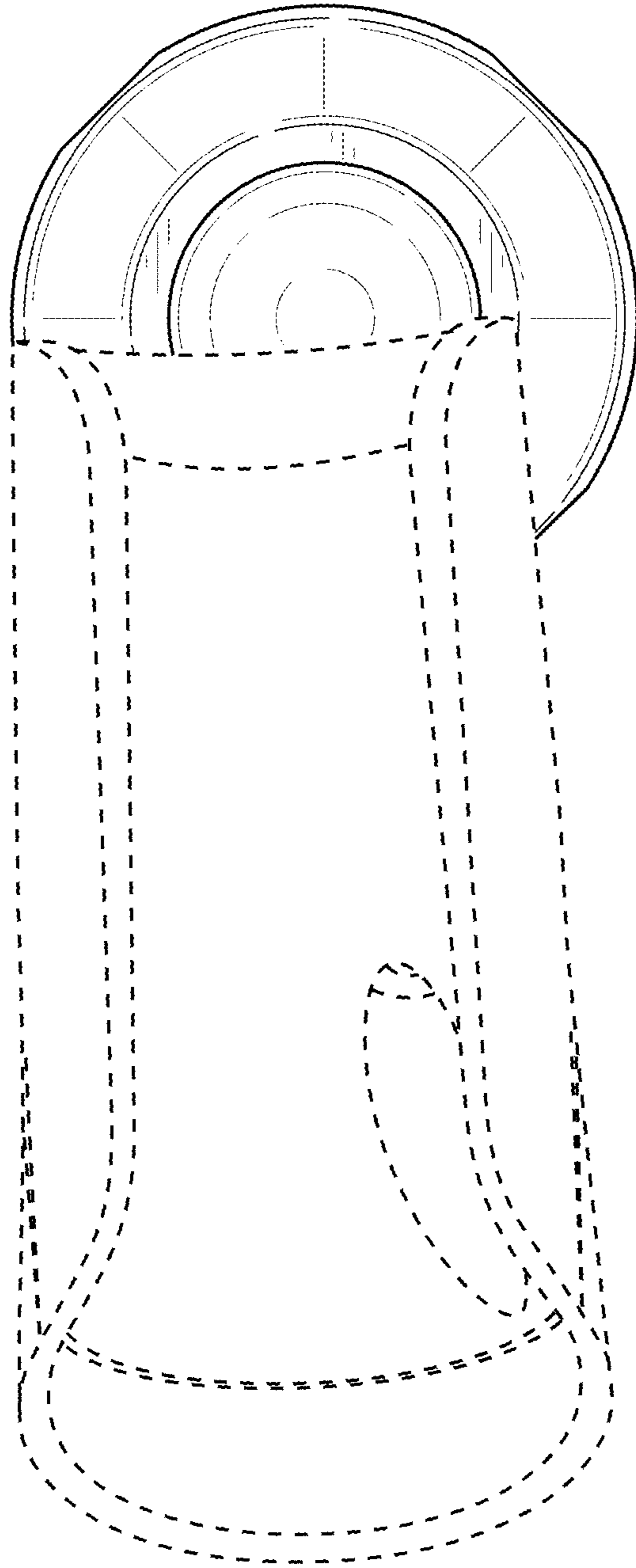


FIG. 7

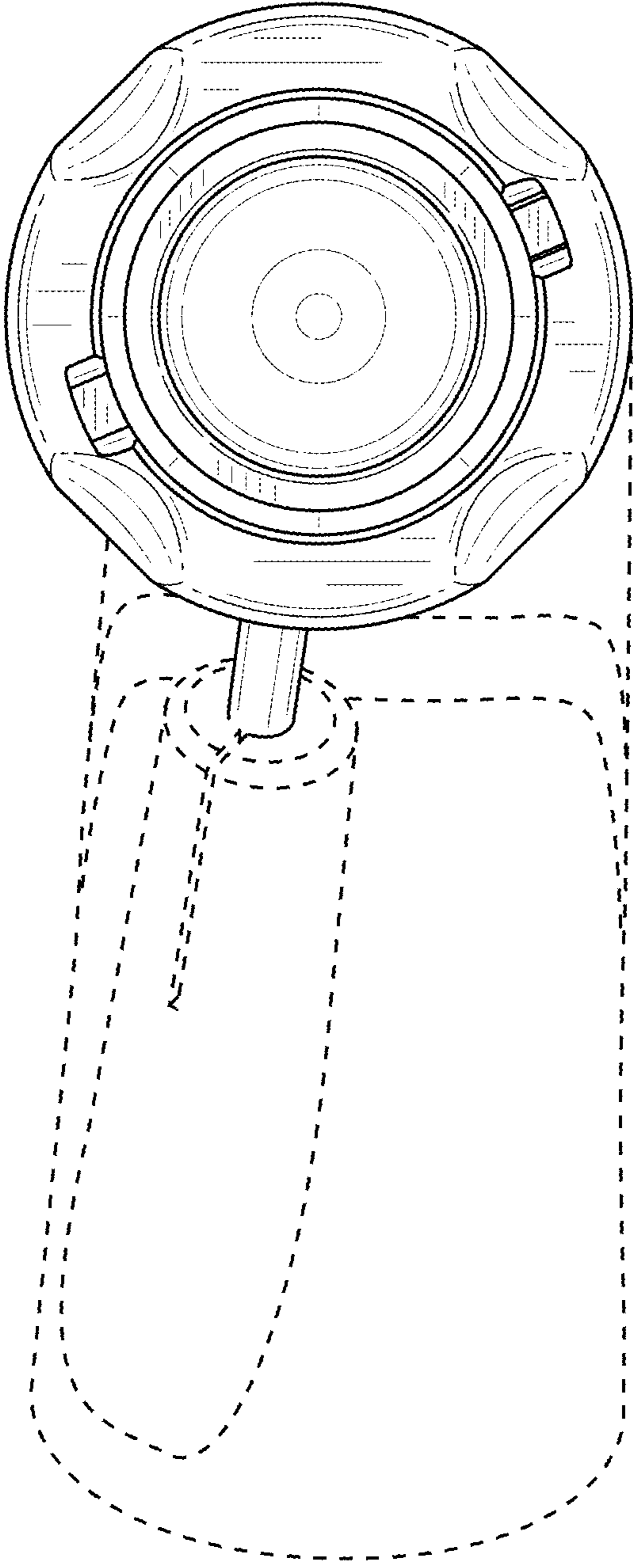


FIG. 8

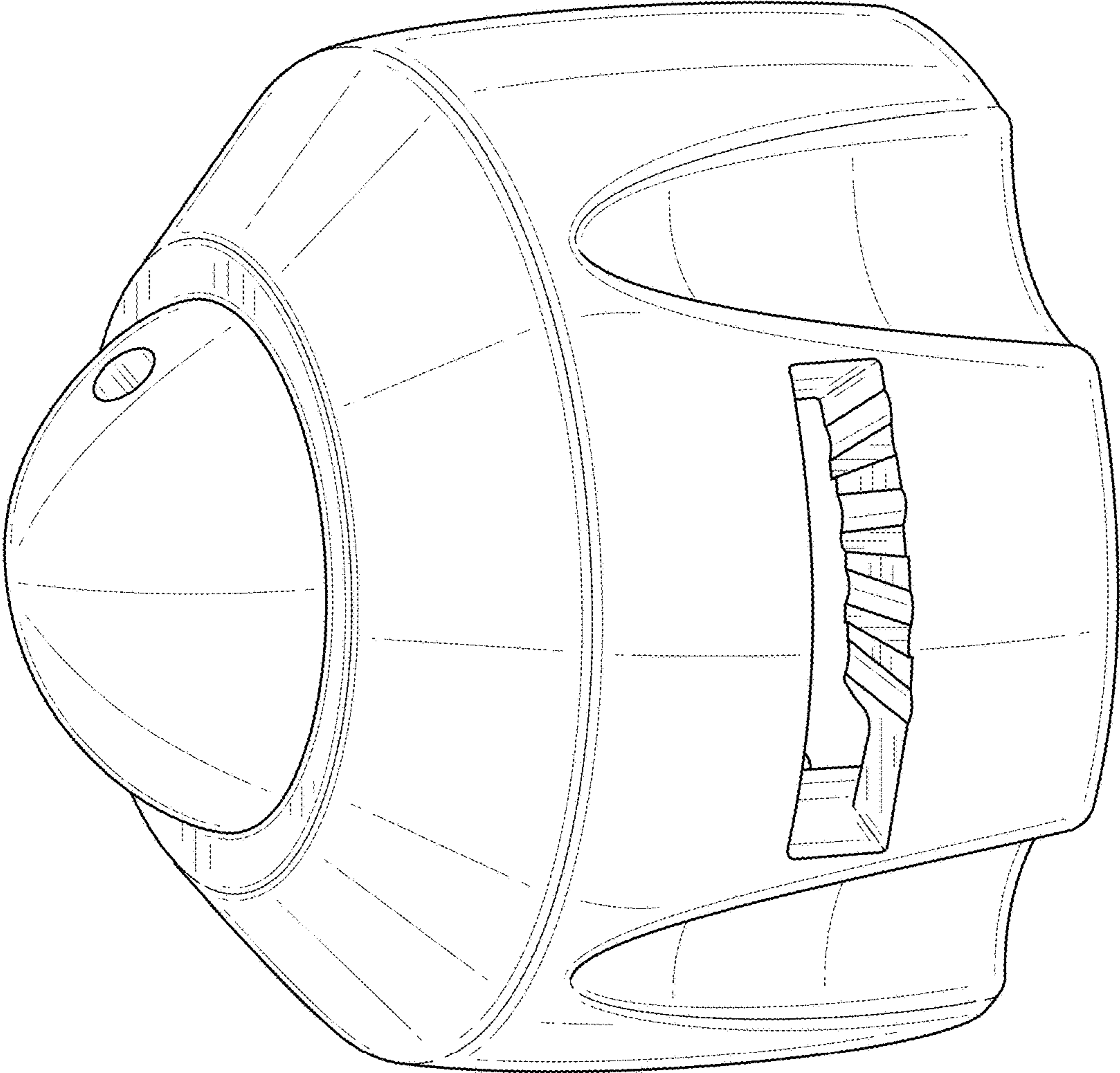


FIG. 9

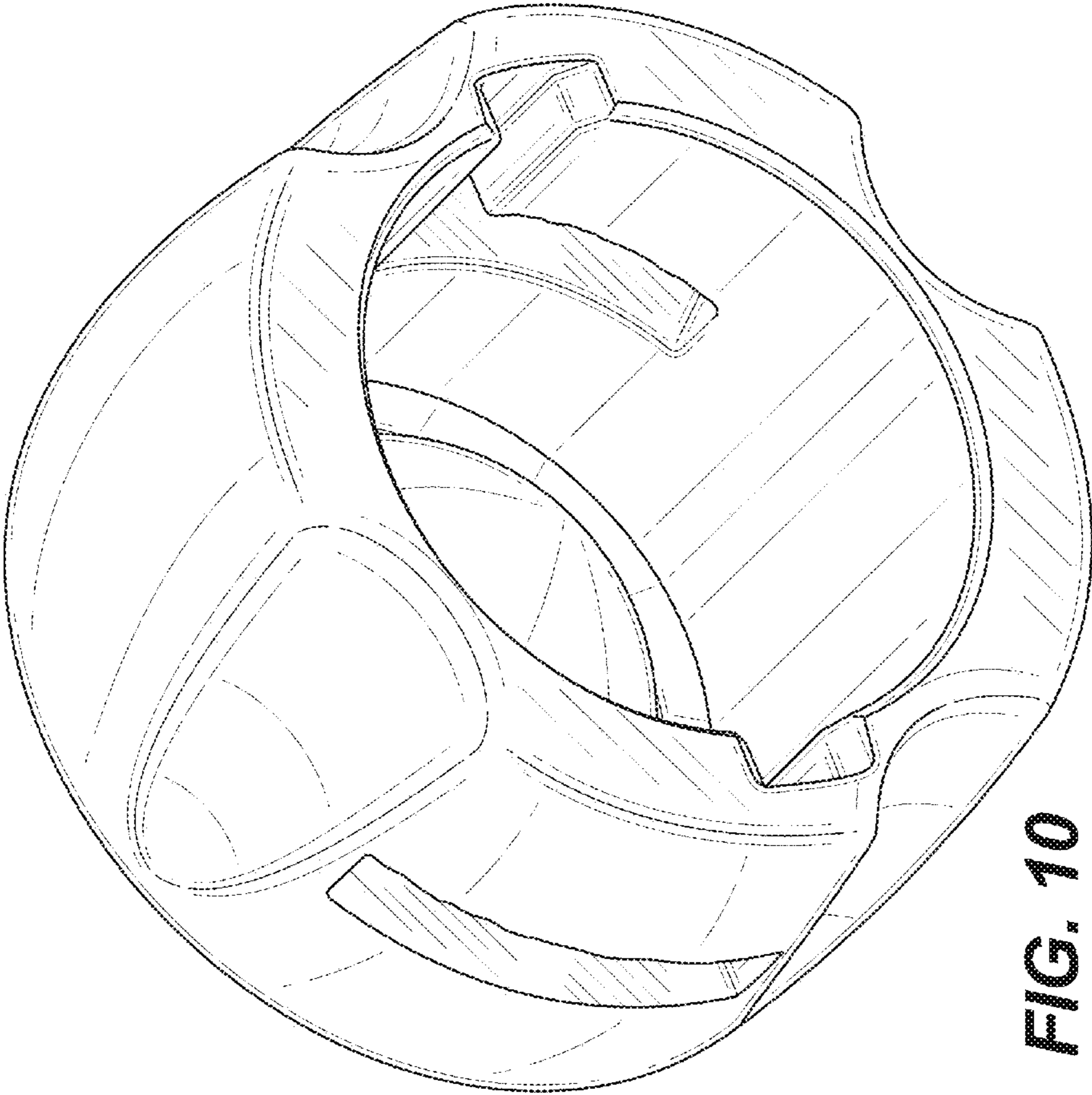


FIG. 10

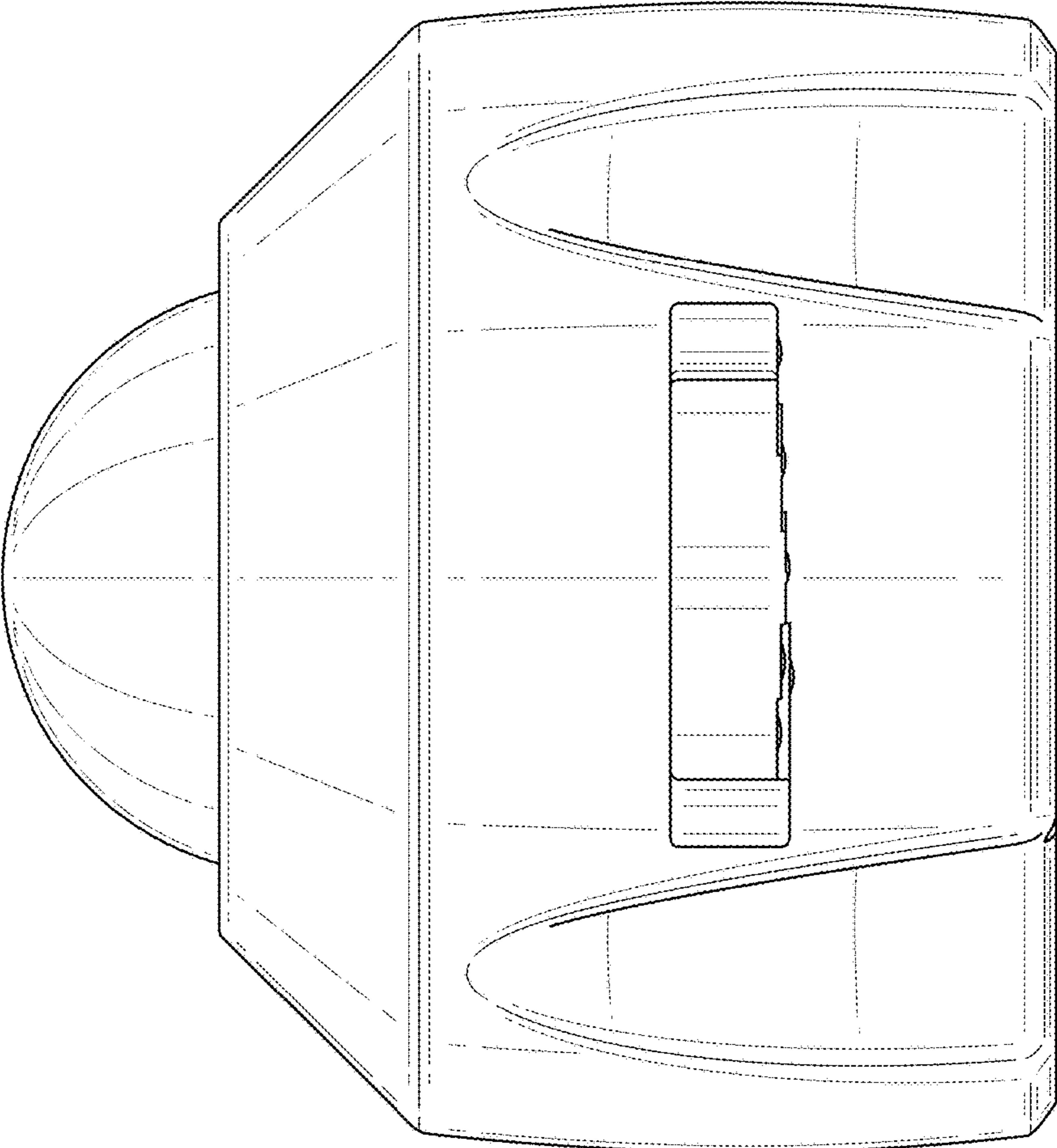


FIG. 11

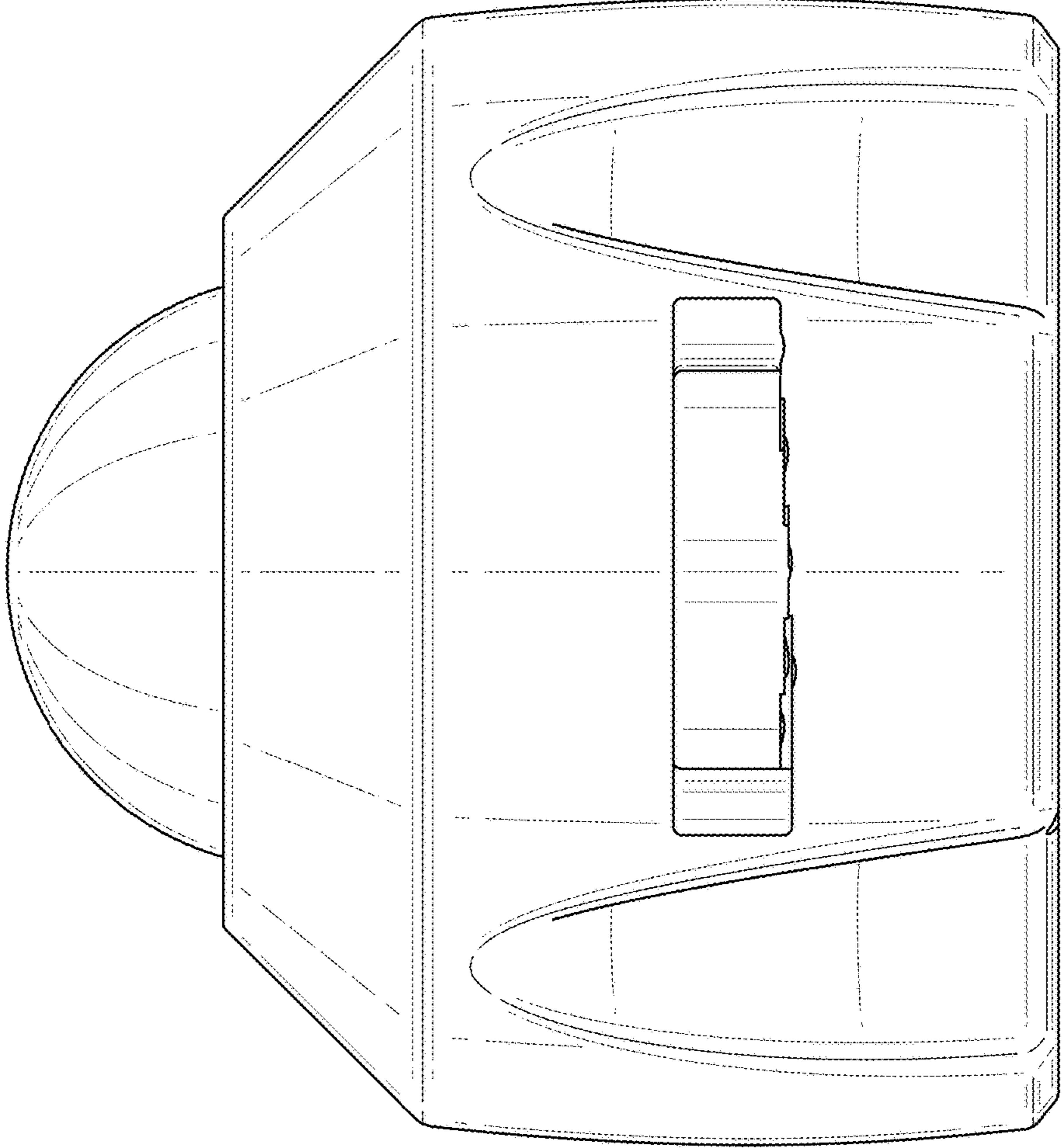


FIG. 12

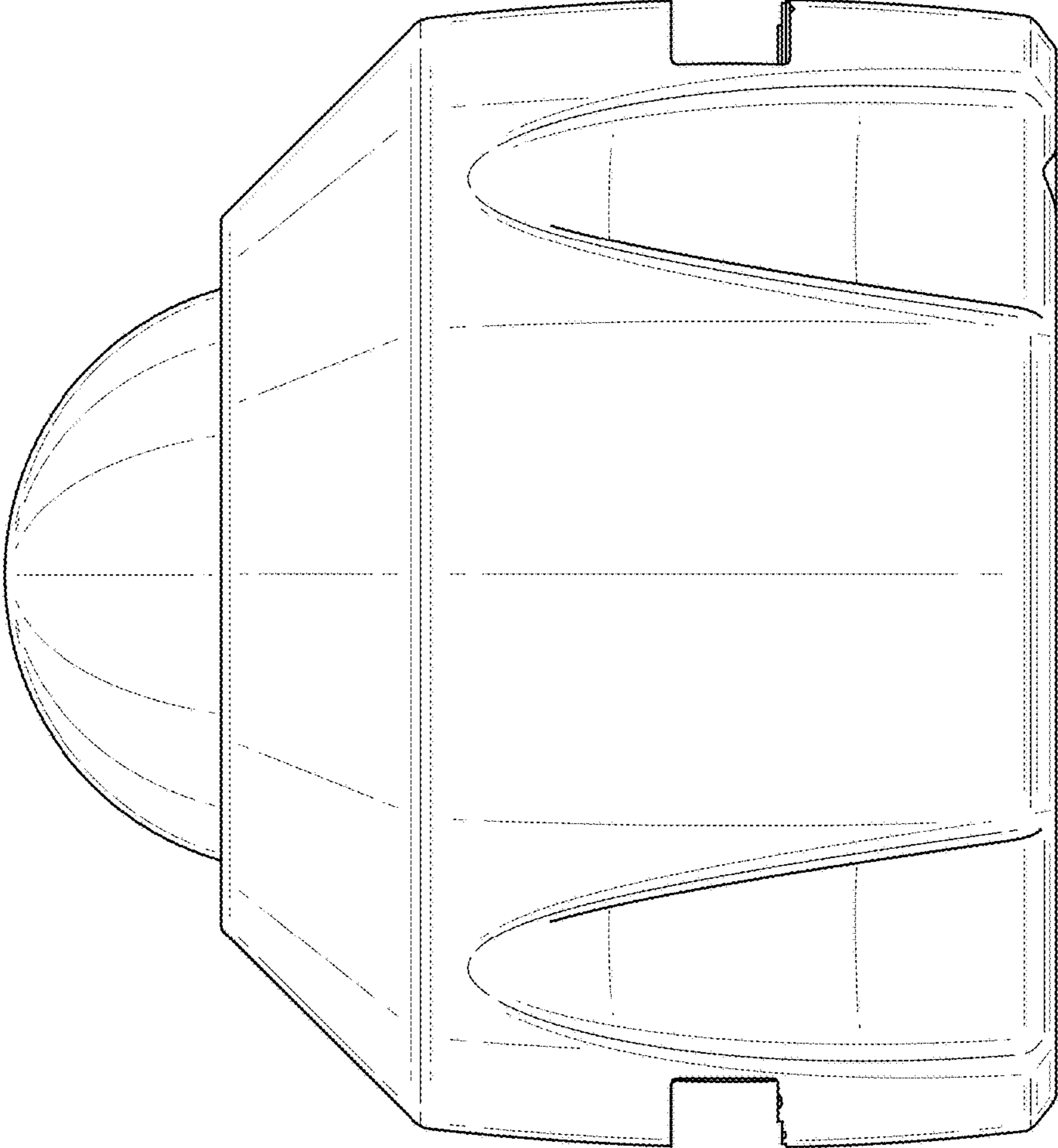


FIG. 13

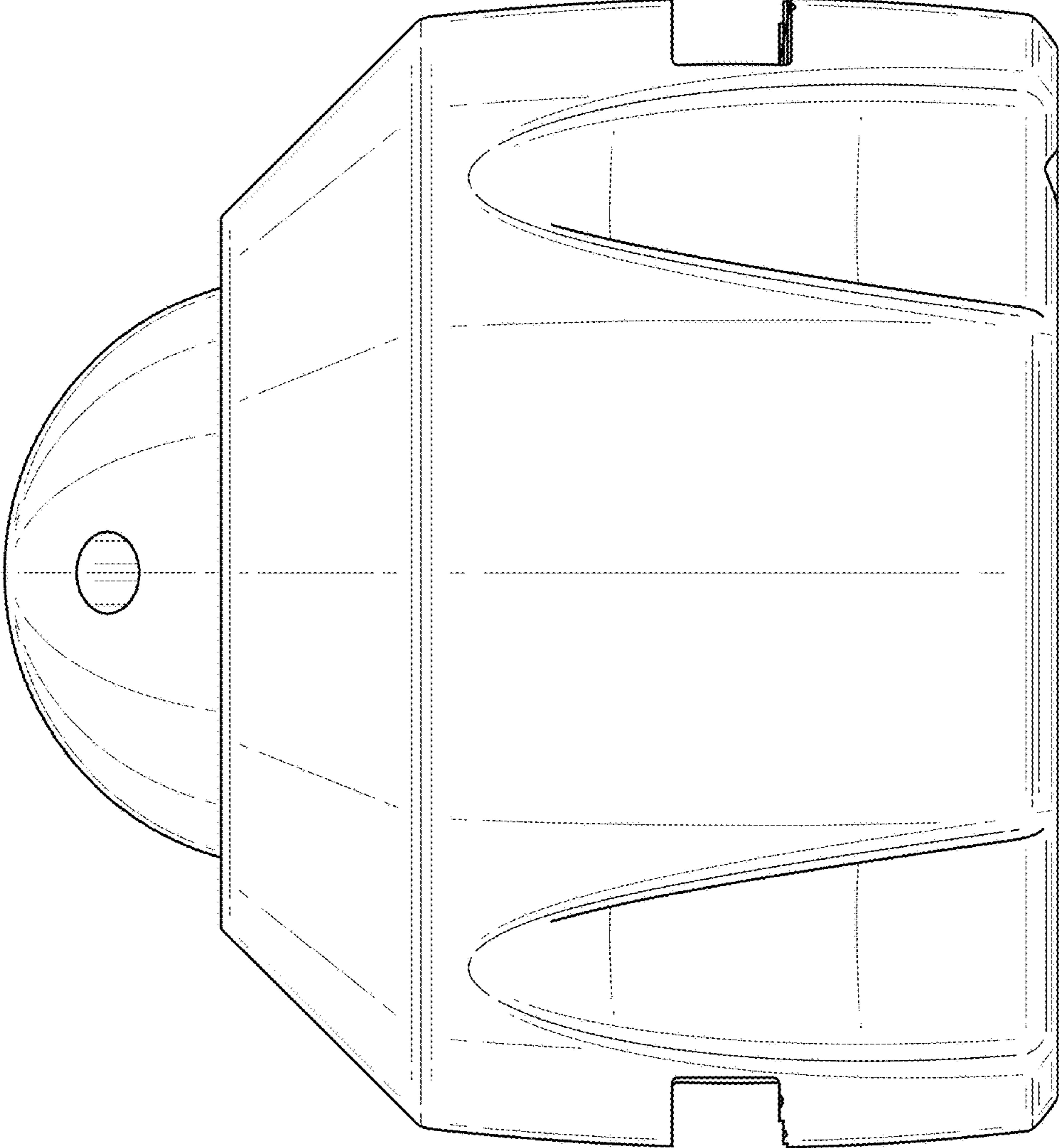


FIG. 14

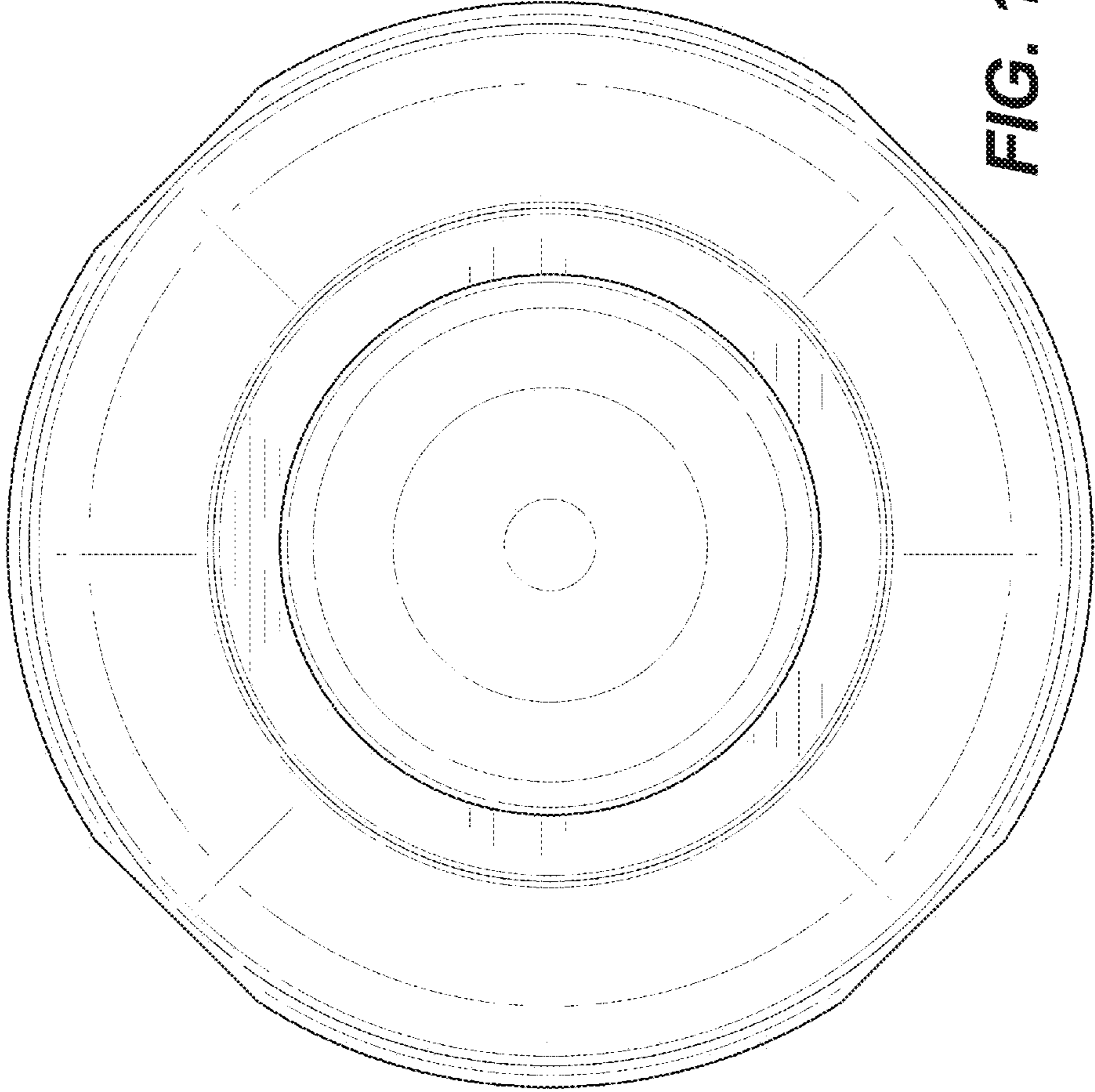


FIG. 15

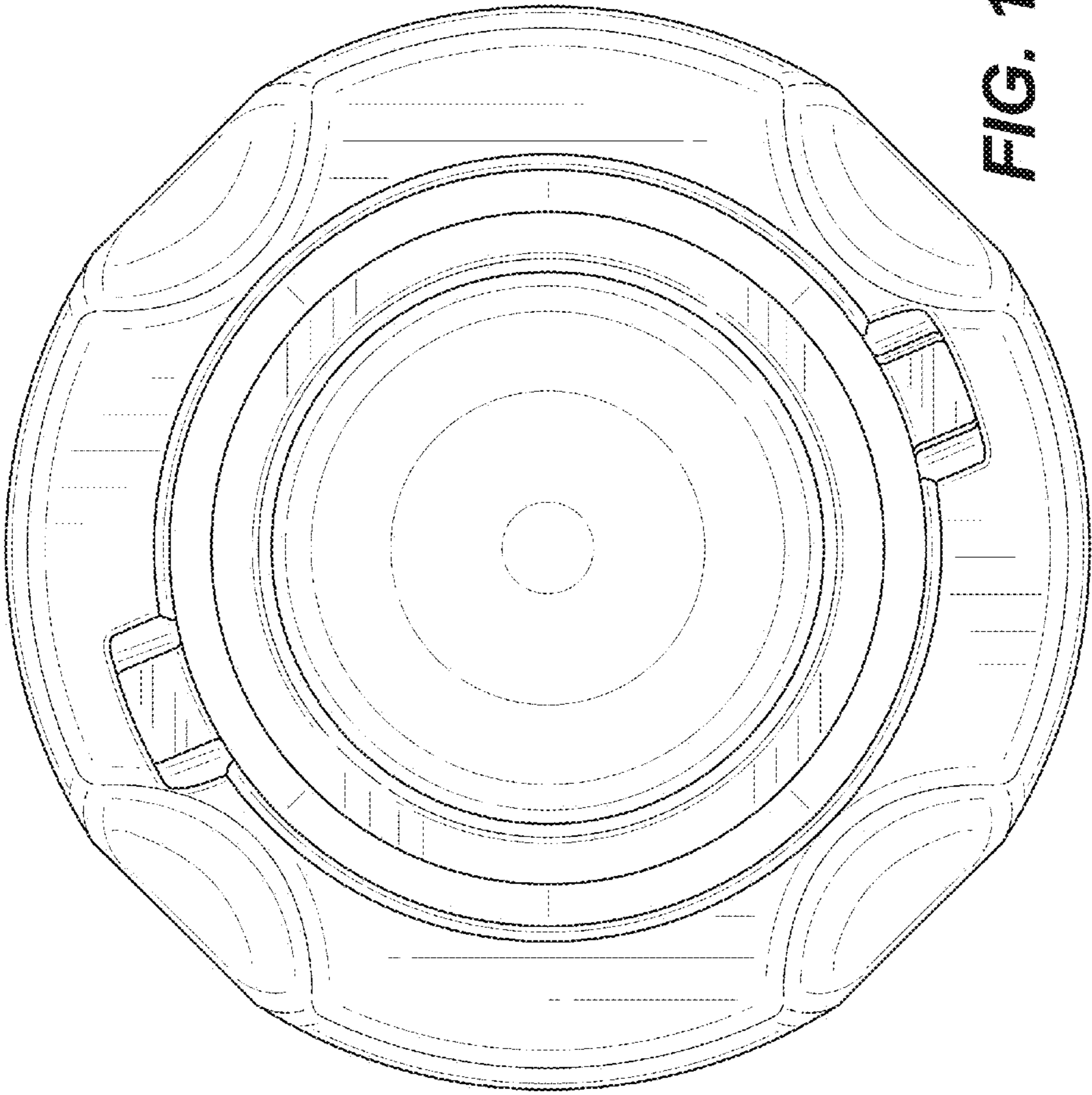


FIG. 16