



US00D851240S

(12) **United States Design Patent** (10) **Patent No.:** **US D851,240 S**  
**Baid** (45) **Date of Patent:** **\*\* Jun. 11, 2019**

(54) **DISPENSING PORT**  
(71) Applicant: **Poly Medicure Limited**, Faridabad (IN)  
(72) Inventor: **Rishi Baid**, New Delhi (IN)  
(73) Assignee: **Poly Medicure Limited**, Faridabad (IN)  
(\*\*) Term: **15 Years**  
(21) Appl. No.: **29/627,953**  
(22) Filed: **Nov. 30, 2017**

(30) **Foreign Application Priority Data**  
Feb. 2, 2017 (IN) ..... 201711003942  
(51) **LOC (11) Cl.** ..... **24-02**  
(52) **U.S. Cl.**  
USPC ..... **D24/112**  
(58) **Field of Classification Search**  
USPC ..... D24/112–114, 108, 130, 127, 133, 186;  
606/181, 185; 604/264, 523–528, 272,  
604/164.01–164.11, 187, 93.01; 600/101,  
600/139, 143; 128/200.24, 207.14,  
128/207.15  
CPC ..... A61M 25/00; A61M 39/00; A61M 27/00;  
A61M 25/0043; A61M 25/0067; A61M  
25/0097; A61F 2/958  
See application file for complete search history.

(56) **References Cited**  
U.S. PATENT DOCUMENTS  
D335,535 S \* 5/1993 Arioka ..... D24/112  
D373,827 S \* 9/1996 Polaniec ..... D24/112  
5,569,294 A \* 10/1996 Parkola ..... A61M 25/00  
604/103.05

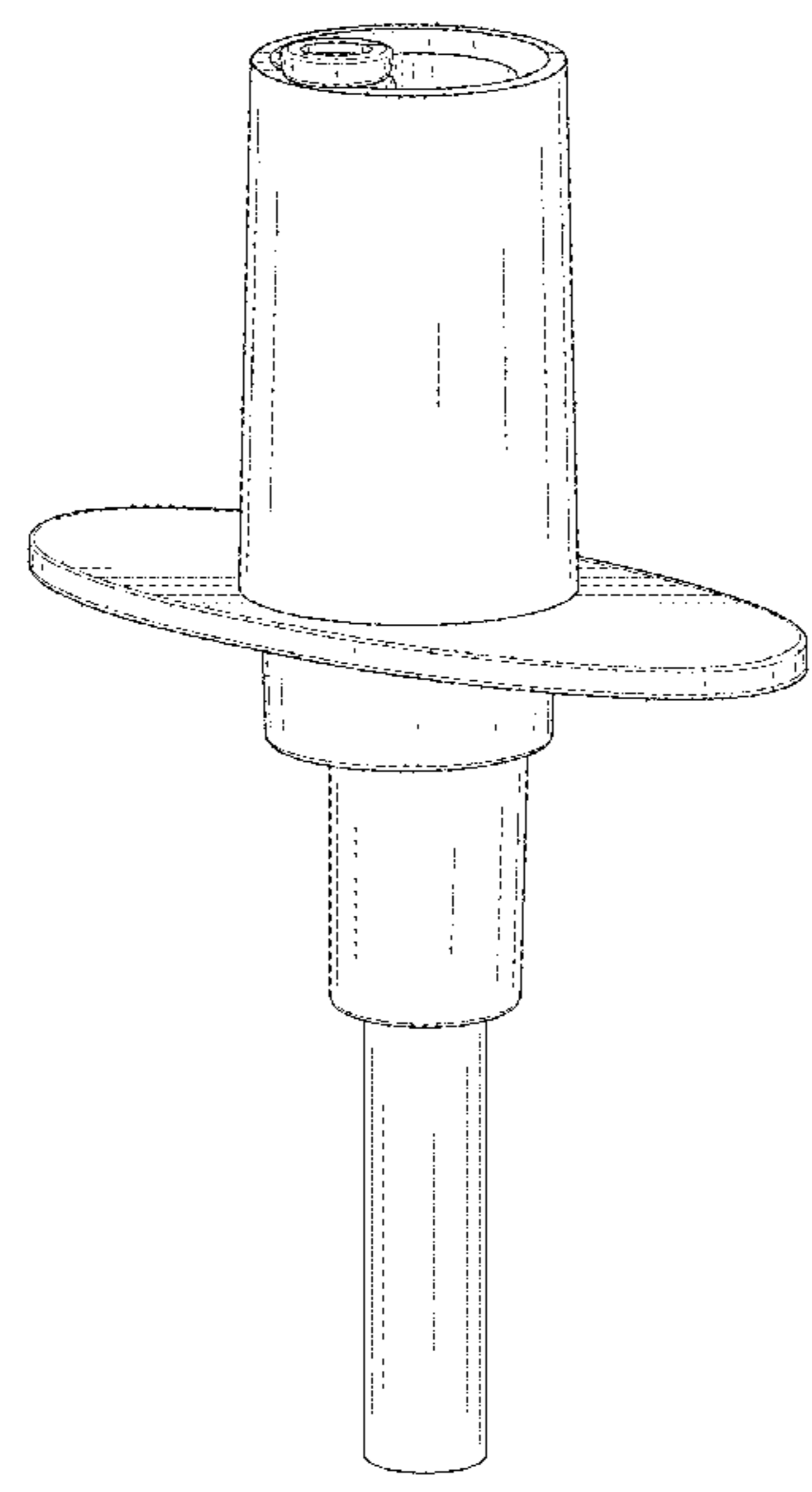
5,947,120 A \* 9/1999 Bailey ..... A61M 16/0463  
128/200.24  
D448,843 S \* 10/2001 Madsen ..... D24/112  
D471,272 S \* 3/2003 Douglas ..... D24/108  
D616,985 S \* 6/2010 Ade ..... D24/130  
D679,818 S \* 4/2013 Prpa ..... D24/186  
D709,187 S \* 7/2014 Li ..... A61M 39/00  
D24/129  
D724,199 S \* 3/2015 Bambot ..... D24/112  
D739,933 S \* 9/2015 Ettlin ..... D24/114  
D804,651 S \* 12/2017 Loonan ..... D24/114  
D823,460 S \* 7/2018 Raghuvveer ..... D24/114

\* cited by examiner  
*Primary Examiner* — David G Muller  
(74) *Attorney, Agent, or Firm* — IP Attorneys Group, LLC

(57) **CLAIM**  
The ornamental design for a dispensing port, as shown and described.

**DESCRIPTION**  
FIG. 1 is a perspective view of a dispensing port in accordance with my new design;  
FIG. 2 is a bottom perspective view thereof;  
FIG. 3 is a front view thereof;  
FIG. 4 is a back view thereof;  
FIG. 5 is a right thereof;  
FIG. 6 is a left view thereof;  
FIG. 7 is a top view thereof; and,  
FIG. 8 is a bottom view thereof.  
The broken line showing of parts of the drawings is included for the purpose of illustrating use and environment and forms no part of the claimed design.

**1 Claim, 7 Drawing Sheets**



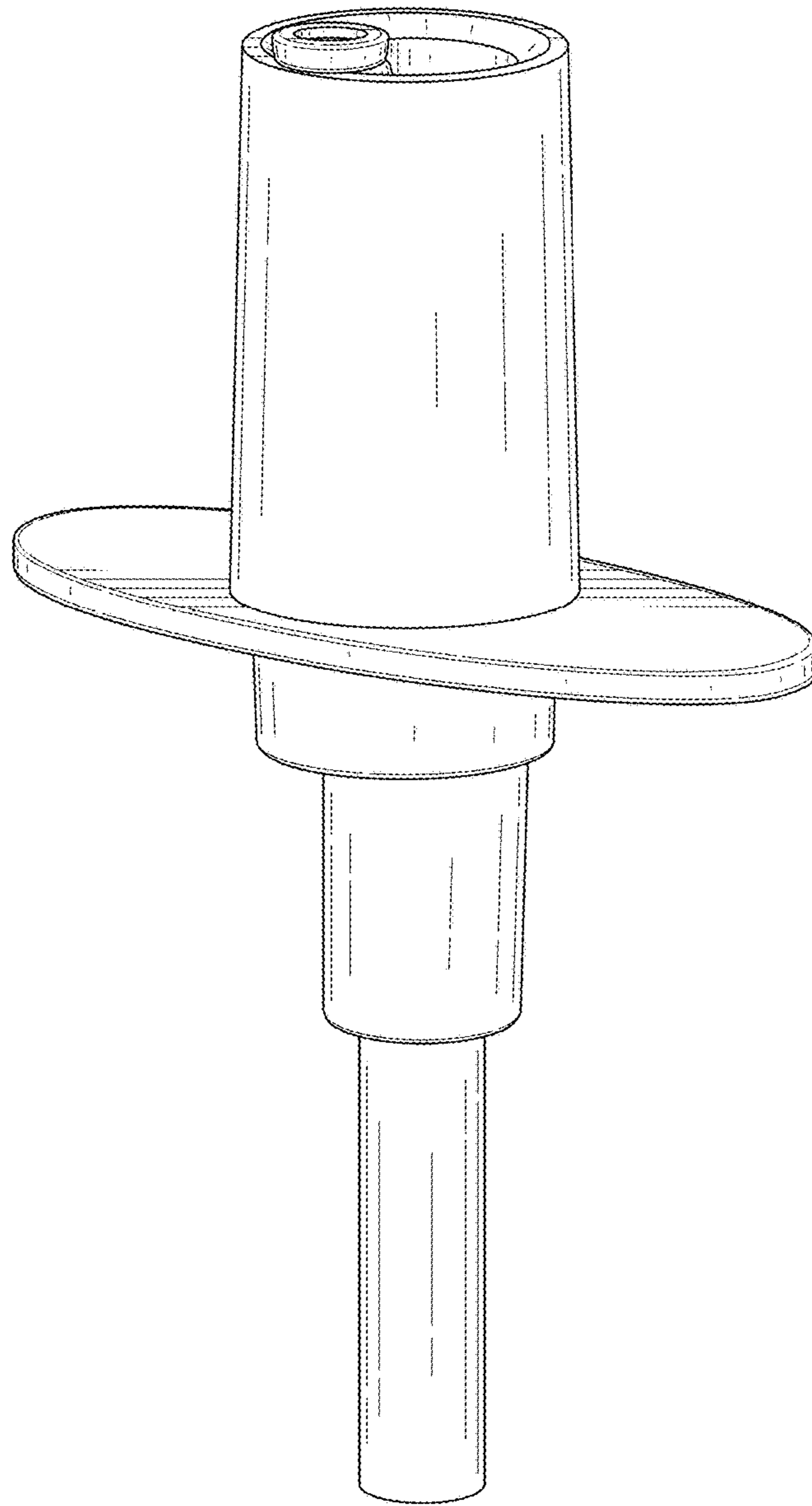


FIG. 1

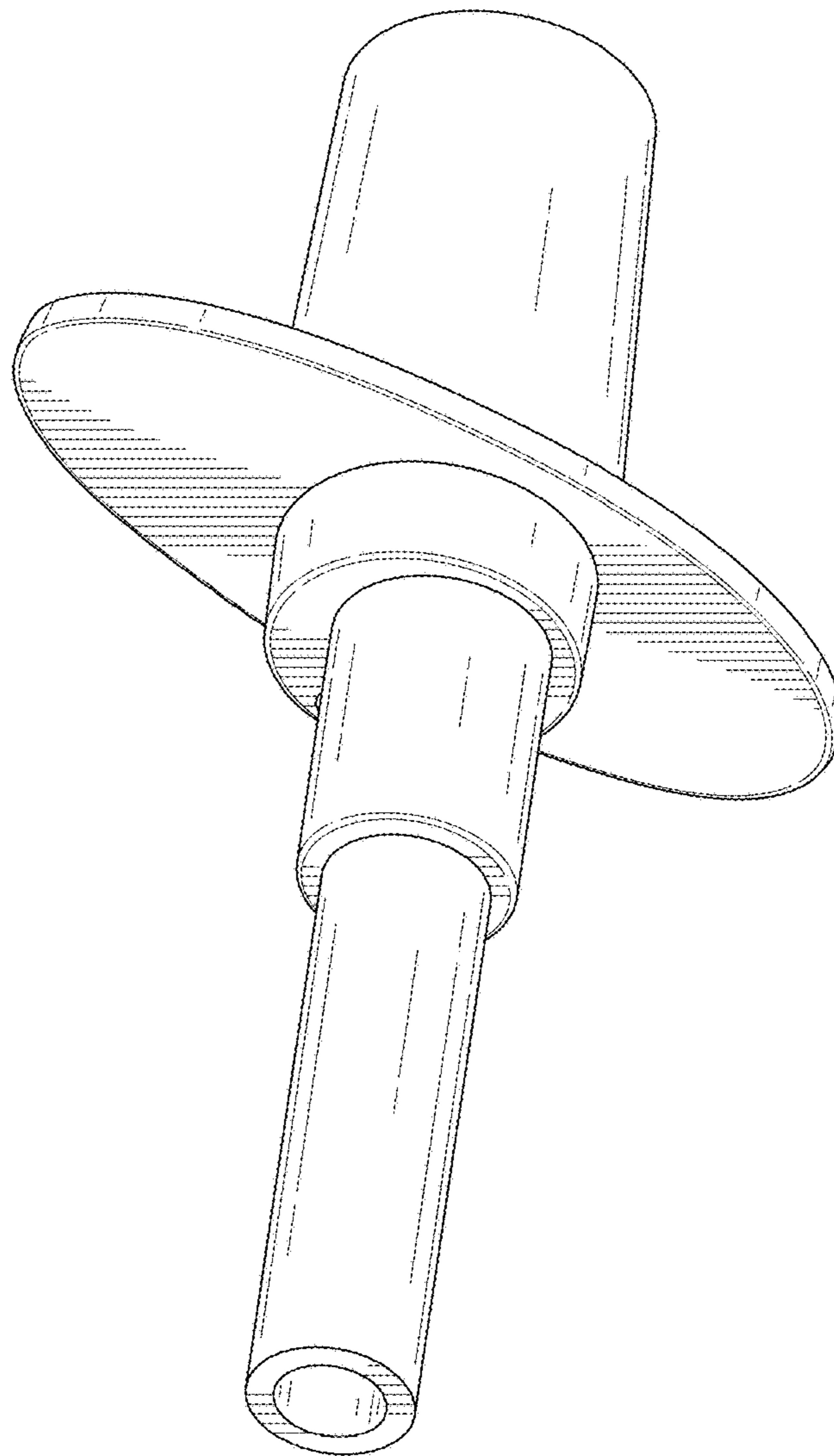


FIG. 2

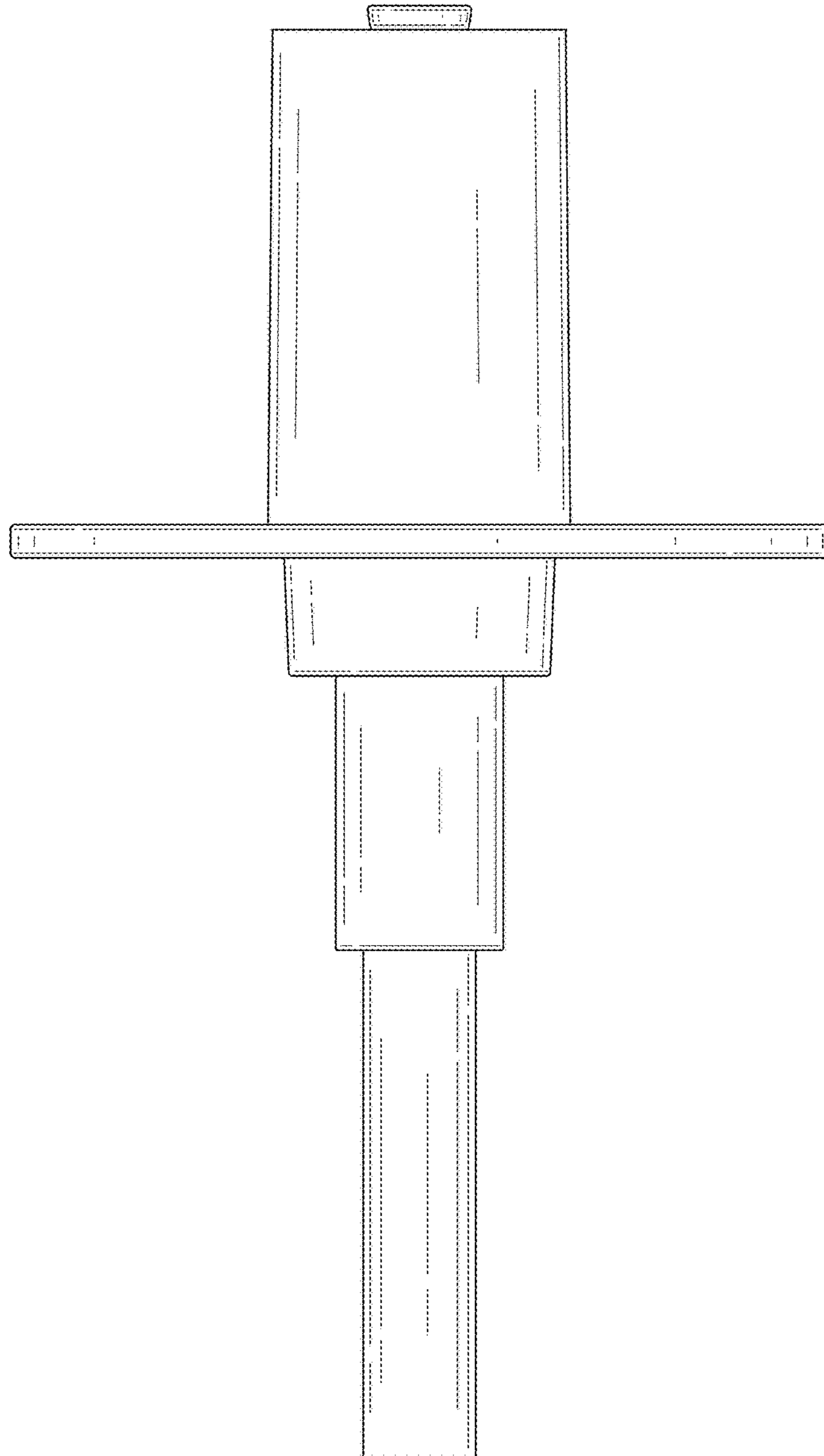


FIG. 3

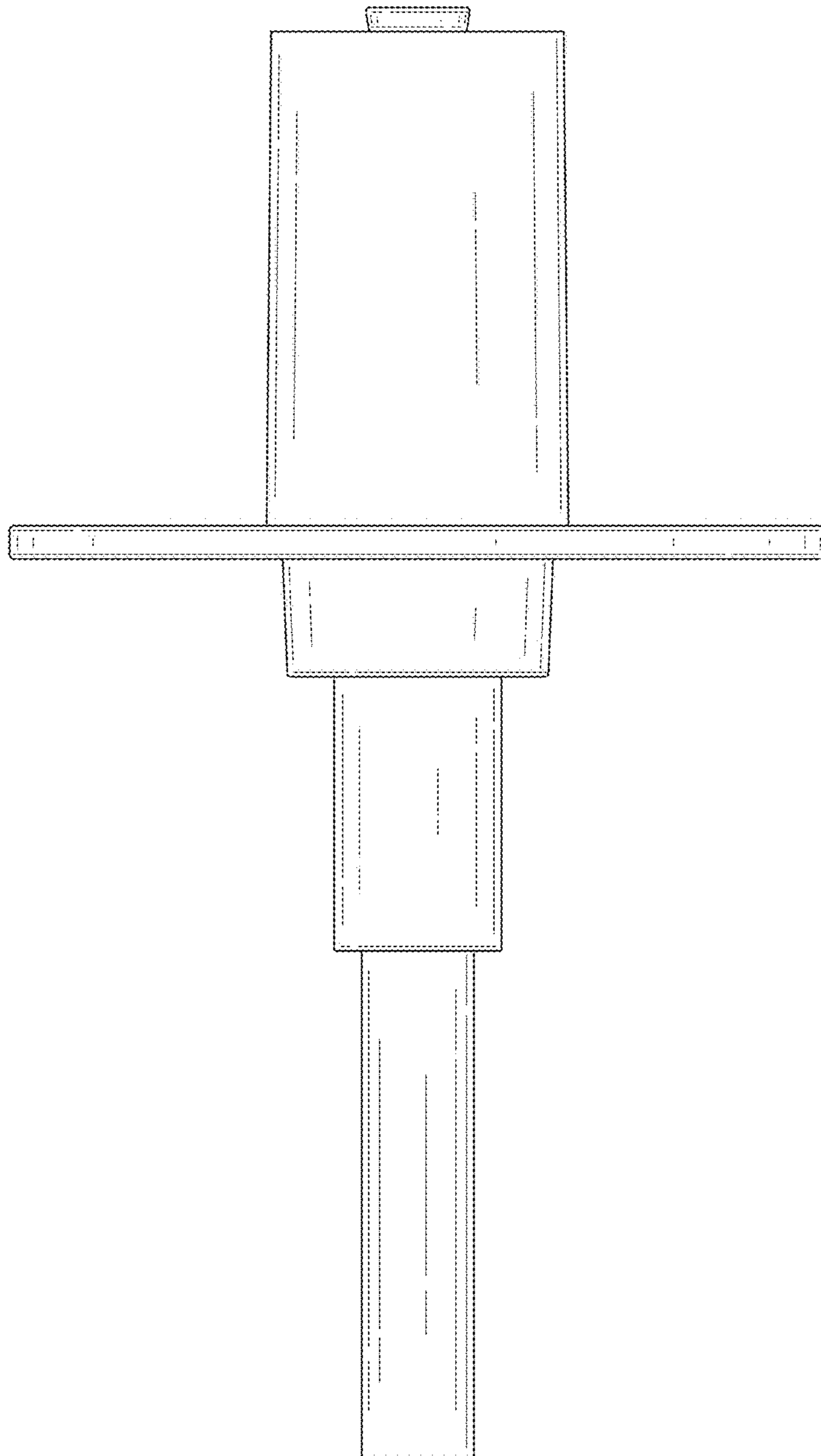


FIG. 4

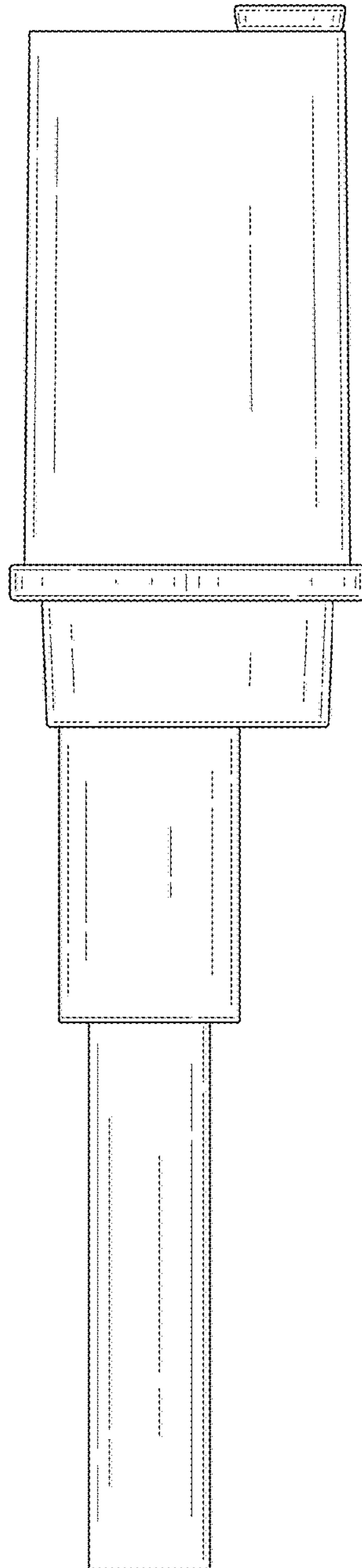


FIG. 5

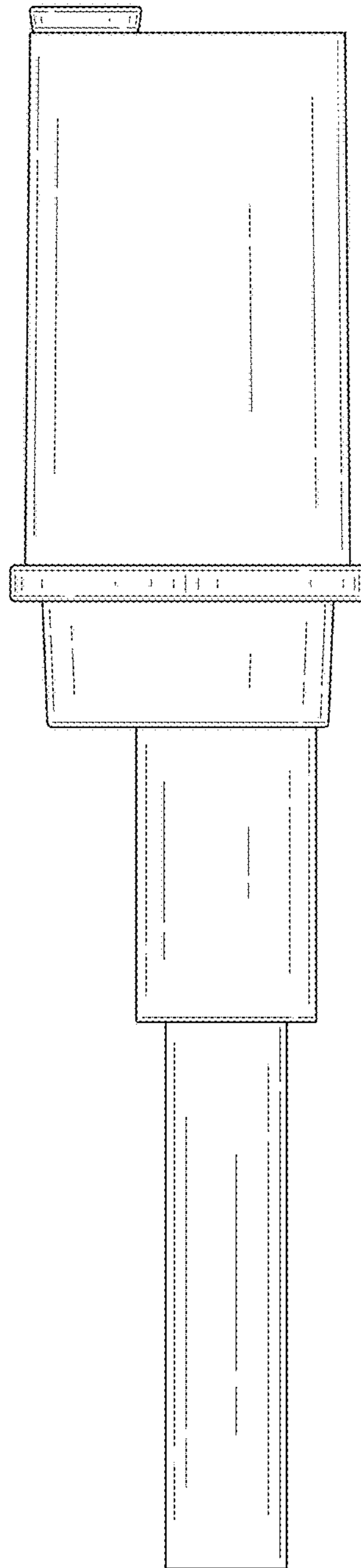


FIG. 6

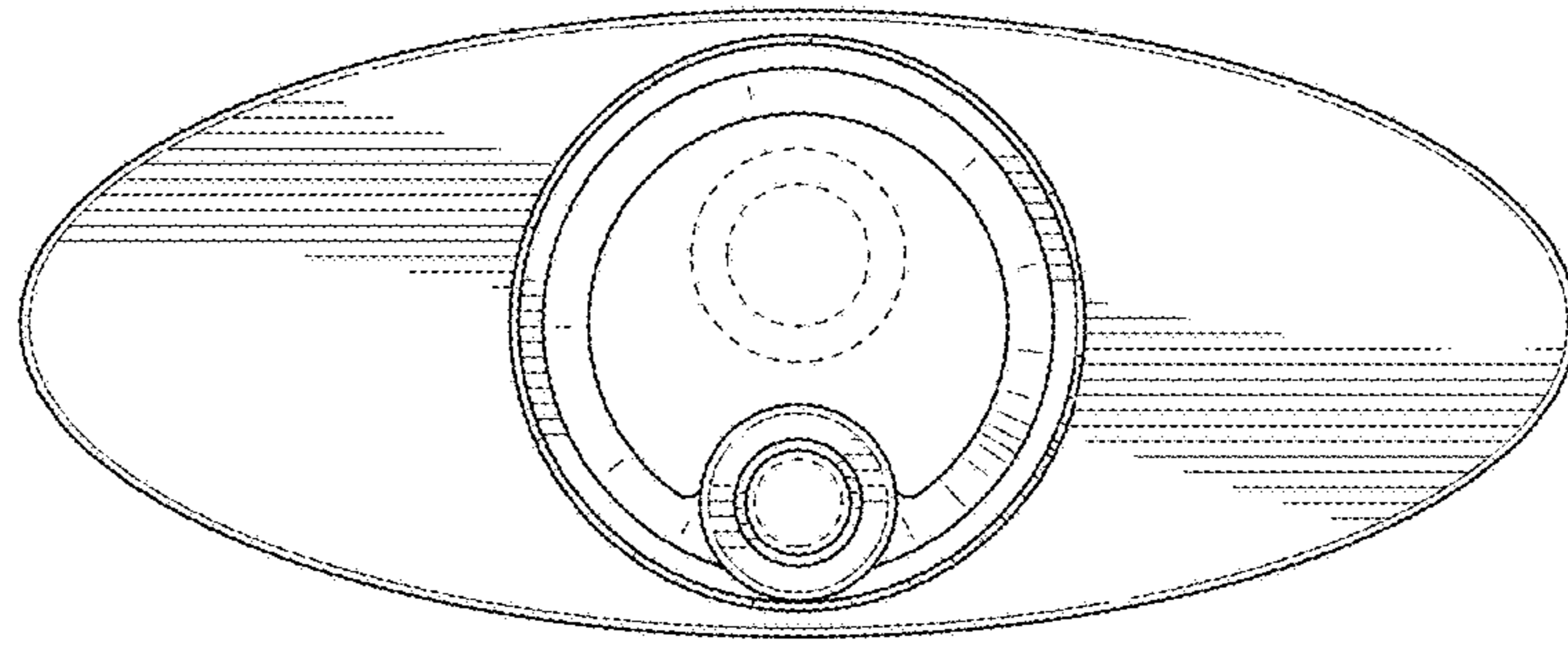


FIG. 7

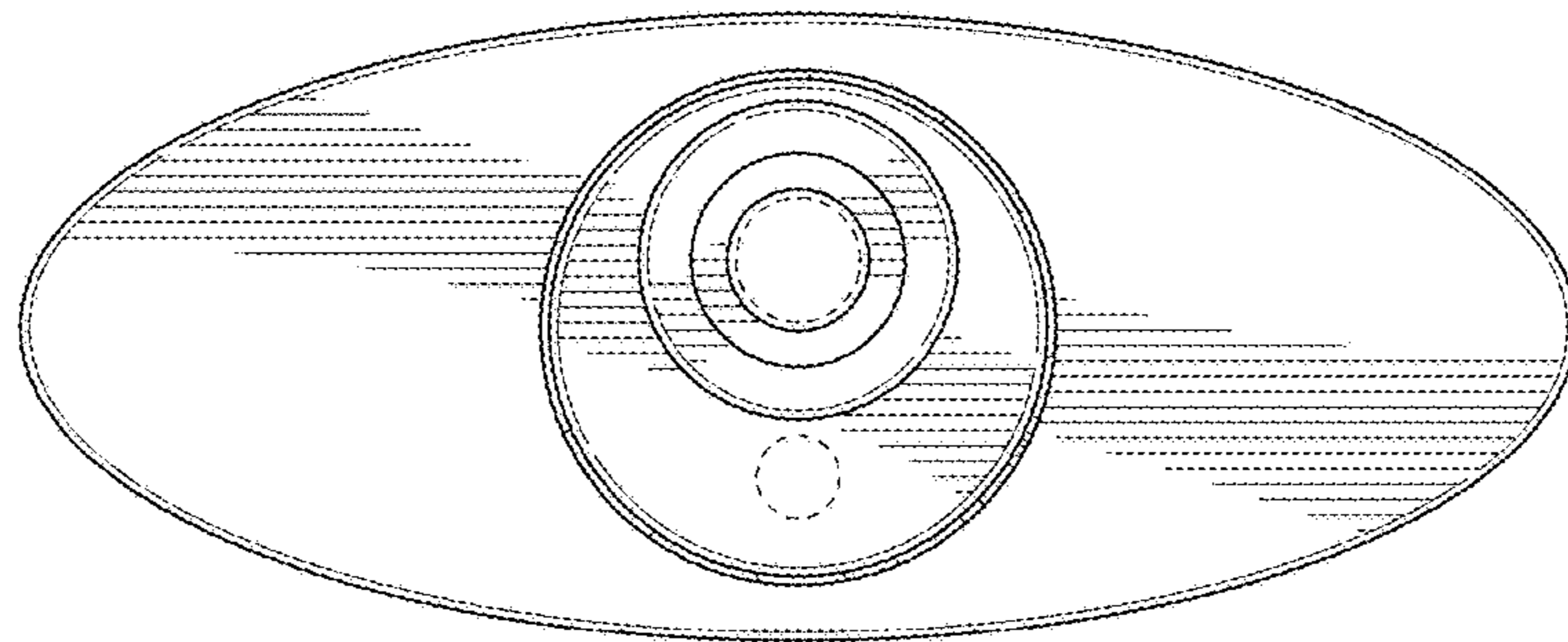


FIG. 8