



US00D851237S

(12) **United States Design Patent**  
**Ward et al.**

(10) **Patent No.:** **US D851,237 S**  
(45) **Date of Patent:** **\*\* Jun. 11, 2019**

(54) **WATERTIGHT SIDEWALL DUSTCOVER**

(71) Applicant: **Systems Spray-Cooled, Inc**, Smyrna, TN (US)

(72) Inventors: **Troy D. Ward**, Franklin, TN (US);  
**Scott A. Ferguson**, Murfreesboro, TN (US)

(73) Assignee: **Systems Spray-Cooled, Inc**, Smyrna, TN (US)

(\*\*) Term: **15 Years**

(21) Appl. No.: **29/624,506**

(22) Filed: **Nov. 1, 2017**

(51) **LOC (11) Cl.** ..... **23-99**

(52) **U.S. Cl.**  
USPC ..... **D23/418**

(58) **Field of Classification Search**  
USPC ..... D23/314, 322, 323, 329, 341, 347, 402, D23/403, 407, 409, 410, 415, 416, 417, D23/418; D13/182; D15/138  
CPC . F23D 14/78; F23C 5/02; F23M 5/025; F27B 3/205; C21C 5/5217; F27D 99/0033  
See application file for complete search history.

(56) **References Cited**

**U.S. PATENT DOCUMENTS**

1,702,977	A *	2/1929	Mott, Jr. et al. ....	F23M 5/00 126/144
D404,369	S *	1/1999	Kawachi .....	D13/182
D776,798	S *	1/2017	Winkler .....	D23/332
D804,436	S *	12/2017	Tauchi .....	D13/182
D826,300	S *	8/2018	Michla .....	D15/144
2005/0175945	A1 *	8/2005	Chung .....	F23C 6/047 431/116
2006/0207258	A1 *	9/2006	Tanner .....	F23C 5/02 60/748

2007/0292811	A1 *	12/2007	Poe .....	F23D 14/08 431/116
2016/0018105	A1 *	1/2016	Martin .....	F23D 14/08 431/8
2016/0123664	A1 *	5/2016	Tomita .....	F27B 3/205 75/10.34
2017/0009981	A1 *	1/2017	Shaw .....	F23C 5/02
2017/0067640	A1 *	3/2017	Savary .....	F23R 3/002
2018/0209641	A1 *	7/2018	Garossino .....	F23D 14/24

\* cited by examiner

*Primary Examiner* — T Chase Nelson

*Assistant Examiner* — Ania Aman

(74) *Attorney, Agent, or Firm* — Patterson + Sheridan, LLP

(57) **CLAIM**

The ornamental design for a watertight sidewall dustcover, as shown and described.

**DESCRIPTION**

FIG. 1 is a top perspective view of a watertight sidewall dustcover showing our new design.

FIG. 2 is a first side plan view thereof, the second side plan view being the same.

FIG. 3 is a rear side plan view thereof.

FIG. 4 is a front side plan view thereof.

FIG. 5 is a top side plan view thereof.

FIG. 6 is a cross-section view thereof taken section line 6-6 as shown in FIG. 5.

FIG. 7 is an enlarged detail view thereof taken from a detail boundary identified as FIG. 7 in FIG. 2; and,

FIG. 8 is an enlarged detail view thereof taken from a detail boundary identified as FIG. 8 in FIG. 1.

The broken lines in the figures depict the bounds of the claimed design and unclaimed subject matter, which forms no part of the claimed design.

All surfaces not shown form no part of the claimed design.

**1 Claim, 8 Drawing Sheets**

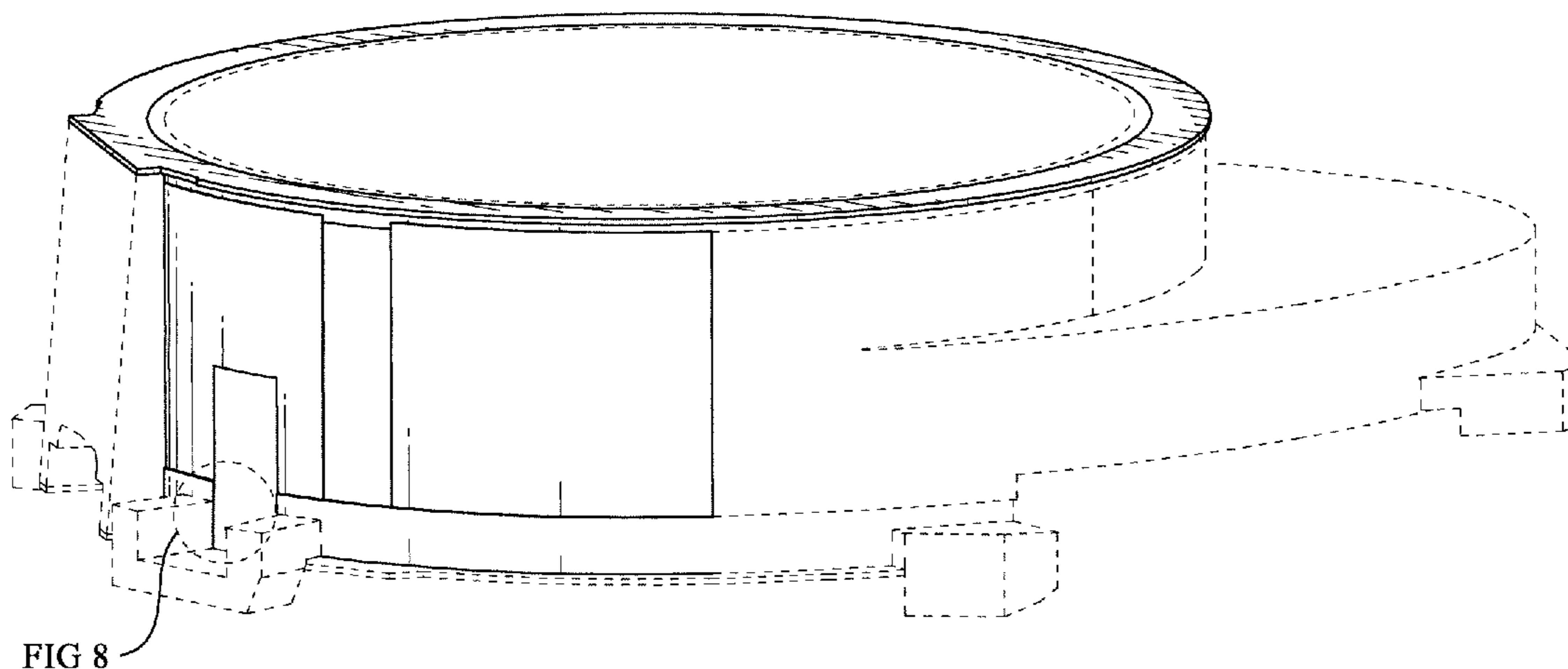


FIG. 1

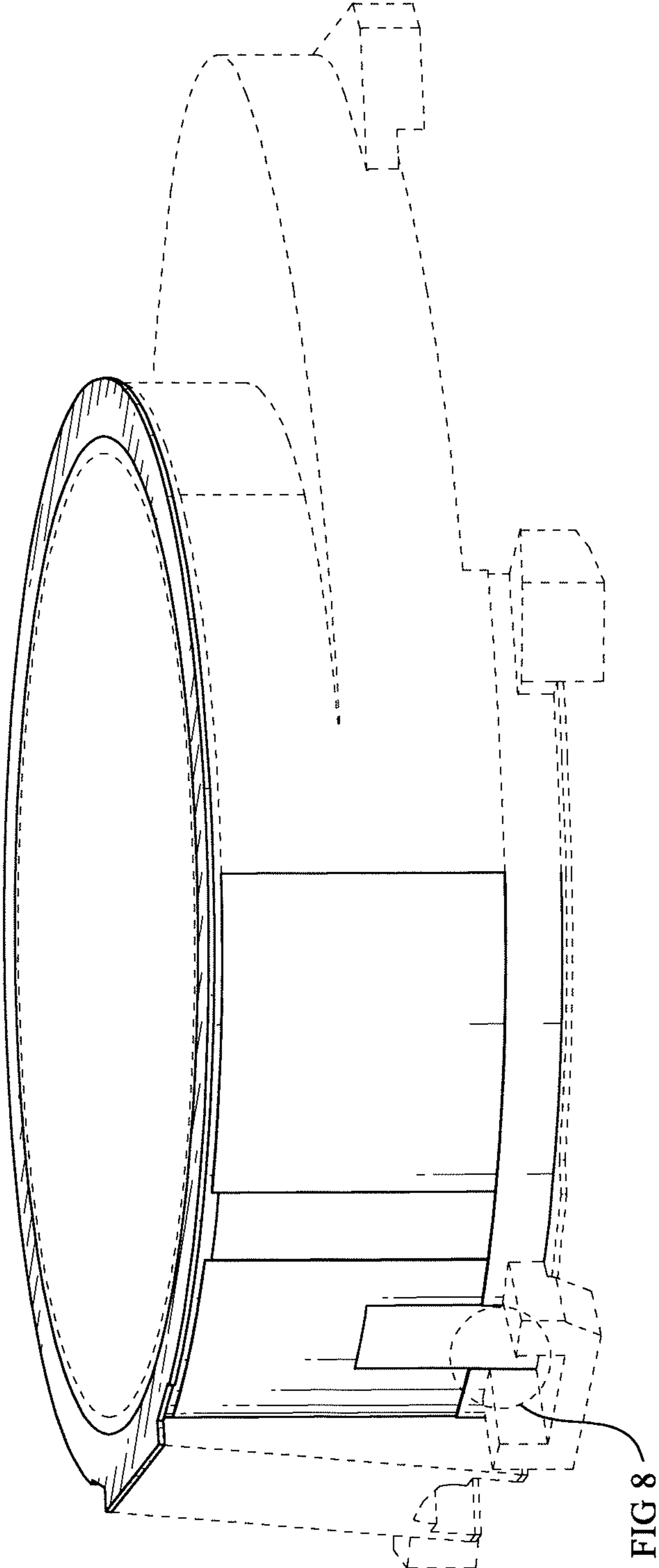


FIG. 2

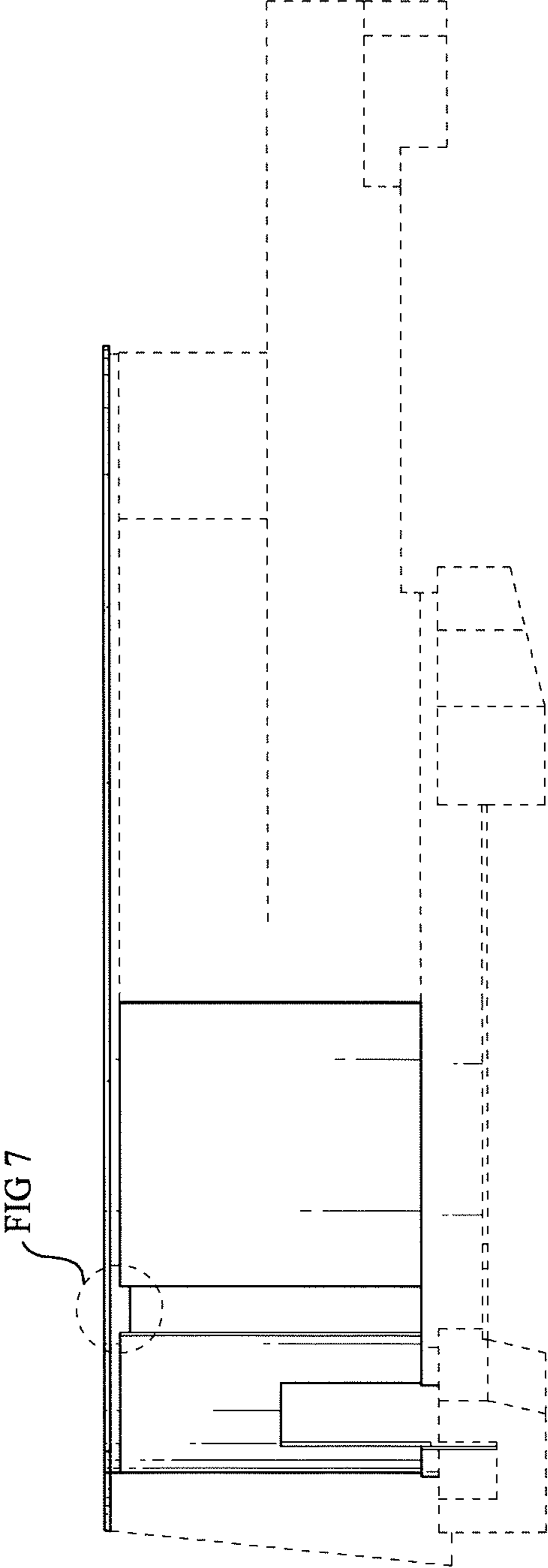


FIG. 3

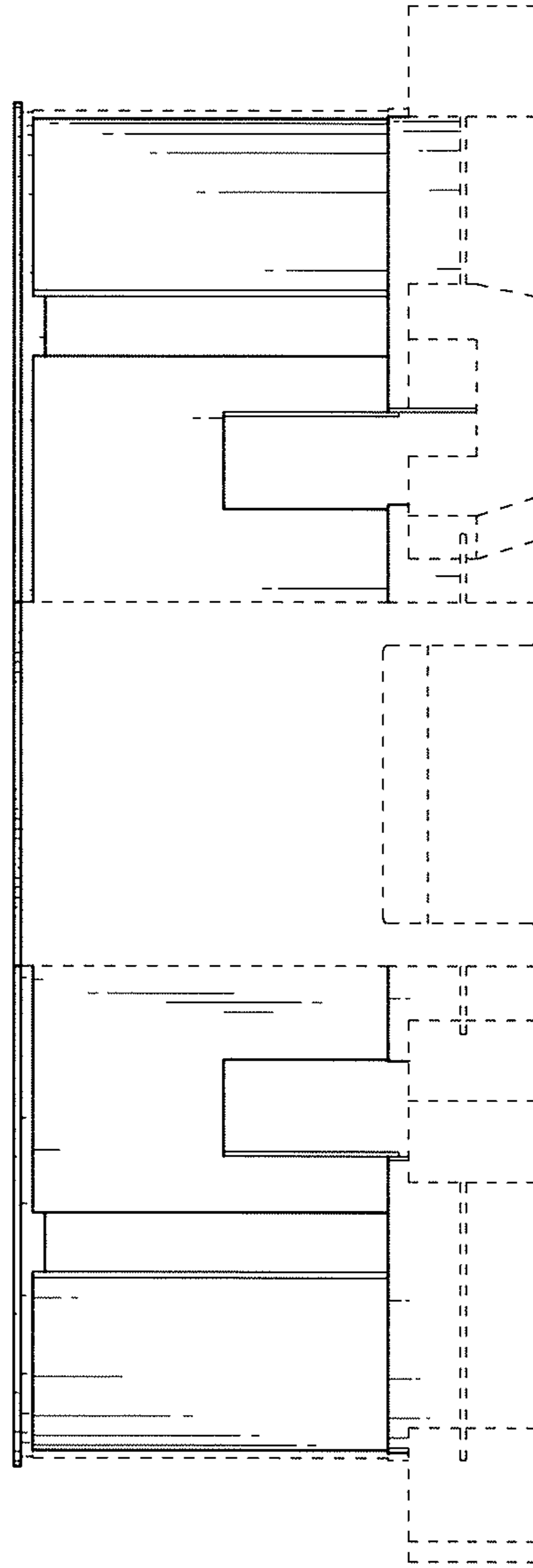


FIG. 4

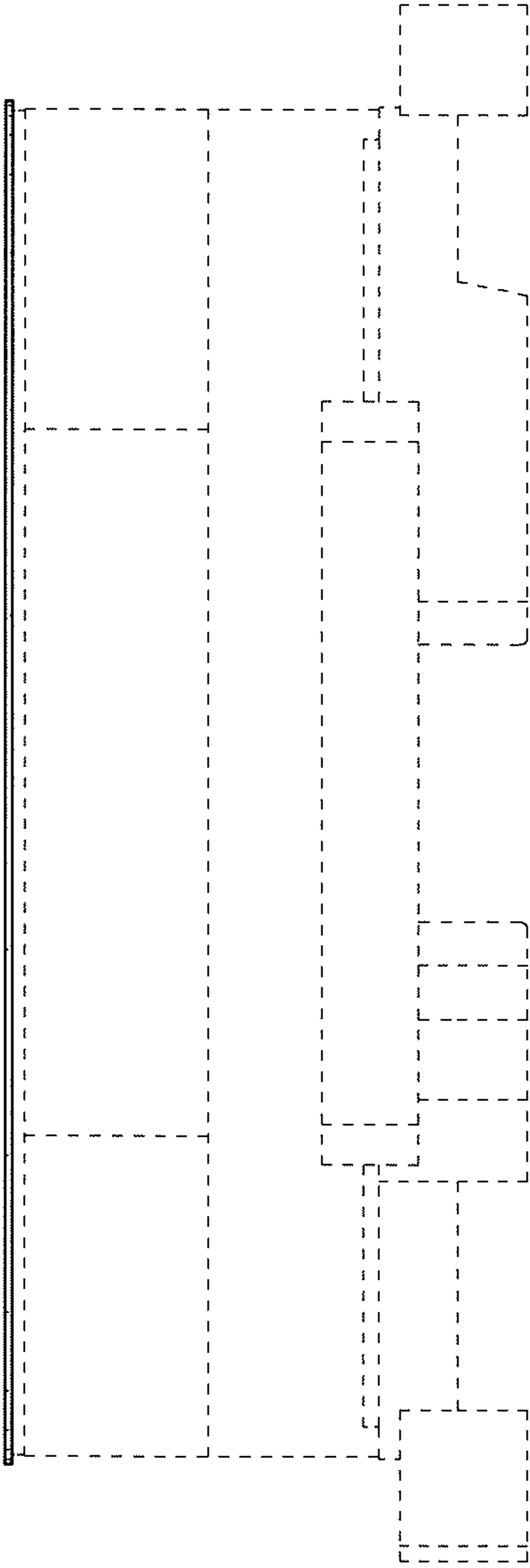


FIG. 5

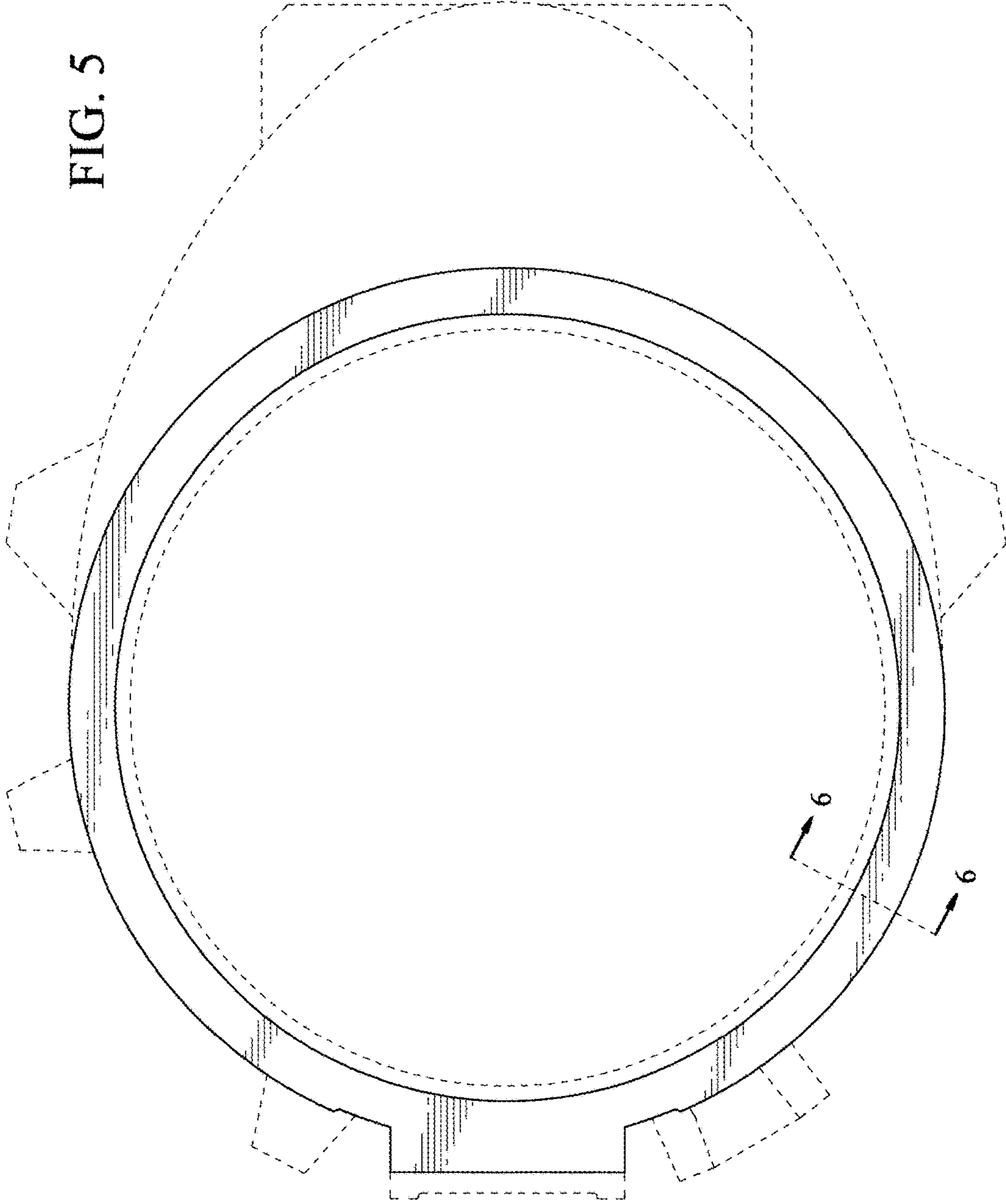


FIG. 6

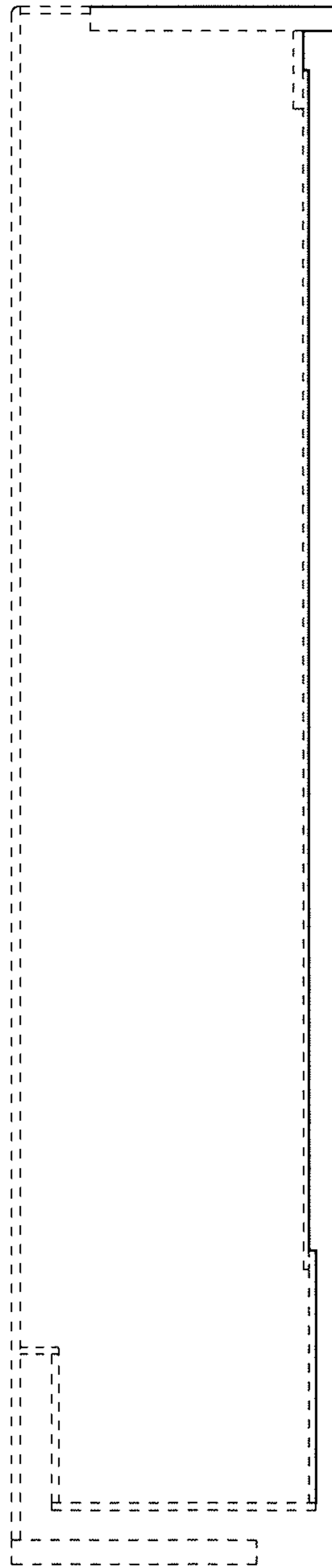


FIG. 7

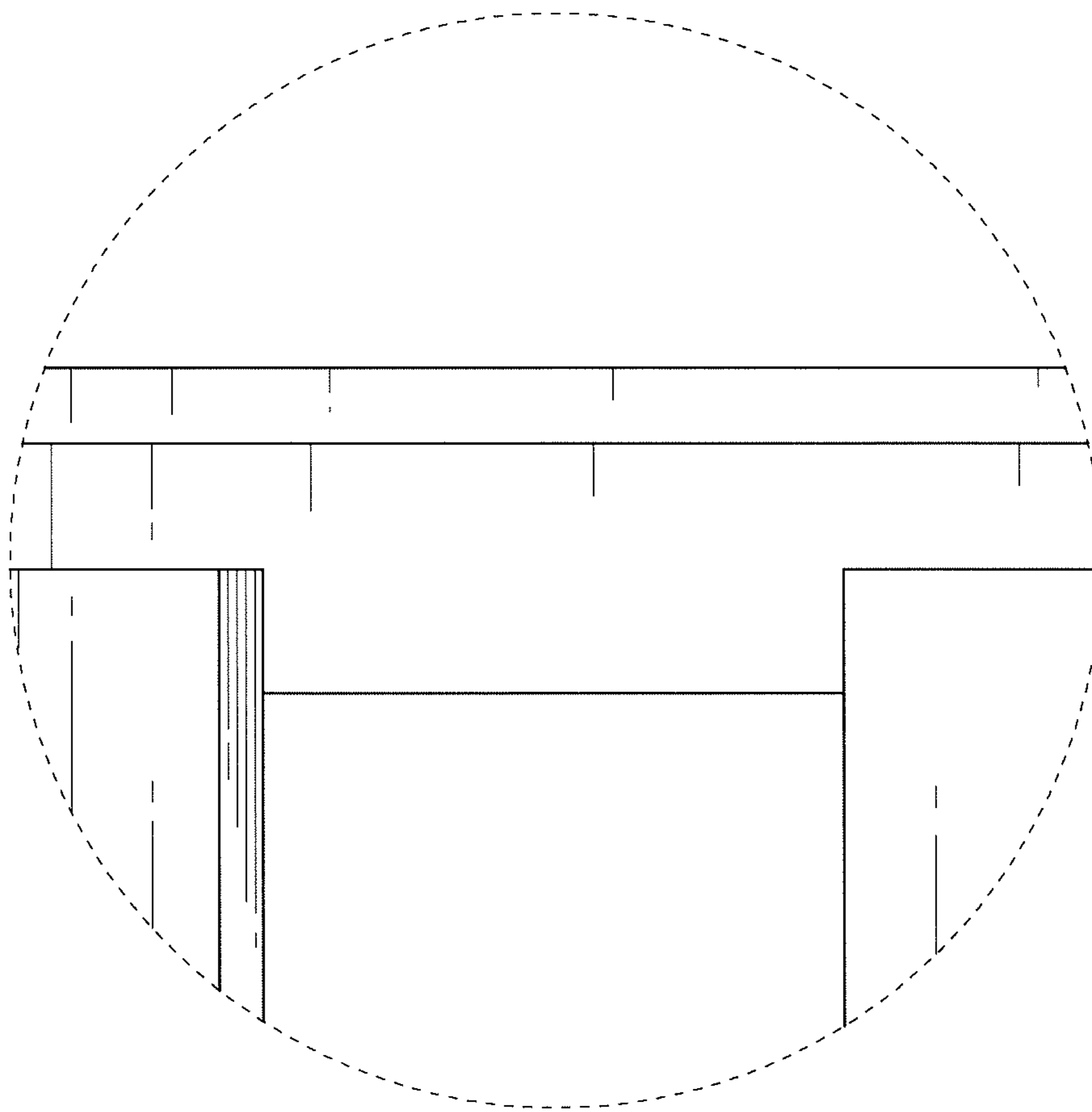




FIG. 8

