



US00D851236S

(12) **United States Design Patent**  
**Gajewski**

(10) **Patent No.:** **US D851,236 S**

(45) **Date of Patent:** **\*\* Jun. 11, 2019**

(54) **CEILING FAN**

(71) Applicant: **Minka Lighting, Inc.**, Corona, CA (US)  
(72) Inventor: **Mark Gajewski**, Henderson, NV (US)  
(73) Assignee: **Minka Lighting, Inc.**, Corona, CA (US)

(\*\*) Term: **15 Years**

(21) Appl. No.: **29/634,497**

(22) Filed: **Jan. 22, 2018**

**Related U.S. Application Data**

(63) Continuation of application No. 29/586,730, filed on Dec. 6, 2016, now Pat. No. Des. 808,509.

(51) **LOC (11) Cl.** ..... **23-03**

(52) **U.S. Cl.**  
USPC ..... **D23/411; D23/370**

(58) **Field of Classification Search**  
USPC ..... D23/370-385, 411-414; D26/51, 59, 72, D26/80-84, 88-90; D12/214  
CPC ..... F04D 25/088; F21V 33/0096  
See application file for complete search history.

(56) **References Cited**

**U.S. PATENT DOCUMENTS**

D102,701 S \* 1/1937 Preston ..... D23/379  
D104,259 S \* 4/1937 Heller ..... D23/382  
D105,288 S \* 7/1937 Levy ..... D26/63  
4,555,233 A \* 11/1985 Klammer ..... B63H 20/007  
440/53  
D283,156 S \* 3/1986 Mandelli ..... D12/214  
D321,165 S \* 10/1991 Habe ..... D12/214  
5,078,632 A \* 1/1992 Ogawa ..... B63H 20/245  
416/201 R

(Continued)

**FOREIGN PATENT DOCUMENTS**

AU 201614007 S 7/2016  
EM 003312974-0001 S 8/2016

**OTHER PUBLICATIONS**

Minka Aire F304L-BN/SL Gyro—42" Cage Free Ceiling Fan with Light Kit, first available Mar. 31, 2016, site visited Mar. 16, 2017, Copyright © 1996-2017, <[https://www.amazon.com/Minka-Aire-F304L-BN-SL-Gyro/dp/B01DONJRFS/ref=sr\\_1\\_1?ie=UTF8&qid=1489667349&sr=8-1-spons&keywords=minka+cage+free+gyro&psc=1](https://www.amazon.com/Minka-Aire-F304L-BN-SL-Gyro/dp/B01DONJRFS/ref=sr_1_1?ie=UTF8&qid=1489667349&sr=8-1-spons&keywords=minka+cage+free+gyro&psc=1)>.\*

(Continued)

*Primary Examiner* — Cathron C Brooks

*Assistant Examiner* — Sharon S Oum

(74) *Attorney, Agent, or Firm* — Seyfarth Shaw LLP

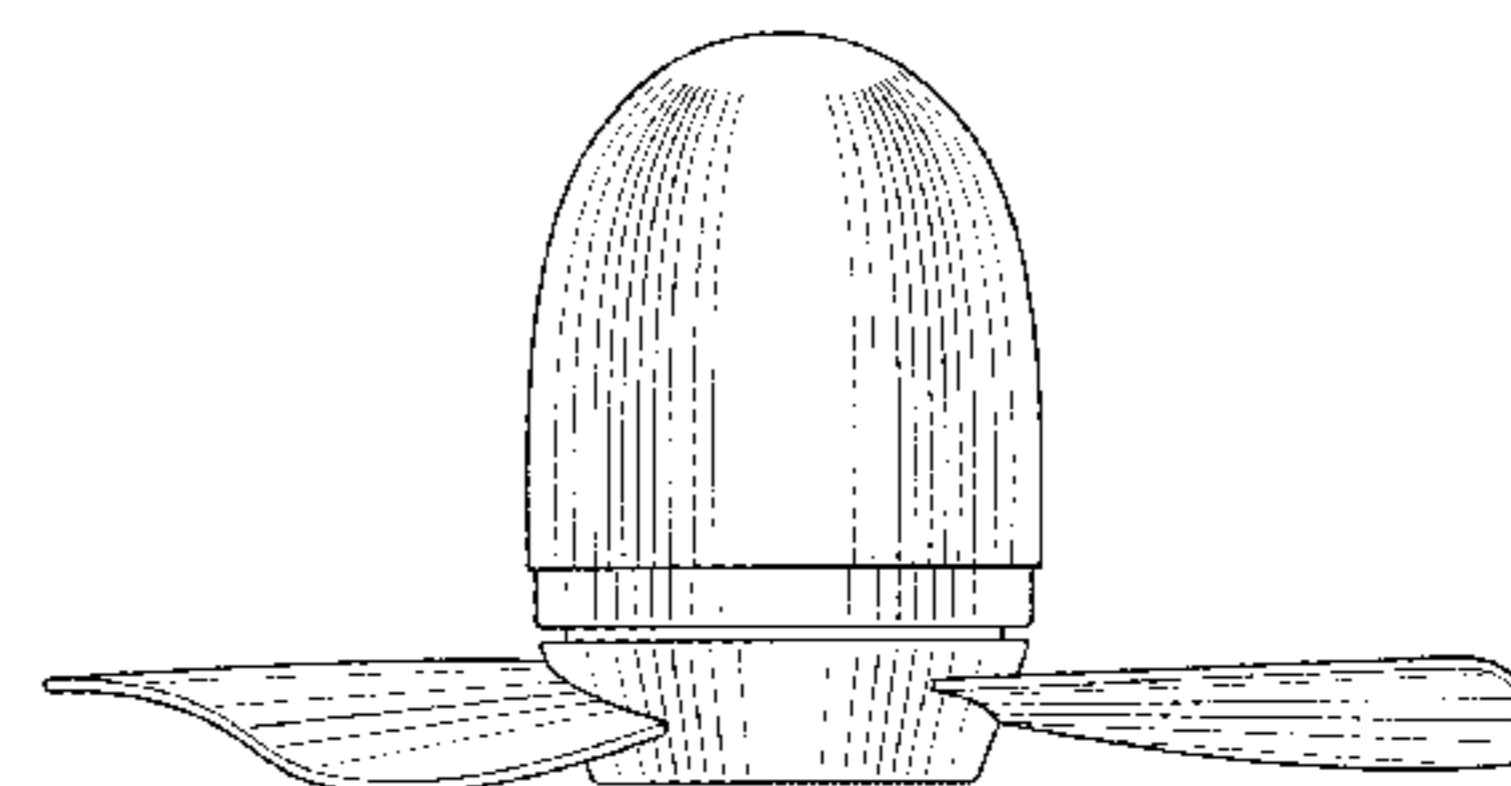
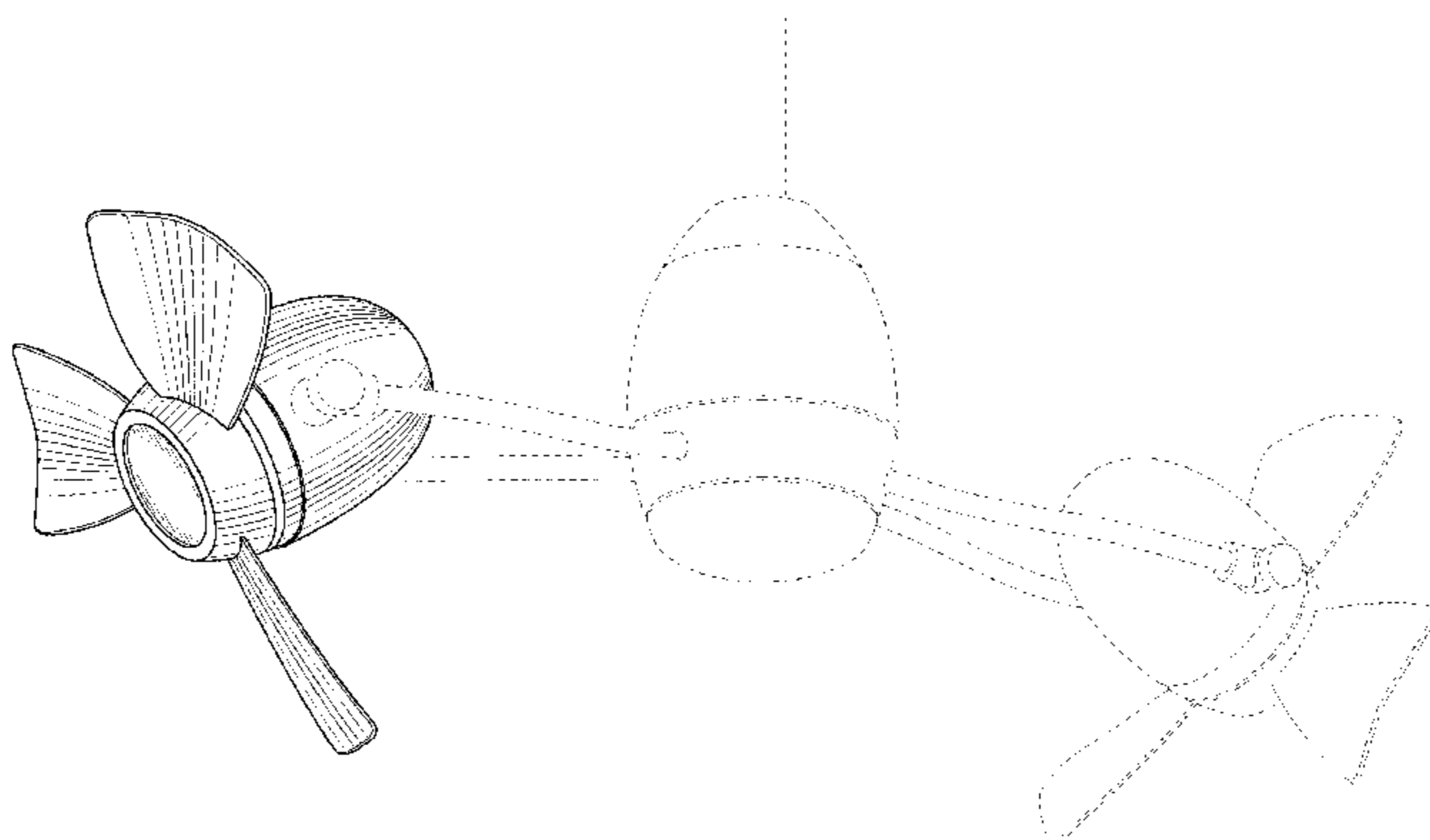
(57) **CLAIM**

The ornamental design for a ceiling fan, as shown and described.

**DESCRIPTION**

FIG. 1 is a perspective view of a ceiling fan in accordance with my design;  
FIG. 2 is a top plan view of the ceiling fan in accordance with my design;  
FIG. 3 is a bottom plan view of the ceiling fan in accordance with my design;  
FIG. 4 is a front elevation view of the ceiling fan in accordance with my design;  
FIG. 5 is a rear elevation view of the ceiling fan in accordance with my design;  
FIG. 6 is a left-side elevation view of the ceiling fan in accordance with my design; and,  
FIG. 7 is a right-side elevation view of the ceiling fan in accordance with my design.  
The lighter and closely spaced lines in the drawings are surface shading and are not surface ornamentation.  
The broken lines illustrate portions of the ceiling fan that form no part of the claimed design.

**1 Claim, 4 Drawing Sheets**



(56)

## References Cited

## U.S. PATENT DOCUMENTS

5,096,383	A *	3/1992	Dobrzynski	.....	B64C 11/00	
						416/124
D401,194	S *	11/1998	Harwood	.....	D12/162	
D464,455	S *	10/2002	Fong	.....	D26/63	
D465,841	S *	11/2002	Dye	.....	D23/411	
D485,608	S	1/2004	Chen			
D489,443	S	5/2004	Gajewski			
D490,146	S	5/2004	Gajewski			
6,817,830	B1 *	11/2004	Chen	.....	F04D 25/166	
						415/60
D506,002	S	6/2005	Chen			
6,913,443	B2 *	7/2005	Chen	.....	F04D 25/088	
						416/100
D508,120	S	8/2005	Chen			
D513,317	S *	12/2005	Melwani	.....	D23/379	
D513,435	S *	1/2006	Ediger	.....	D23/411	
D519,204	S	4/2006	Spina			
D519,625	S	4/2006	Young			
7,077,629	B2 *	7/2006	Chen	.....	F04D 25/088	
						416/110
D589,197	S *	3/2009	Sabernig	.....	D26/83	
D671,492	S *	11/2012	Bestaven	.....	D12/214	
D699,832	S *	2/2014	Lim	.....	D23/379	
D706,410	S *	6/2014	Pan	.....	D23/411	
D717,934	S	11/2014	Chen			
D733,284	S *	6/2015	Lim	.....	D23/379	
D783,145	S *	4/2017	Wang	.....	D23/411	
D799,667	S *	10/2017	Wang	.....	D23/377	
D799,684	S *	10/2017	Wang	.....	D23/411	
D808,509	S *	1/2018	Gajewski	.....	D23/377	
D829,172	S *	9/2018	Cooper	.....	D13/115	
2003/0210982	A1	11/2003	Chen			
2004/0081564	A1	4/2004	Chen			
2004/0191066	A1	9/2004	Chen			
2004/0247427	A1	12/2004	Chen			
2006/0029498	A1	2/2006	Chen			

## OTHER PUBLICATIONS

Emerson Ceiling Fans CF244ORB, Curva, . . . , first available Jan. 18, 2010, site visited Oct. 18, 2018, Copyright © 1996-2018, <[https://www.amazon.com/Emerson-Ceiling-CF244ORB-Outdoor-44-Inch/dp/B00350QG1Y/ref=sr\\_1\\_1\\_sspa?ie=UTF8&qid=1539884003&sr=8-1-spons&keywords=emerson+curva+ceiling+fan&psc=1](https://www.amazon.com/Emerson-Ceiling-CF244ORB-Outdoor-44-Inch/dp/B00350QG1Y/ref=sr_1_1_sspa?ie=UTF8&qid=1539884003&sr=8-1-spons&keywords=emerson+curva+ceiling+fan&psc=1)>.\*

“Metropolitan Ceiling Fan by Gulf Coast,” [online] [Retrieved Oct. 3, 2016] [web.archive.org/web/20150402172357http://www.modernfanoutlet.com/gulf-coast-metropolitan-wb.html](http://web.archive.org/web/20150402172357http://www.modernfanoutlet.com/gulf-coast-metropolitan-wb.html). Published Apr. 12, 2015.

“Savoy House Circulaire Ceiling Fan,” [online] [Retrieved Oct. 3, 2016] [web.archive.org/web/20150202024834http://www.savoyhouse.com/Circulaire-Ceiling-Fan-50-950-CA-SN.html](http://web.archive.org/web/20150202024834http://www.savoyhouse.com/Circulaire-Ceiling-Fan-50-950-CA-SN.html). Published Feb. 2, 2015.

“Matthews Fan Co Atlas Kaye (Wall Mounted Fan) Model,” [online] [Retrieved Oct. 3, 2016] [web.archive.org/web/20120815151802http://fwww.ylighting.com/matthews-fan-kaye-wall-fan.html](http://web.archive.org/web/20120815151802http://fwww.ylighting.com/matthews-fan-kaye-wall-fan.html). Published Aug. 15, 2012.

“Minka Aire Gyro Traditional Ceiling Fan,” [online] [Retrieved Oct. 3, 2016] [web.archive.org/web/20150908013731http://www.minkagroup.net/products/f502-bcw](http://web.archive.org/web/20150908013731http://www.minkagroup.net/products/f502-bcw). Published Aug. 30, 2014.

“Savoy House Circulaire 3 Headed Ceiling Fan,” [online] [Retrieved Oct. 3, 2016] [web.archive.org/web/20150304155303http://fwww.savoyhouse.com/Circulaire-3-Headed-Ceiling-Fan.html](http://web.archive.org/web/20150304155303http://fwww.savoyhouse.com/Circulaire-3-Headed-Ceiling-Fan.html). Published Mar. 4, 2015.

“Matthews Fan Co Vent-Bettina Metal Ceiling Fan Model,” [online] [Retrieved Oct. 4, 2016] [web.archive.org/web/20120903021503http://www.hansenwholesale.com/ceilingfans/matthewsfanco/model.asp?ProdNo=VB-CR-MTL](http://web.archive.org/web/20120903021503http://www.hansenwholesale.com/ceilingfans/matthewsfanco/model.asp?ProdNo=VB-CR-MTL). Published Sep. 3, 2012.

“Minka Aire Gyrette Ceiling Fan Model,” [online] [Retrieved Oct. 4, 2016] [web.archive.org/web/20120806180136http://www.farreys.com/ceilingfans/minkaaire/gyretteF302-BN.html](http://web.archive.org/web/20120806180136http://www.farreys.com/ceilingfans/minkaaire/gyretteF302-BN.html). Published Aug. 6, 2012.

Craftmade Bellows IV (Wall Mounted Fan) Model, [online] [Retrieved Oct. 4, 2016] [web.archive.org/web/20160324044808http://www.craftmade.com/Craftmade-Bellows-iv-v16.htm](http://web.archive.org/web/20160324044808http://www.craftmade.com/Craftmade-Bellows-iv-v16.htm). Published Mar. 24, 2016.

Savoy House Sleep Floor Fan (Pedestal Fan) Model, [online]. [Retrieved Oct. 4, 2016]. [web.archive.org/web/20141123144846http://www.bedbathandbeyond.com/store/product/savoy-house-19-inch-3-speed-floor-pedestal-sleep-fan/3258382?](http://web.archive.org/web/20141123144846http://www.bedbathandbeyond.com/store/product/savoy-house-19-inch-3-speed-floor-pedestal-sleep-fan/3258382?). Published Nov. 23, 2014.

Savoy House Skyy Wall Fan (Wall Mounted Fan) Model, [online]. [Retrieved Oct. 4, 2016]. [web.archive.org/web/20140915205153http://www.savoyhouse.com/Skyy-Wall-Fan.html](http://web.archive.org/web/20140915205153http://www.savoyhouse.com/Skyy-Wall-Fan.html). Published Sep. 15, 2014.

Craftmade Dane Ceiling Fan Model, [online]. [Retrieved Oct. 4, 2016]. [web.archive.org/web/20141031080103http://www.lampsplus.com/products/30-inch-craftmade-dane-stainless-steel-ceiling-fan\\_6c705.html](http://web.archive.org/web/20141031080103http://www.lampsplus.com/products/30-inch-craftmade-dane-stainless-steel-ceiling-fan_6c705.html). Published Oct. 31, 2014.

Quorum Bronx Patio Ceiling Fan Model, [online]. [Retrieved Oct. 4, 2016]. [web.archive.org/web/20140113133352http://www.lumens.com/bronx-patio-ceiling-fan-by-quorum-international-uu455837.html](http://web.archive.org/web/20140113133352http://www.lumens.com/bronx-patio-ceiling-fan-by-quorum-international-uu455837.html). Published Jan. 13, 2014.

“Emerson Curva 44 Ceiling Fan Model,” [online]. [Retrieved Oct. 4, 2016]. [web.archive.org/web/20151017235758http://ceilingfans.emerson.com/shop/en/fan/44-curva-fan-p-cf244?](http://web.archive.org/web/20151017235758http://ceilingfans.emerson.com/shop/en/fan/44-curva-fan-p-cf244?). Published Oct. 17, 2015.

“Quorum Muse Ceiling Fan Model,” [online]. [Retrieved Oct. 4, 2016]. [web.archive.org/web/20140113131942http://www.lumens.com/muse-ceiling-fan-by-quorum-international-uu310239.html](http://web.archive.org/web/20140113131942http://www.lumens.com/muse-ceiling-fan-by-quorum-international-uu310239.html). Published Jan. 13, 2014.

“Modern Fan Gusto Model,” [online]. [Retrieved Oct. 4, 2016]. [web.archive.org/web/20140408061033http://www.modernfan.com/products/gusto.html](http://web.archive.org/web/20140408061033http://www.modernfan.com/products/gusto.html). Published Apr. 8, 2014.

“Montecarlo Muirfield Ceiling Fan,” [online]. [Retrieved Oct. 4, 2016]. [web.archive.org/web/20110811024539http://www.montecarlofans.com/fa1766-pg1/Muirfield-Collection.htm](http://web.archive.org/web/20110811024539http://www.montecarlofans.com/fa1766-pg1/Muirfield-Collection.htm). Published Aug. 11, 2011.

“Modern Fan Plum Model,” [online]. [Retrieved Oct. 4, 2016]. [web.archive.org/web/20140408061105http://www.modernfan.com/products/plum.html](http://web.archive.org/web/20140408061105http://www.modernfan.com/products/plum.html). Published Apr. 8, 2014.

“Modern Fan Cirrus Model,” [online]. [Retrieved Oct. 4, 2016]. [web.archive.org/web/20160204141156http://www.lighting.com/modern-fan-cirrus-ceiling-fan.html](http://web.archive.org/web/20160204141156http://www.lighting.com/modern-fan-cirrus-ceiling-fan.html). Published Feb. 4, 2016.

“Minka Aire Vintage Gyro Ceiling Fan,” [online]. [Retrieved Oct. 4, 2016]. [web.archive.org/web/20140830171636http://minkagroup.net/products/f802-orb](http://web.archive.org/web/20140830171636http://minkagroup.net/products/f802-orb). Published Aug. 30, 2014.

“Minka Aire Gyro Ceiling Fan,” [online]. [Retrieved Oct. 4, 2016]. [web.archive.org/web/20081226150837http://www.lampsplus.com/Products/42-inch-Minka-Aire-Gyro-Ceiling-Fan\\_70451.html](http://web.archive.org/web/20081226150837http://www.lampsplus.com/Products/42-inch-Minka-Aire-Gyro-Ceiling-Fan_70451.html). Published Dec. 26, 2008.

“Minka Aire Gyro Outdoor Ceiling Fan,” [online]. [Retrieved Oct. 4, 2016]. [web.archive.org/web/20140805143133http://www.lumens.com/gyro-wet-42-in.-ceiling-fan-by-minka-aire-fans-PAAAAAFCNDJACBCL.html](http://web.archive.org/web/20140805143133http://www.lumens.com/gyro-wet-42-in.-ceiling-fan-by-minka-aire-fans-PAAAAAFCNDJACBCL.html). Published Aug. 2014.

“Matthews Fan Co. Dagny w/Wood Blades Ceiling Fan,” [online]. [Retrieved Oct. 4, 2016]. [web.archive.org/web/20120815153325http://www.ylighting.com/matthews-fan-dagny-ceiling-fan.html](http://web.archive.org/web/20120815153325http://www.ylighting.com/matthews-fan-dagny-ceiling-fan.html). Published Aug. 15, 2012.

“Matthews Fan Co. Atlas Acqua Rotational Wood Ceiling Fan,” [online] [Retrieved Oct. 4, 2016] [web.archive.org/web/20120310102815http://www.ylighting.com/matthews-fan-acqua-ceiling-fan.html](http://web.archive.org/web/20120310102815http://www.ylighting.com/matthews-fan-acqua-ceiling-fan.html). Published Mar. 10, 2012.

“Matthews Fan Co. Dagny w/Metal Blades Ceiling Fan,” [online]. [Retrieved Oct. 4, 2016]. [web.archive.org/web/20120815153325http://www.ylighting.com/matthews-fan-dagny-ceiling-fan.html](http://web.archive.org/web/20120815153325http://www.ylighting.com/matthews-fan-dagny-ceiling-fan.html). Published Aug. 15, 2012.

“Savoy House Sleep Fan Table (Table/Desk Fan) Model,” [online]. [Retrieved Oct. 4, 2016]. [web.archive.org/web/20151028095203http://www.hansenwholesale.com/ceilingfans/savoyhouse/model.asp?ProdNo=SV%2D12%DSF%2D13](http://web.archive.org/web/20151028095203http://www.hansenwholesale.com/ceilingfans/savoyhouse/model.asp?ProdNo=SV%2D12%DSF%2D13). Published Oct. 28, 2015.

“Craftmade Bellows III Ceiling Fan Model,” [online]. [Retrieved Oct. 4, 2016]. [web.archive.org/web/20151225091221http://www.craftmade.com/Craftmade-BW321-AG3-Bronze-Outdoor-Ceiling-Fan](http://web.archive.org/web/20151225091221http://www.craftmade.com/Craftmade-BW321-AG3-Bronze-Outdoor-Ceiling-Fan). Published Dec. 25, 2015.

(56)

**References Cited**

OTHER PUBLICATIONS

“Craftmade Bellows II Ceiling Fan Model,” [online]. [Retrieved Oct. 4, 2016]. [web.archive.org/web/20160515134443/http://www.craftmade.com/Craftmade-BW248AG6-Bronze-Outdoor -Ceiling-Fan](http://web.archive.org/web/20160515134443/http://www.craftmade.com/Craftmade-BW248AG6-Bronze-Outdoor-Ceiling-Fan). HTM. Published May 15, 2016.

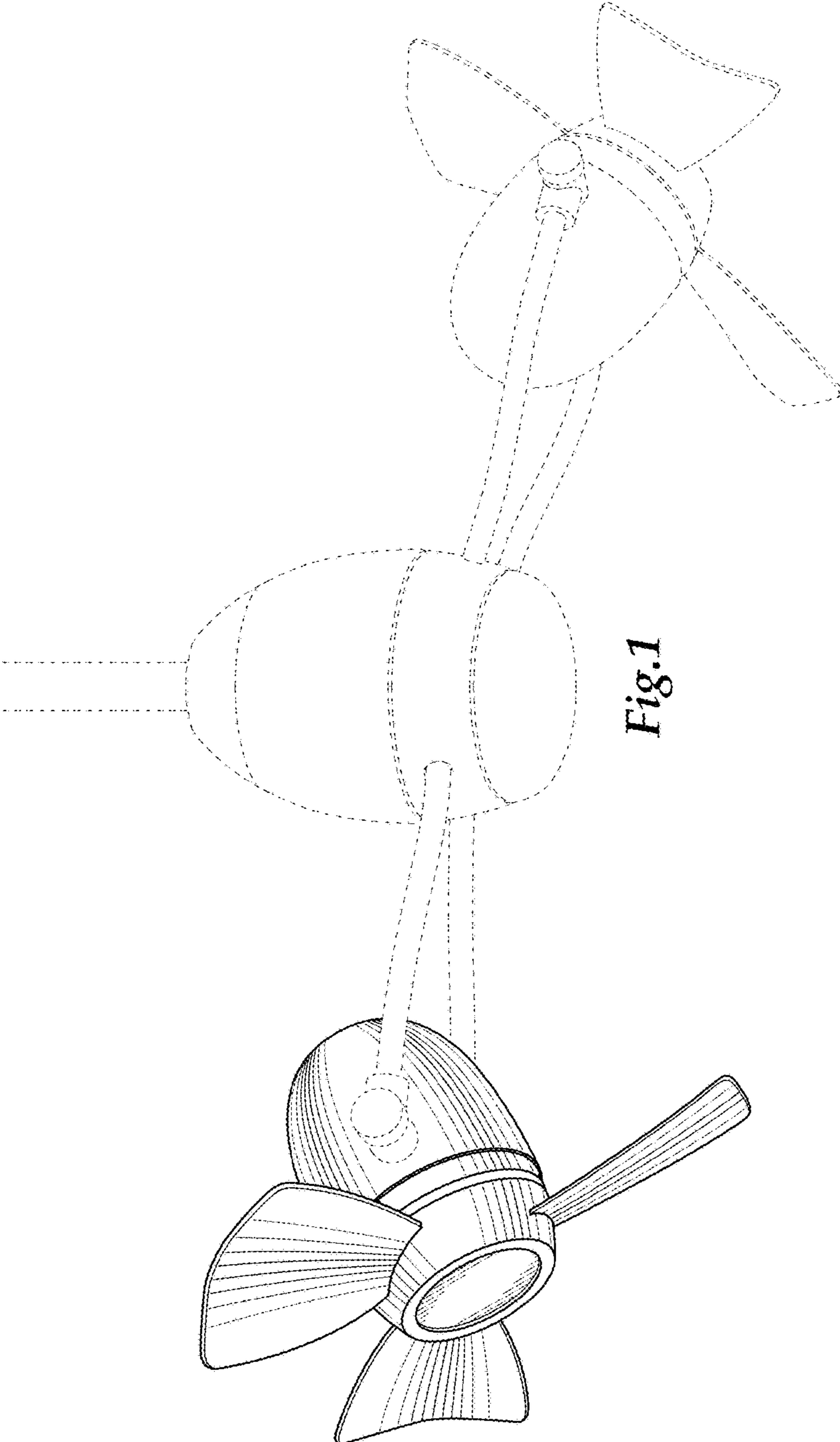
Craftmade Bellows I (Wall Mounted Fan) Model, [online]. [Retrieved Oct. 4, 2016]. [web.archive.org/web/20150704000333/http://www.hansenwholesale.com/ceilingfans/craftmade/model.asp?ProdNo=CF%DBW116AG3](http://web.archive.org/web/20150704000333/http://www.hansenwholesale.com/ceilingfans/craftmade/model.asp?ProdNo=CF%DBW116AG3). Published Jul. 4, 2015.

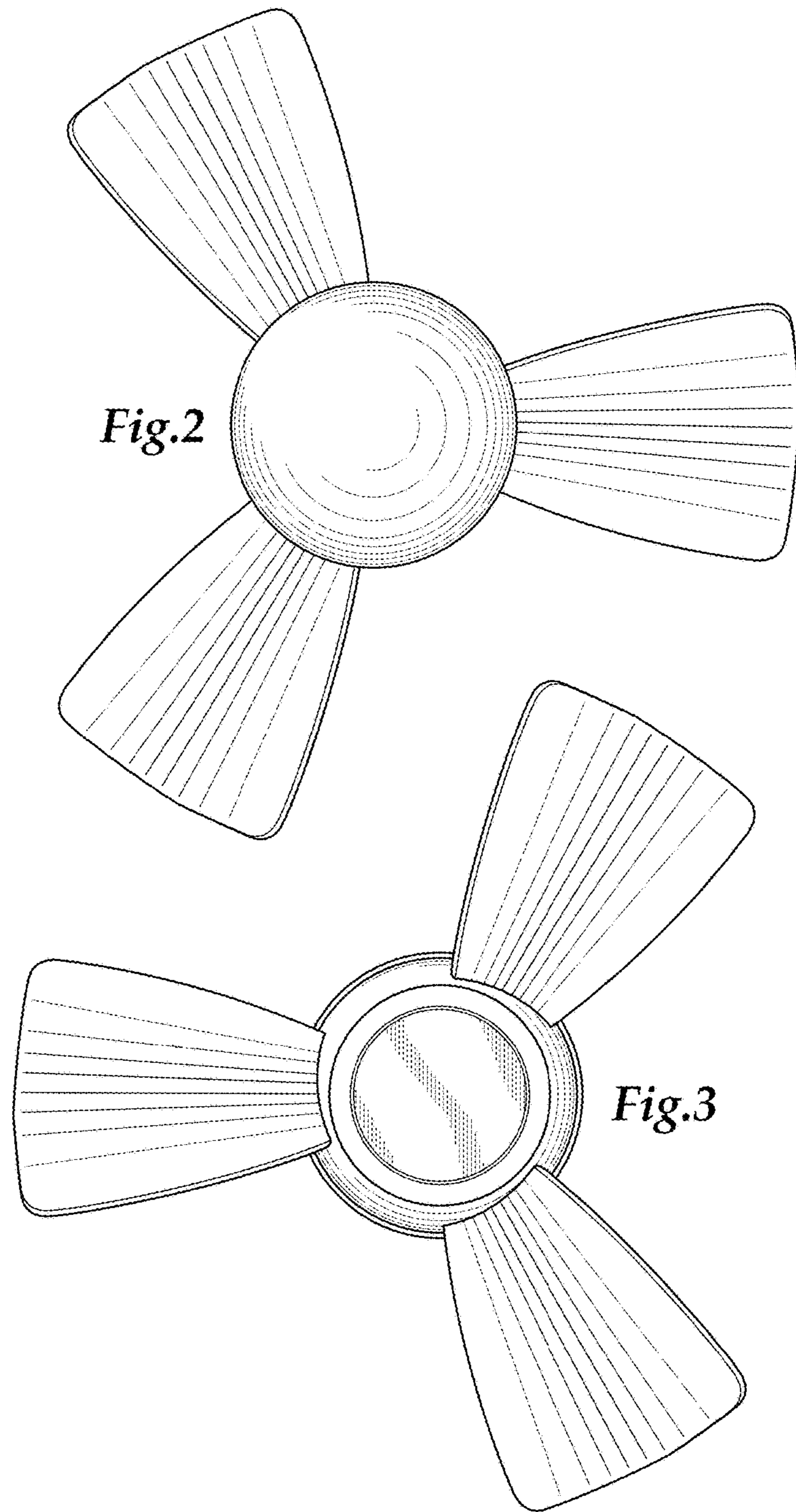
“Matthews Fan Co. Atlas Melody Oscillating Wall Fan (Wall Mounted Fan) Model,” [online]. [Retrieved Oct. 4, 2016]. [web.archive.org/web/20120310113427/http://www.ylighting.com/matthews-fan-melody-wall-fan.html](http://web.archive.org/web/20120310113427/http://www.ylighting.com/matthews-fan-melody-wall-fan.html). Published Mar. 10, 2012.

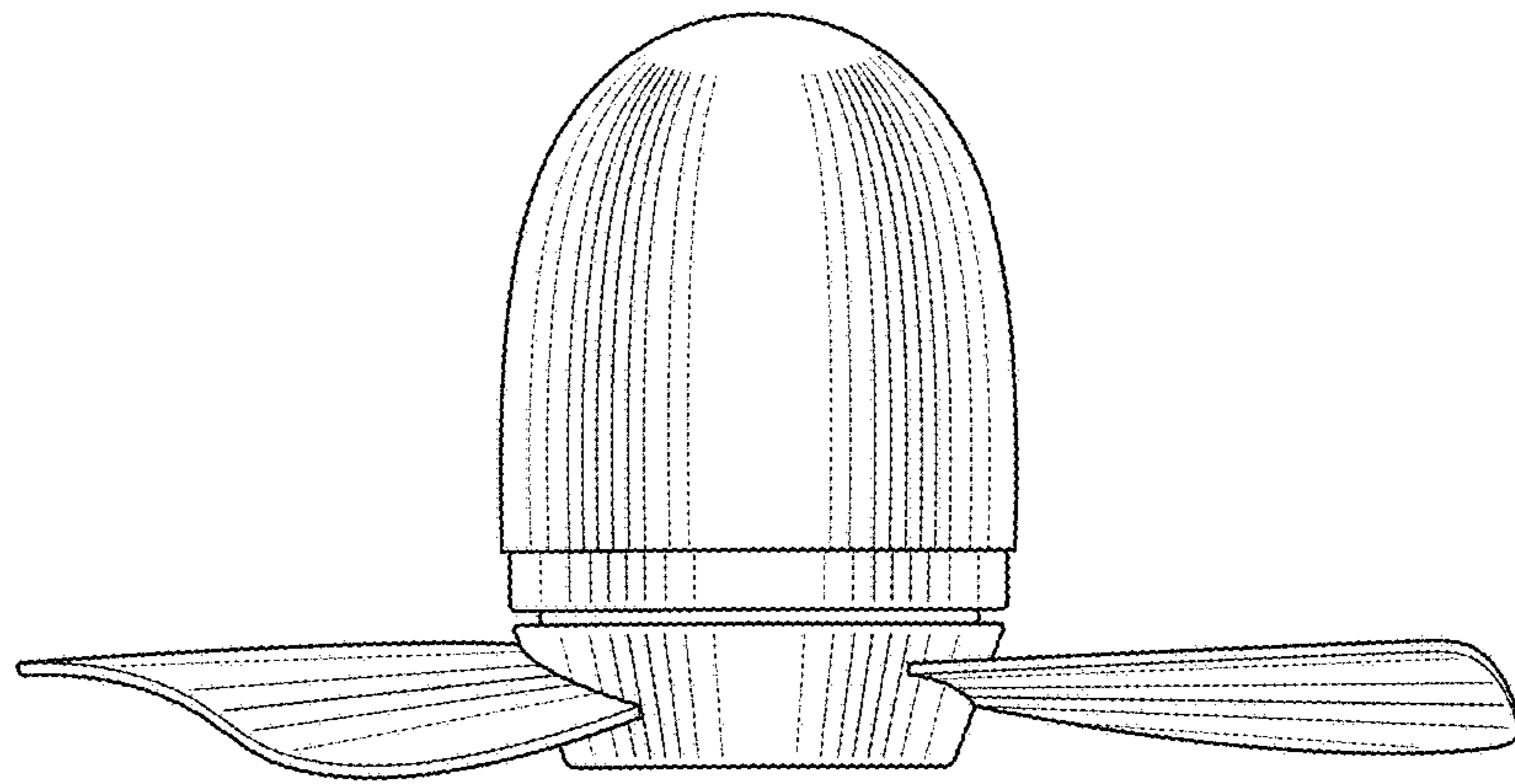
“Kichler Dual Yuree Ceiling Fan,” [online]. [Retrieved Oct. 4, 2016]. [web.archive.org/web/20140724123112/http://www.kichler.com/products/product/48-inch-dual-yuree-fan-ni-310125ni.aspx](http://web.archive.org/web/20140724123112/http://www.kichler.com/products/product/48-inch-dual-yuree-fan-ni-310125ni.aspx). Published Jul. 24, 2014.

“Circulaire Ceiling Fan,” [online]. [Retrieved Mar. 10, 2017]. [web.archive.org/web/20150202024834/http://www.savoyhouse.com/Circulaire-Ceiling-Fan-50-950-CA-SN.html](http://web.archive.org/web/20150202024834/http://www.savoyhouse.com/Circulaire-Ceiling-Fan-50-950-CA-SN.html). Published Feb. 2, 2015.

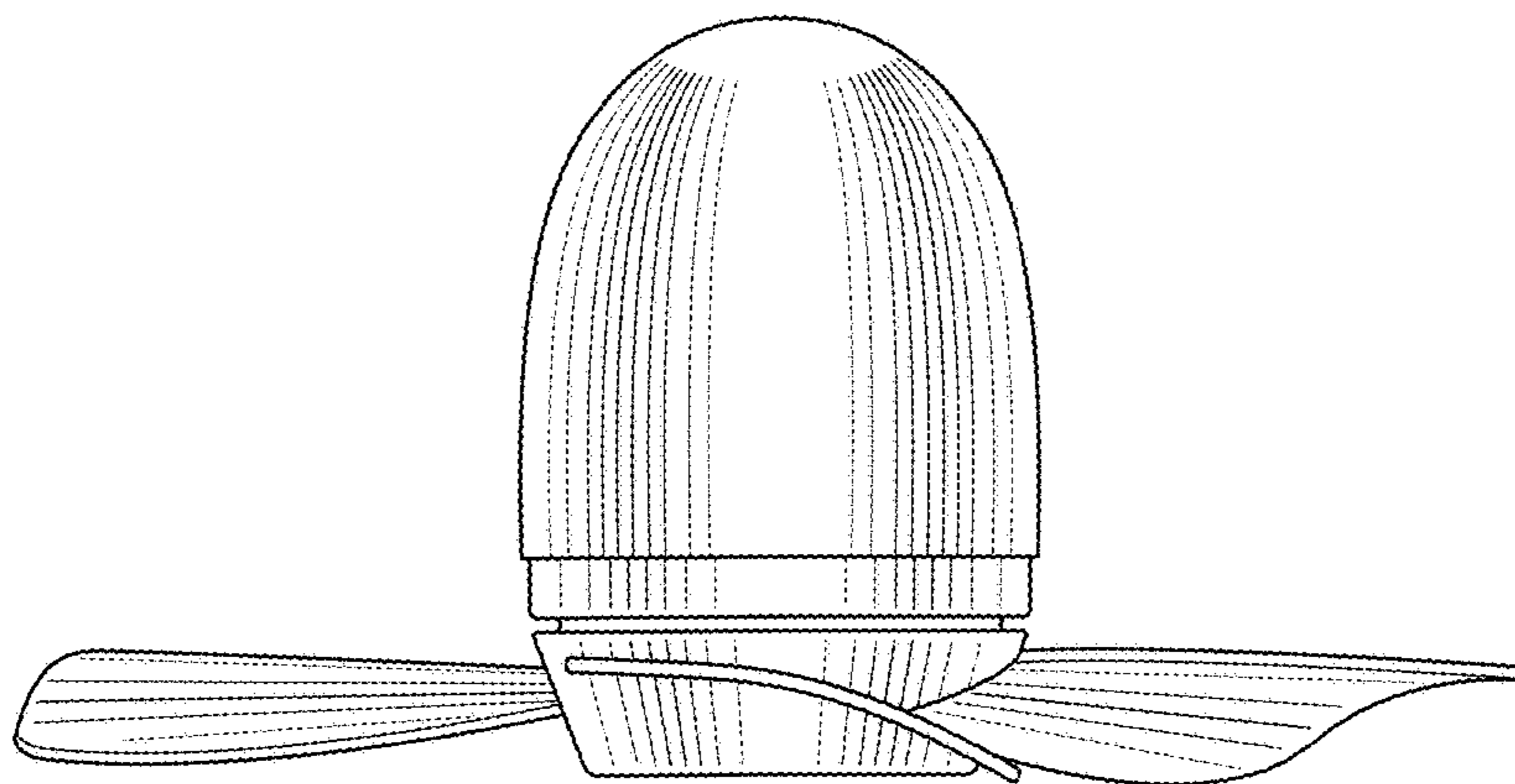
\* cited by examiner



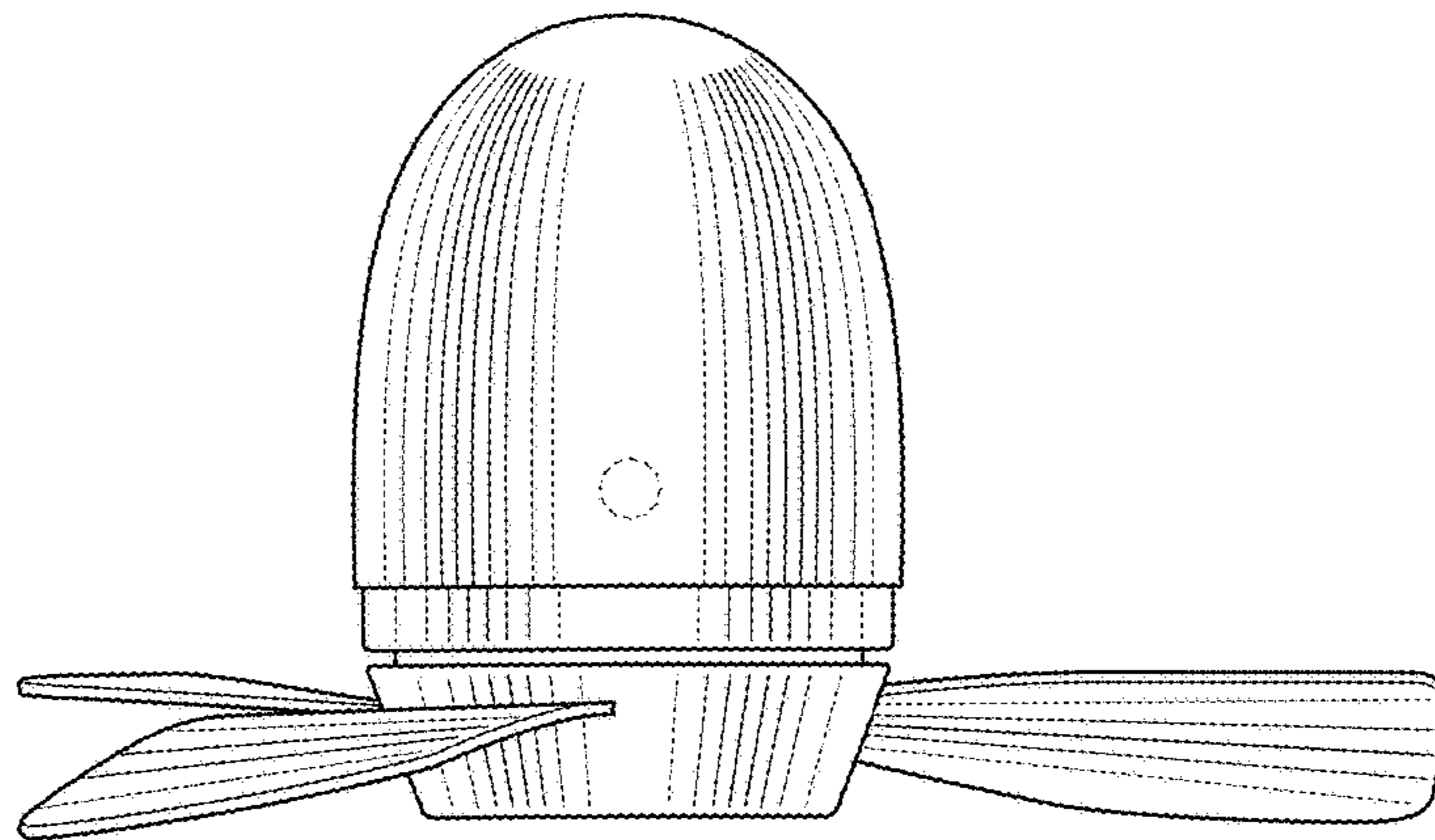




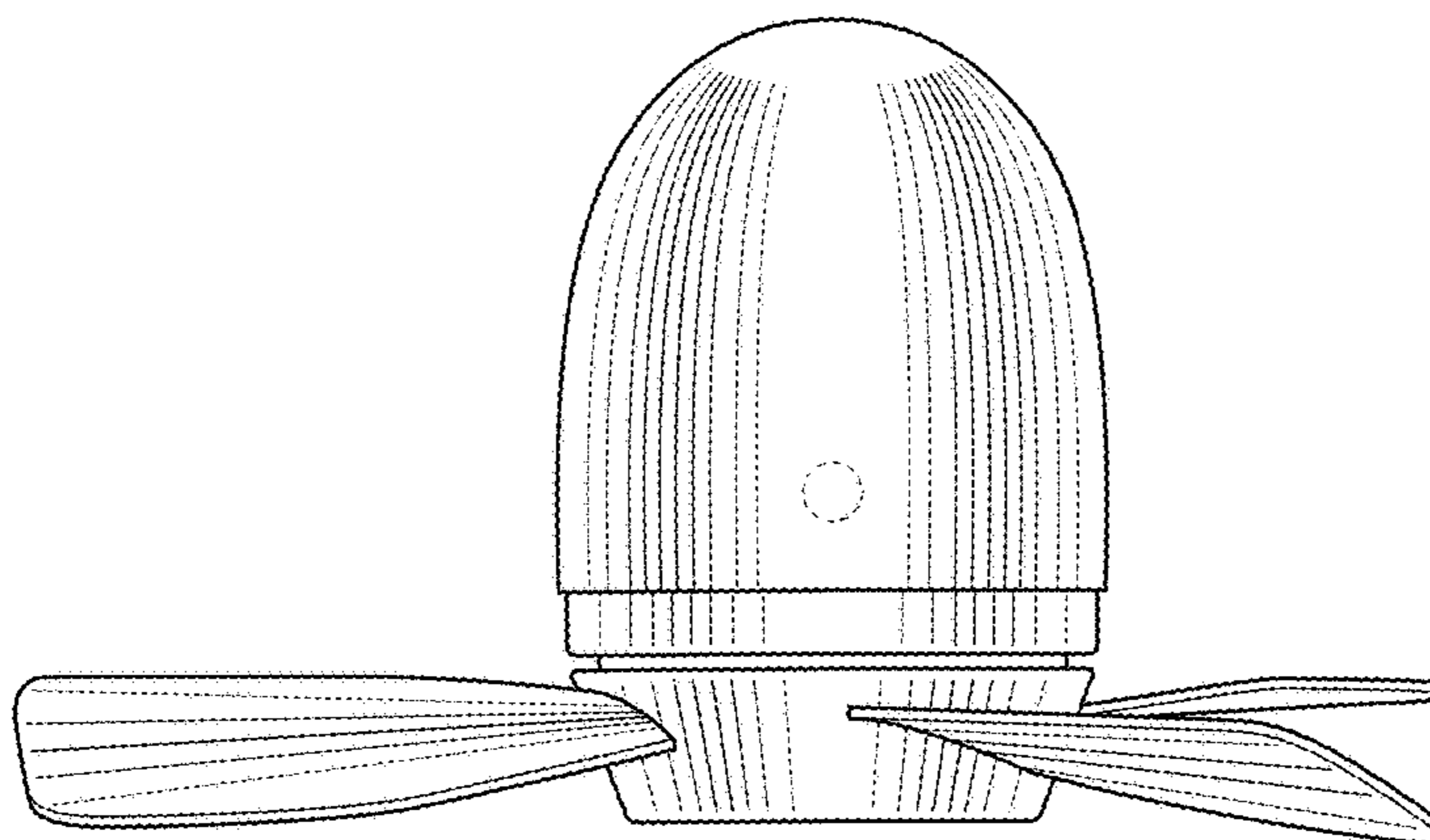
*Fig.4*



*Fig.5*



*Fig.6*



*Fig.7*