



US00D851235S

(12) **United States Design Patent**
Hidalgo

(10) **Patent No.:** **US D851,235 S**
(45) **Date of Patent:** **** Jun. 11, 2019**

- (54) **CEILING FAN HOUSING**
- (71) Applicant: **Minka Lighting, Inc.**, Corona, CA (US)
- (72) Inventor: **Rolando Hidalgo**, Yorba Linda, CA (US)
- (73) Assignee: **Minka Lighting, Inc.**, Corona, CA (US)

- D728,775 S * 5/2015 Gajewski D23/411
- D745,956 S * 12/2015 Ertze D23/385
- D745,959 S * 12/2015 Ertze D23/411
- D747,452 S * 1/2016 Gajewski D23/377
- D778,422 S * 2/2017 Gajewski D23/377
- D799,663 S * 10/2017 Wang D23/377
- D801,515 S * 10/2017 Wang D23/411
- D804,536 S * 12/2017 Bao D15/7
- D805,623 S * 12/2017 Haggar D23/377

(Continued)

- (**) Term: **15 Years**
- (21) Appl. No.: **29/625,662**
- (22) Filed: **Nov. 10, 2017**
- (51) **LOC (11) Cl.** **23-03**
- (52) **U.S. Cl.**
USPC **D23/411**
- (58) **Field of Classification Search**
USPC D23/370–385, 411–414; D26/59, 67, 72;
D15/7
CPC F04D 25/088; F21V 33/0096
See application file for complete search history.

OTHER PUBLICATIONS

Savoy House Ceiling Fan Model 56-870 amazon.com 5 pgs. Date First Available Jun. 24, 2013. [Retrieved Jan. 12, 2018]. <https://www.amazon.com/Savoy-House-56-870-3GR-242-3-Blade-Ceiling/dp/B00DSU1A6C>.

(Continued)

Primary Examiner — Cathron C Brooks
Assistant Examiner — Sharon S Oum
(74) *Attorney, Agent, or Firm* — Seyfarth Shaw LLP

(57) **CLAIM**

The ornamental design for a ceiling fan housing, as shown and described.

DESCRIPTION

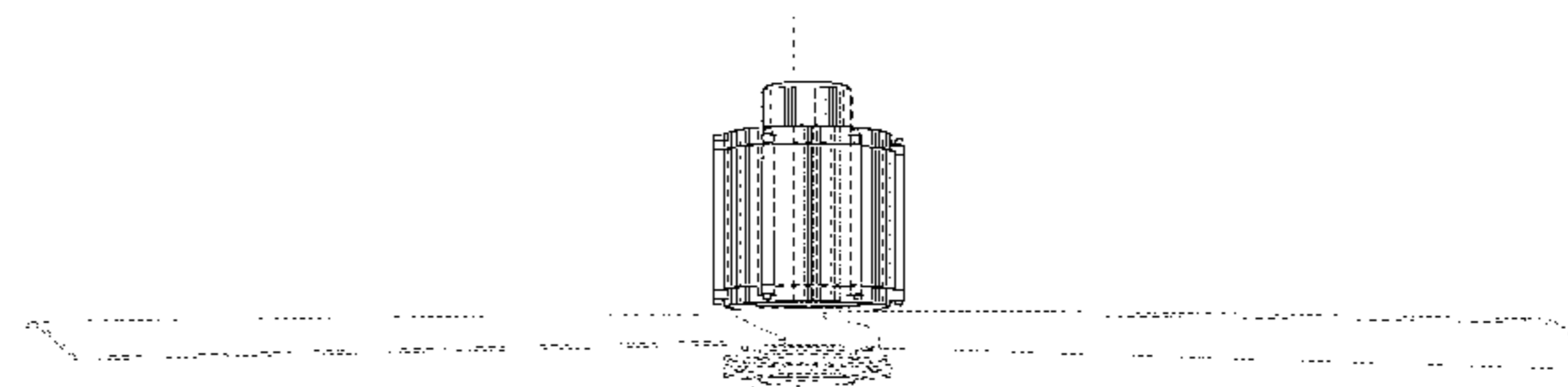
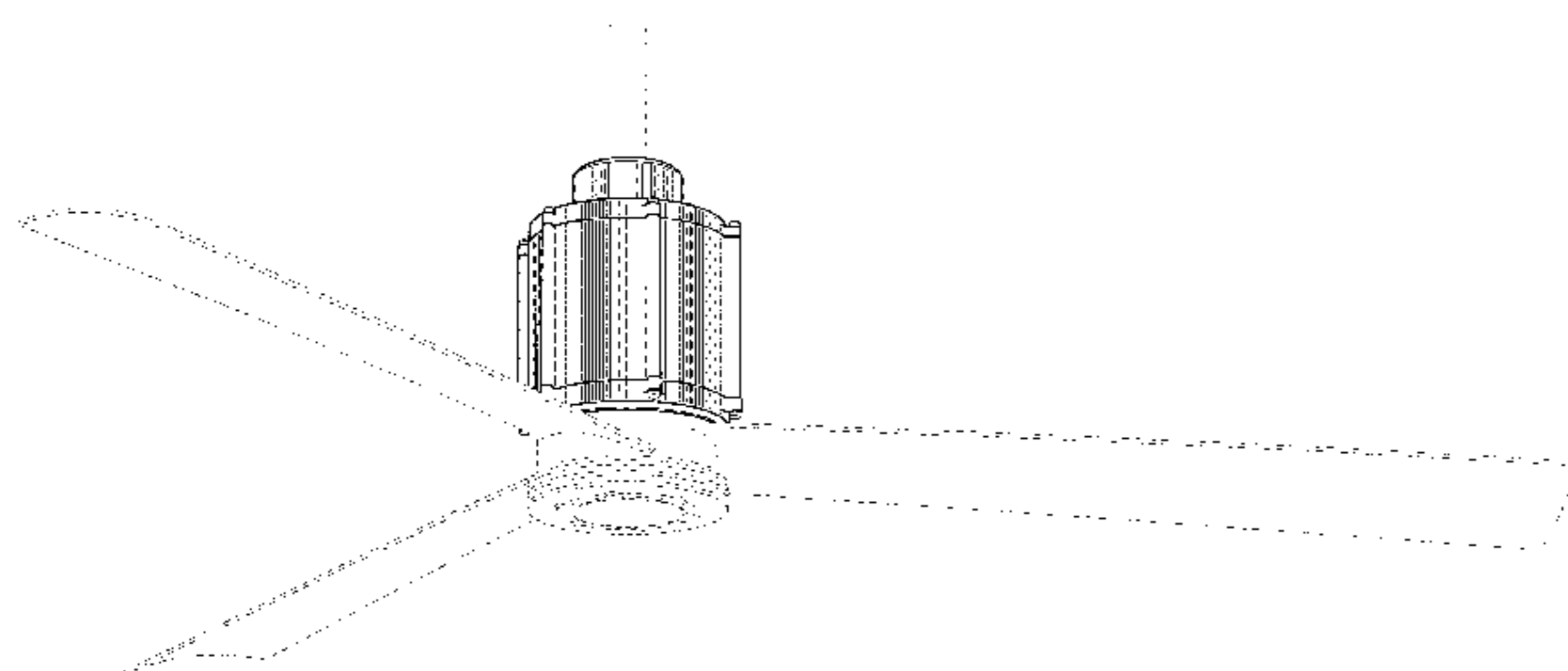
FIG. 1 is a perspective view of a ceiling fan housing in accordance with my design;
FIG. 2 is a top plan view thereof;
FIG. 3 is a bottom plan view thereof;
FIG. 4 is a front elevation view thereof;
FIG. 5 is a rear elevation view thereof;
FIG. 6 is a left-side elevation view thereof; and,
FIG. 7 is a right-side elevation view thereof.
The closely spaced lines in the drawings are surface shading and are not surface ornamentation.
The broken lines in the drawings illustrate portions of the ceiling fan that form no part of the claimed design.

1 Claim, 5 Drawing Sheets

(56) **References Cited**

U.S. PATENT DOCUMENTS

- D90,063 S * 6/1933 Dasher D23/377
- D160,820 S * 11/1950 Slaughter D15/7
- 3,144,832 A * 8/1964 Haynes F04D 9/02
415/121.2
- D372,034 S * 7/1996 Handzel D15/7
- D373,366 S * 9/1996 Wada D15/7
- D422,601 S * 4/2000 Bonzer D15/7
- D424,188 S * 5/2000 Liu D23/377
- D450,406 S * 11/2001 Knapstein D26/118
- D452,029 S * 12/2001 Chen D26/72
- D453,216 S * 1/2002 Gajewski D23/377
- D478,981 S * 8/2003 Frampton D23/411
- D515,723 S * 2/2006 Chen D26/2
- D545,326 S * 6/2007 Zellers D15/7
- D594,542 S * 6/2009 Pan D23/377
- D726,298 S * 4/2015 Busta D23/411



(56)

References Cited

U.S. PATENT DOCUMENTS

D810,917 S * 2/2018 Holmes D23/377
D810,920 S * 2/2018 Haggar D23/377
D814,622 S * 4/2018 Gajewski D23/377
D820,431 S * 6/2018 Ertze D23/411
2010/0278637 A1* 11/2010 Oleson F04D 25/088
415/121.3

OTHER PUBLICATIONS

Craftmade Ceiling Fan Model K11067 amazon.com 7 pgs. Date
First Available Aug. 20, 2014. [Retrieved Jan. 12, 2018]. [https://
www.amazon.com/Craftmade-K11067-Ceiling-Acrylic-Integrated/
dp/B00MW1RH2Y](https://www.amazon.com/Craftmade-K11067-Ceiling-Acrylic-Integrated/dp/B00MW1RH2Y).

Craftmade Ceiling Fan Model 5BO52EBD. amazon.com 5 pgs Date
First Available Feb. 23, 2017. [Retrieved Jan. 12, 2018]. [https://
www.amazon.com/Craftmade-SON52CH-70GW-Ceiling-BSON-
70GW-Dimmable/dp/B06WWCCD1T](https://www.amazon.com/Craftmade-SON52CH-70GW-Ceiling-BSON-70GW-Dimmable/dp/B06WWCCD1T).

* cited by examiner

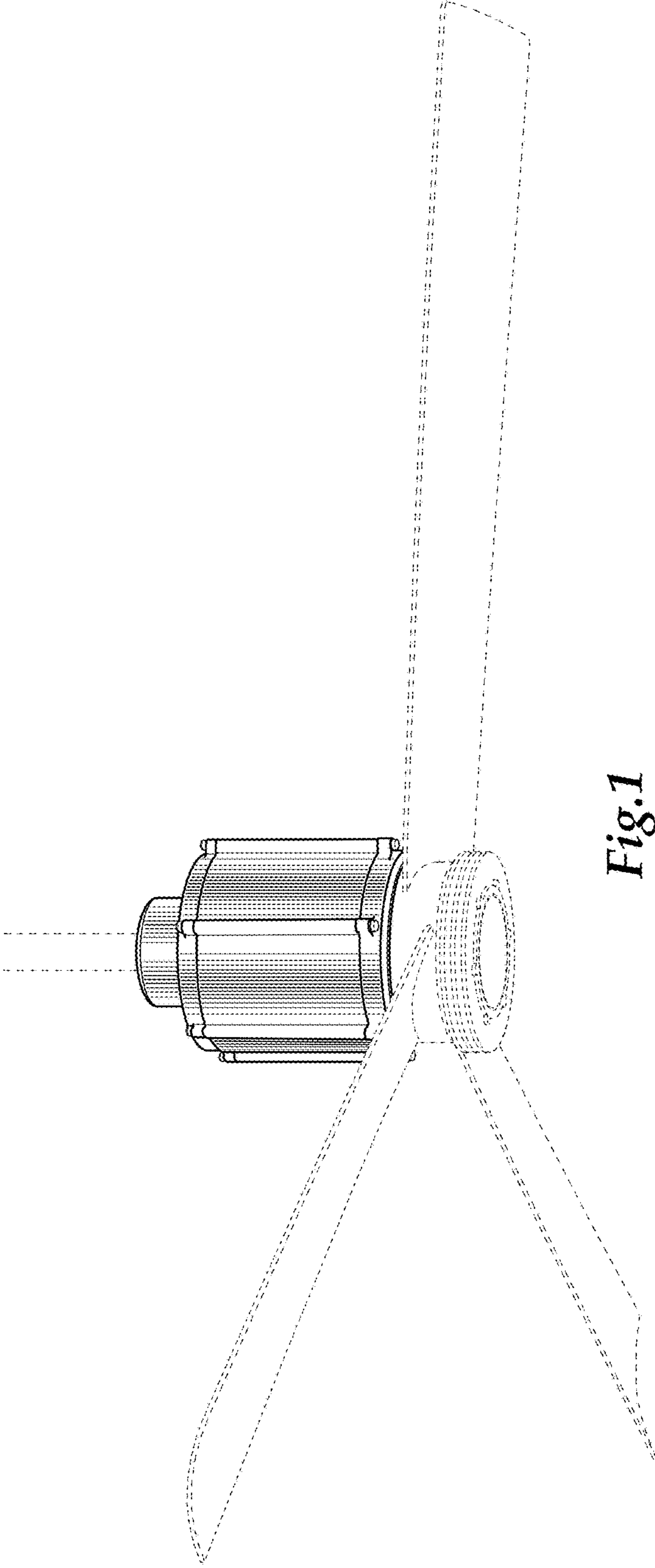


Fig. 1

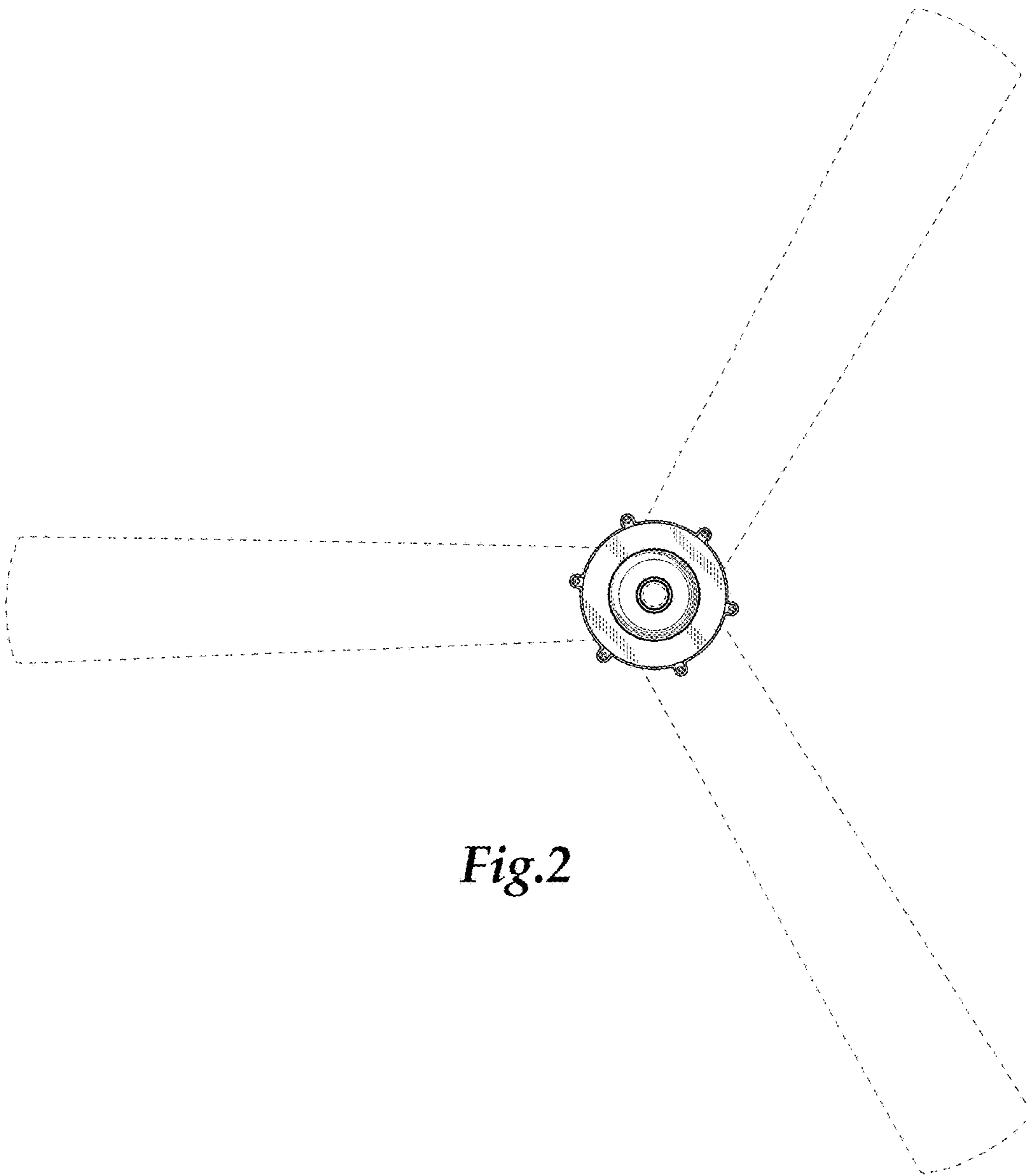


Fig.2

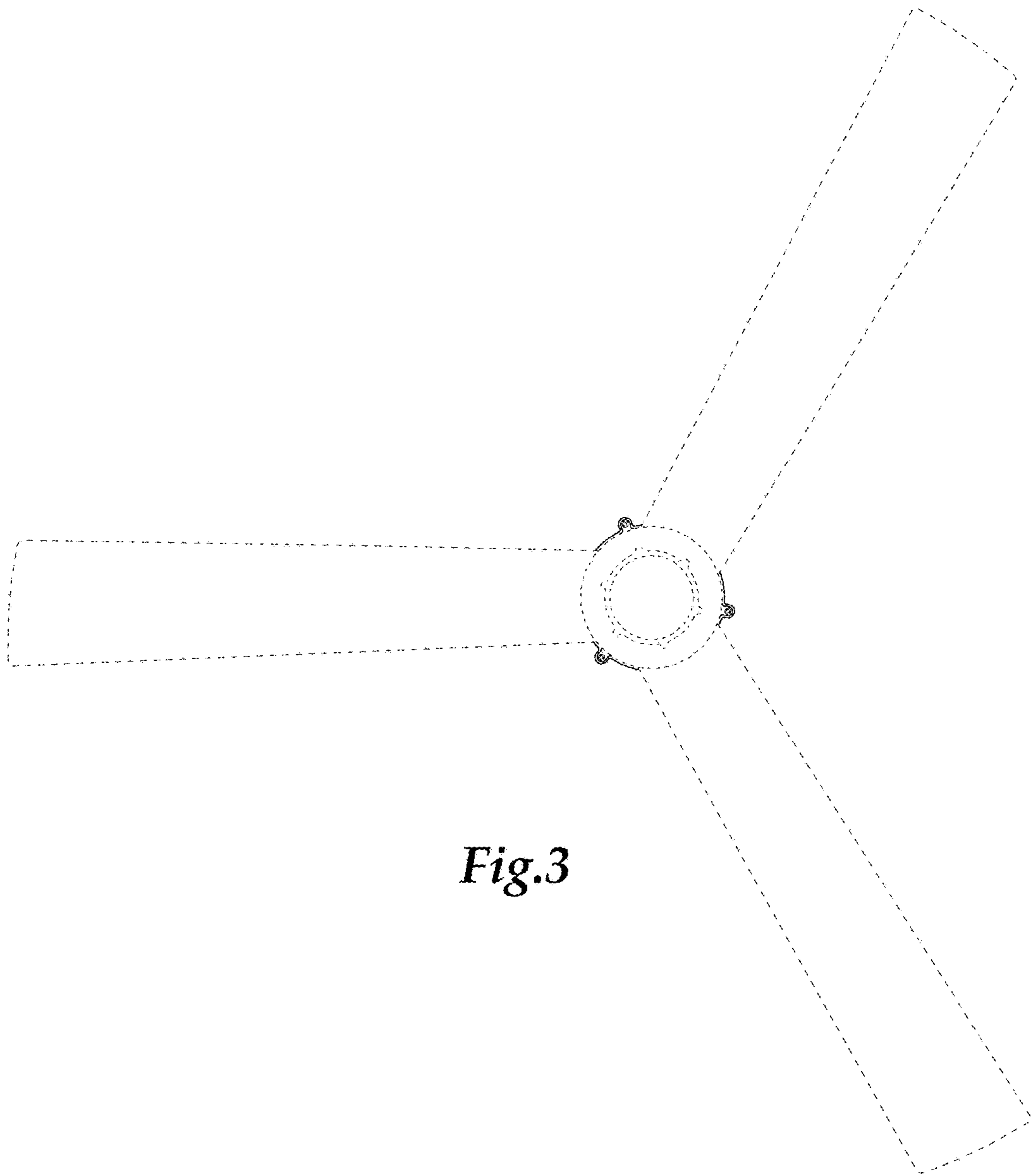


Fig.3

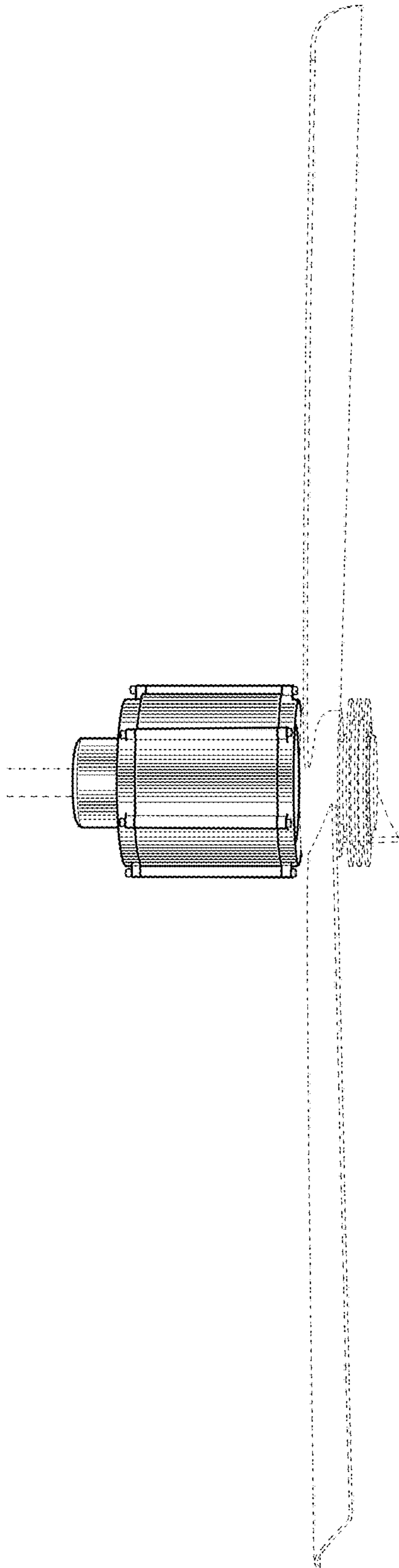


Fig. 4

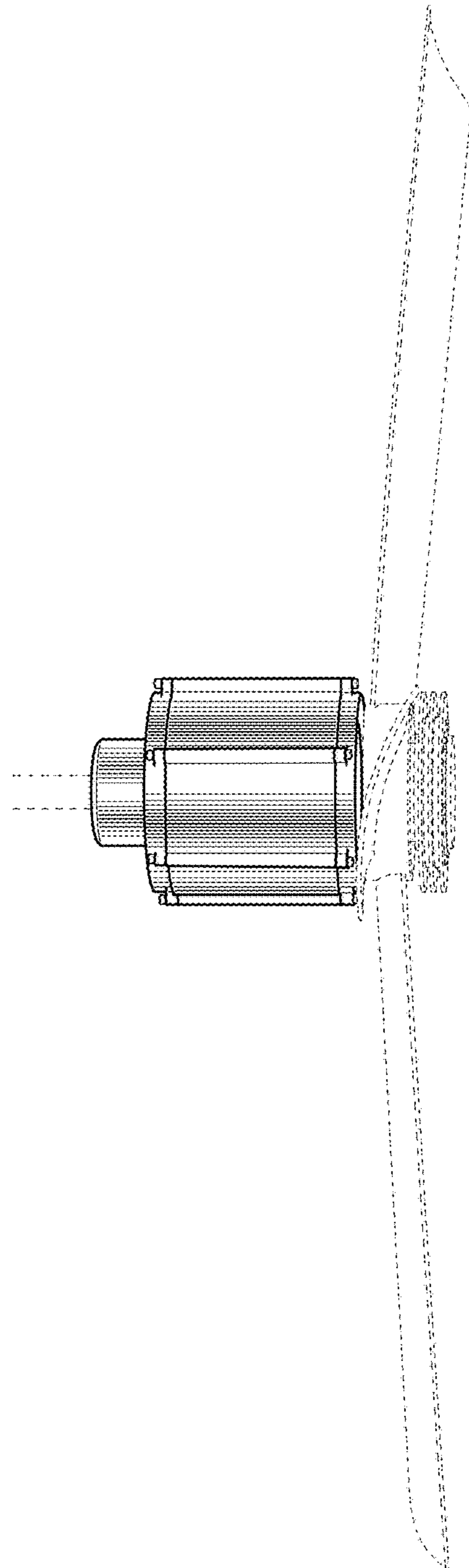


Fig. 5

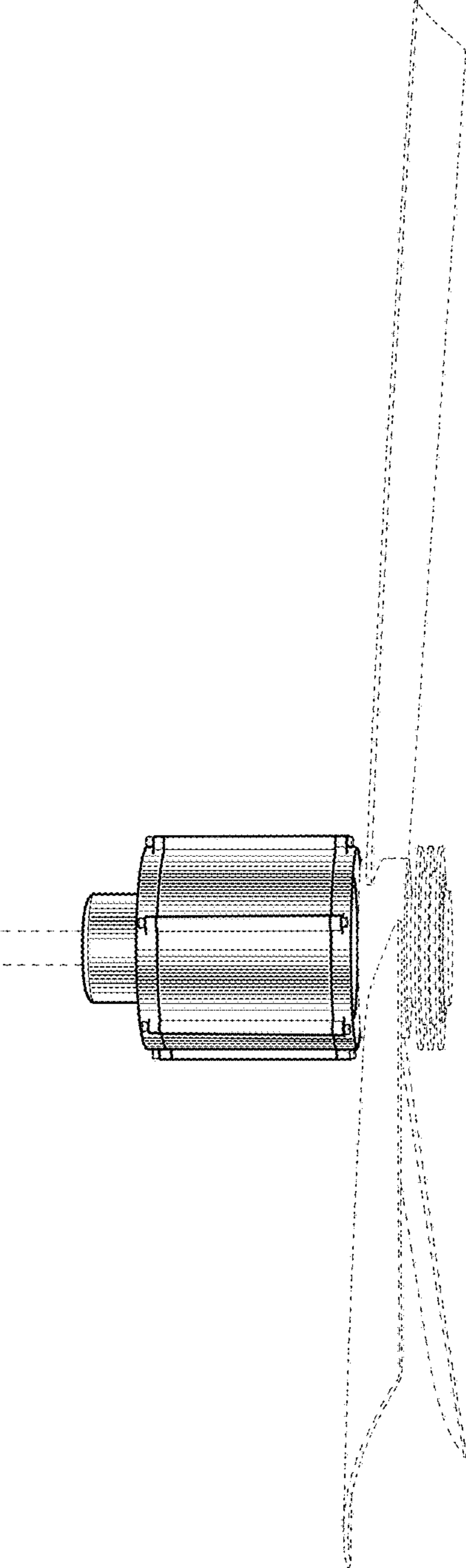


Fig. 6

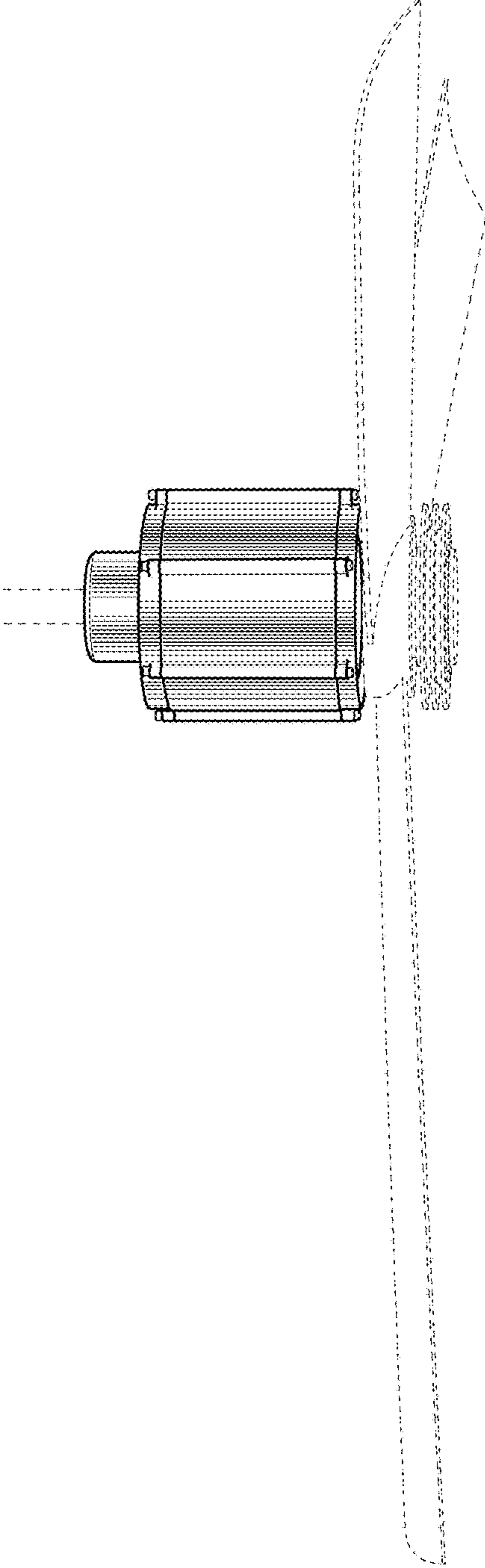


Fig. 7