



US00D851234S

(12) **United States Design Patent**
Hidalgo

(10) **Patent No.:** **US D851,234 S**
(45) **Date of Patent:** **** Jun. 11, 2019**

- (54) **CEILING FAN**
- (71) Applicant: **Minka Lighting, Inc.**, Corona, CA
(US)
- (72) Inventor: **Rolando Hidalgo**, Yorba Linda, CA
(US)
- (73) Assignee: **Minka Lighting, Inc.**, Corona, CA
(US)
- (**) Term: **15 Years**
- (21) Appl. No.: **29/639,282**
- (22) Filed: **Mar. 5, 2018**

D760,368 S *	6/2016	Chen	D23/377
D808,512 S *	1/2018	Hidalgo	D23/411
D812,215 S *	3/2018	Hidalgo	D23/377
D821,559 S *	6/2018	Hidalgo	D23/377
2009/0238690 A1 *	9/2009	Lai	F04D 25/088 416/100

* cited by examiner

Primary Examiner — Cathron C Brooks

Assistant Examiner — Sharon S Oum

(74) *Attorney, Agent, or Firm* — Seyfarth Shaw LLP

(57) **CLAIM**

The ornamental design for a ceiling fan, as shown and described.

DESCRIPTION

FIG. 1 is a perspective view of a ceiling fan in accordance with my design;
 FIG. 2 is a top plan view of the ceiling fan in accordance with my design;
 FIG. 3 is a bottom plan view of the ceiling fan in accordance with my design;
 FIG. 4 is a left-side elevation view of the ceiling fan in accordance with my design;
 FIG. 5 is a right-side elevation view of the ceiling fan in accordance with my design;
 FIG. 6 is a front elevation view of the ceiling fan in accordance with my design; and,
 FIG. 7 is a rear elevation view of the ceiling fan in accordance with my design.

The broken lines in the drawings illustrate portions of the ceiling fan that form no part of the claimed design.

The lighter and closely spaced lines in the drawings are surface shading and are not surface ornamentation.

1 Claim, 5 Drawing Sheets

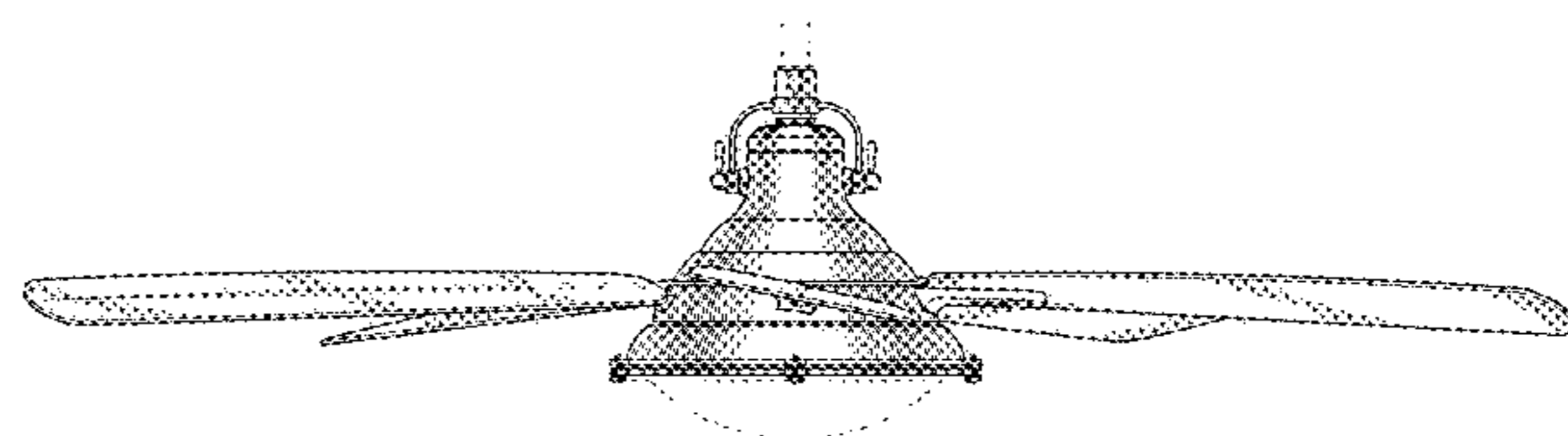
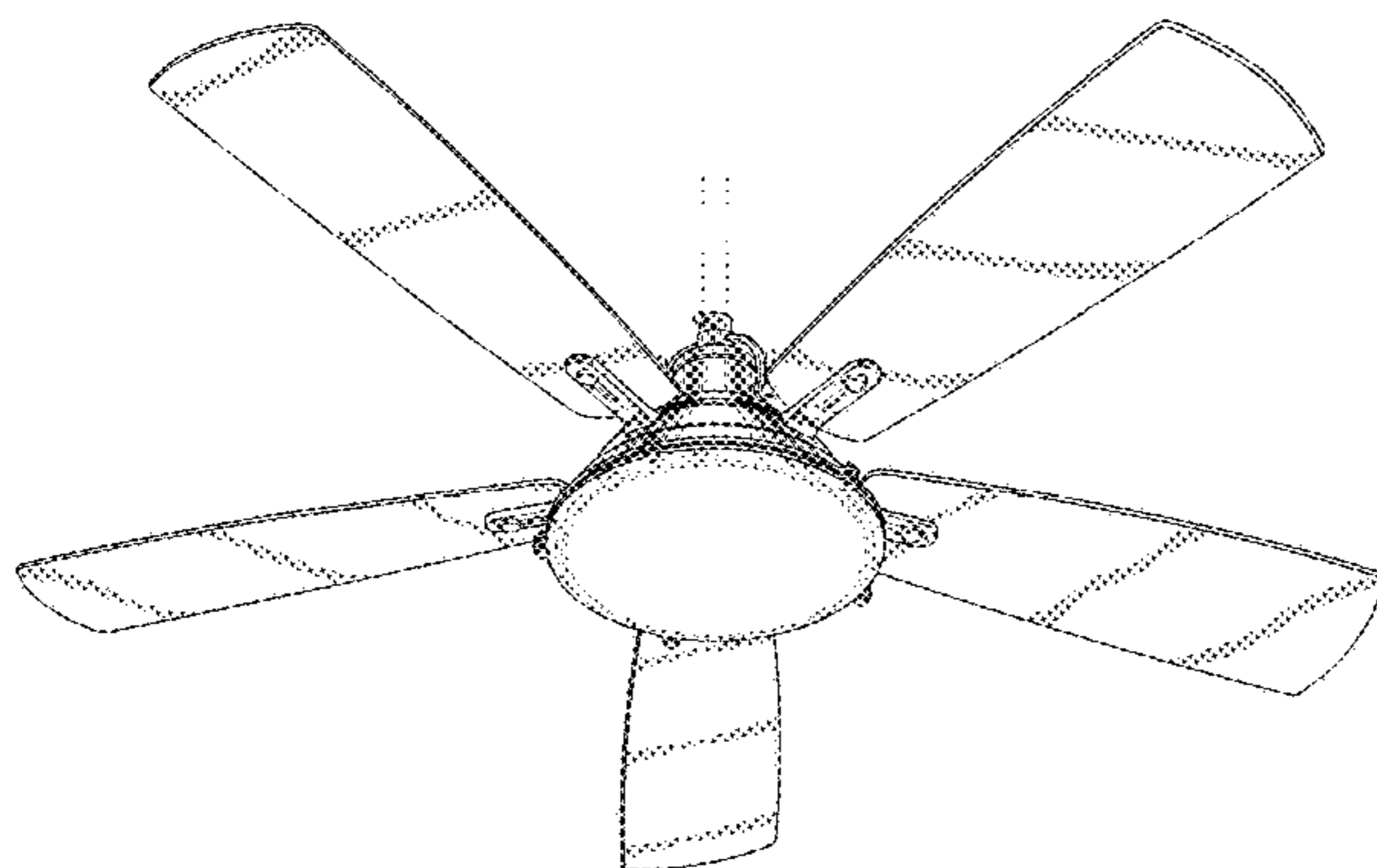
Related U.S. Application Data

- (63) Continuation of application No. 29/586,743, filed on Dec. 6, 2016, now Pat. No. Des. 812,215.
- (51) **LOC (11) Cl.** **23-04**
- (52) **U.S. Cl.**
USPC **D23/377**
- (58) **Field of Classification Search**
USPC D23/370–385, 411–414; D26/59
CPC F04D 25/088; F21V 33/0096
See application file for complete search history.

References Cited

U.S. PATENT DOCUMENTS

D461,580 S *	8/2002	Hsu	D26/85
D464,164 S *	10/2002	Thompson	D26/89
D476,406 S *	6/2003	Friedes	D23/377
D476,411 S *	6/2003	Friedes	D23/411
D551,756 S *	9/2007	Ertze	D23/411
D591,845 S *	5/2009	Smith	D23/411



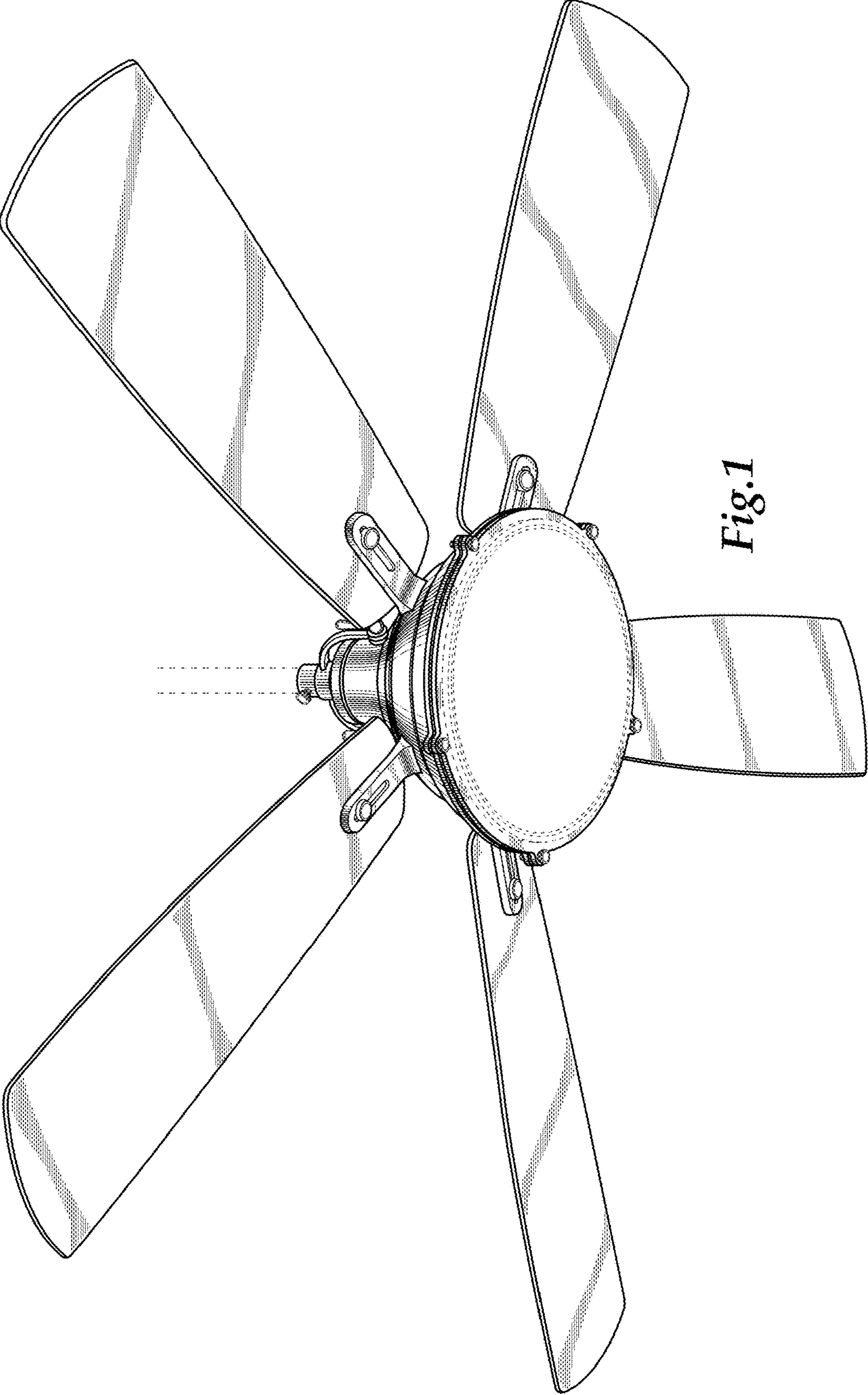


Fig.1

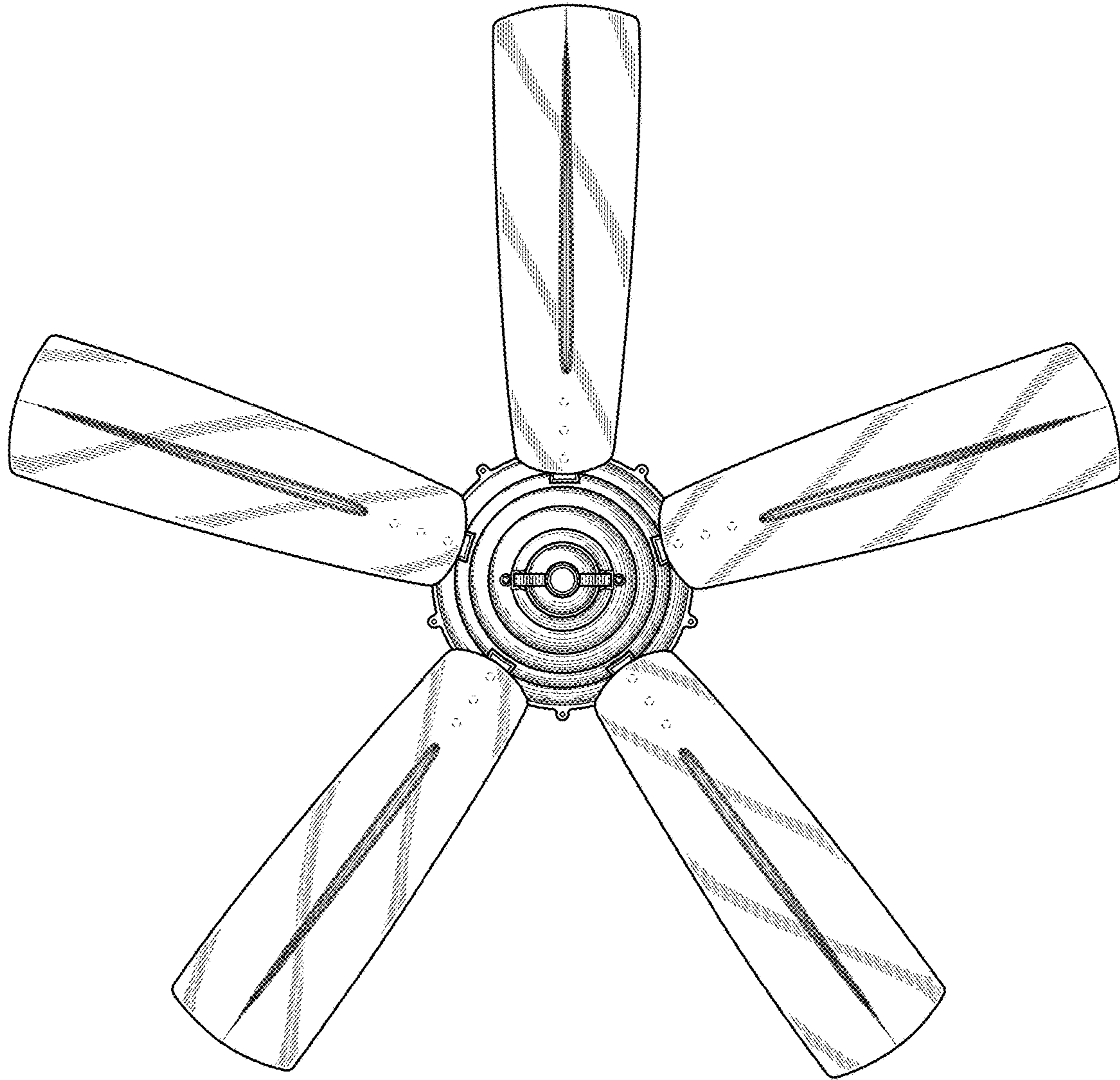


Fig.2

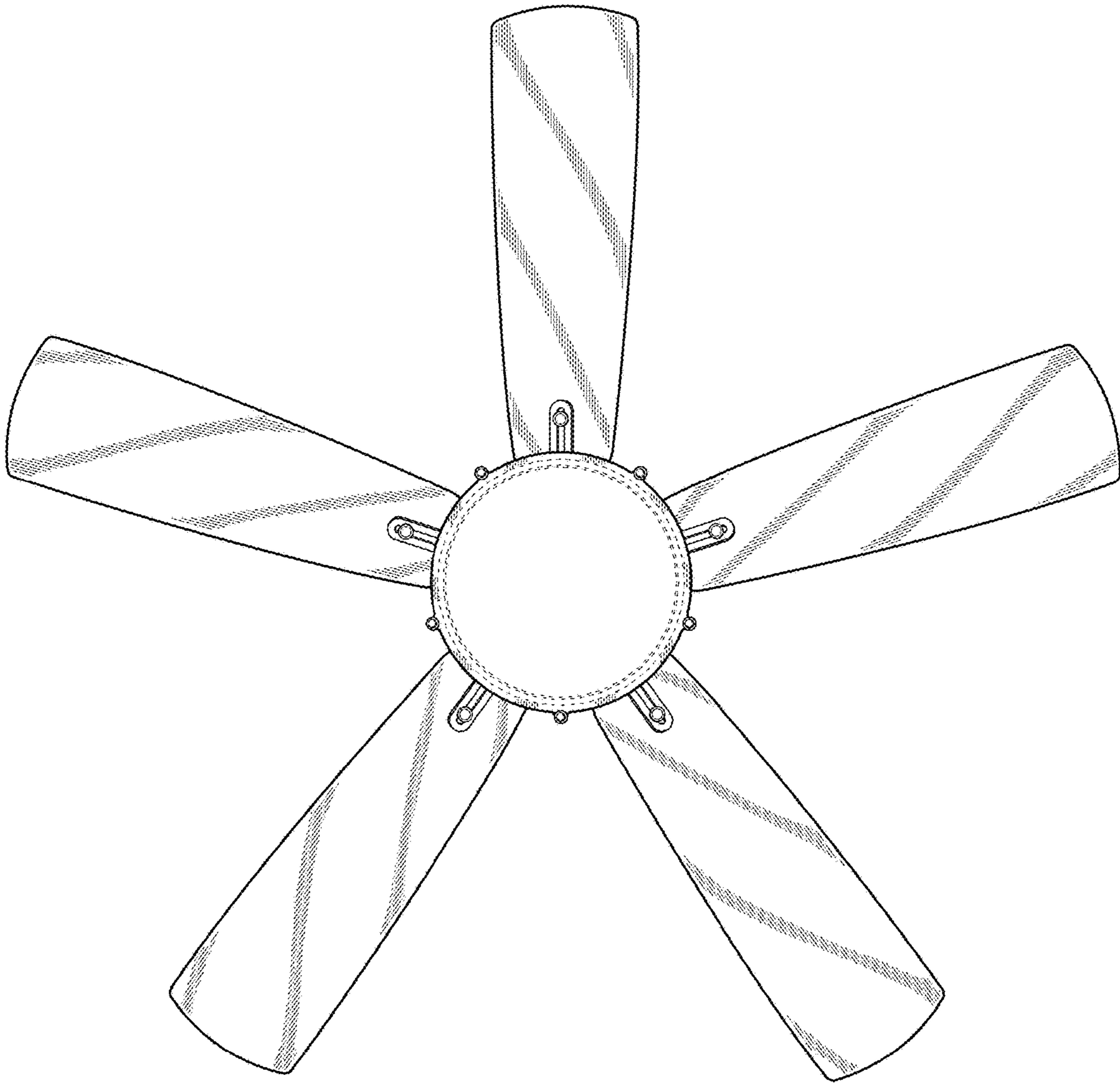


Fig.3

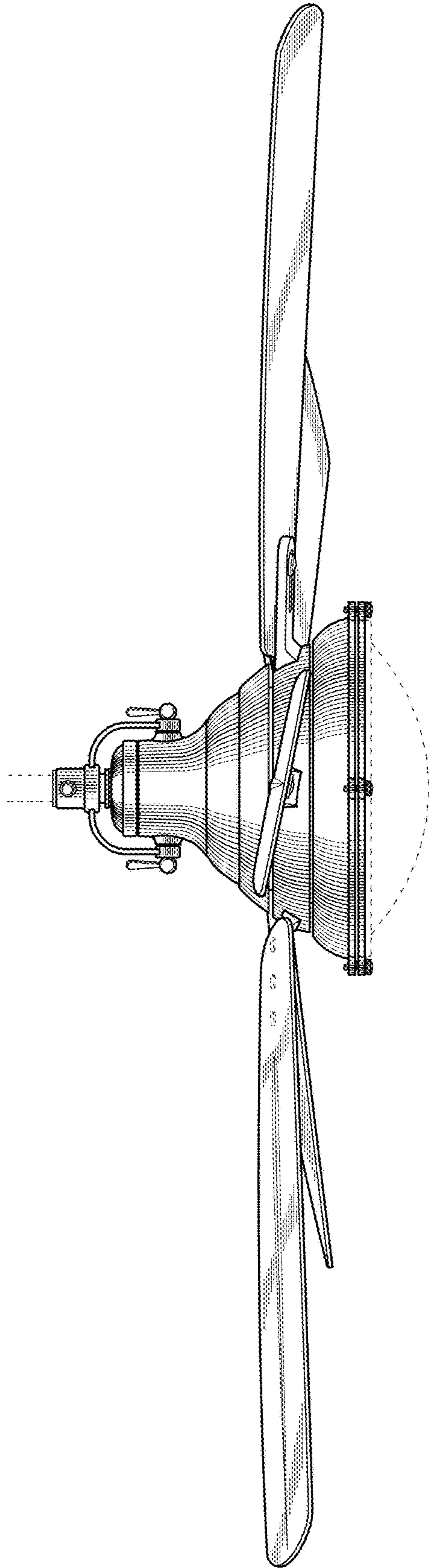


Fig. 4

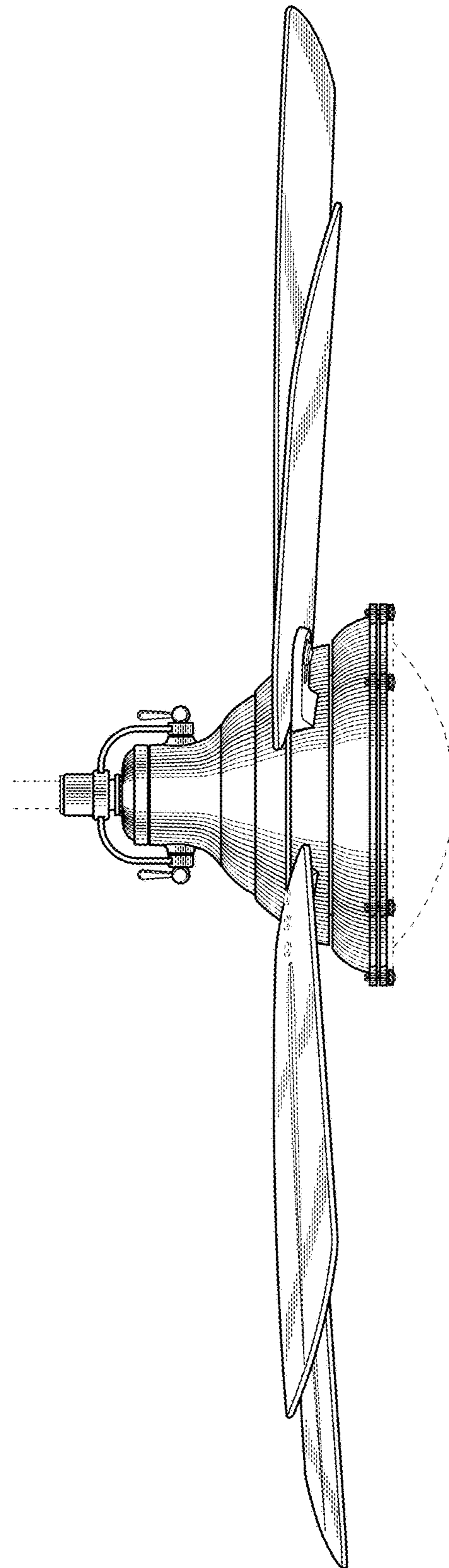


Fig. 5

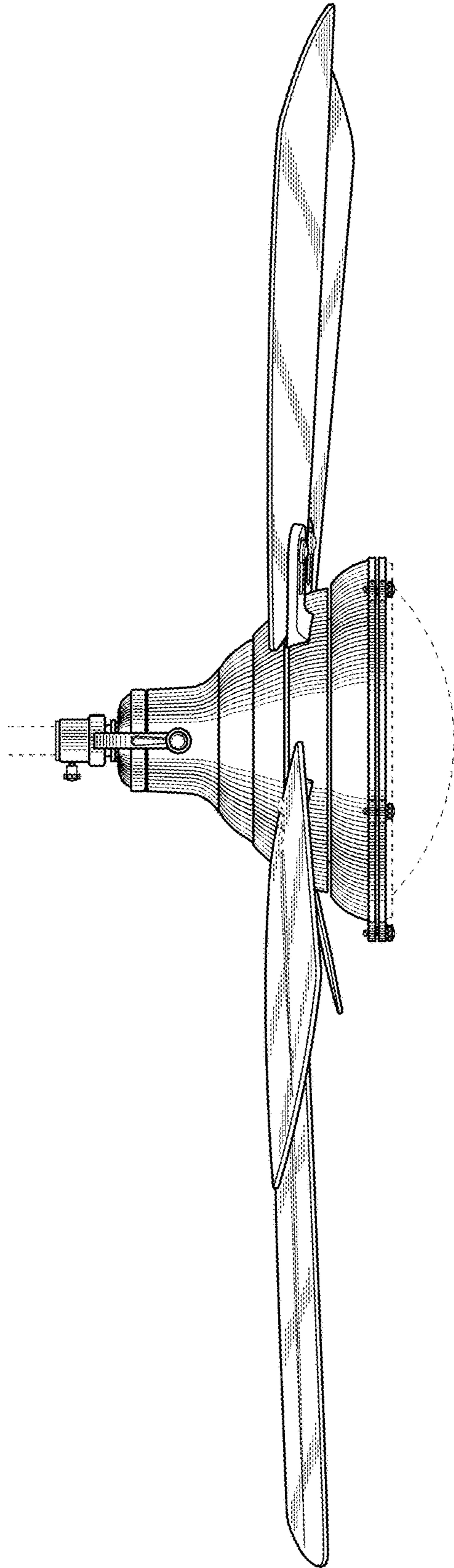


Fig. 6

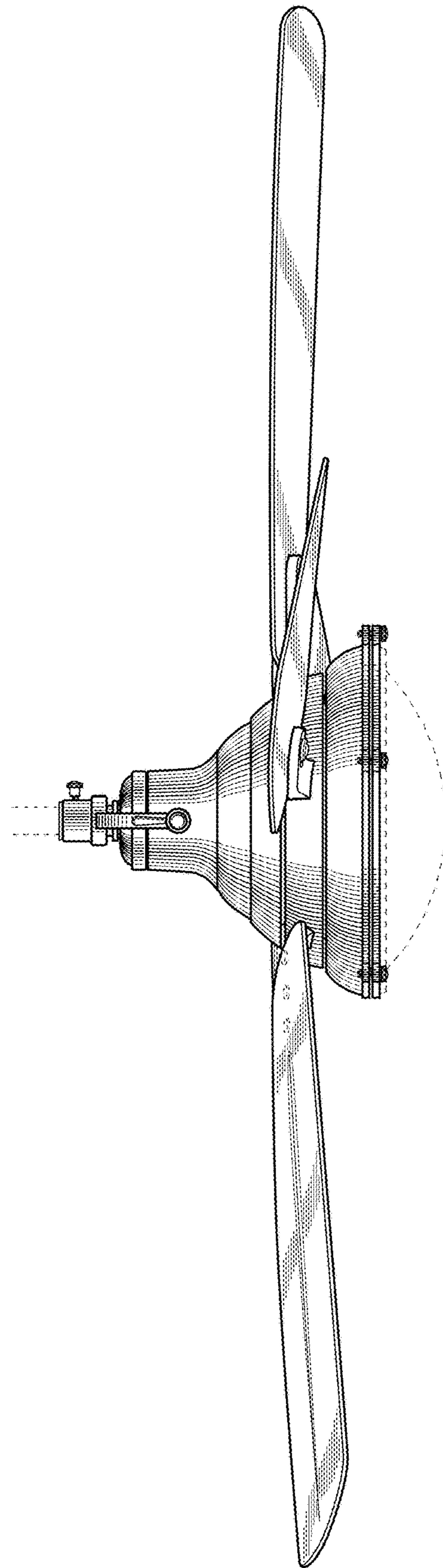


Fig. 7