



US00D851233S

(12) **United States Design Patent**
Gajewski

(10) **Patent No.:** **US D851,233 S**

(45) **Date of Patent:** **** Jun. 11, 2019**

(54) **CEILING FAN**

(71) Applicant: **Minka Lighting, Inc.**, Corona, CA
(US)

(72) Inventor: **Mark Gajewski**, Henderson, NV (US)

(73) Assignee: **Minka Lighting, Inc.**, Corona, CA
(US)

(**) Term: **15 Years**

(21) Appl. No.: **29/625,658**

(22) Filed: **Nov. 10, 2017**

(51) **LOC (11) Cl.** **23-04**

(52) **U.S. Cl.**
USPC **D23/377**

(58) **Field of Classification Search**
USPC D23/370–385, 411–414; D26/59
CPC F04D 25/088; F21V 33/0096
See application file for complete search history.

(56) **References Cited**

U.S. PATENT DOCUMENTS

- 1,133,191 A * 3/1915 Staples F04D 29/34
416/214 R
- 1,602,755 A * 10/1926 Delage B64C 11/065
416/214 R
- D131,699 S * 3/1942 Funk 416/202
- D344,129 S * 2/1994 Markwardt D23/377
- D535,011 S * 1/2007 Gajewski D23/377
- D535,387 S * 1/2007 Gajewski D23/413
- D536,083 S * 1/2007 Gajewski D23/377
- D671,203 S * 11/2012 Wang D23/377
- D716,438 S * 10/2014 Liu D23/377
- D721,430 S * 1/2015 Schulzman D23/377
- D726,297 S * 4/2015 Liu D23/377
- D744,634 S * 12/2015 Wang D23/411
- D745,956 S * 12/2015 Ertze D23/385
- D750,213 S * 2/2016 Schulzman D23/385
- D762,296 S * 7/2016 Badarello D23/377
- D780,902 S * 3/2017 Gajewski D23/377

- D782,644 S * 3/2017 Wang D23/377
- 9,605,685 B2 * 3/2017 Wang F04D 29/34
- D788,283 S * 5/2017 Busta D23/377
- D788,286 S * 5/2017 Busta D23/411
- D799,660 S * 10/2017 Jones D23/377
- D799,669 S * 10/2017 Wang D23/377
- D800,292 S * 10/2017 Hagggar D23/377
- D817,472 S * 5/2018 Schulzman D23/377

(Continued)

OTHER PUBLICATIONS

Minka-Aire Ceiling Fan Model F843 amazon.com 9 pgs Date First Available Apr. 3, 2013. [Retrieved Jan. 12, 2018] <https://www.amazon.com/Minka-Aire-F843-DK-Ceiling-Control-Distressed/dp/B00CIDP8AE>.

(Continued)

Primary Examiner — Cathron C Brooks

Assistant Examiner — Sharon S Oum

(74) *Attorney, Agent, or Firm* — Joseph R. Lanser; Seyfarth Shaw LLP

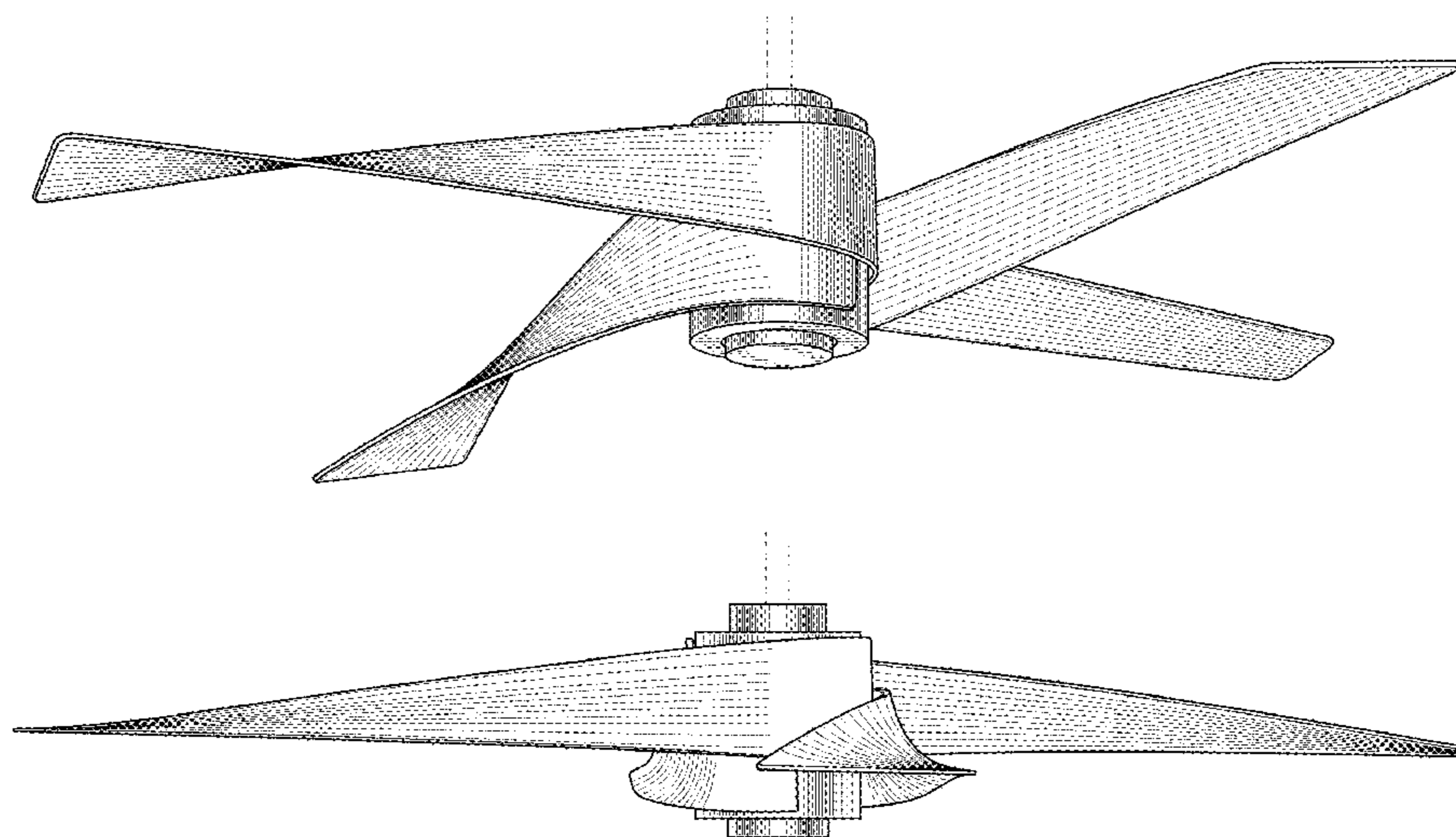
(57) **CLAIM**

The ornamental design for a ceiling fan, as shown and described.

DESCRIPTION

FIG. 1 is a perspective view of a ceiling fan in accordance with my design;
FIG. 2 is a top plan view thereof;
FIG. 3 is a bottom plan view thereof;
FIG. 4 is a front elevation view thereof;
FIG. 5 is a rear elevation view thereof;
FIG. 6 is a left-side elevation view thereof; and,
FIG. 7 is a right-side elevation view thereof.
The lighter and closely spaced lines in the drawings are surface shading and are not surface ornamentation.
The broken lines in the drawings illustrate portions of the ceiling fan that form no part of the claimed design.

1 Claim, 5 Drawing Sheets



(56)

References Cited

U.S. PATENT DOCUMENTS

D818,572 S * 5/2018 Gajewski D23/377
D819,799 S * 6/2018 Wang D23/377
D828,535 S * 9/2018 Searle D23/377
2007/0104583 A1 * 5/2007 Gajewski F04D 25/088
416/210 R

OTHER PUBLICATIONS

Minka-Aire Artemis Ceiling Fan Model F803-L amazon.com 8 pgs
Date First Available Mar. 30, 2017. [Retrieved Jan. 12, 2018].
<https://www.amazon.com/Minka-Aire-F803L-MP-Artemis-Ceiling-Control/dp/B06XY8N4M9>.

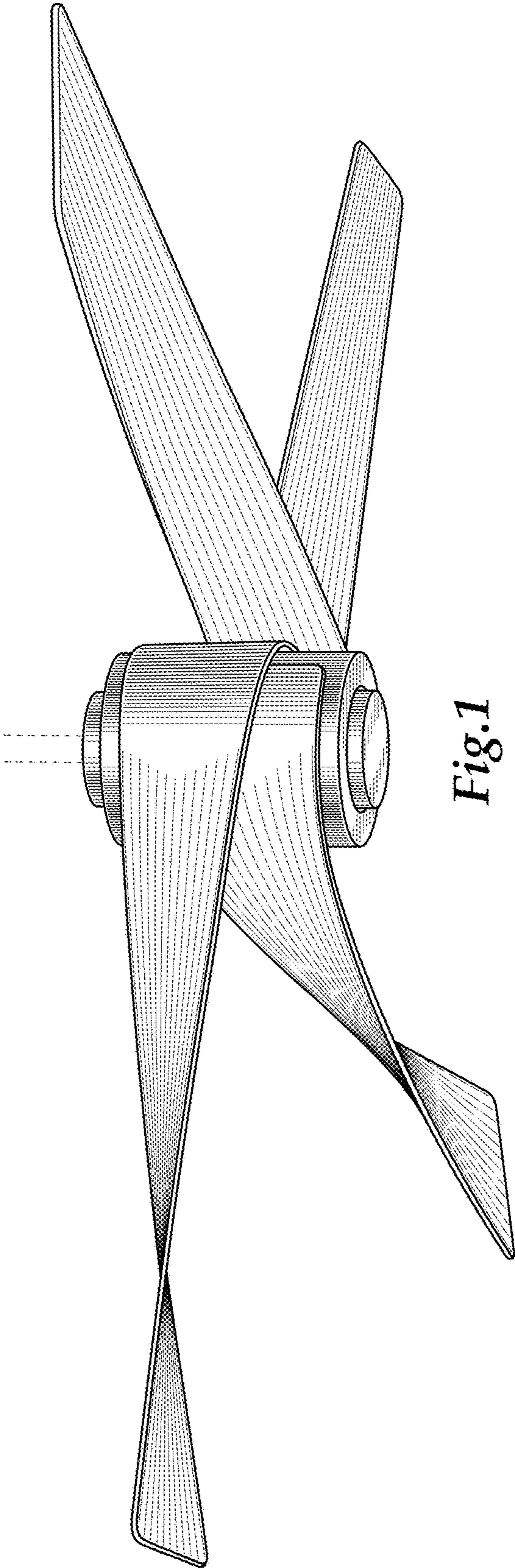
Minka-Aire Artemis Ceiling Fan Model F905L. amazon.com 9 pgs
Date First Available Mar. 30, 2017. [Retrieved Jan. 12, 2018].
<https://www.amazon.com/Minka-Aire-F905L-DK-Artemis-Distressed-Ceiling/dp/B06XY6F27G>.

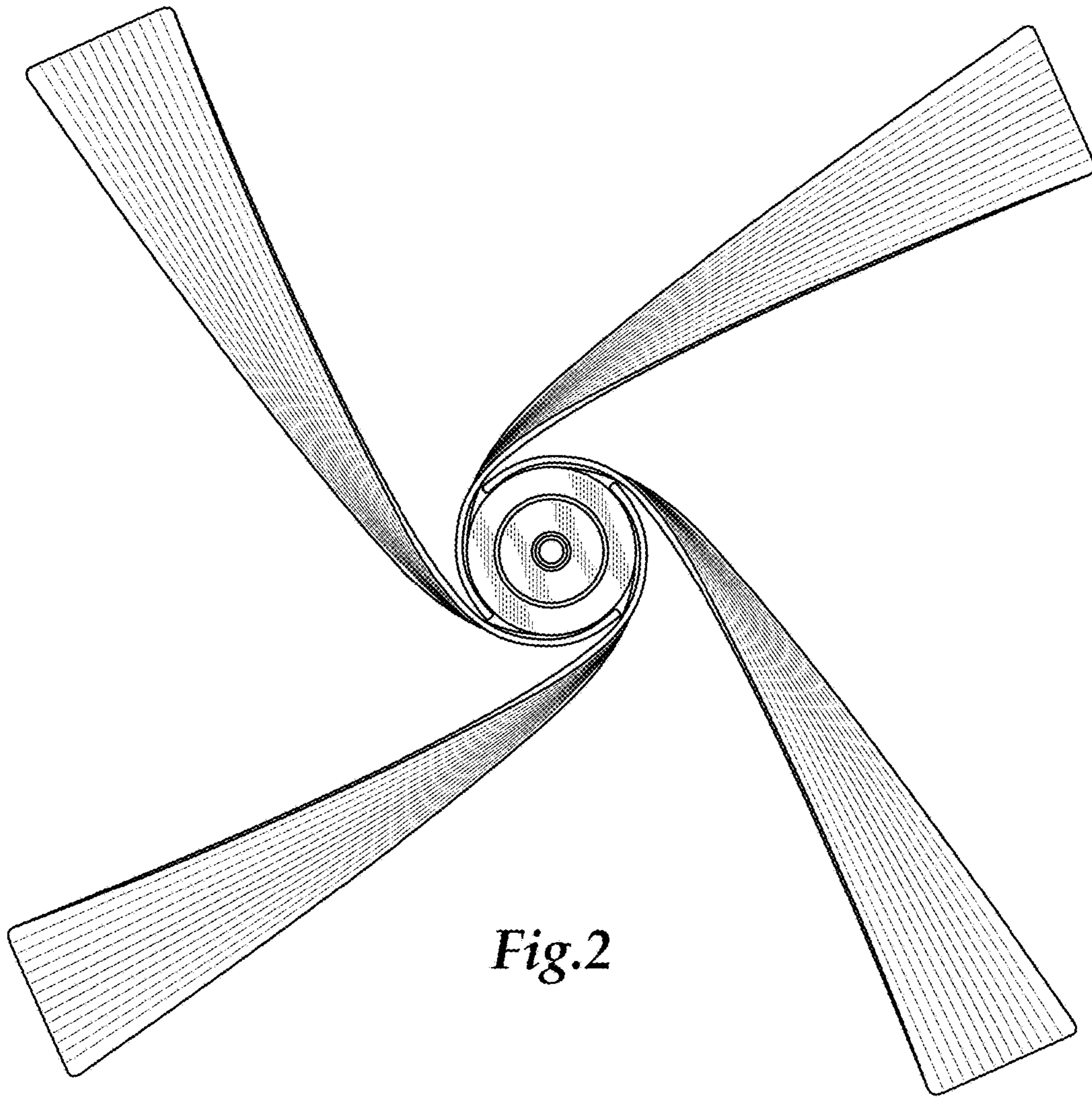
Fanimation Torto Ceiling Fan Model FP7900MG. amazon.com 11
pgs Date First Available Mar. 14, 2009. [Retrieved Jan. 12, 2018].
<https://www.amazon.com/Fanimation-Torto-Metro-Remote-FP7900MG/dp/B002O0EVUO>.

Monte Carlo Ceiling Fan Model 3MER56AGPD amazon.com 5 pgs
Date First Available Jun. 26, 2017. [Retrieved Jan. 12, 2018]
<https://www.amazon.com/Monte-Carlo-Fans-3MER56AGPD-Melody/dp/B073C3GN2P>.

Wind River Ceiling Fan Model WR1461MB amazon.com 5 pgs
Date First Available Feb. 2, 2017. [Retrieved Jan. 12, 2018]
<https://www.amazon.com/Wind-River-WR1461MB-Ceiling-Control/dp/B01N3ASLMP>.

* cited by examiner





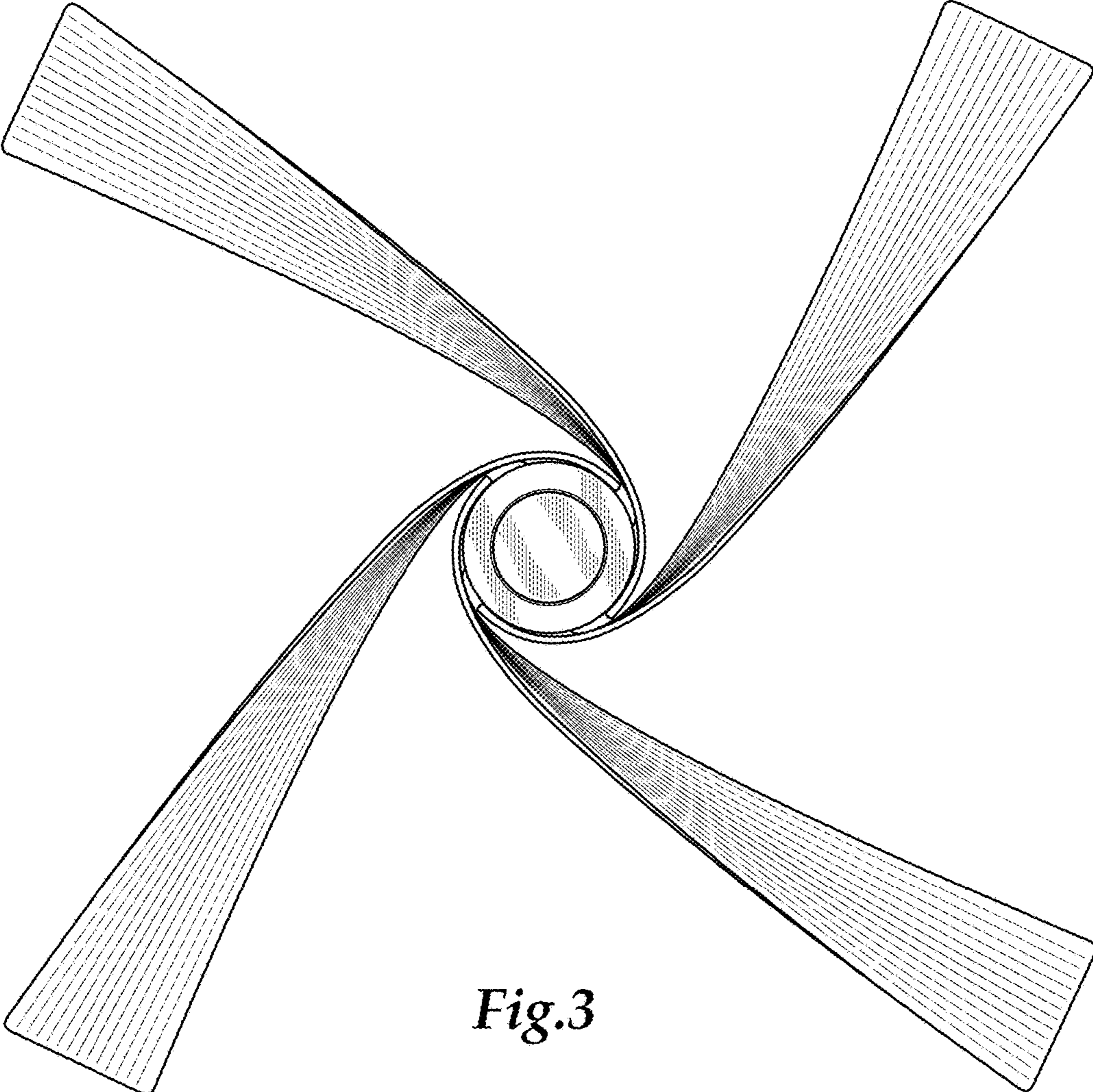


Fig.3

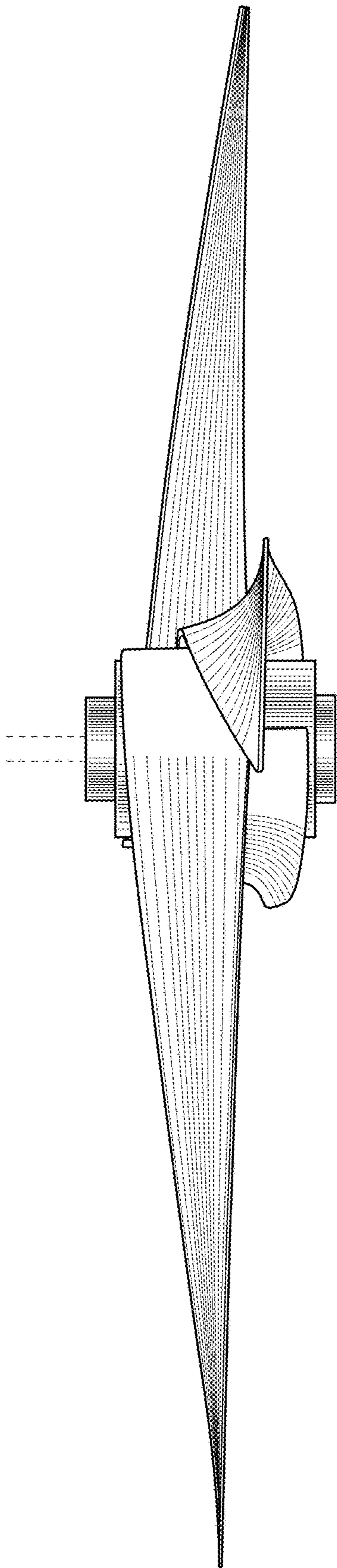


Fig. 4

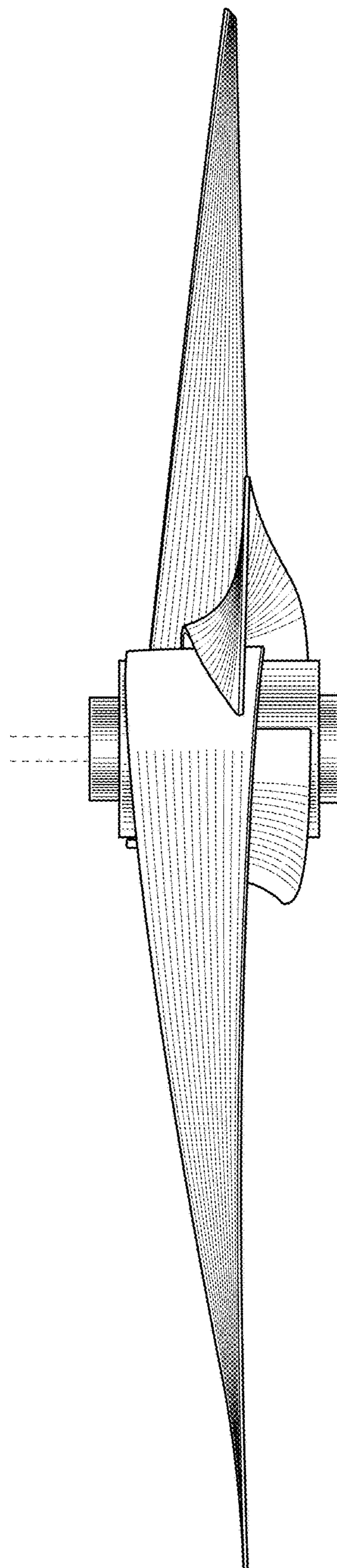


Fig. 5

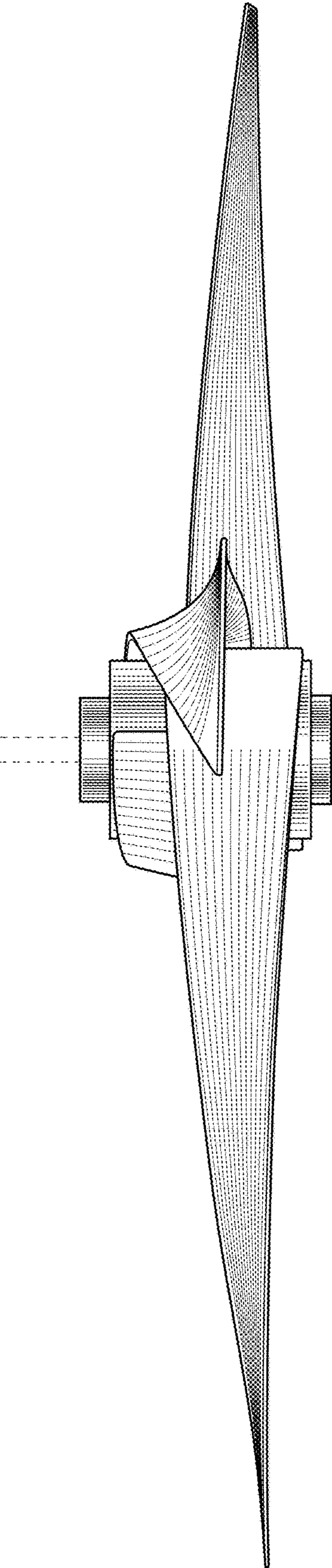


Fig. 6

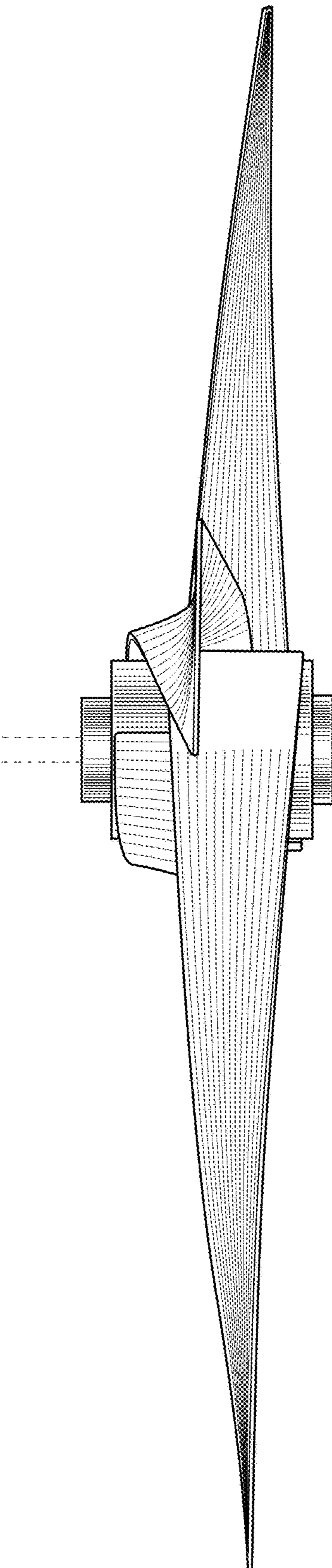


Fig. 7