



US00D851230S

(12) **United States Design Patent**
Li

(10) **Patent No.:** **US D851,230 S**
(45) **Date of Patent:** **** Jun. 11, 2019**

- (54) **AROMA DIFFUSER**
- (71) Applicant: **Bloomy Lotus Ltd**, Hong Kong (HK)
- (72) Inventor: **Dong Sheng Li**, Hong Kong (HK)
- (73) Assignee: **Bloomy Lotus Ltd**, Hong Kong (HK)
- (**) Term: **15 Years**
- (21) Appl. No.: **29/622,854**
- (22) Filed: **Oct. 20, 2017**

D752,727 S *	3/2016	Tracey	D23/360
D769,036 S *	10/2016	Manea	D6/692.3
D788,900 S *	6/2017	Hendifar	D23/366
D831,807 S *	10/2018	Baek	D23/356

(30) **Foreign Application Priority Data**

Apr. 20, 2017 (HK) 1700743.4M002

(51) **LOC (11) Cl.** **28-99**

(52) **U.S. Cl.**
USPC **D23/366**

(58) **Field of Classification Search**
USPC D23/314, 325, 333-336, 355-367,
D23/386-388

CPC . A61L 9/03; A61L 9/012; A61L 9/015; A61L
9/037

See application file for complete search history.

(56) **References Cited**

U.S. PATENT DOCUMENTS

D389,947 S *	1/1998	Hutton	D26/110
D515,359 S *	2/2006	Andrews	D7/523
D580,028 S *	11/2008	Catrino	D23/332
D589,178 S *	3/2009	Conway	D26/20
D620,575 S *	7/2010	Jorgensen	D23/366
D689,175 S *	9/2013	Wulf	D23/333
D745,738 S *	12/2015	Abdelmaseh	D27/162

OTHER PUBLICATIONS

Bloomy Lotus Leaf Ultrasonic Diffuser found online [Nov. 3, 2018]—<https://bloomylotus.com/ultrasonic-aroma-diffusers/>.*

* cited by examiner

Primary Examiner — Lakiya G Rogers
Assistant Examiner — John A Voytek

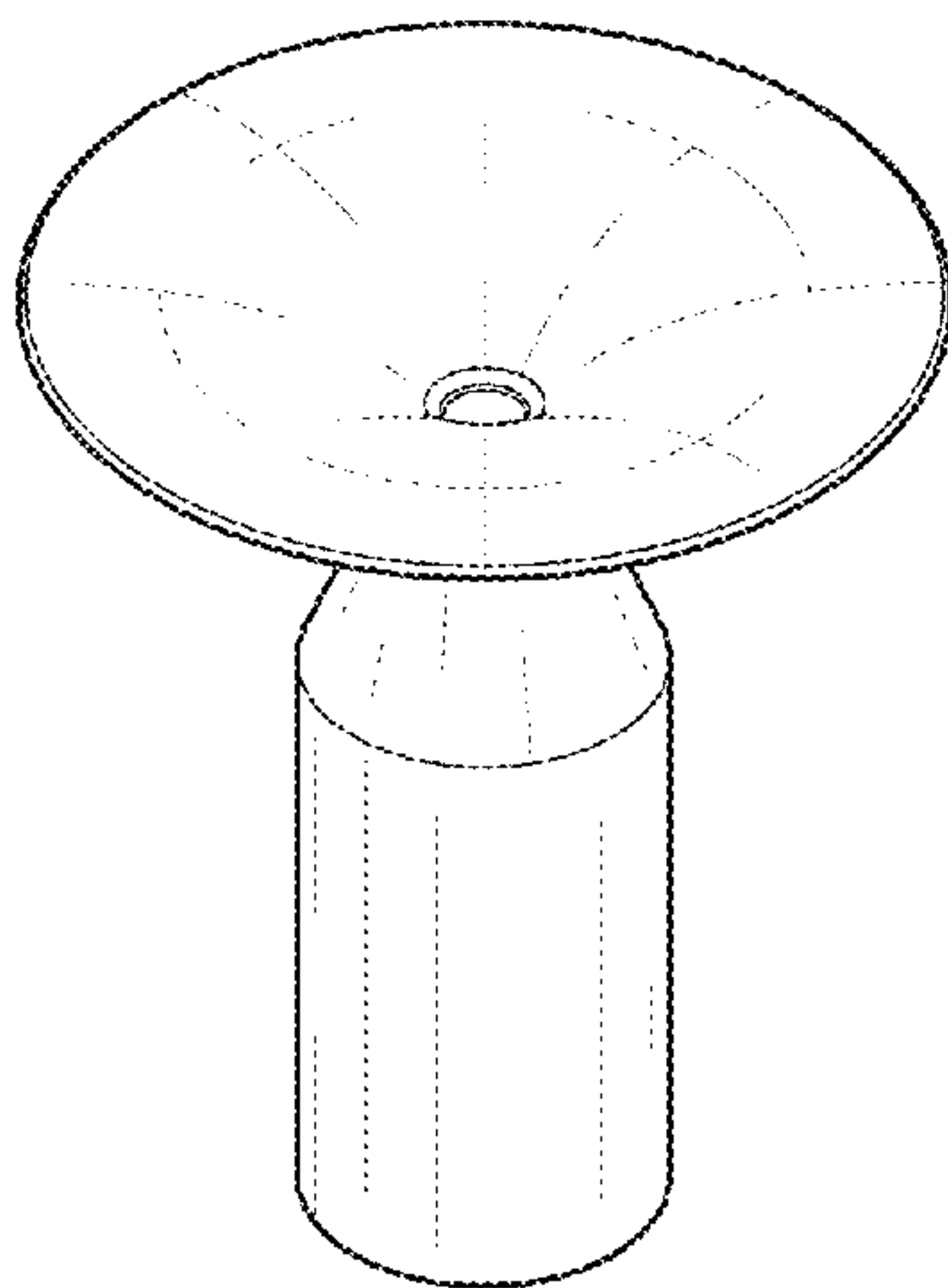
(57) **CLAIM**

The ornamental design for an aroma diffuser, as shown and described.

DESCRIPTION

FIG. 1 is a front elevational view of an aroma diffuser showing my new design;
FIG. 2 is a rear elevational view thereof;
FIG. 3 is a left side view thereof;
FIG. 4 is a right side view thereof;
FIG. 5 is a top plan view thereof;
FIG. 6 is a bottom plan view thereof;
FIG. 7 is a first perspective view thereof; and,
FIG. 8 is a second perspective view thereof.
The broken lines in the drawings illustrate portions of the aroma diffuser which form no part of the claimed design.

1 Claim, 8 Drawing Sheets



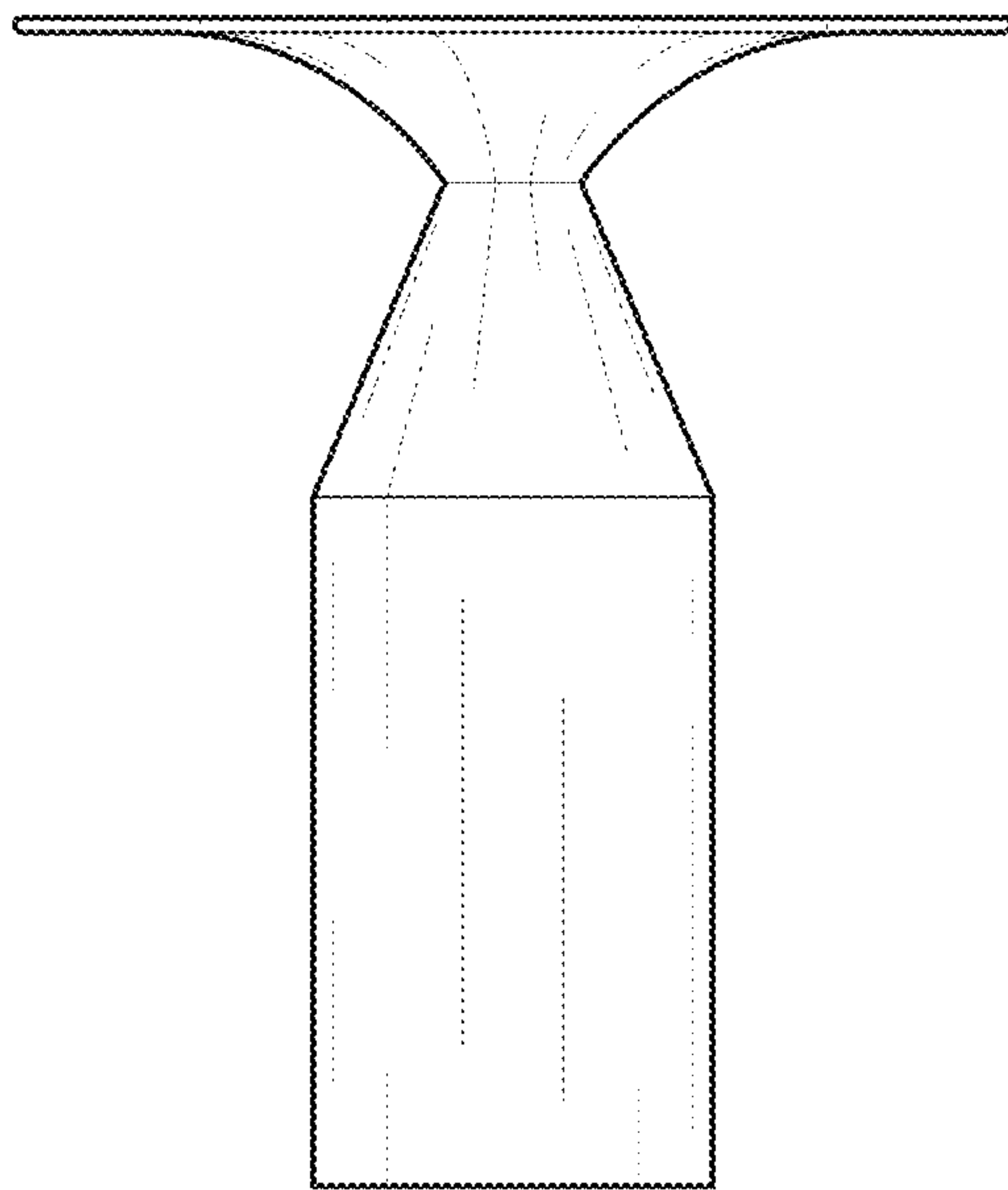


Fig. 1

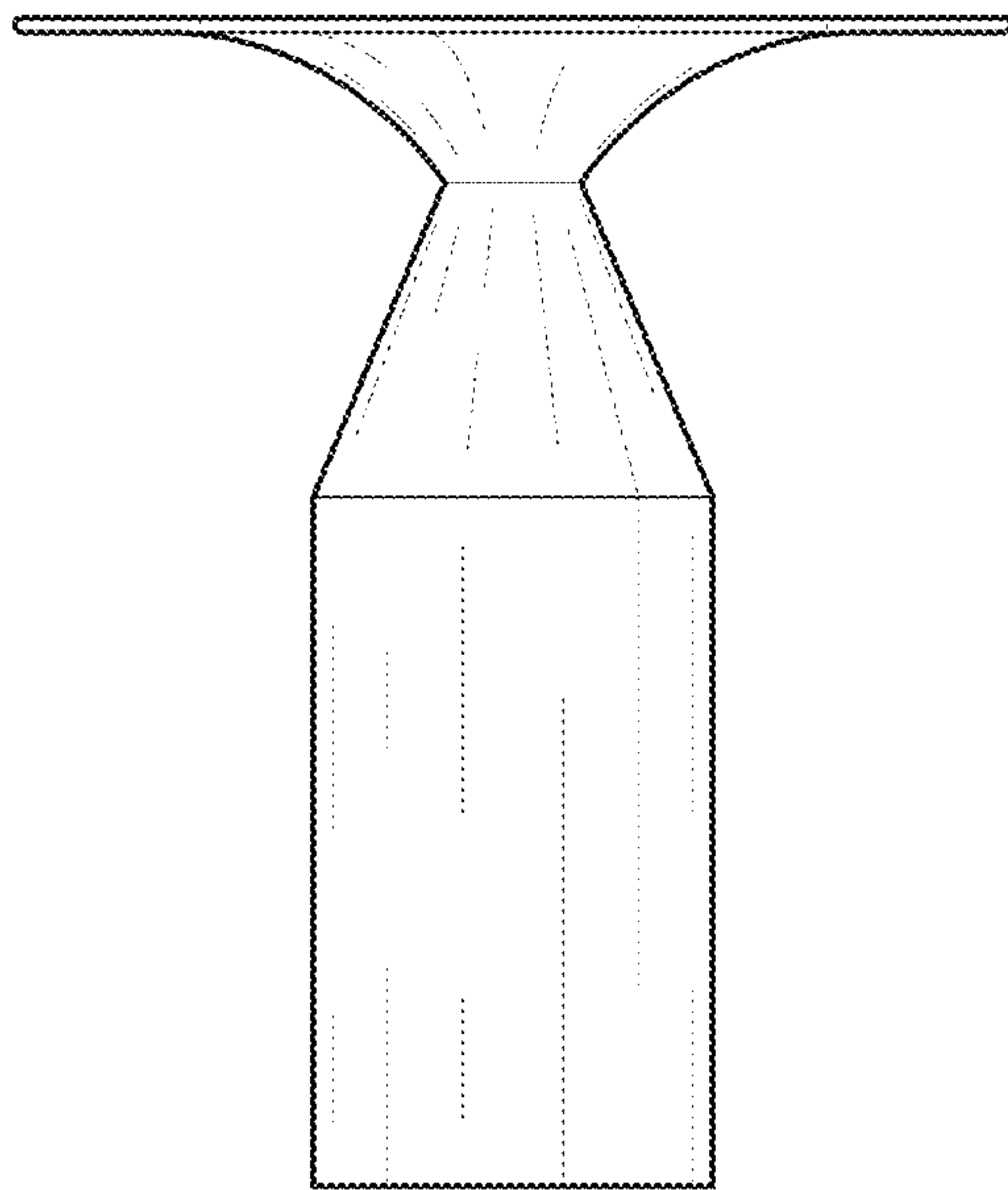


Fig. 2

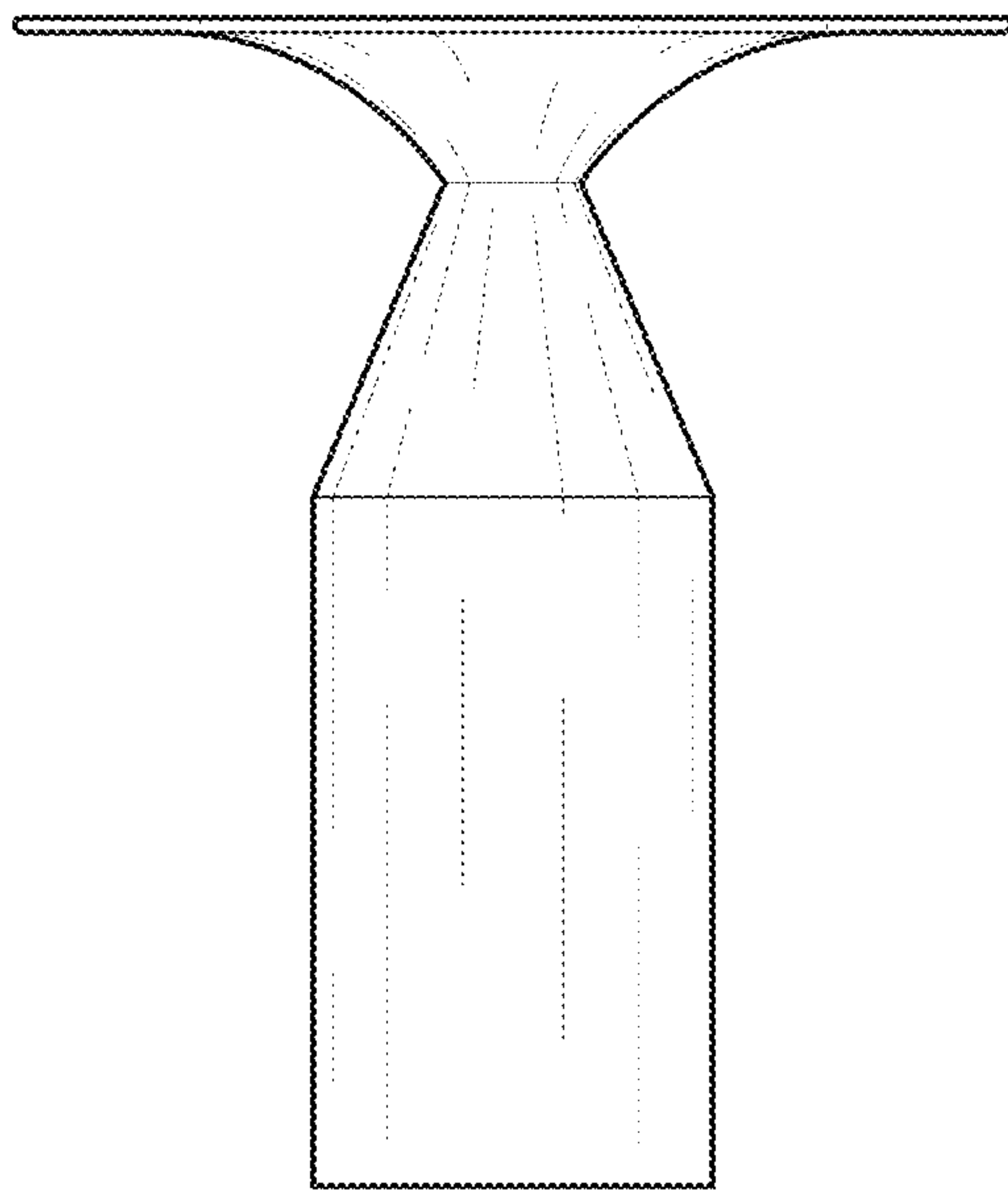


Fig. 3

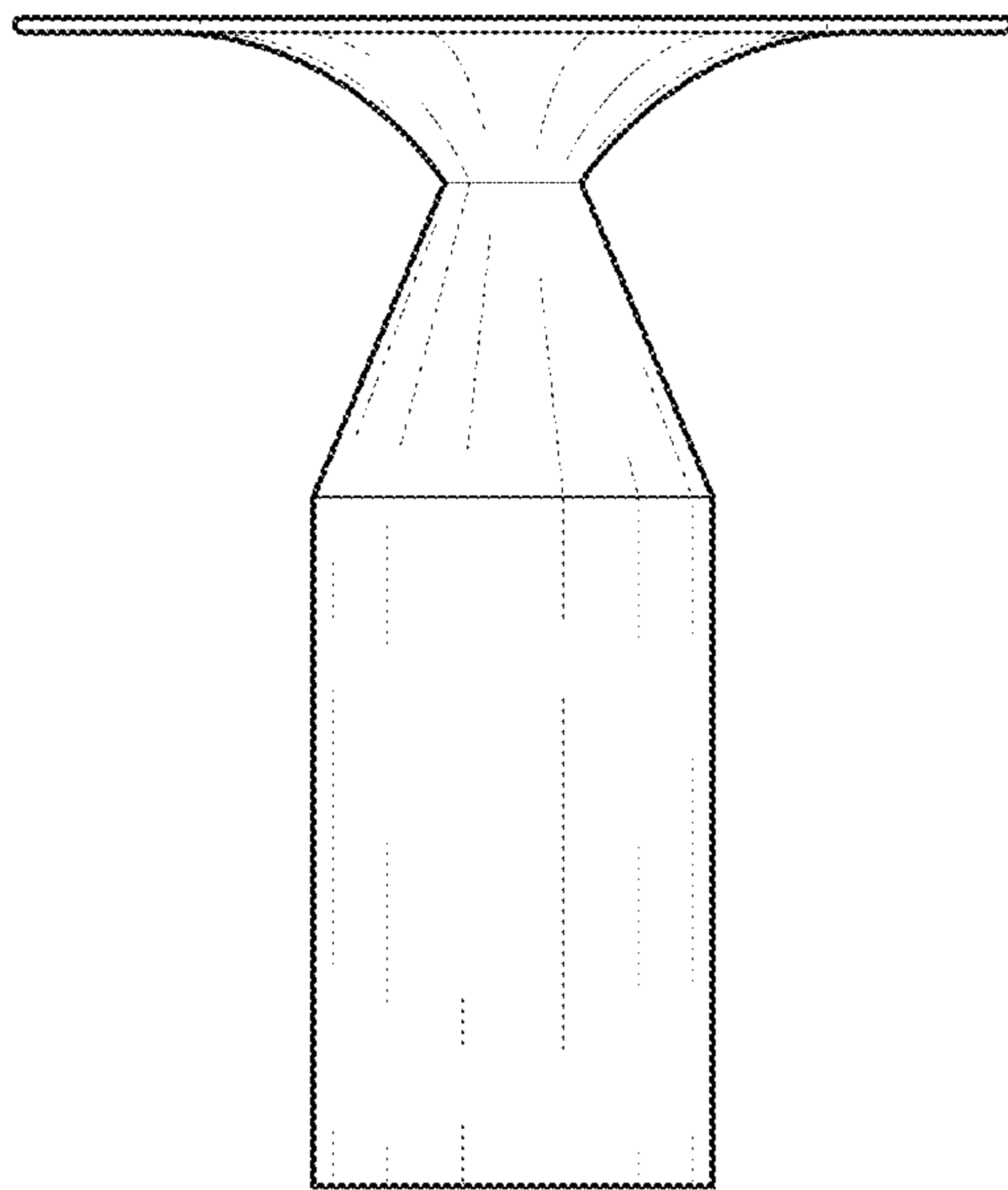


Fig. 4

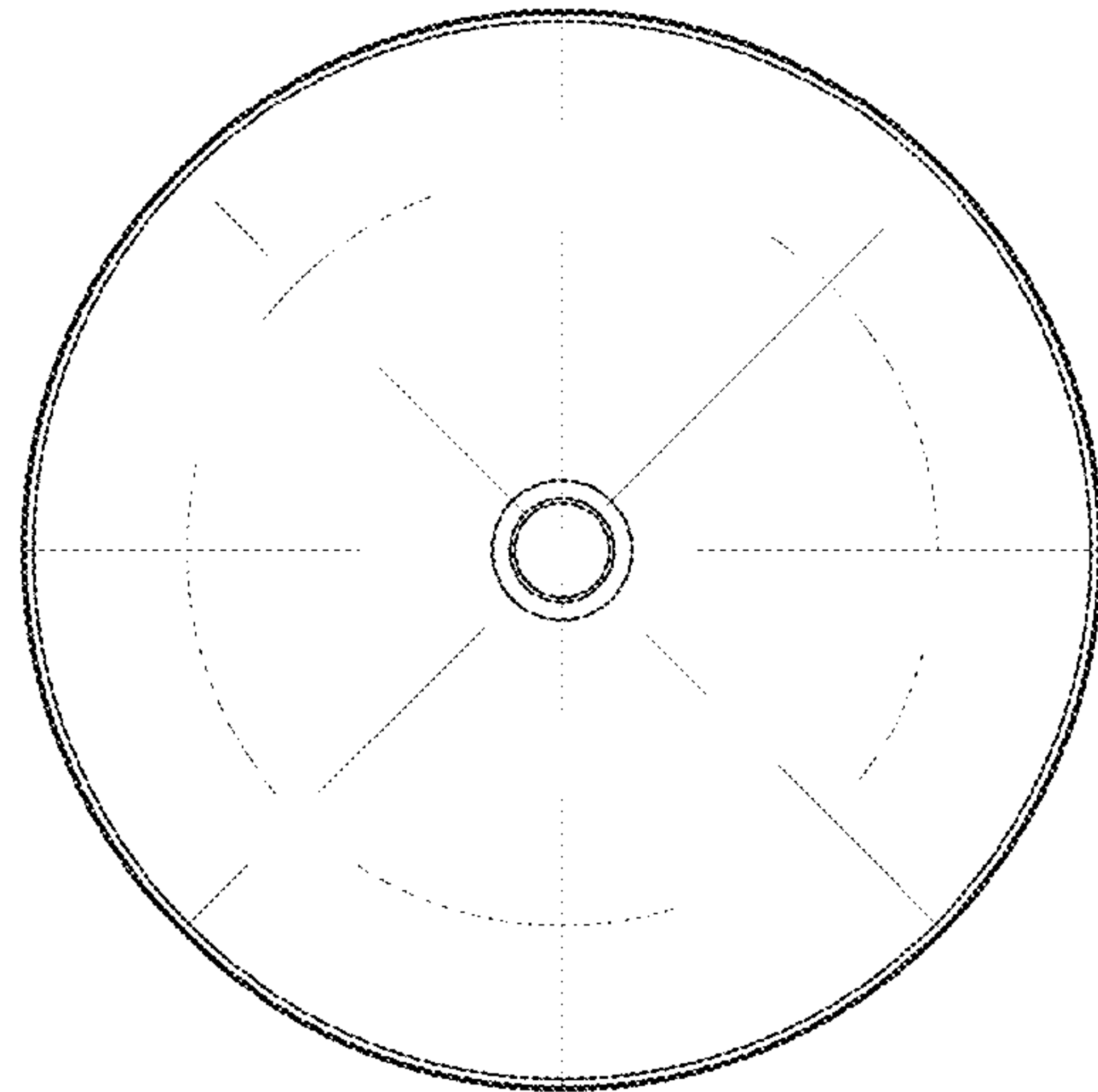


Fig. 5

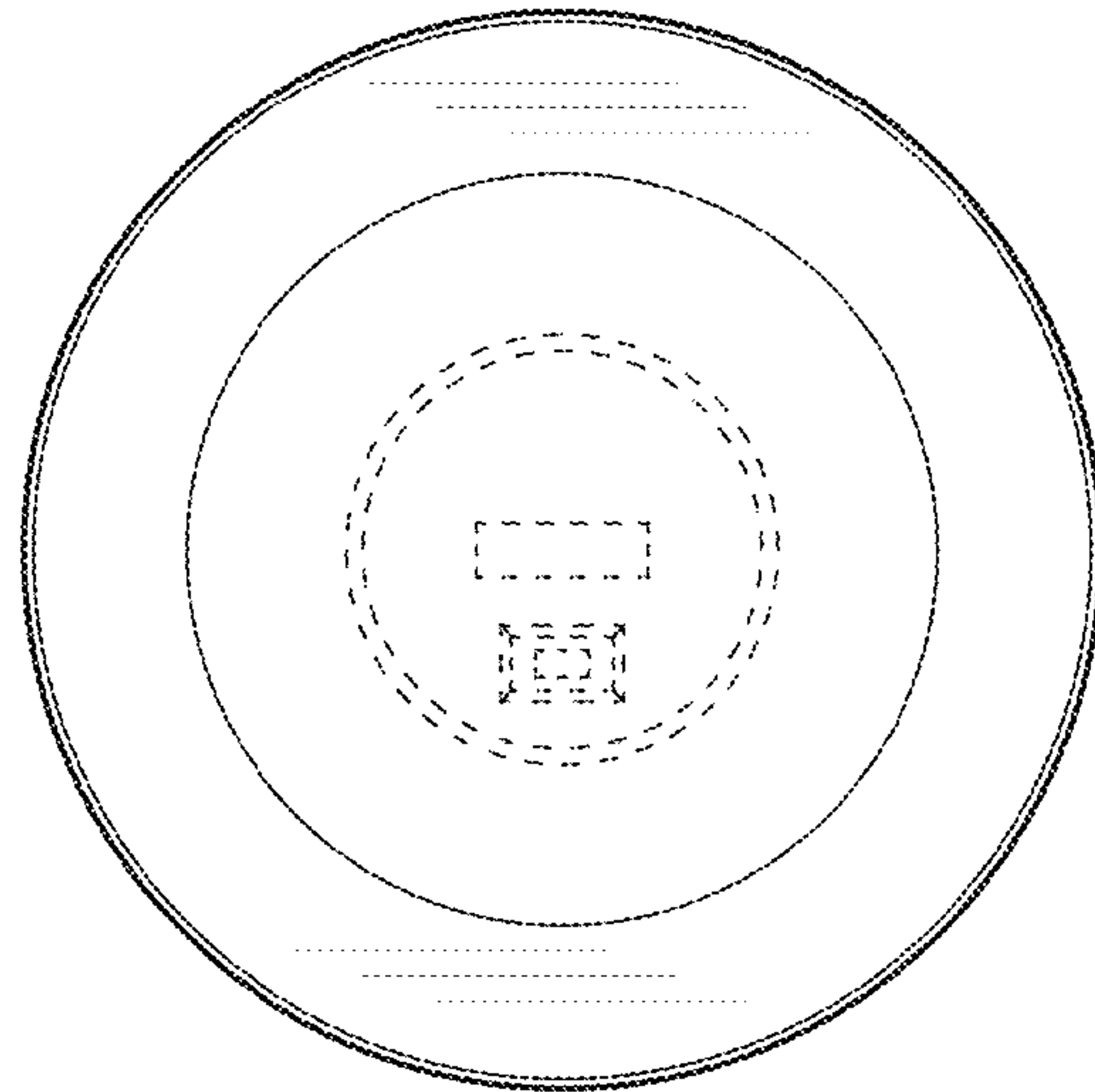


Fig. 6

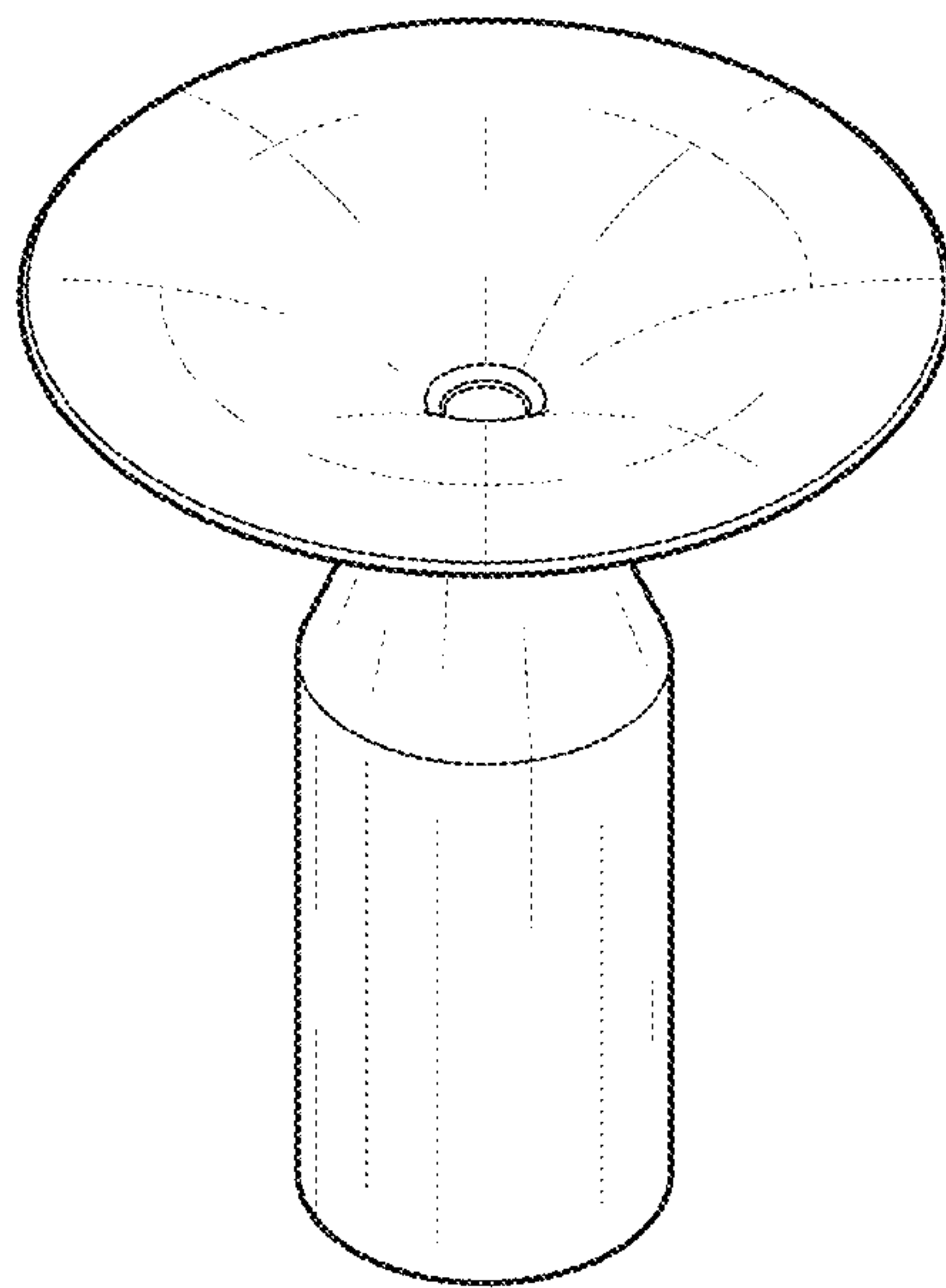


Fig. 7

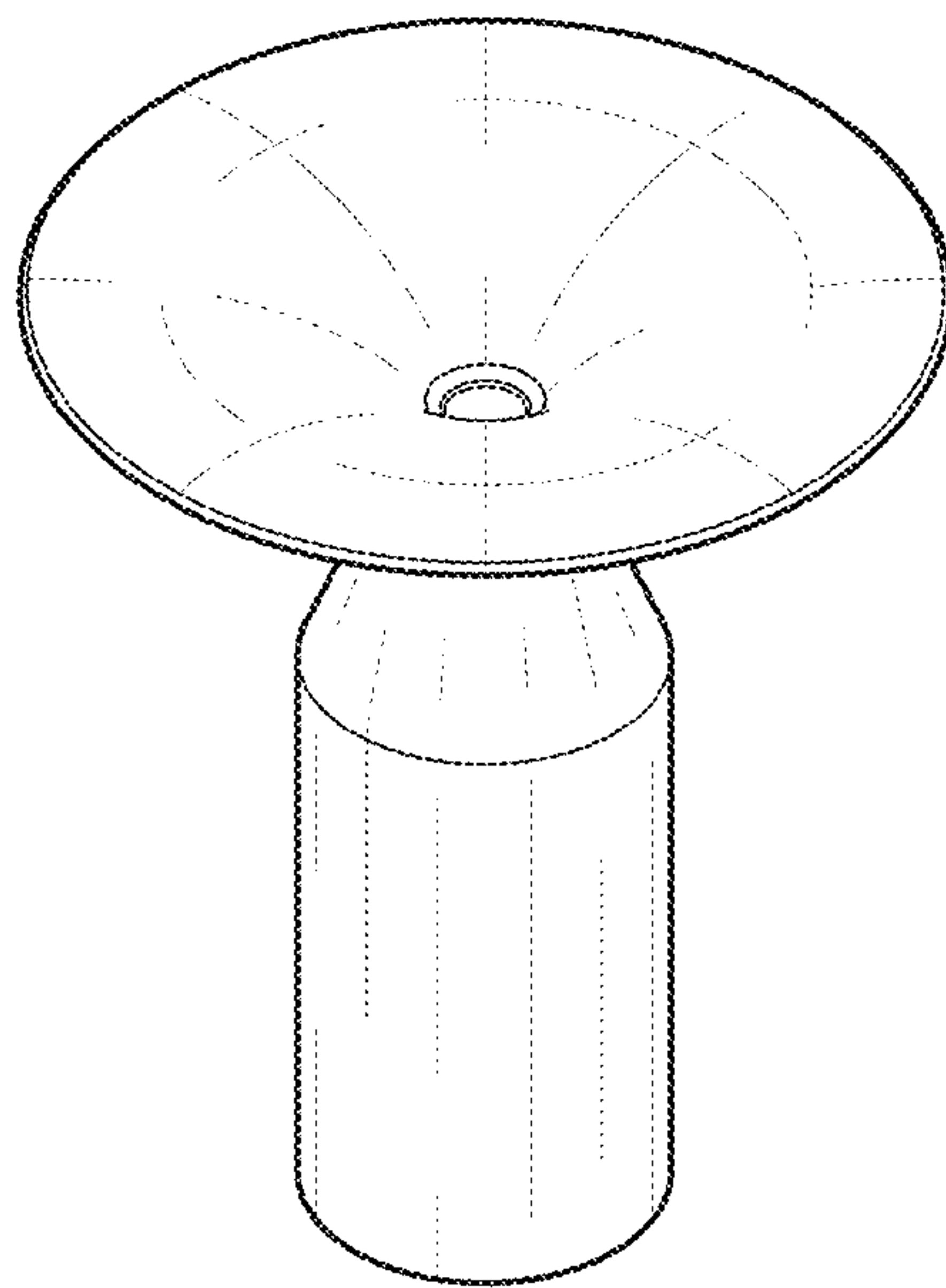


Fig. 8