



US00D851226S

(12) **United States Design Patent** (10) **Patent No.:** **US D851,226 S**
Rejkowski et al. (45) **Date of Patent:** **** Jun. 11, 2019**

(54) **BULK HEAD VEHICLE ACCESSORY**

(71) Applicants: **Michael W Rejkowski**, Irving, TX (US); **Stephen J Sexton**, McKinney, TX (US)

(72) Inventors: **Michael W Rejkowski**, Irving, TX (US); **Stephen J Sexton**, McKinney, TX (US)

(73) Assignee: **Classic Auto Air Manufacturing LP**, Beachwood, OH (US)

(**) Term: **15 Years**

(21) Appl. No.: **29/637,614**

(22) Filed: **Feb. 20, 2018**

(51) **LOC (11) Cl.** **12-16**

(52) **U.S. Cl.**
USPC **D23/324**

(58) **Field of Classification Search**
USPC D23/324, 325, 327, 393, 386; D12/415, D12/190, 192, 195
CPC B60H 1/00542; B60H 1/0055; B60H 1/00357; B60H 1/00271; B60H 1/34; B60H 1/3407; B60H 1/3442; B60H 1/3428

See application file for complete search history.

(56) **References Cited**

U.S. PATENT DOCUMENTS

D33,233 S * 9/1900 Downe D23/386
D328,875 S * 8/1992 Perkins D10/121

D437,770 S * 2/2001 Garske D8/349
D755,099 S * 5/2016 Suzuki D12/192
9,707,826 B2 * 7/2017 Brinas B60H 1/34
2015/0202946 A1 * 7/2015 Inagaki B60H 1/3428
454/154
2018/0126825 A1 * 5/2018 Lee B60H 1/3428

* cited by examiner

Primary Examiner — T Chase Nelson

Assistant Examiner — Ania Aman

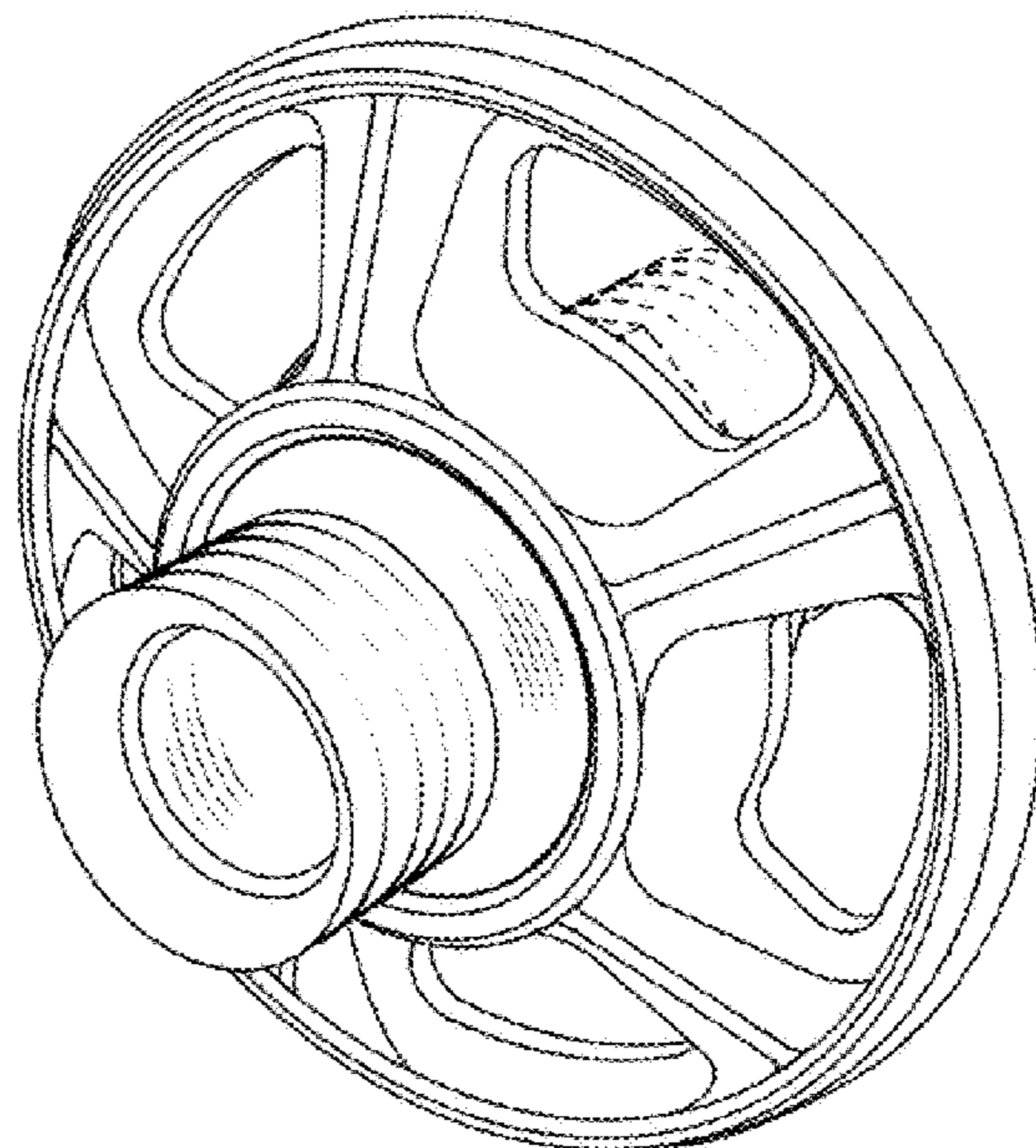
(57) **CLAIM**

The ornamental design for a bulk head vehicle accessory, as shown and described.

DESCRIPTION

FIG. 1 is a perspective front view of a bulk head vehicle accessory showing our new design;
FIG. 2 is a top plan view of the bulk head vehicle accessory of FIG. 1;
FIG. 3 is a front elevation view of the bulk head vehicle accessory of FIG. 1;
FIG. 4 is a right side elevation view of the bulk head vehicle accessory of FIG. 1;
FIG. 5 is a left side elevation view of the bulk head vehicle accessory of FIG. 1;
FIG. 6 is a bottom plan view of the bulk head vehicle accessory of FIG. 1; and,
FIG. 7 is a rear elevation view of the bulk head vehicle accessory of FIG. 1.
In the drawings, the broken lines depict unclaimed subject matter only and form no part of the claimed design.

1 Claim, 2 Drawing Sheets



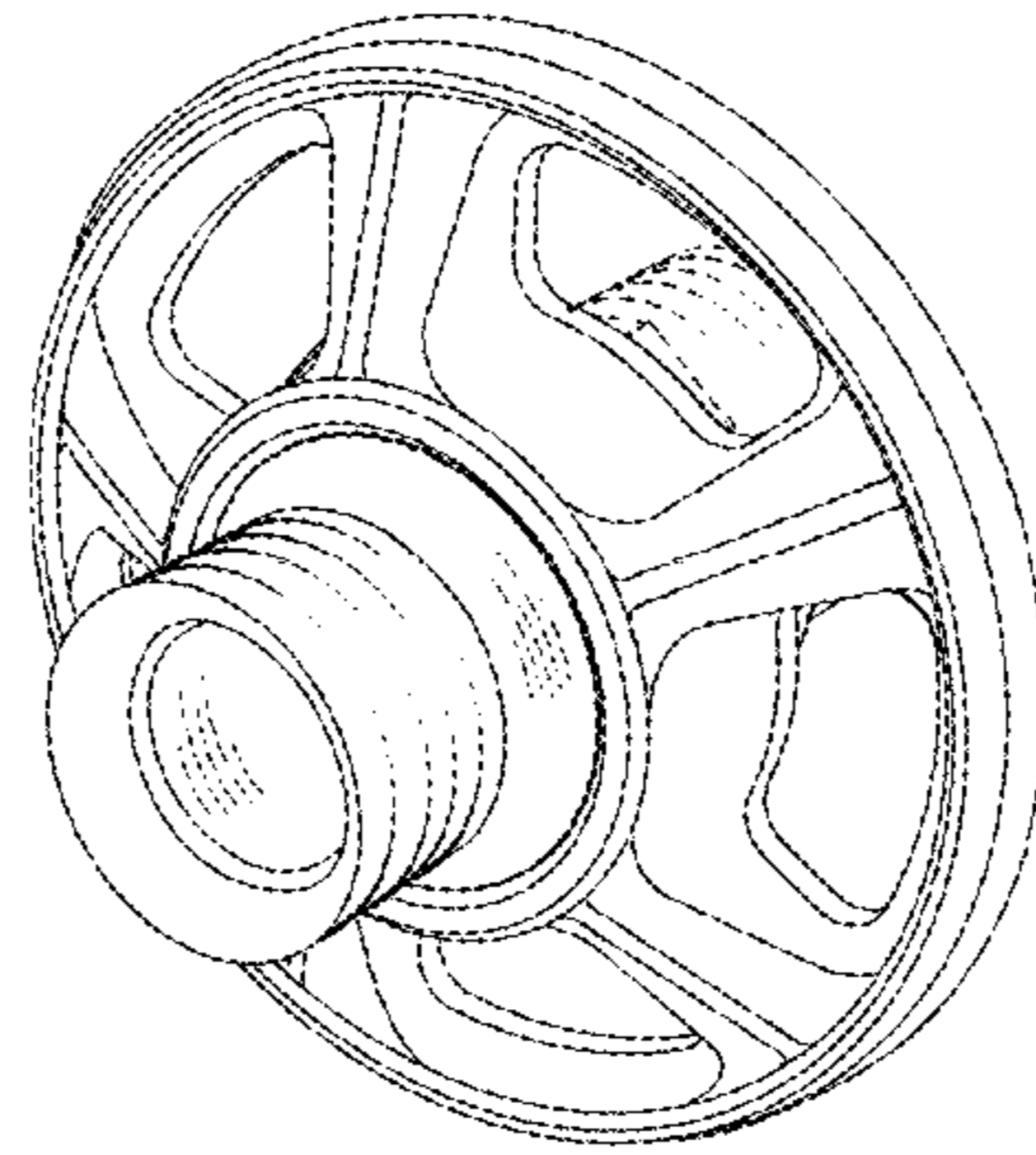


Fig.1

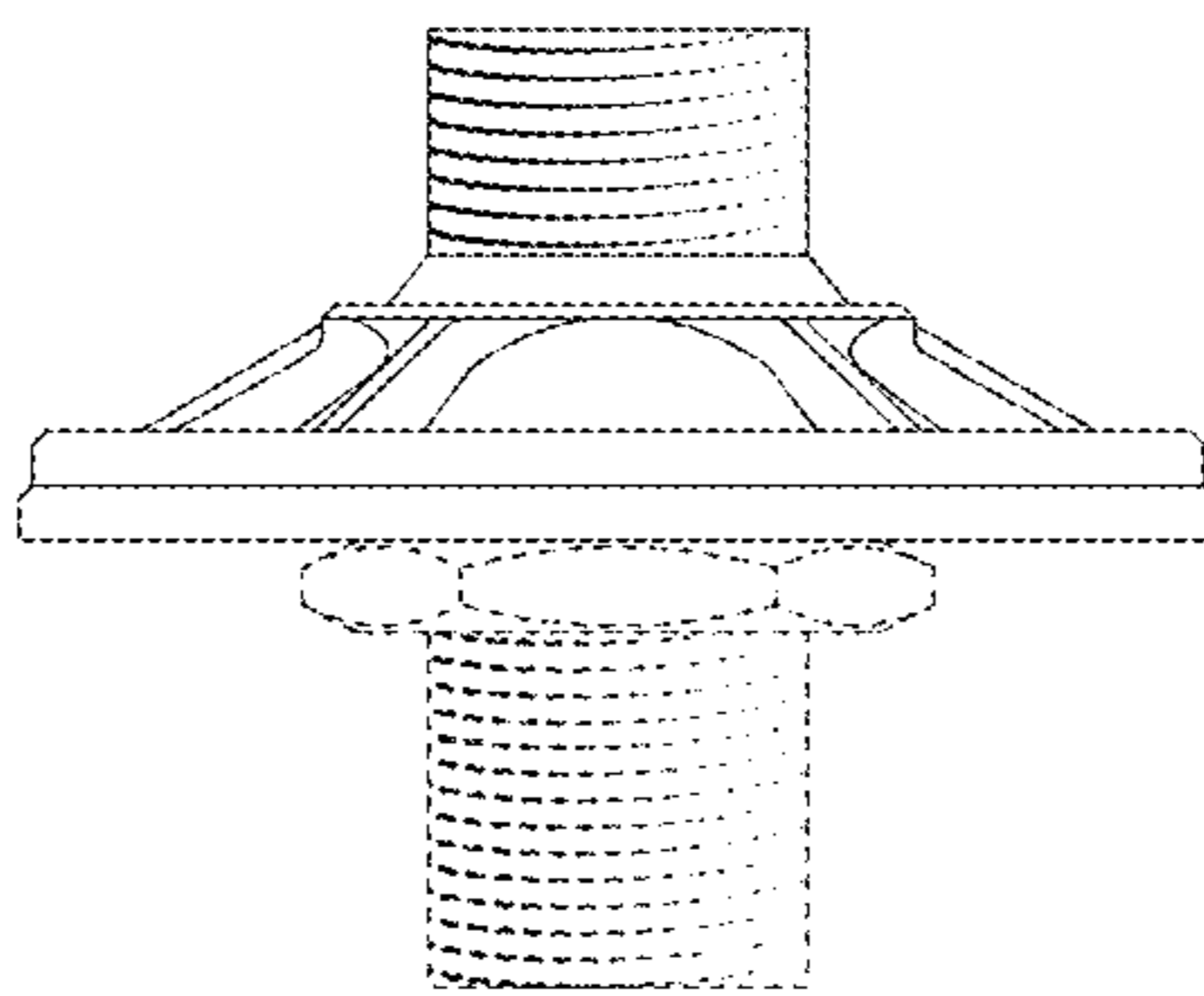


Fig.2

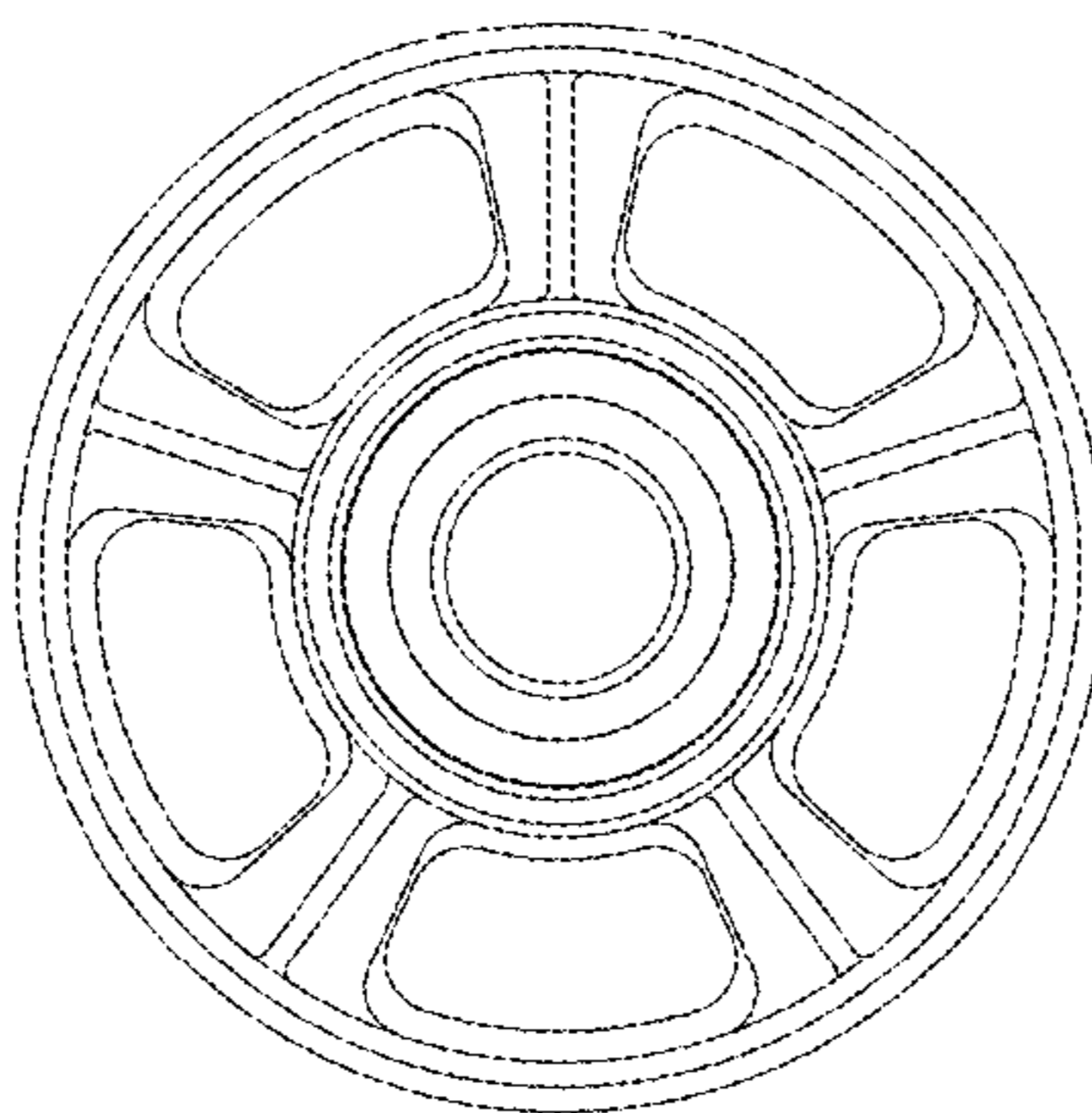


Fig.3

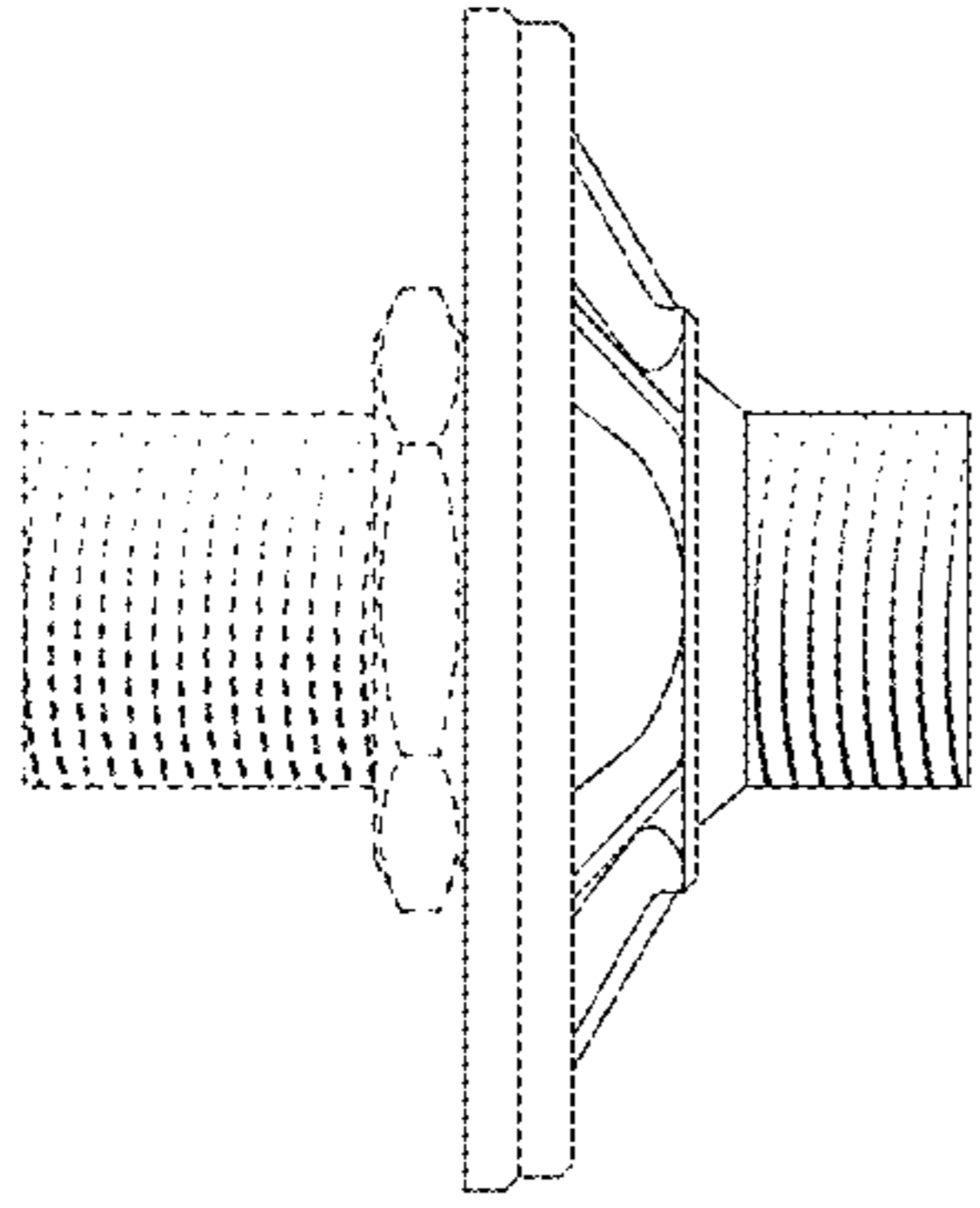


Fig.4

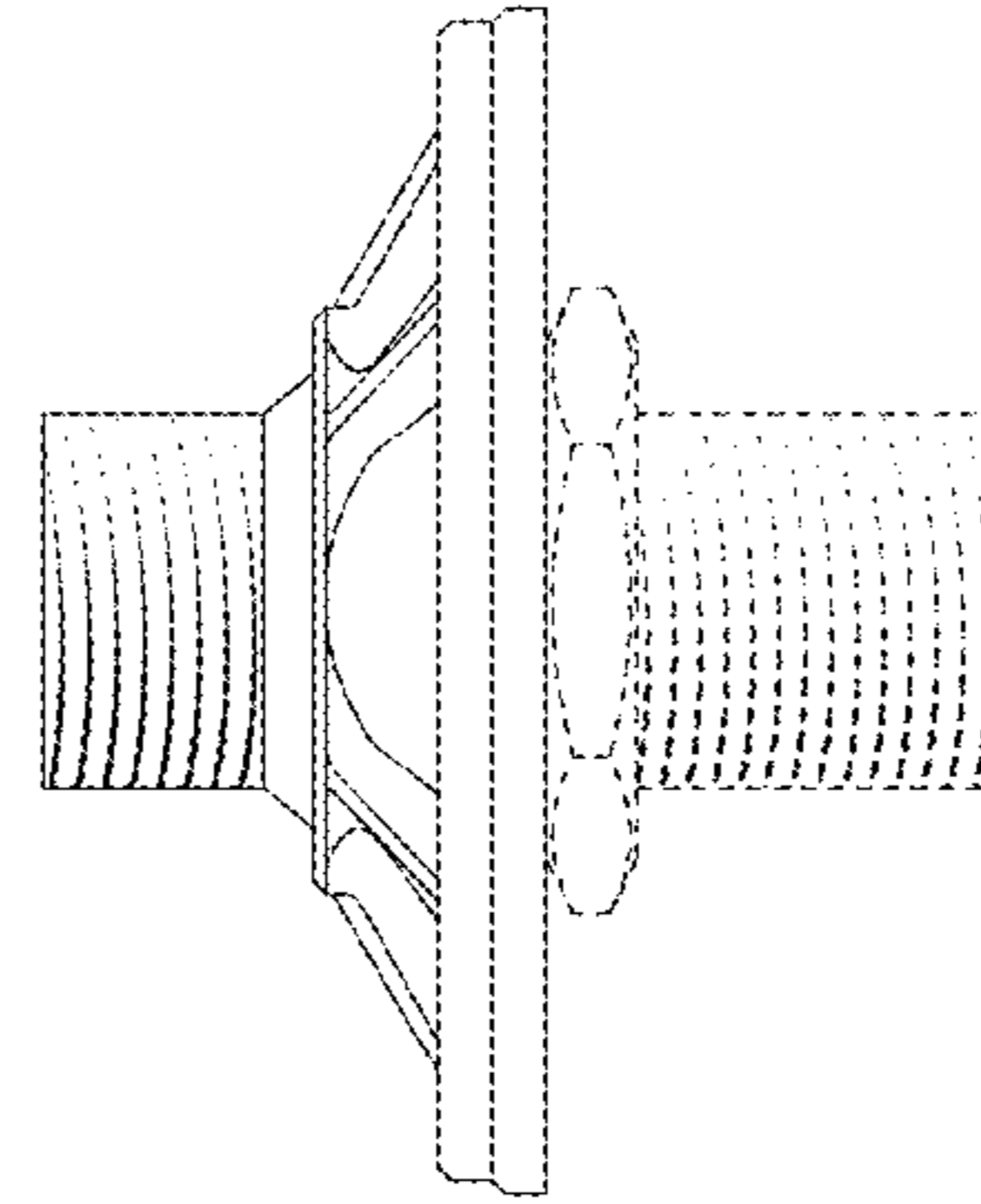


Fig.5

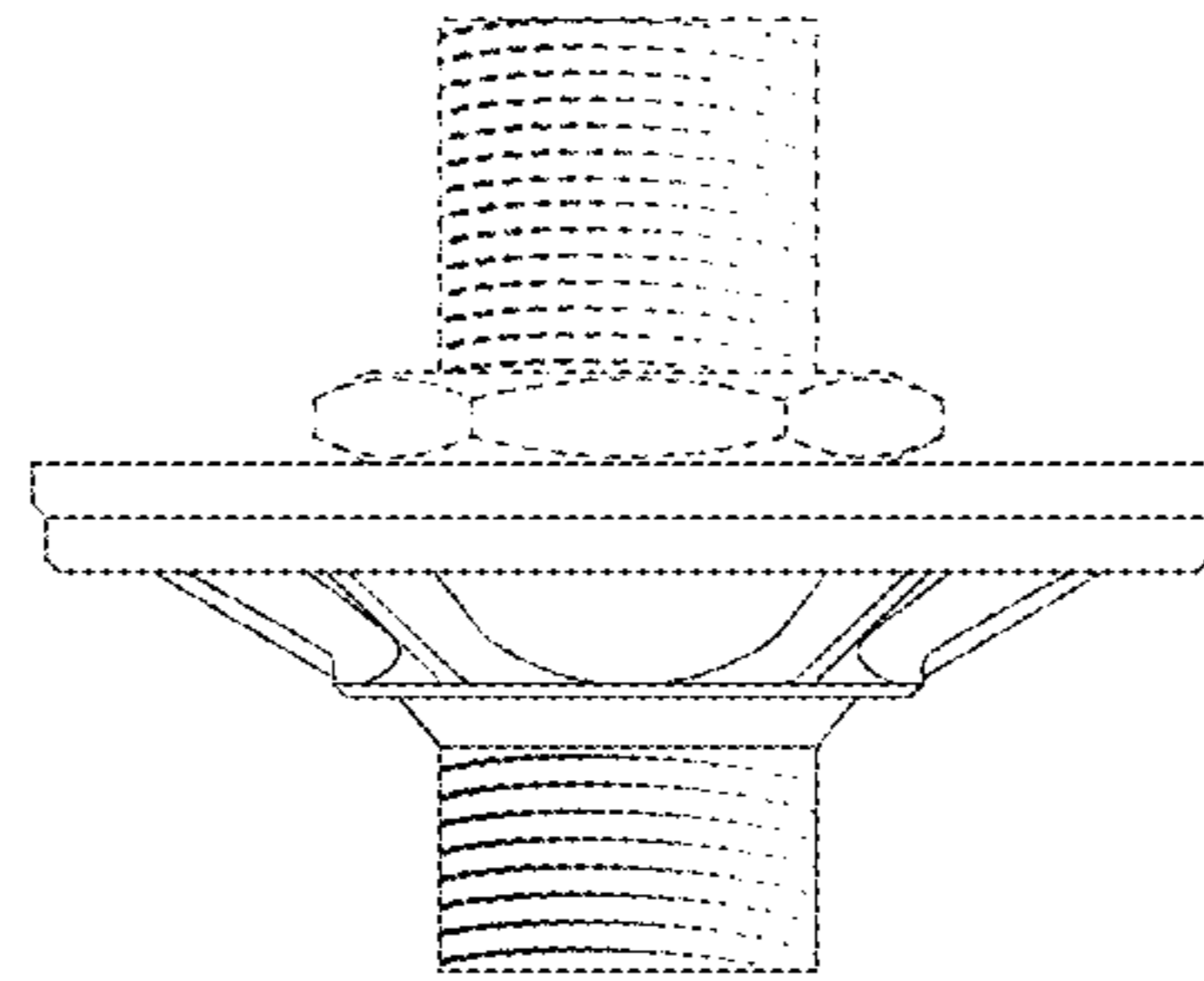


Fig.6

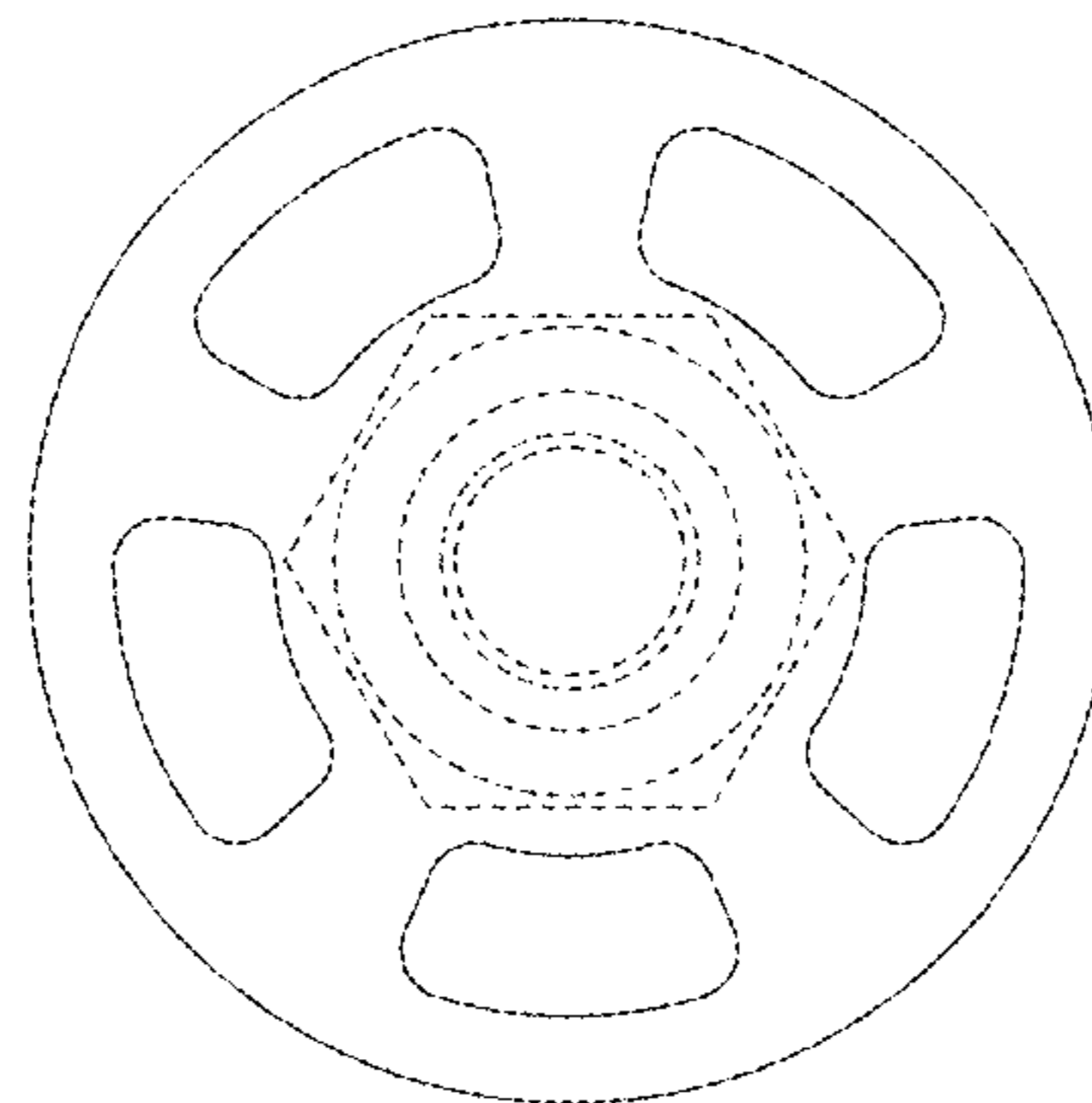


Fig.7