



US00D851223S

(12) **United States Design Patent**
Krombein

(10) **Patent No.:** **US D851,223 S**

(45) **Date of Patent:** **** Jun. 11, 2019**

(54) **DRAIN APPARATUS**

(71) Applicant: **Todd Krombein**, Phoenix, AZ (US)

(72) Inventor: **Todd Krombein**, Phoenix, AZ (US)

(**) Term: **15 Years**

(21) Appl. No.: **29/571,550**

(22) Filed: **Jul. 19, 2016**

(51) **LOC (11) Cl.** **23-01**

(52) **U.S. Cl.**

USPC **D23/261**

(58) **Field of Classification Search**

USPC D23/259-261, 262, 208-210, 267-268,
D23/386, 397, 400, 406, 304, 235, 269,
D23/227; 210/164, 163, 156, 459-460;
4/222.1, 255.07, 286-293, 680-682, 694,
4/609, 650-653, 294, 490, 496, 541.6,
4/501, 505, 507; 239/548, 552, 555-556,
239/558, 592; 137/454.2

CPC ... E03C 1/23; E03C 1/26; E03C 1/262; E03C
1/22; E03C 1/264; E03C 1/03; E03C
1/24; E03C 1/28; E03C 1/298; E03F
5/0404; E03F 5/06; F15D 1/0005; F16L
11/00; F16L 37/252; E04D 13/0409;
E04H 4/1236; E04H 4/169; B08B 9/0936

See application file for complete search history.

(56) **References Cited**

U.S. PATENT DOCUMENTS

D398,997 S * 9/1998 Taylor D23/386
D439,637 S * 3/2001 Davies D23/262
6,340,035 B2 1/2002 Wright
6,810,537 B1 11/2004 Barnes et al.
D578,619 S * 10/2008 Rattenbury D23/261
D598,523 S * 8/2009 McAlpine D23/268
D598,987 S * 8/2009 McAlpine D23/268
D614,267 S * 4/2010 Breda D23/261
D626,208 S * 10/2010 Clements D23/365

D665,491 S * 8/2012 Goel D15/144
8,713,724 B1 * 5/2014 Goetl E04H 4/1236
4/507
D710,485 S * 8/2014 Nudo D23/262

(Continued)

OTHER PUBLICATIONS

Your Safety Means The World To Us Too, MDX R3 VGB Compliant Debris Drain, Paramount, Chandler, Arizona, USA <http://1paramount.com/products/aapdf/MDX3Brochure.pdf>, document available on or before Oct. 22, 2015 (per Internet Archive Wayback Machine, <http://web.archive.org/web/20151022040240/http://www.1paramount.com/products/mdxr3/linking> to <http://web.archive.org/web/20160827052434/http://1paramount.com/products/aapdf/MDX3Brochure.pdf>), Accessed on Nov. 7, 2016, 9 pages.

Primary Examiner — Karen E Kearney

Assistant Examiner — Amy C Wierenga

(74) *Attorney, Agent, or Firm* — Knobbe, Martens, Olson & Bear, LLP

(57) **CLAIM**

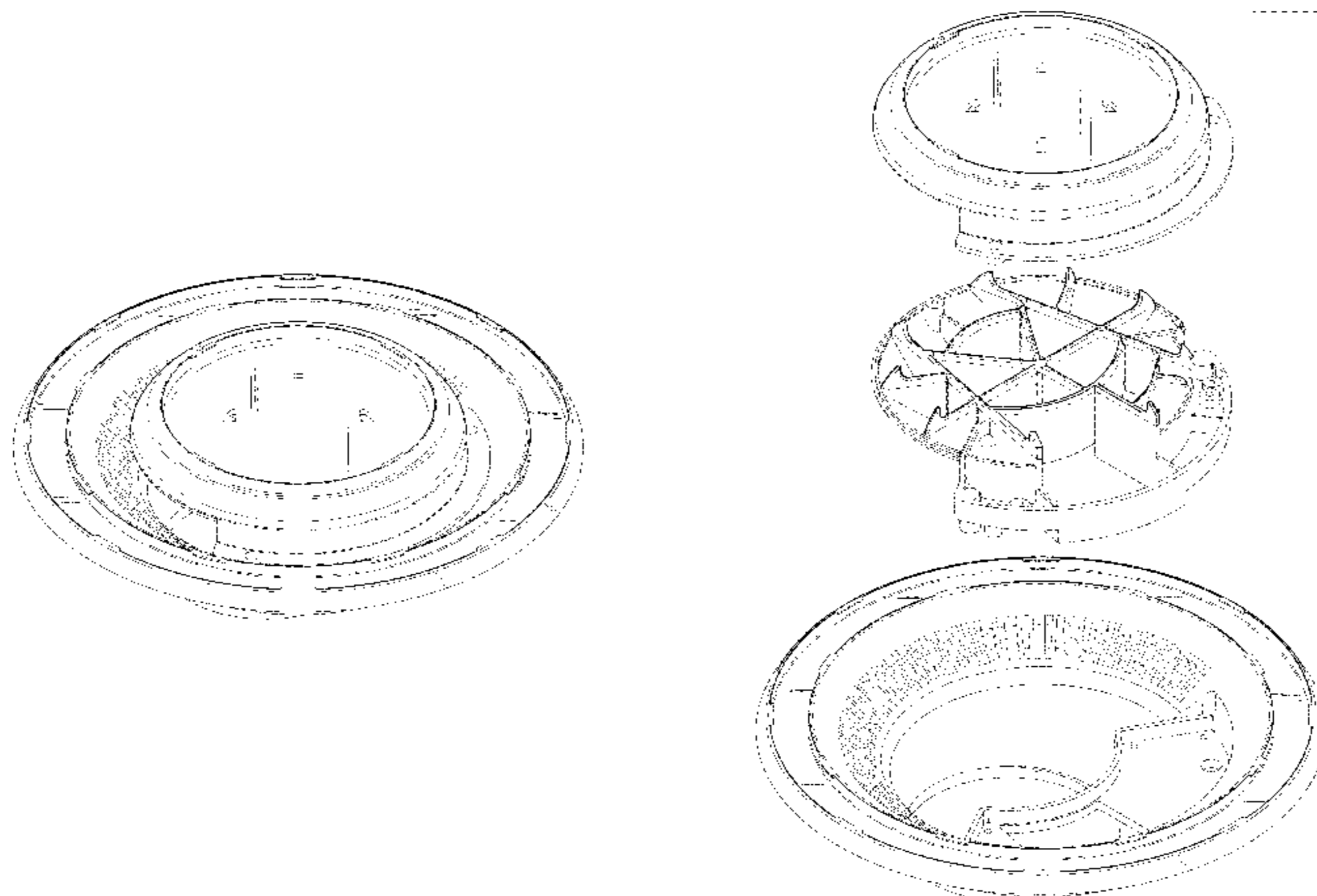
The ornamental design for a drain apparatus, as shown and described.

DESCRIPTION

FIG. 1 is a top-side isometric view of a drain apparatus; FIG. 2 is an exploded top-side isometric view thereof; FIG. 3 is a bottom-side isometric view thereof; FIG. 4 is a first side view thereof; FIG. 5 is a second side view thereof; FIG. 6 is a third side view thereof; FIG. 7 is a fourth side view thereof; FIG. 8 is a top view thereof; and, FIG. 9 is a bottom view thereof.

The dashed broken lines shown in the drawings illustrate portions of the drain apparatus that form no part of the claim. The dash-dot-dash broken lines in the drawings depict boundaries of the claim and form no part of the claim.

1 Claim, 7 Drawing Sheets



(56)

References Cited

U.S. PATENT DOCUMENTS

D750,208 S *	2/2016	VanderBoegh	D23/268
9,267,303 B1 *	2/2016	Goetl	E04H 4/00
2016/0258146 A1 *	9/2016	Sisto	E03F 5/06

* cited by examiner

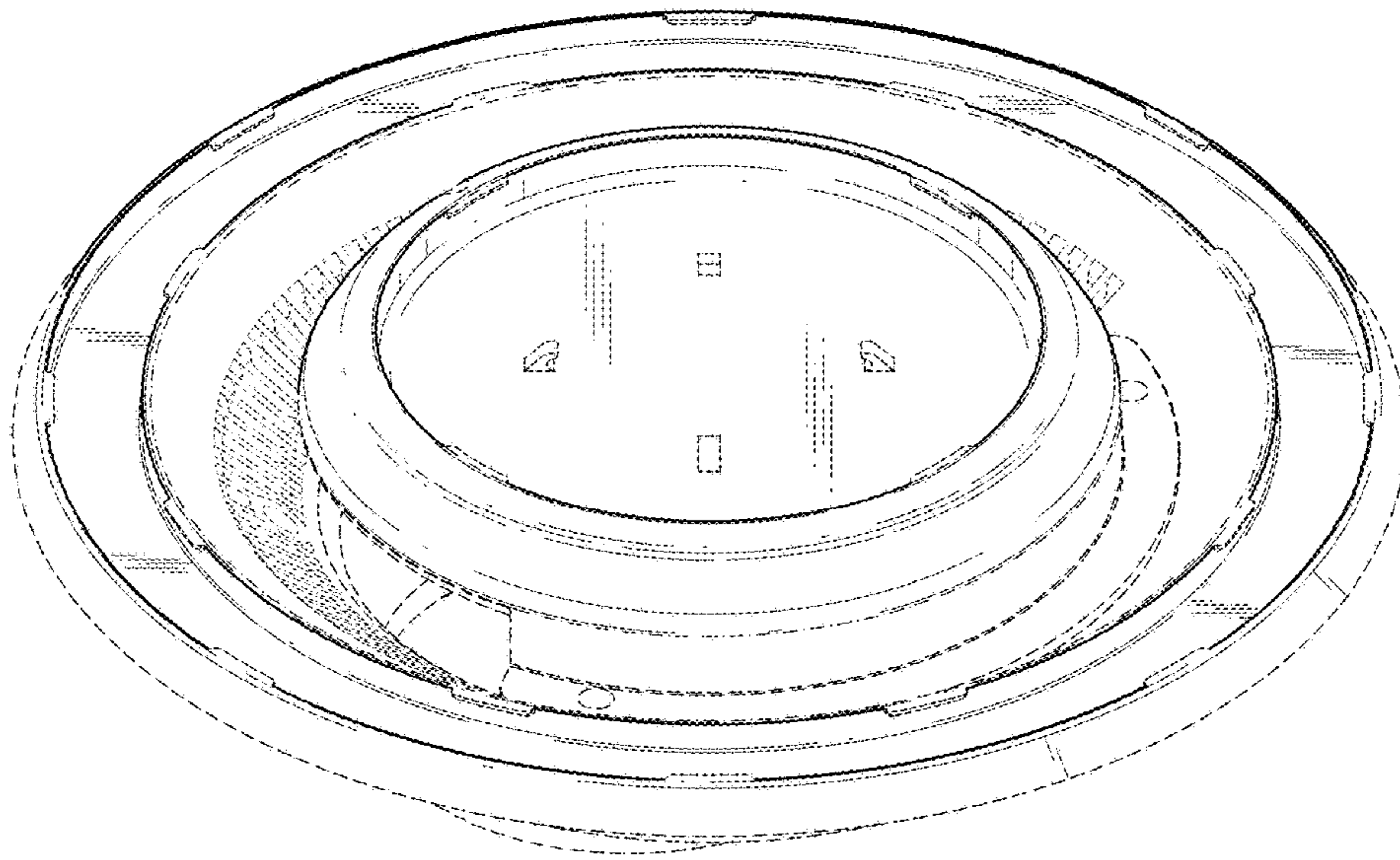
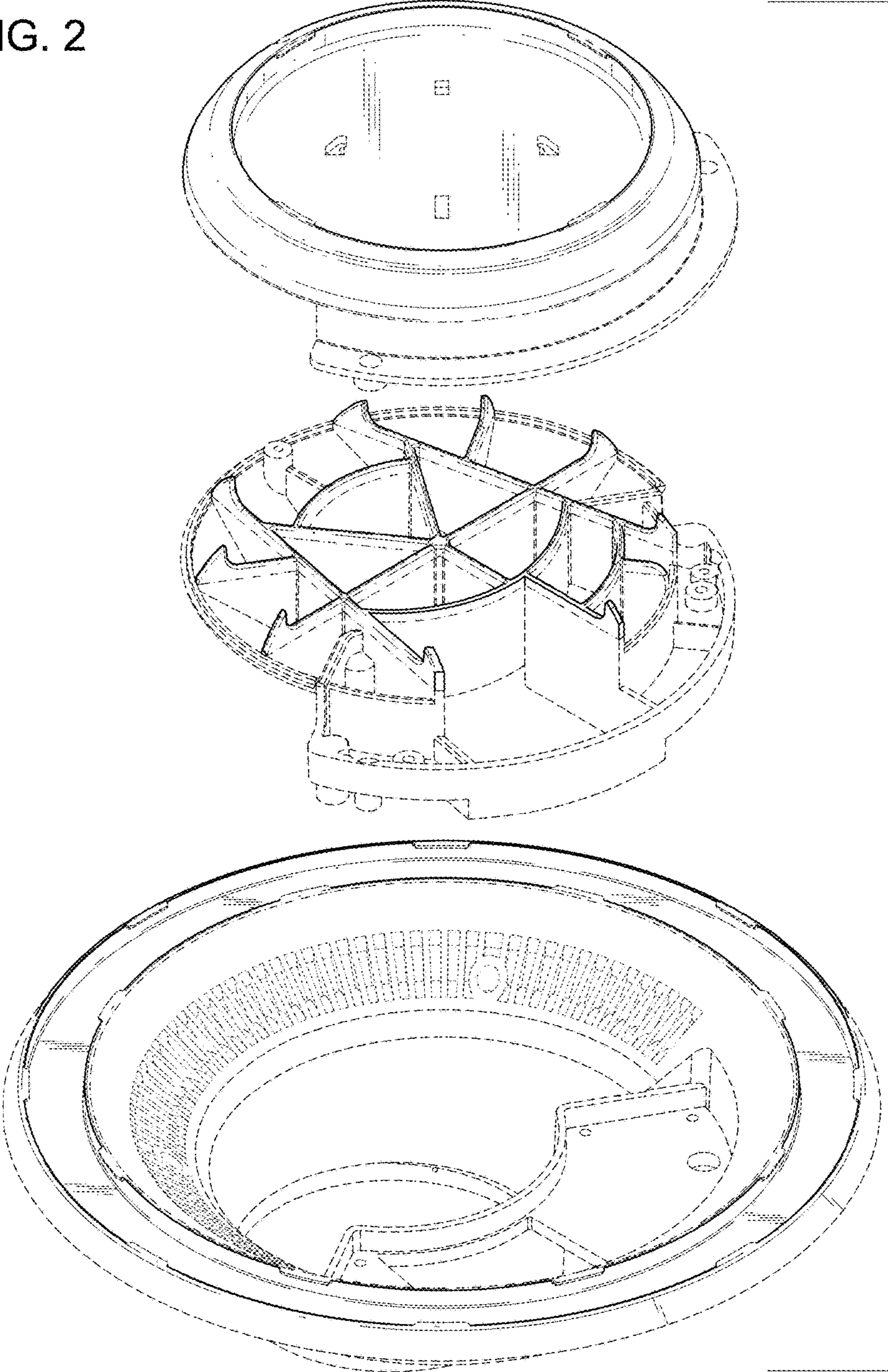


FIG. 1

FIG. 2



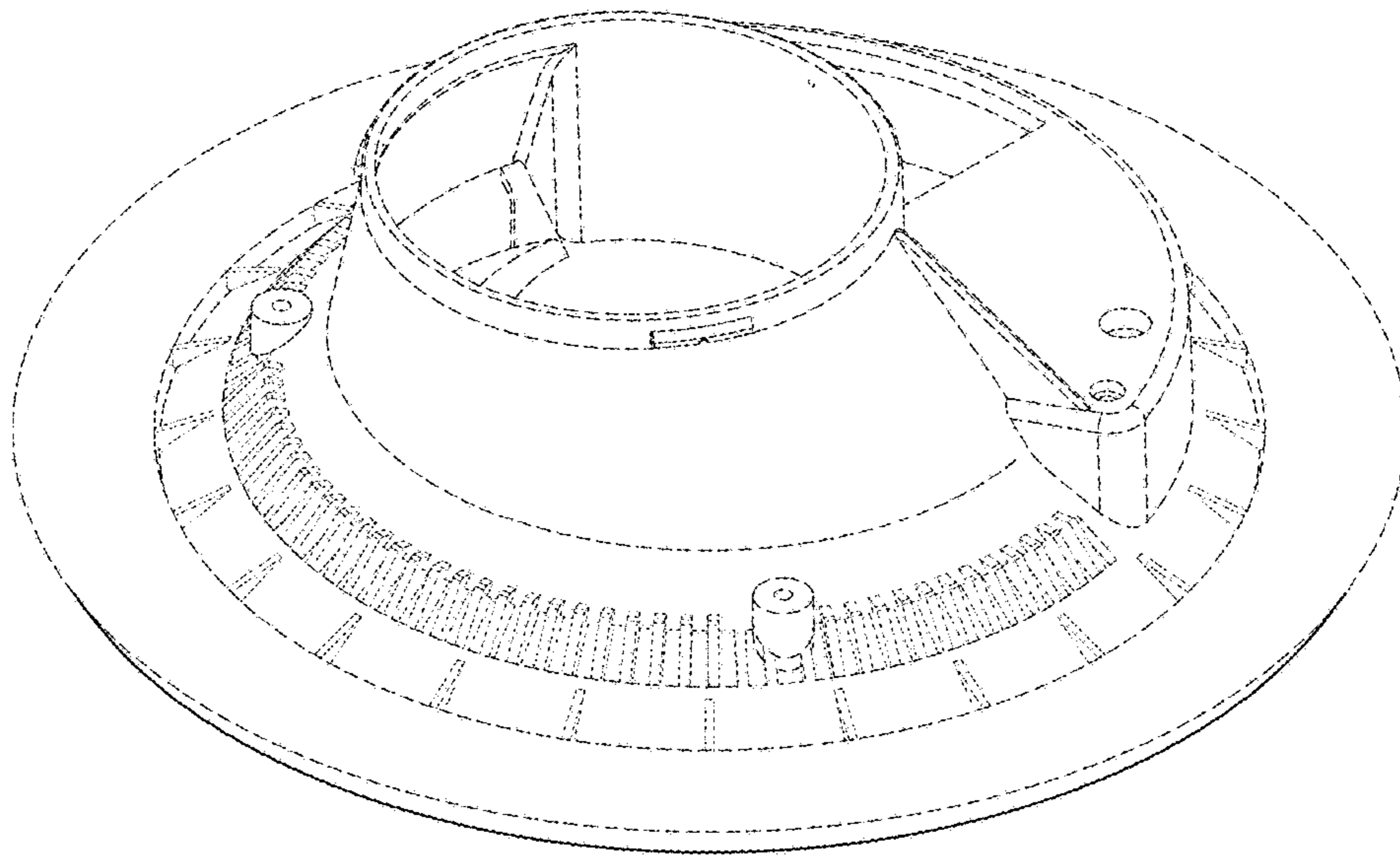


FIG. 3

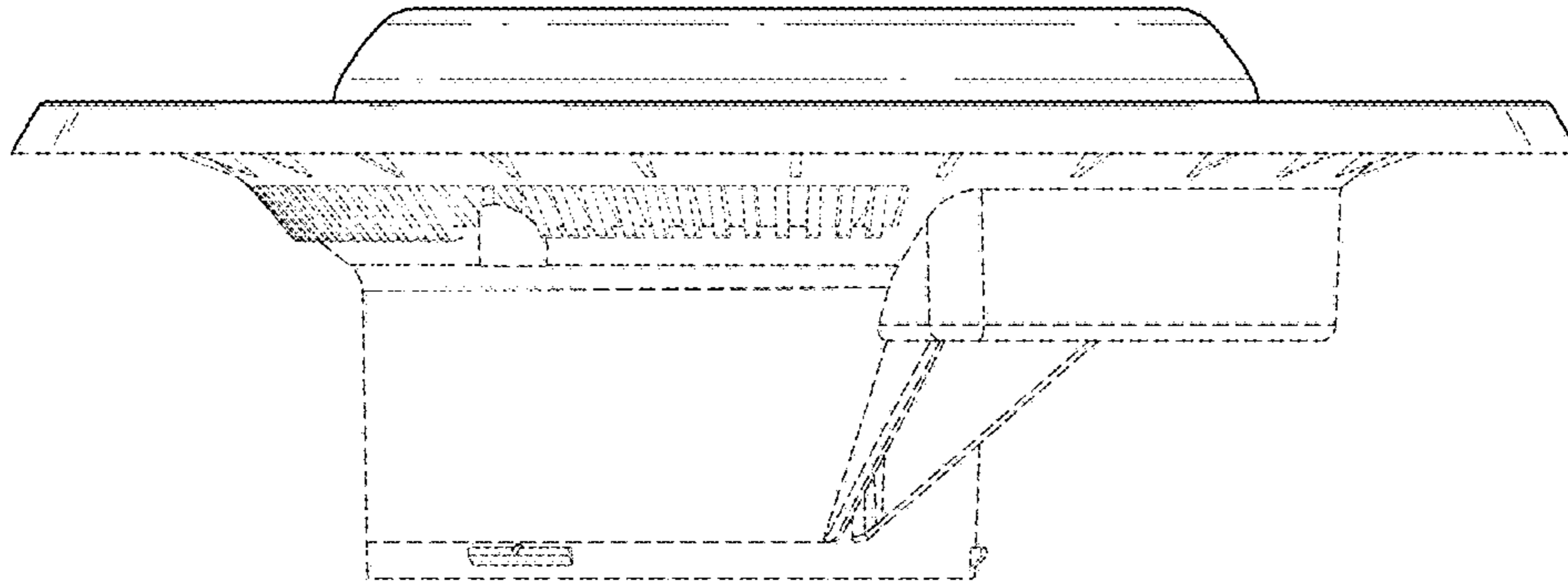


FIG. 4

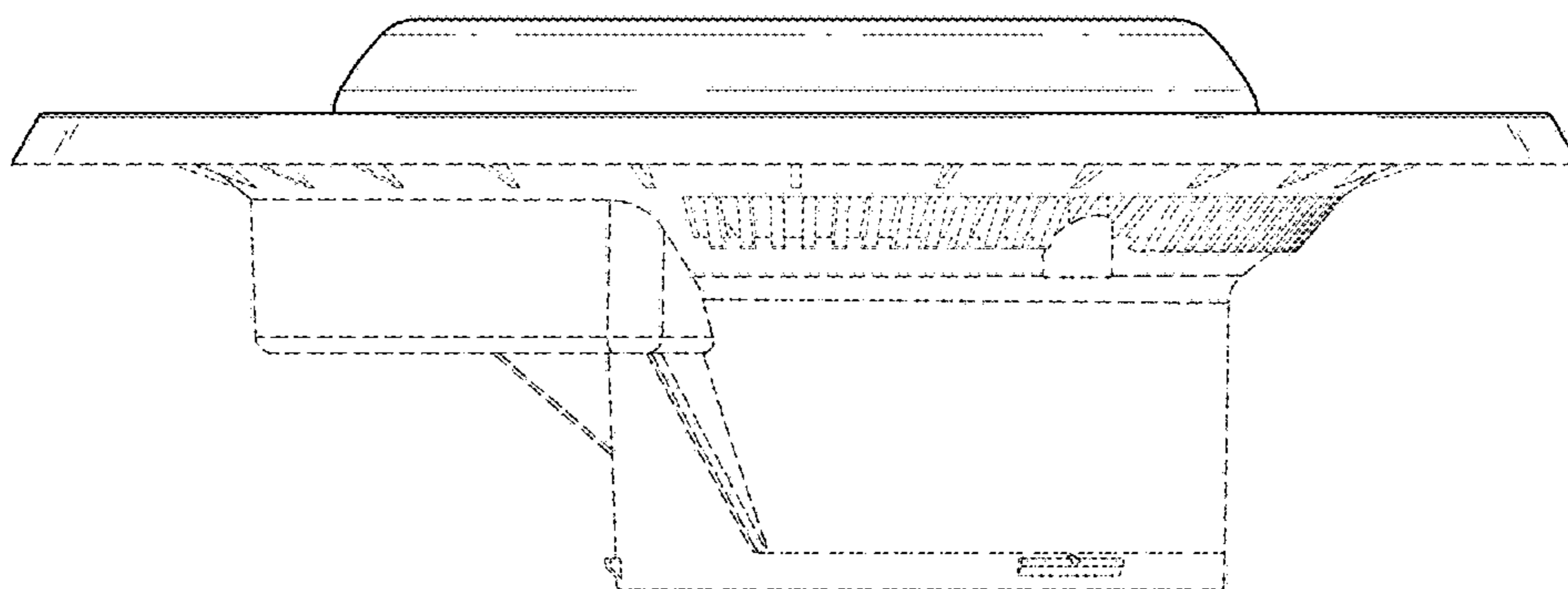


FIG. 5

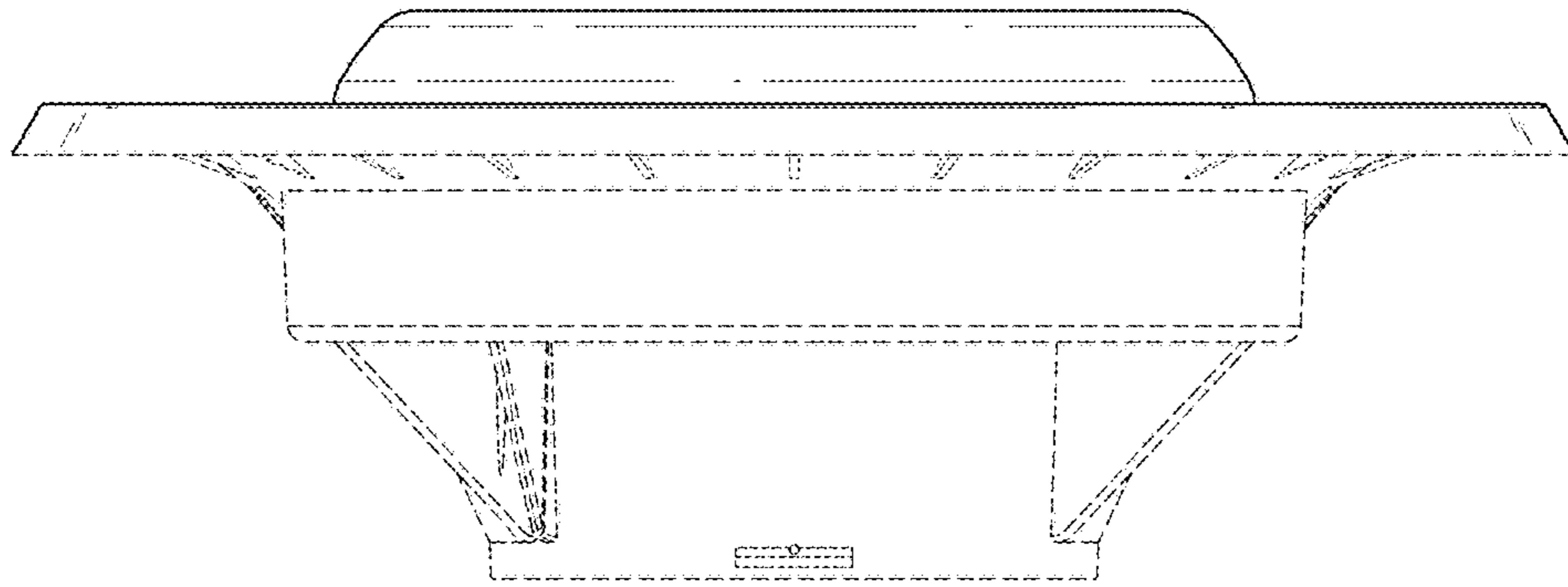


FIG. 6

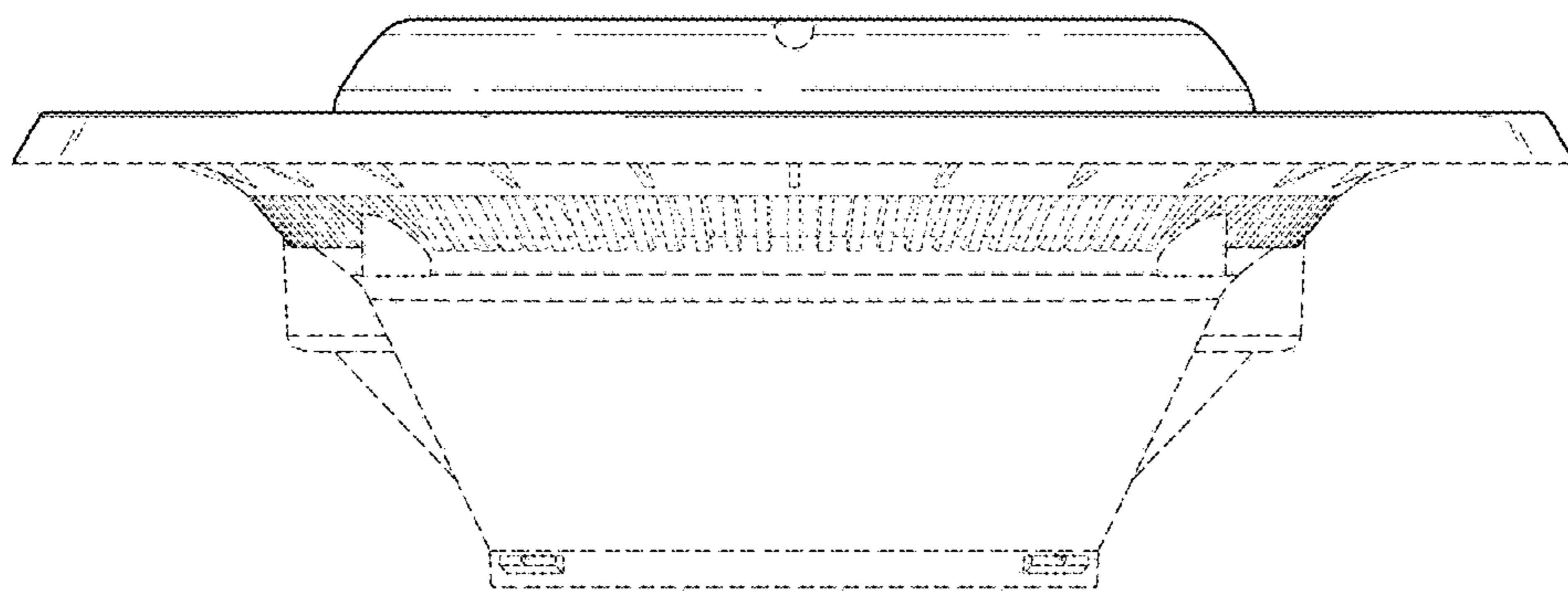


FIG. 7

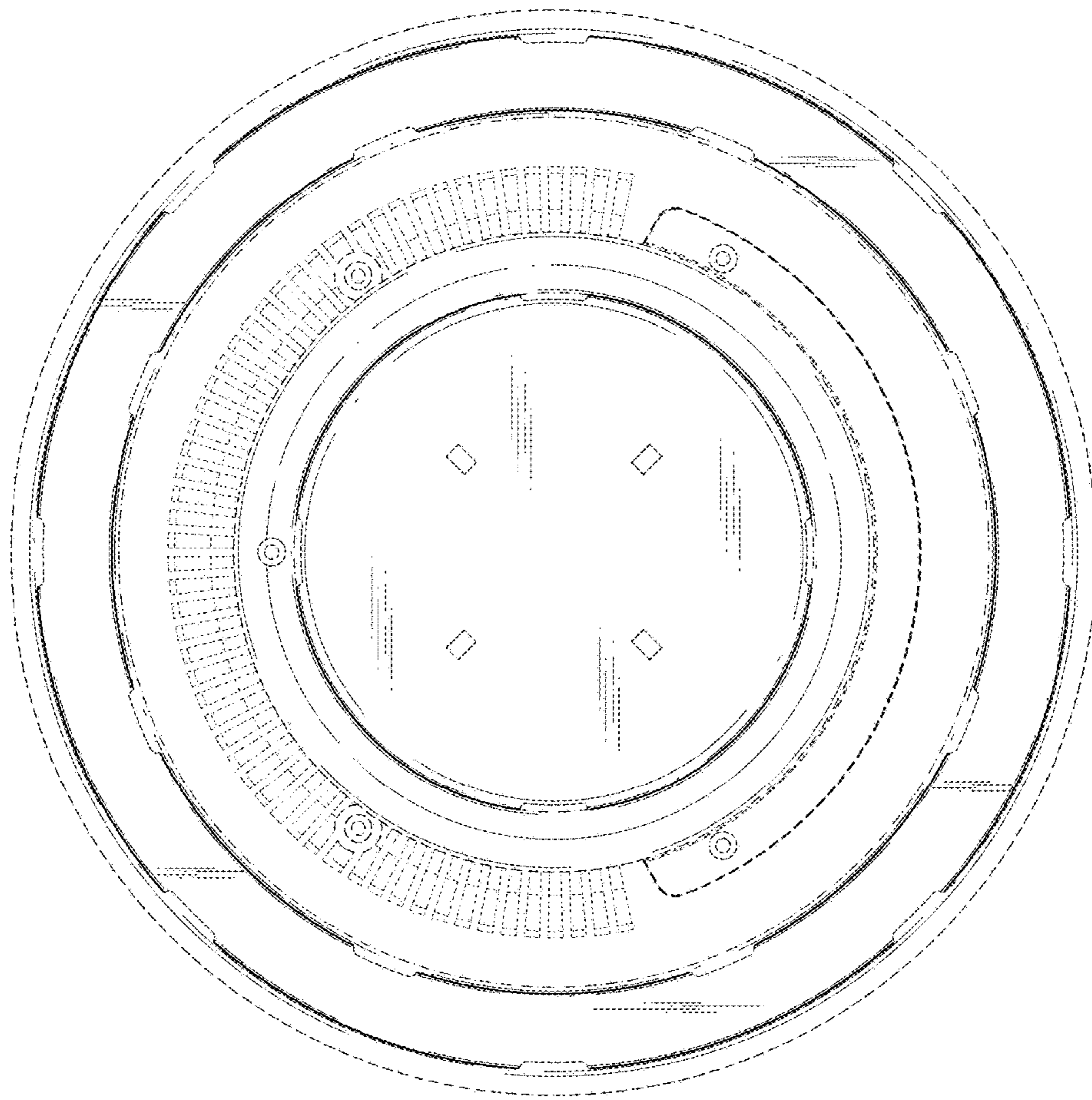


FIG. 8

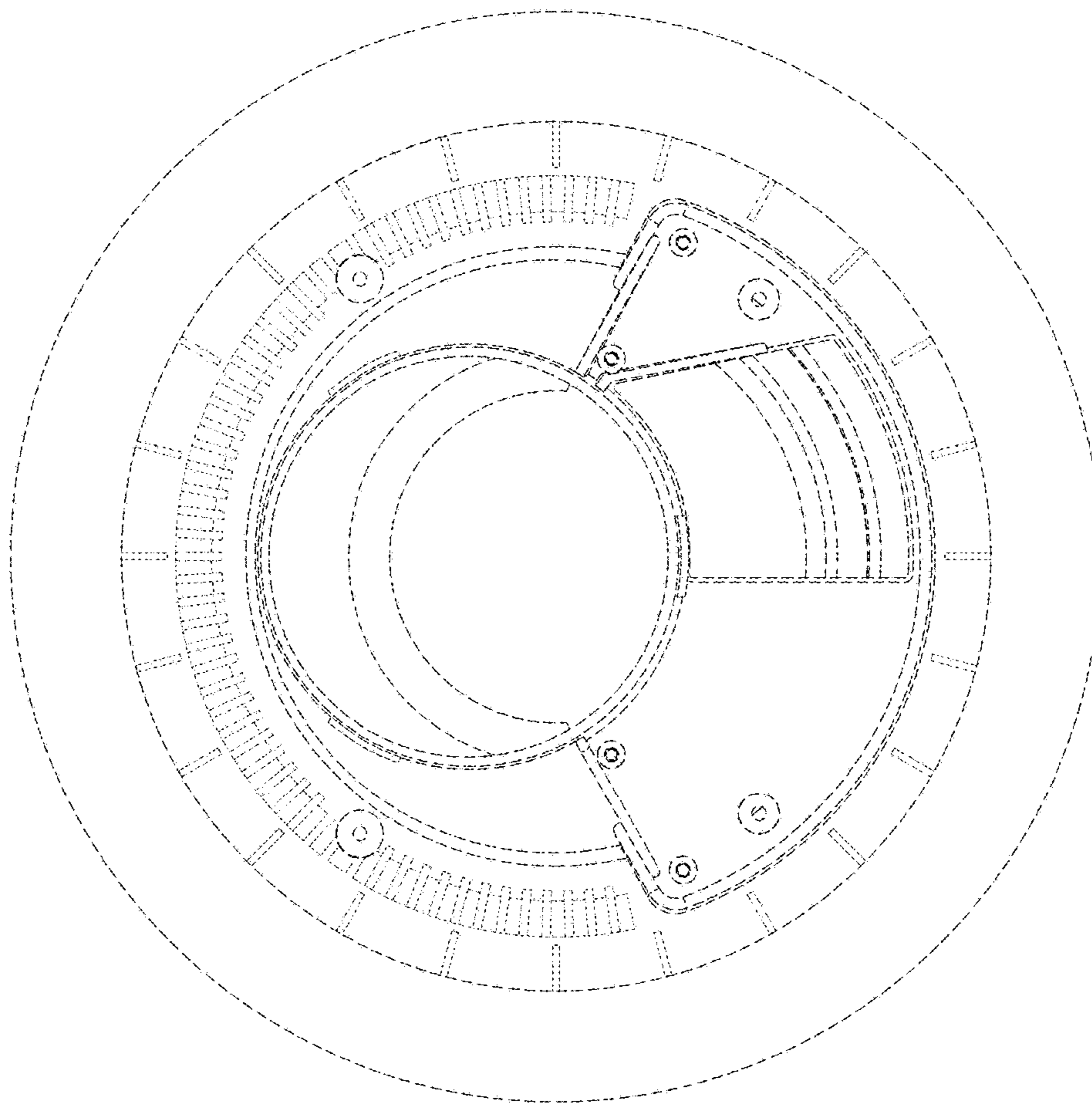


FIG. 9