



US00D851221S

(12) **United States Design Patent**
Chandler

(10) **Patent No.:** **US D851,221 S**

(45) **Date of Patent:** **** Jun. 11, 2019**

(54) **PLUMBING FITTING**

(71) Applicant: **Vista Research Group, LLC**, Ashland, OH (US)

(72) Inventor: **James W. Chandler**, Ashland, OH (US)

(73) Assignee: **VISTA WATER GROUP, LLC**, Ashland, OH (US)

(**) Term: **15 Years**

(21) Appl. No.: **29/632,654**

(22) Filed: **Jan. 9, 2018**

Related U.S. Application Data

(63) Continuation-in-part of application No. 29/588,389, filed on Dec. 20, 2016, now Pat. No. Des. 810,893, which is a continuation-in-part of application No. 29/546,039, filed on Nov. 18, 2015, now abandoned.

(51) **LOC (11) Cl.** **23-01**

(52) **U.S. Cl.**
USPC **D23/259**

(58) **Field of Classification Search**

USPC D23/259, 262–266, 268, 267, 269, D23/205–207, 233; D8/349, 396, D8/394–395; 138/109, 158–159, 169, 39, 138/44, 106; 285/179, 285.1, 286.1, 285/291.2, 19, 51, 55, 21.1, 145.3, 146.1, 285/242, 251, 256, 95–96; D24/110, 128, D24/220, 108, 129, 217; 137/12, 14, 804
CPC F16L 17/04; F16L 17/025; F16L 17/035; F16L 27/04; F16L 27/023; F16L 27/103; F16L 57/00; F16L 43/00; F16L 27/125; F16L 27/053; F16L 27/08; F16L 33/23; F16L 33/28; F16L 33/01; F16L 33/025; F16L 33/023; F16L 33/021; F16L 41/00;

F16L 41/06; F16L 21/02; F16L 21/06; E03C 1/24; E03C 1/26; E03C 1/28; E03C 1/262

See application file for complete search history.

(56) **References Cited**

U.S. PATENT DOCUMENTS

D237,965 S *	12/1975	Schlesch	D23/268
3,963,690 A *	6/1976	Pruitt	B01J 3/04
			526/65
D310,123 S *	8/1990	Carlson	D23/200
5,605,449 A *	2/1997	Reed	F04B 53/1022
			137/454.4
D435,646 S *	12/2000	Shah	D24/108
D443,929 S *	6/2001	Wilkinson	D24/129
6,423,219 B1 *	7/2002	Chandler	C02F 1/50
			134/102.2
D501,533 S *	2/2005	Robinson	D23/209

(Continued)

Primary Examiner — Eric L Goodman

Assistant Examiner — Amy C Wierenga

(74) *Attorney, Agent, or Firm* — Ralph E. Jocke; Walker & Jocke

(57) **CLAIM**

The ornamental design for a plumbing fitting, as shown and described.

DESCRIPTION

FIG. 1 is a top front perspective view of the plumbing fitting showing my new design.

FIG. 2 is a bottom front perspective view thereof.

FIG. 3 is a front view thereof.

FIG. 4 is a right side view thereof.

FIG. 5 is a back view thereof.

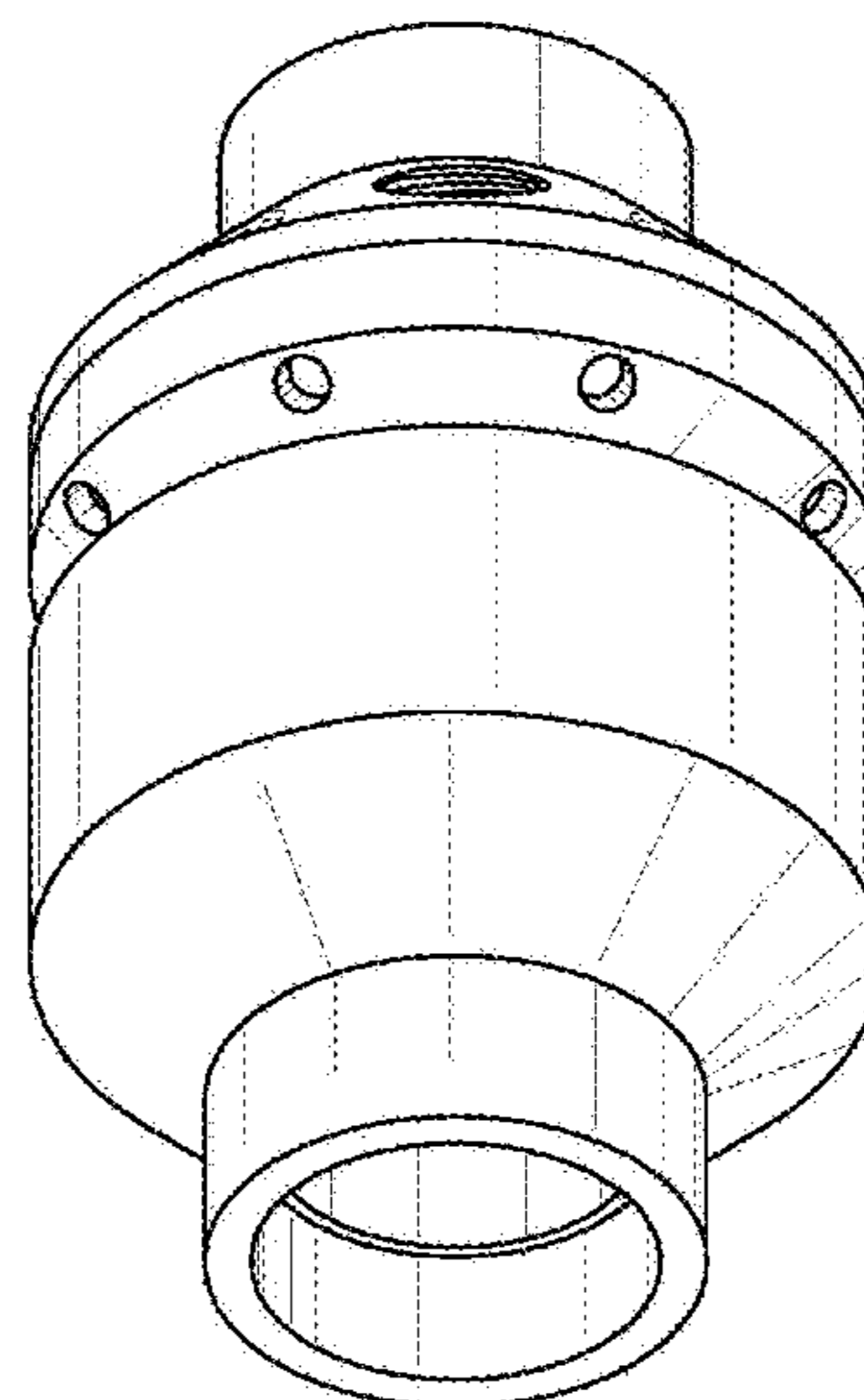
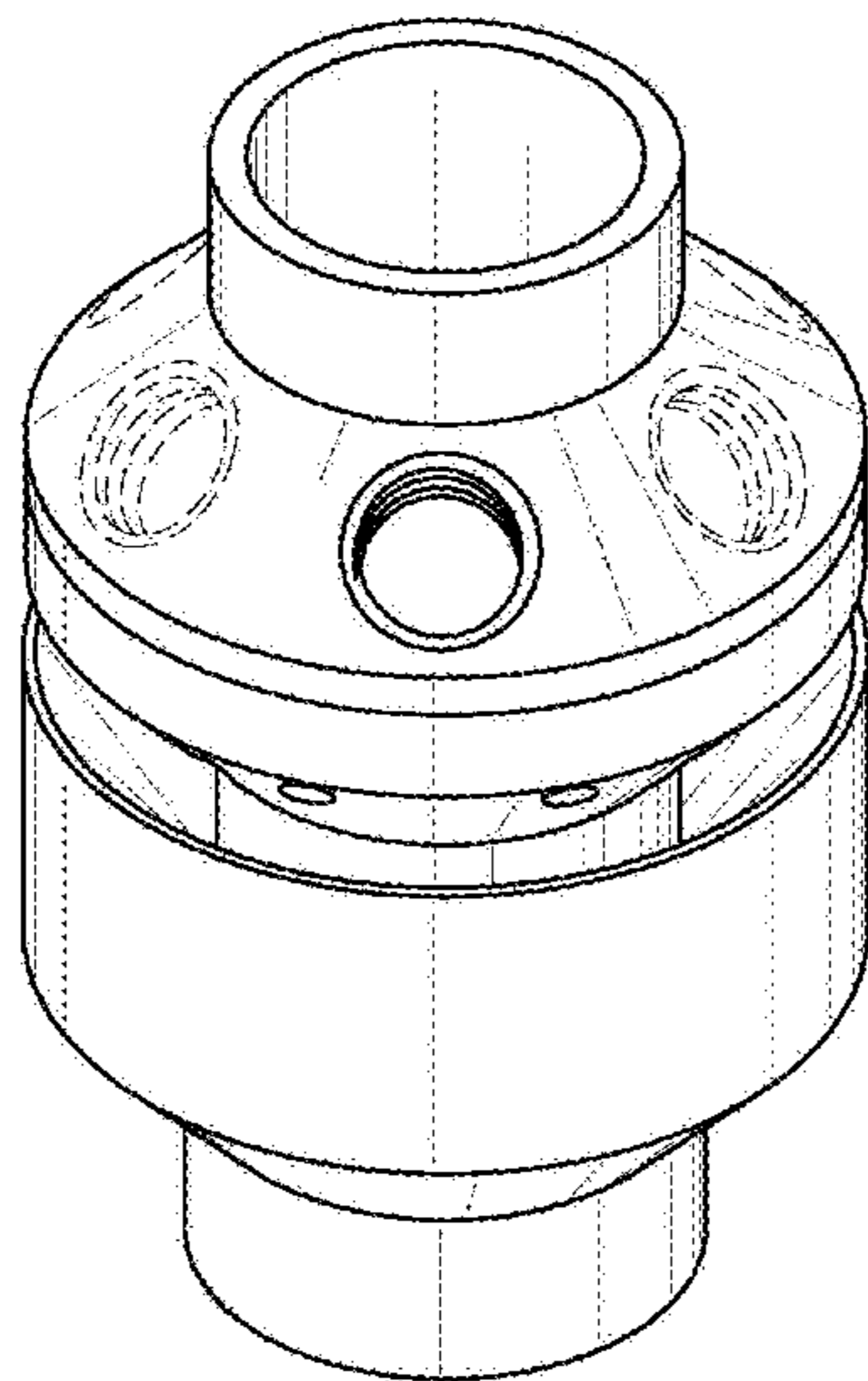
FIG. 6 is a left side view thereof.

FIG. 7 is a top view thereof; and,

FIG. 8 is a bottom view thereof.

The dashed broken lines depict portions of the plumbing fitting that form no part of the claim.

1 Claim, 7 Drawing Sheets



(56)

References Cited

U.S. PATENT DOCUMENTS

8,474,878 B2 * 7/2013 Richter F16B 2/246
285/319
8,518,340 B1 * 8/2013 Lewis A61L 2/07
137/583
D709,163 S * 7/2014 Deruntz D23/206
9,348,342 B1 * 5/2016 Chandler G05D 9/02
D810,893 S * 2/2018 Chandler D23/259
D810,894 S * 2/2018 Chandler D23/262
2003/0036033 A1 * 2/2003 Chandler A61C 1/0061
433/77
2014/0048143 A1 * 2/2014 Lehner F04F 13/00
137/14

* cited by examiner

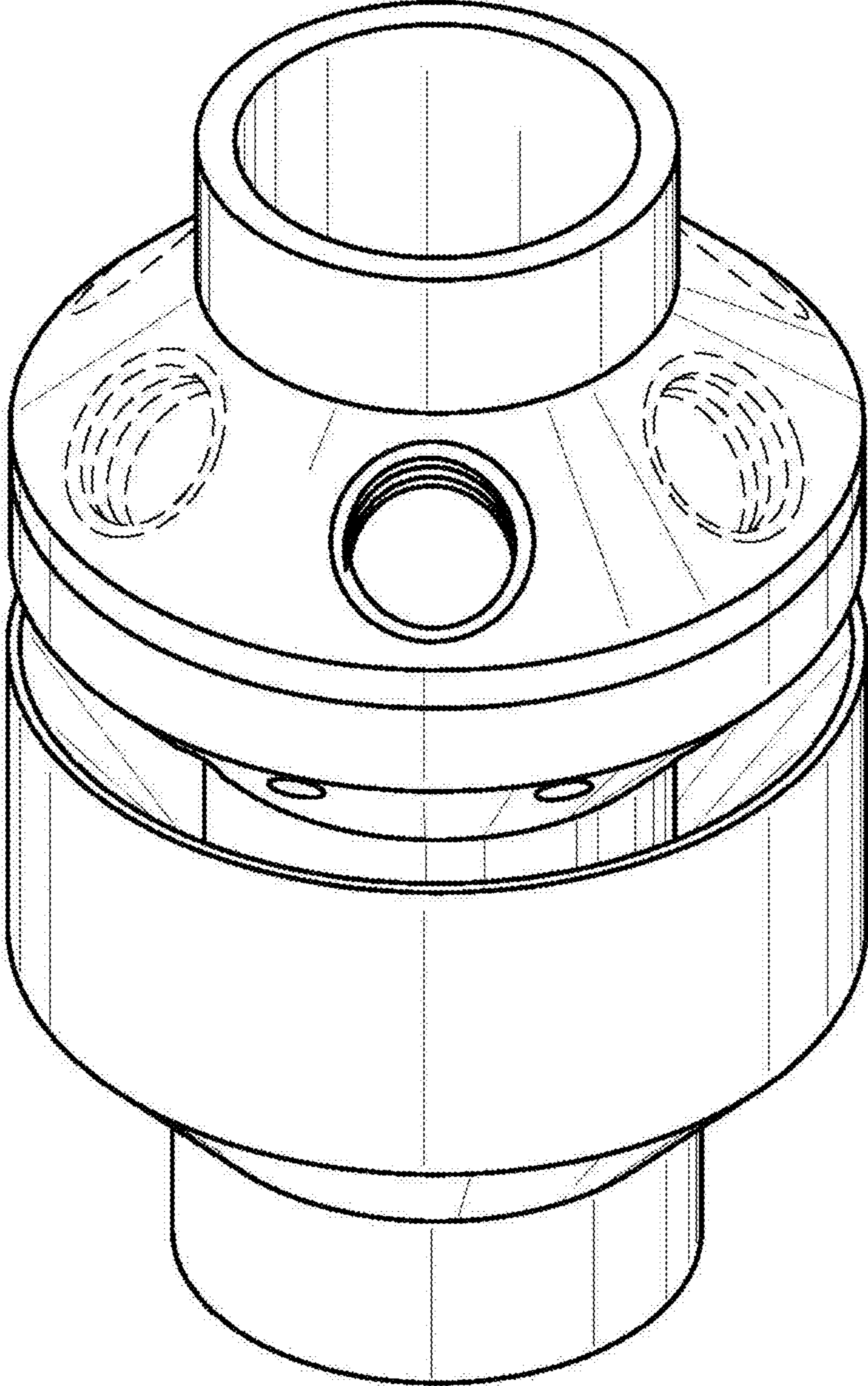


FIG. 1

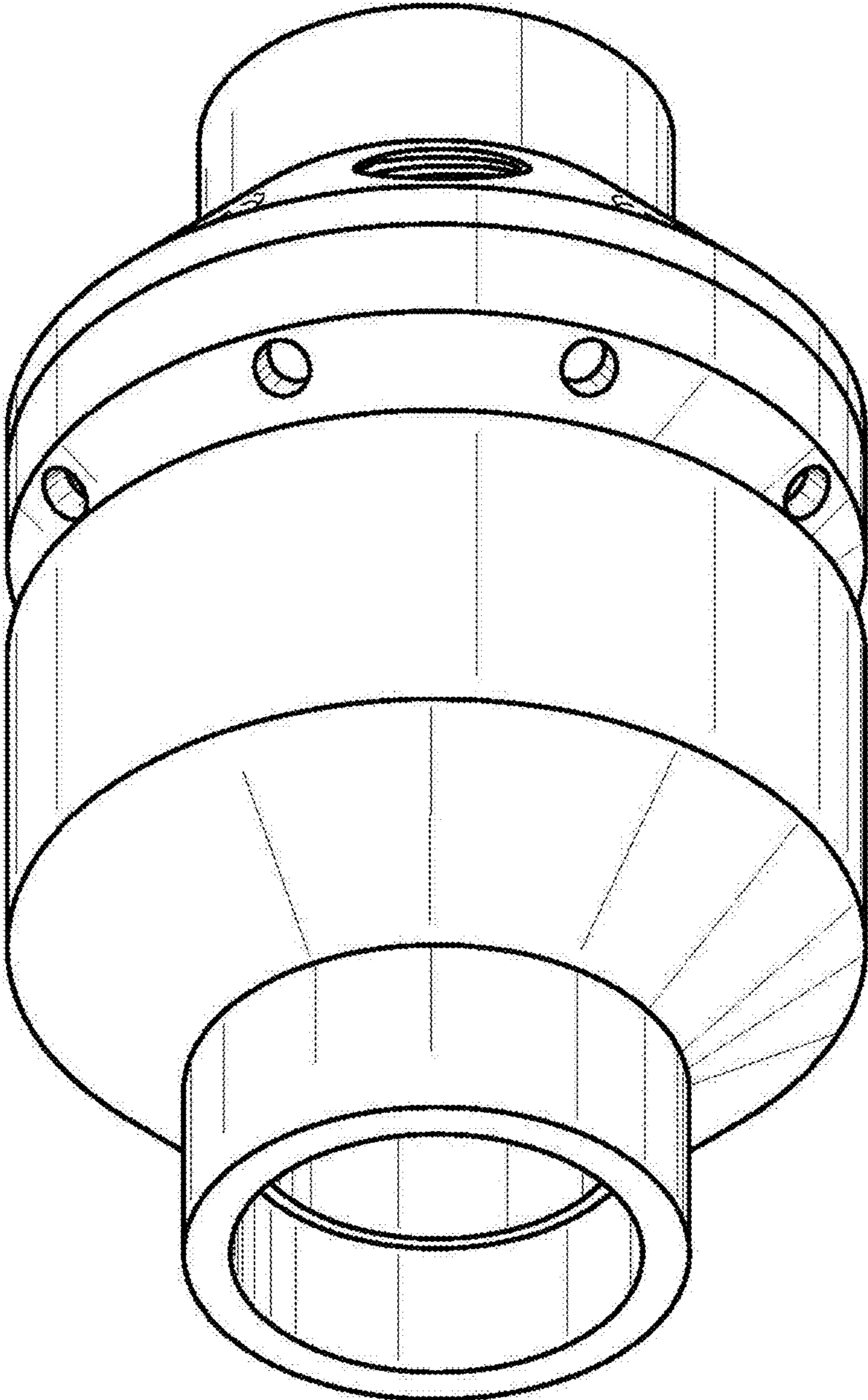


FIG. 2

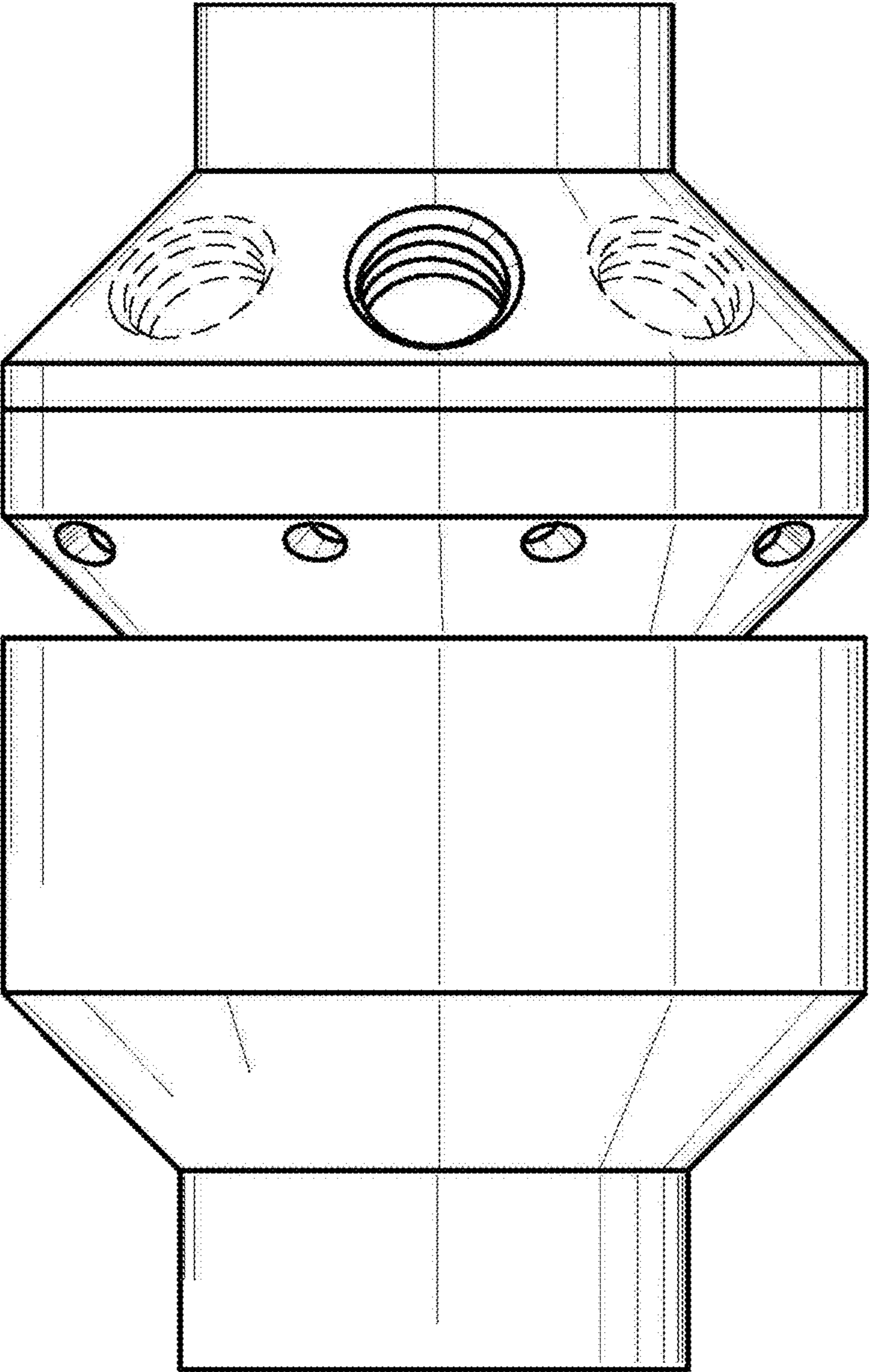


FIG. 3

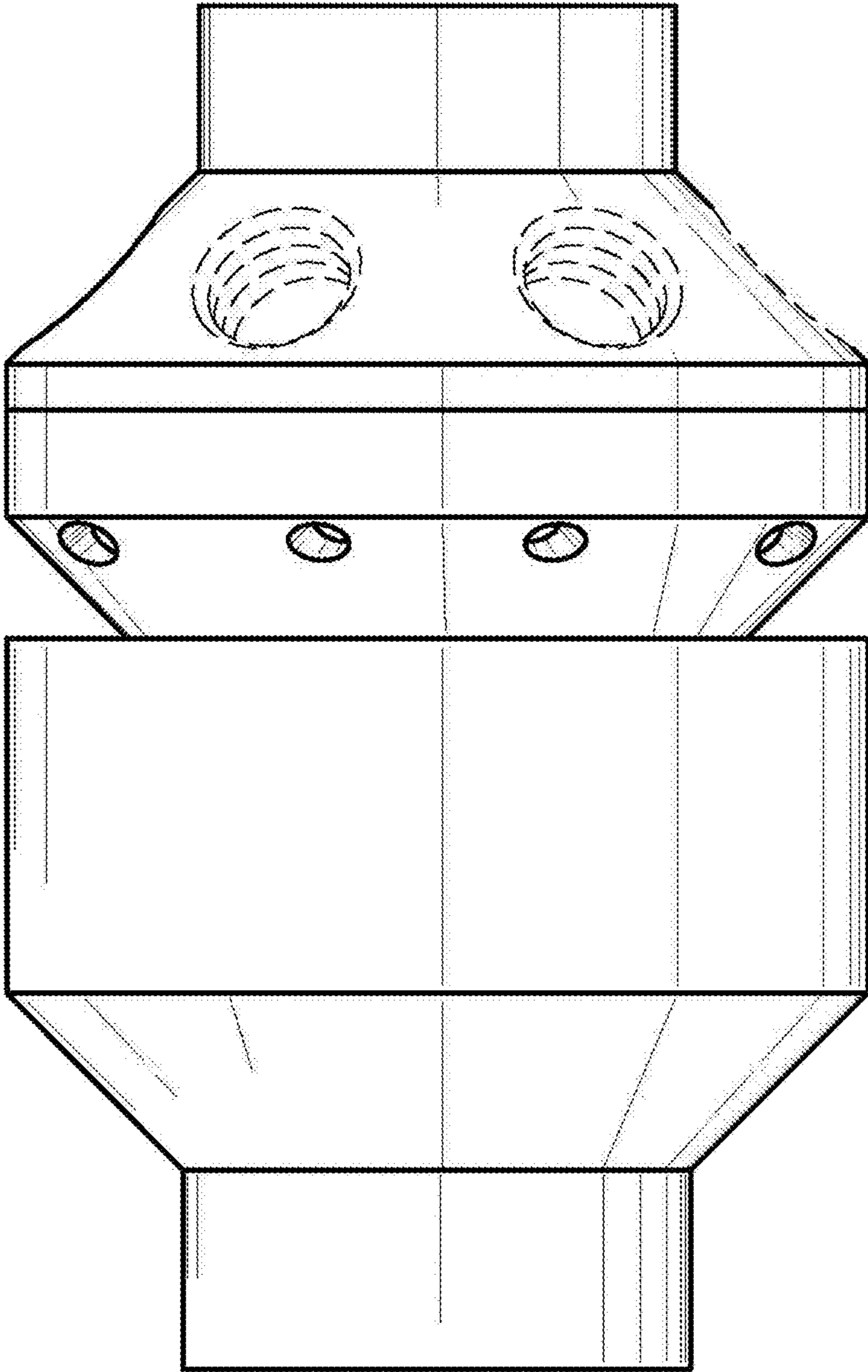


FIG. 4

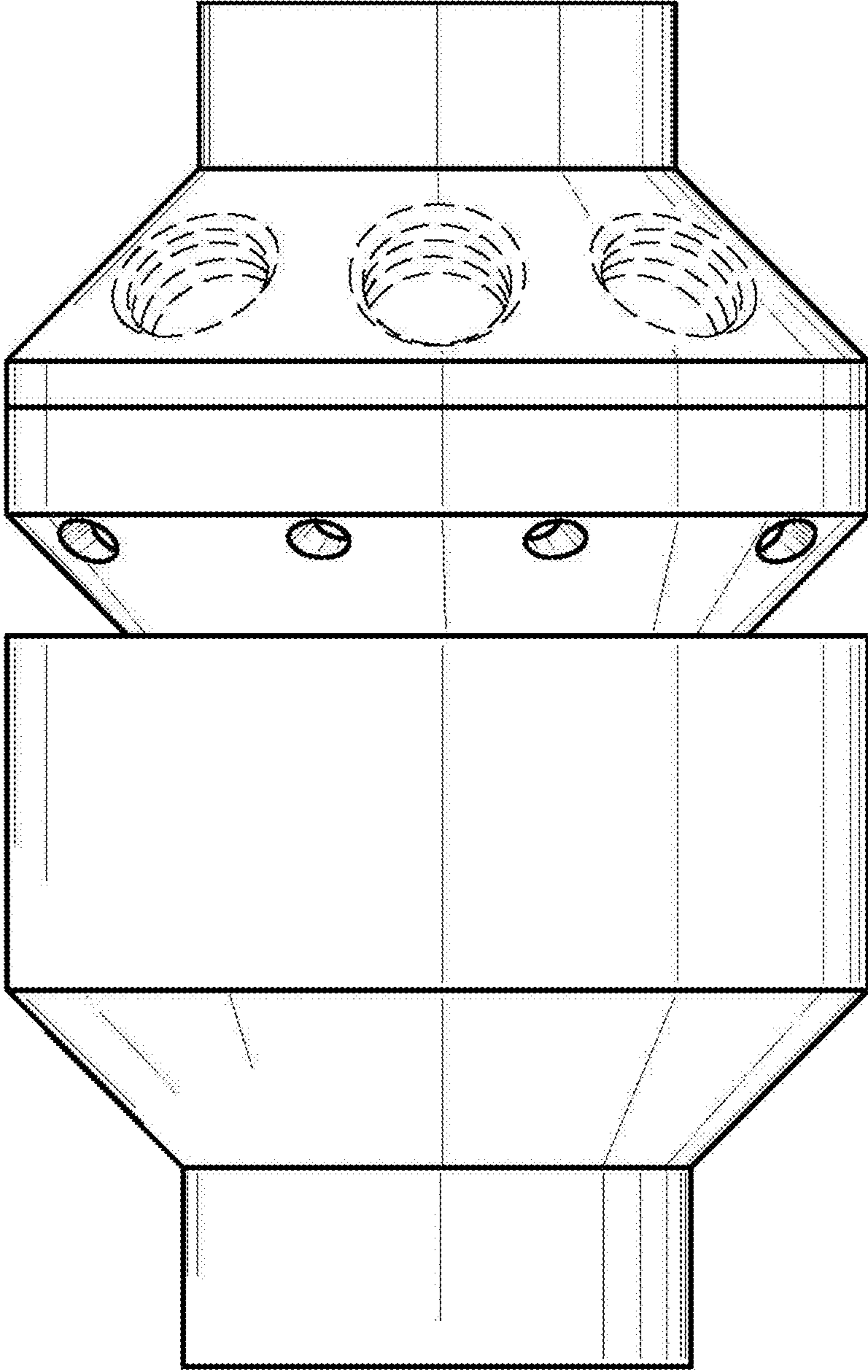


FIG. 5

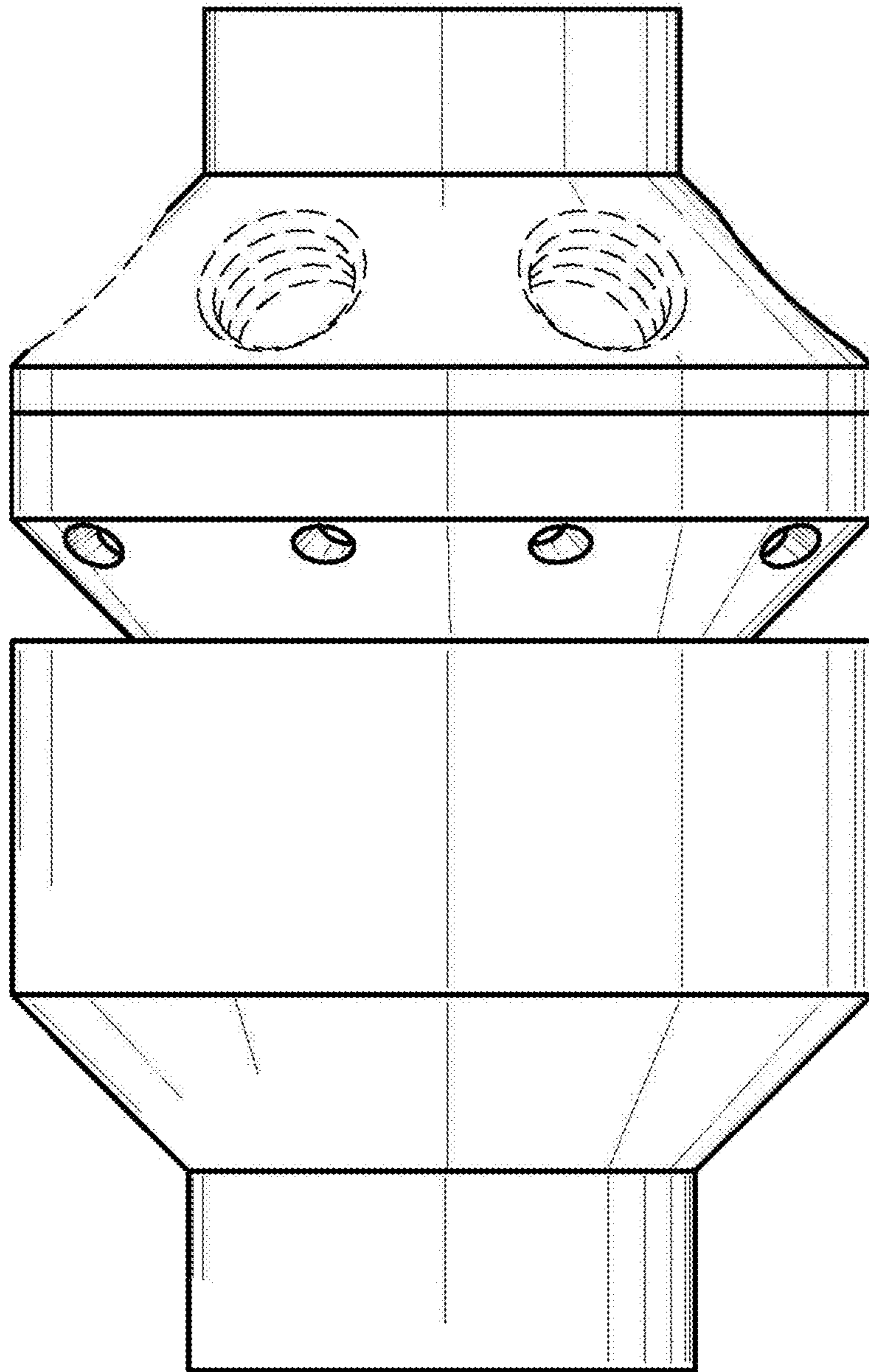


FIG. 6

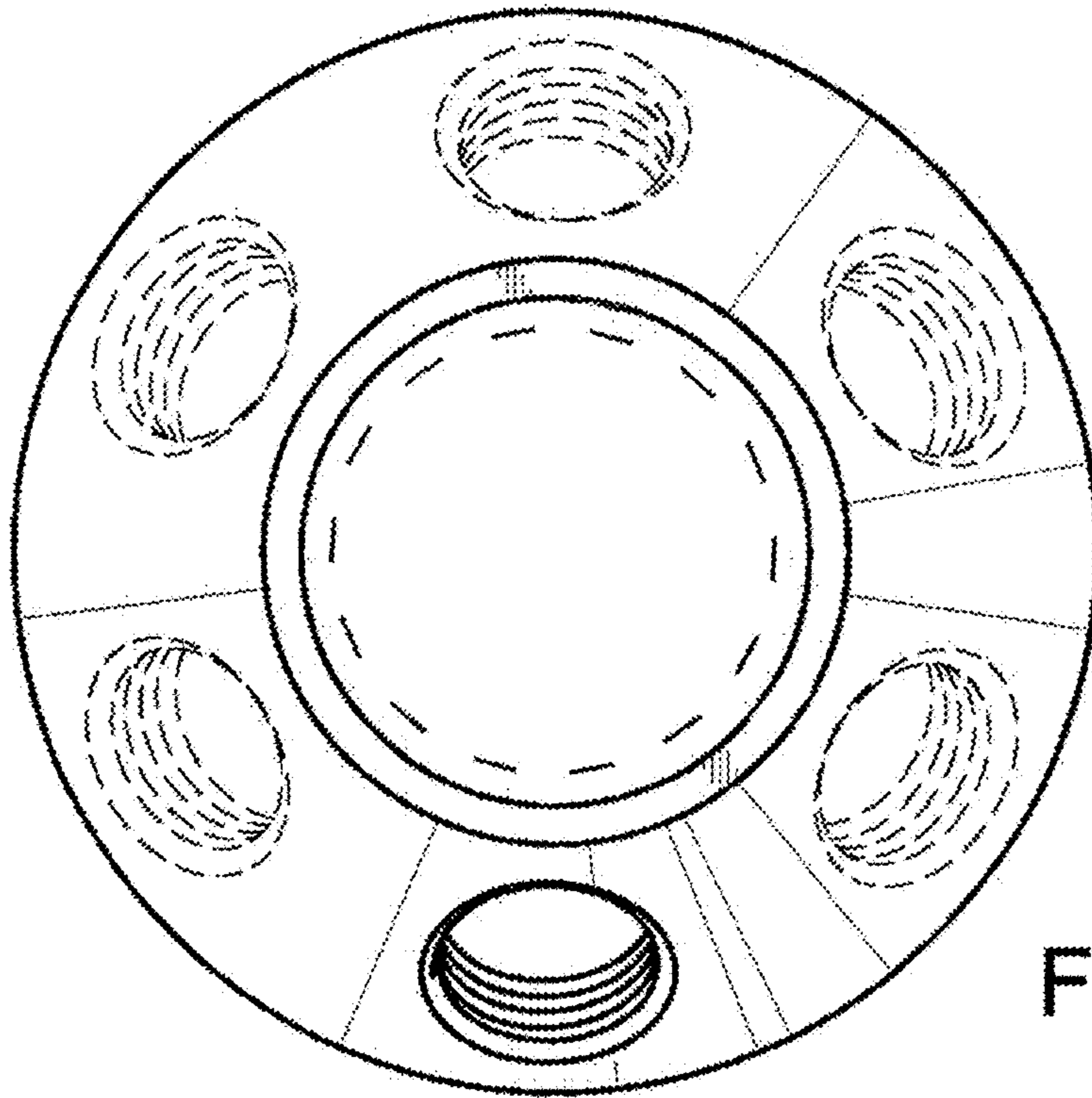


FIG. 7

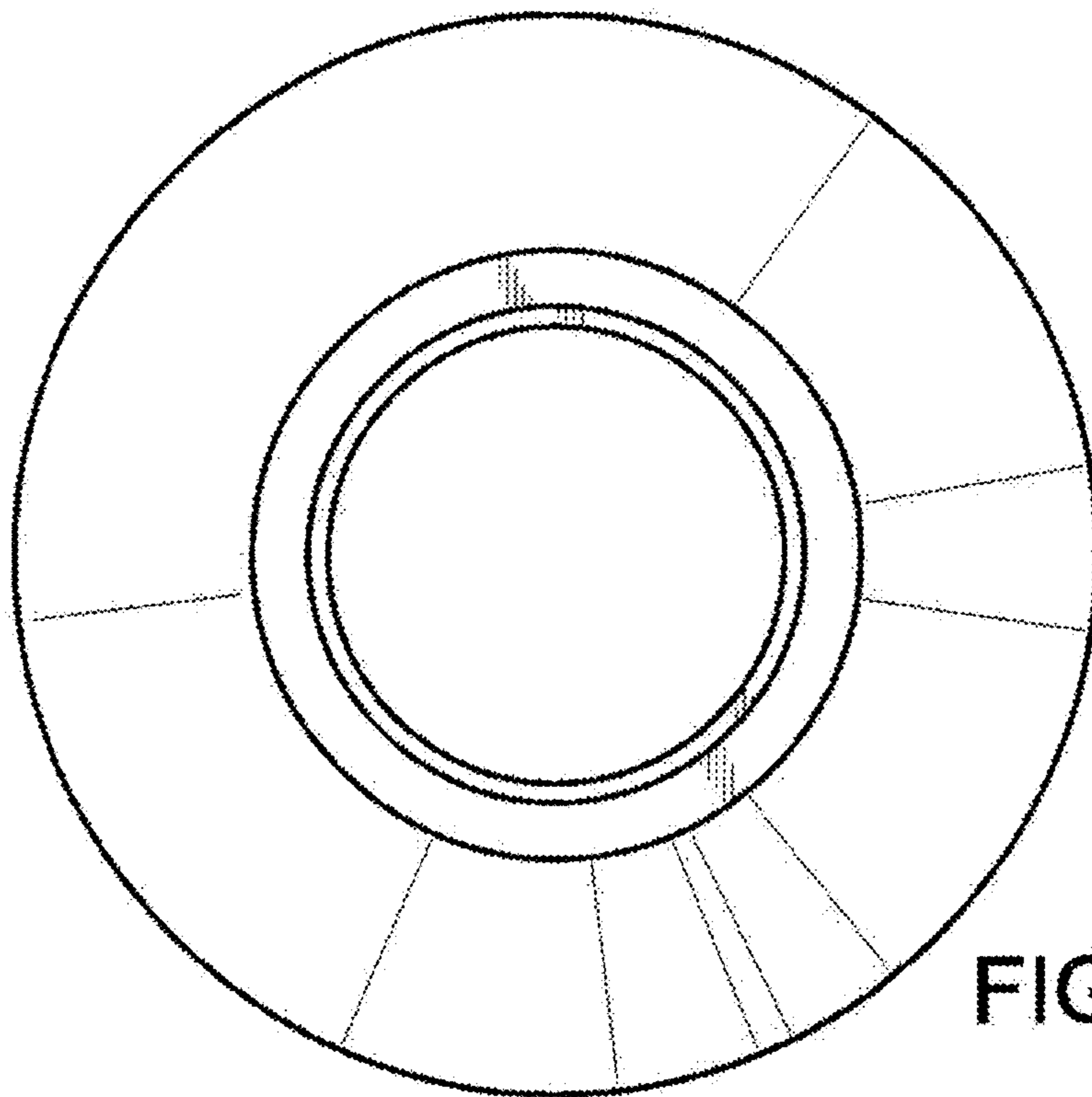


FIG. 8