



US00D851220S

(12) **United States Design Patent**
Thompson

(10) **Patent No.:** **US D851,220 S**

(45) **Date of Patent:** **** Jun. 11, 2019**

(54) **POOL RETURN FITTING**

(71) Applicant: **Dawn Marie Thompson**, Palm Harbor, FL (US)

(72) Inventor: **Dawn Marie Thompson**, Palm Harbor, FL (US)

(**) Term: **15 Years**

(21) Appl. No.: **29/620,708**

(22) Filed: **May 4, 2017**

(51) **LOC (11) Cl.** **23-01**

(52) **U.S. Cl.**
USPC **D23/259**

(58) **Field of Classification Search**
USPC D23/233, 259-261; 4/507, 541.1, 541.6, 4/492, 679, 695; 251/215, 216; 285/58, 285/291.1, 291.2
CPC ... E03C 1/26; E03C 1/264; E03C 1/28; E03C 1/262; E04H 4/12; E04H 4/169
See application file for complete search history.

(56) **References Cited**

U.S. PATENT DOCUMENTS

2,777,532 A * 1/1957 Sisk B63B 13/00
210/165
3,742,525 A * 7/1973 Oropallo E03C 1/22
4/288

4,146,939 A * 4/1979 Izzi E03F 5/0409
4/286
6,578,207 B1 * 6/2003 Fratilla A61H 33/6063
4/492
D478,653 S * 8/2003 Fratilla D23/213
D682,994 S * 5/2013 Schulz D23/259
8,695,128 B1 * 4/2014 Busbey A61H 33/6063
4/507
D749,705 S * 2/2016 Krombein D23/259
D750,208 S * 2/2016 VanderBoegh D23/268
2011/0219531 A1 * 9/2011 Walsh E04H 4/14
4/507
2013/0031711 A1 * 2/2013 Walsh E04H 4/1209
4/492
2017/0198487 A1 * 7/2017 Goettl E04H 4/169
2017/0239138 A1 * 8/2017 Afshar A61H 33/6063

* cited by examiner

Primary Examiner — Eric L Goodman
Assistant Examiner — Amy C Wierenga

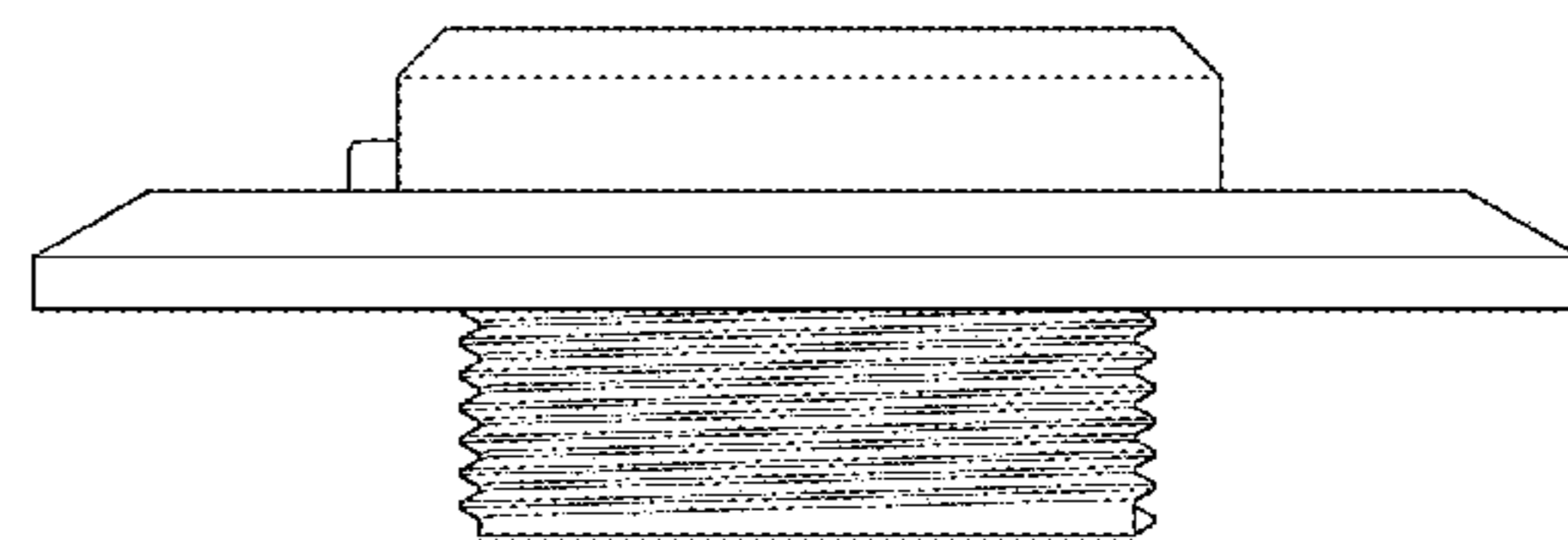
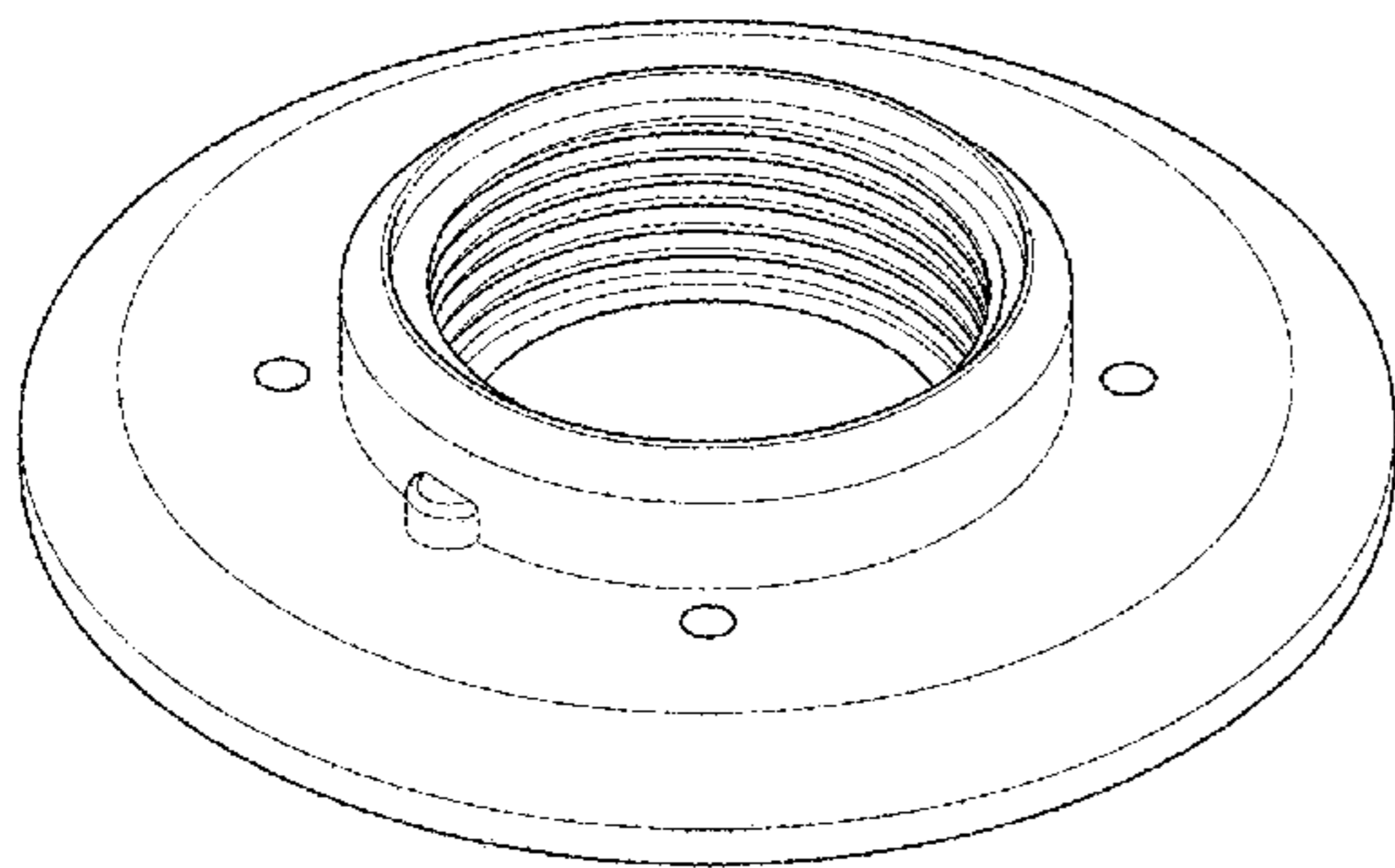
(57) **CLAIM**

The ornamental design for a pool return fitting, as shown and described.

DESCRIPTION

FIG. 1. is a perspective view of a pool return fitting.
FIG. 2. is a side elevation view of a pool return fitting.
FIG. 3. is a front elevation view of a pool return fitting; and,
FIG. 4. is a top view of a pool return fitting.

1 Claim, 4 Drawing Sheets



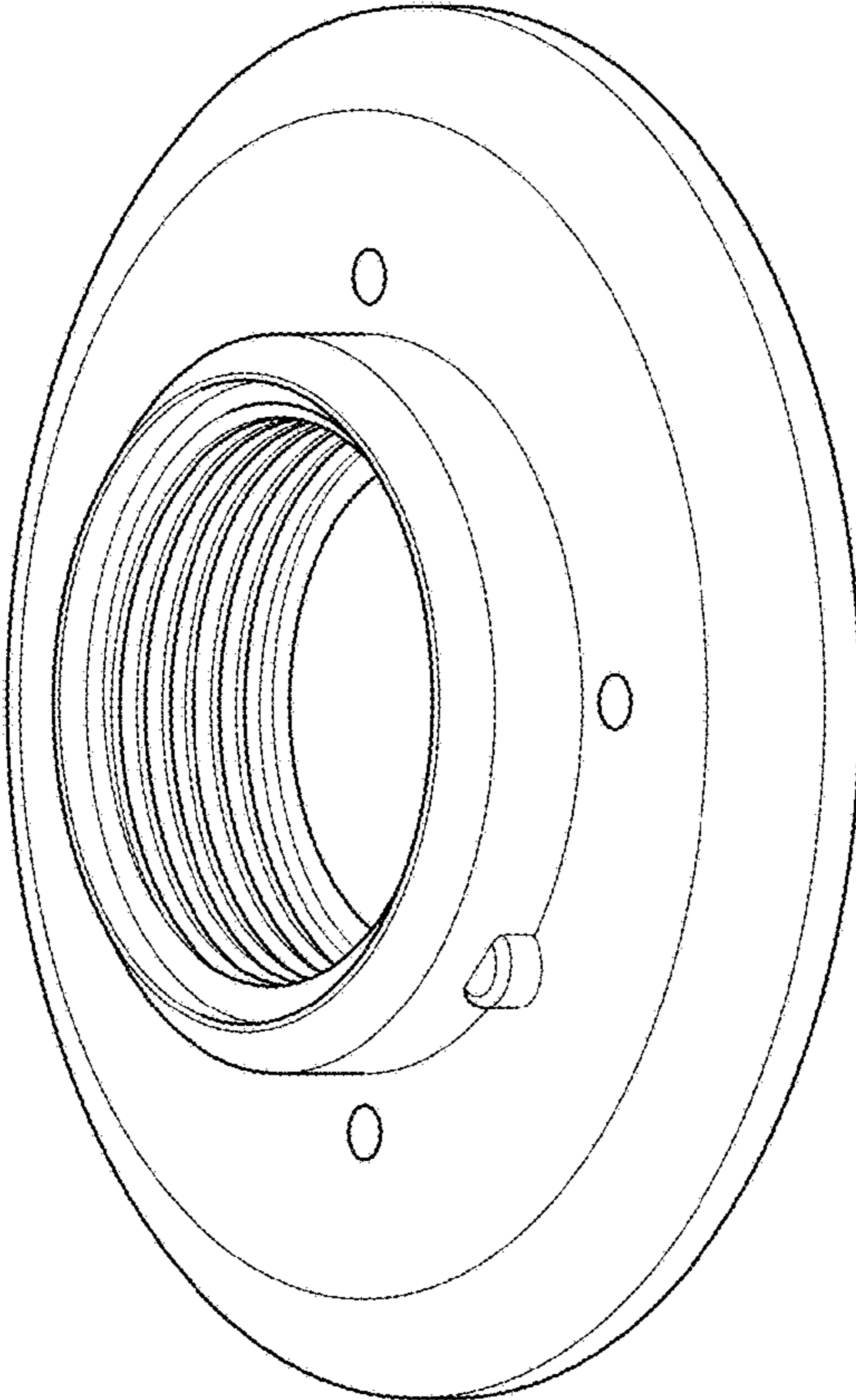


FIG. 1

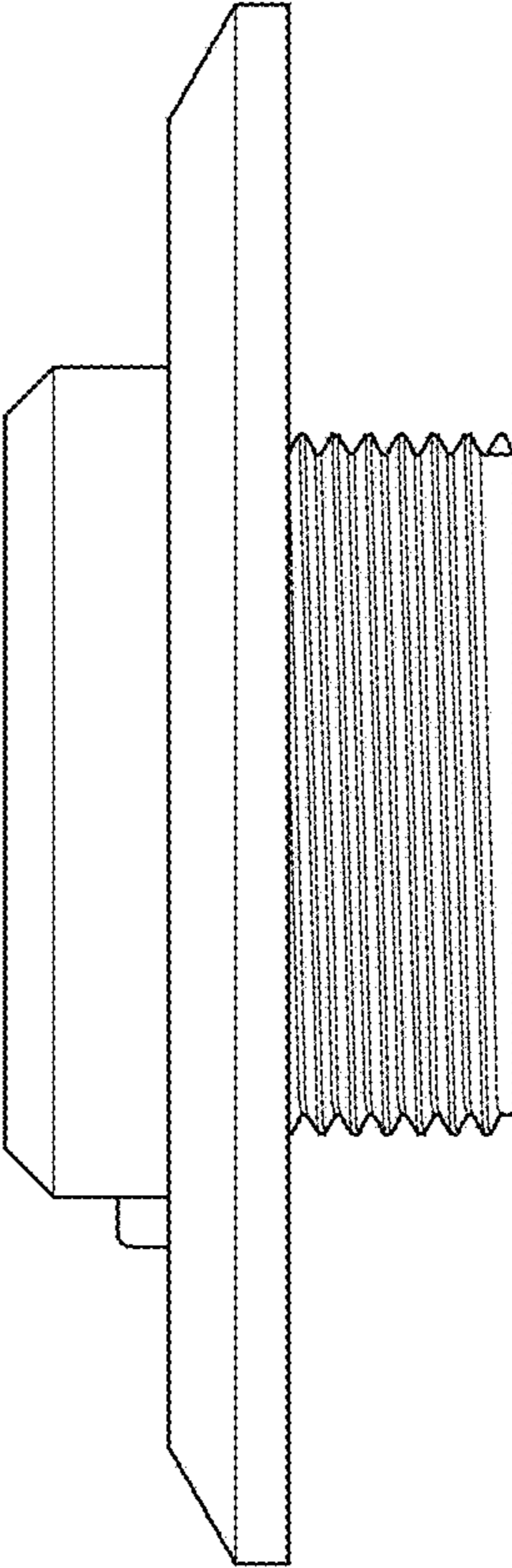


FIG. 2

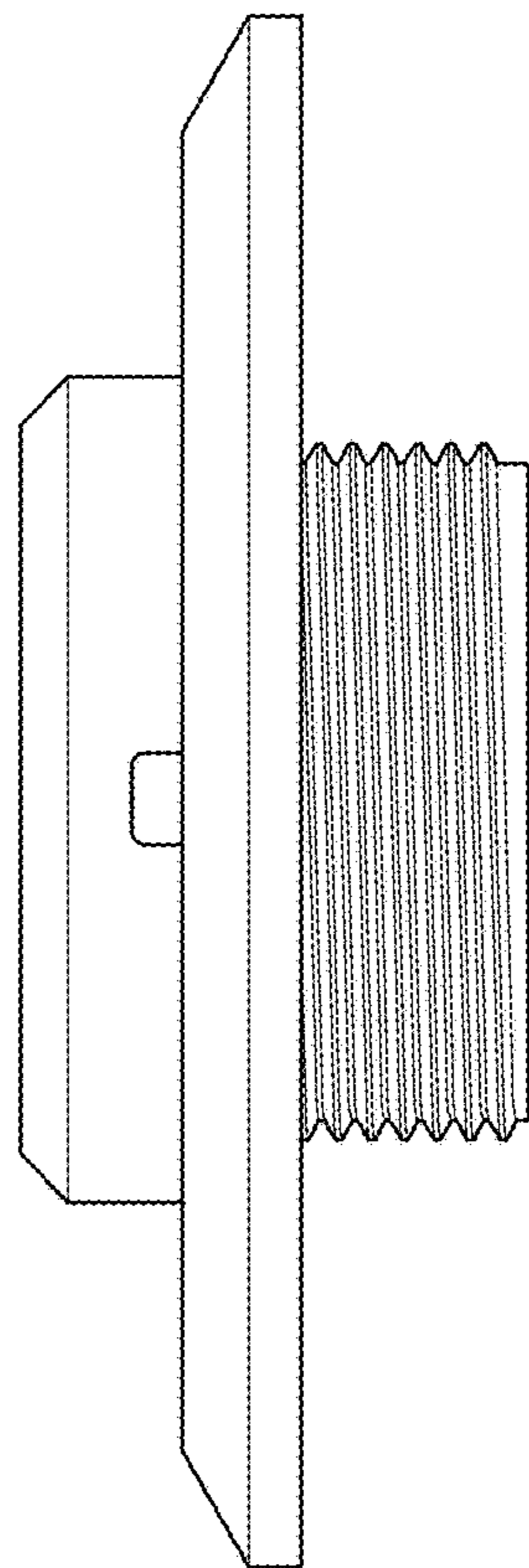


FIG. 3

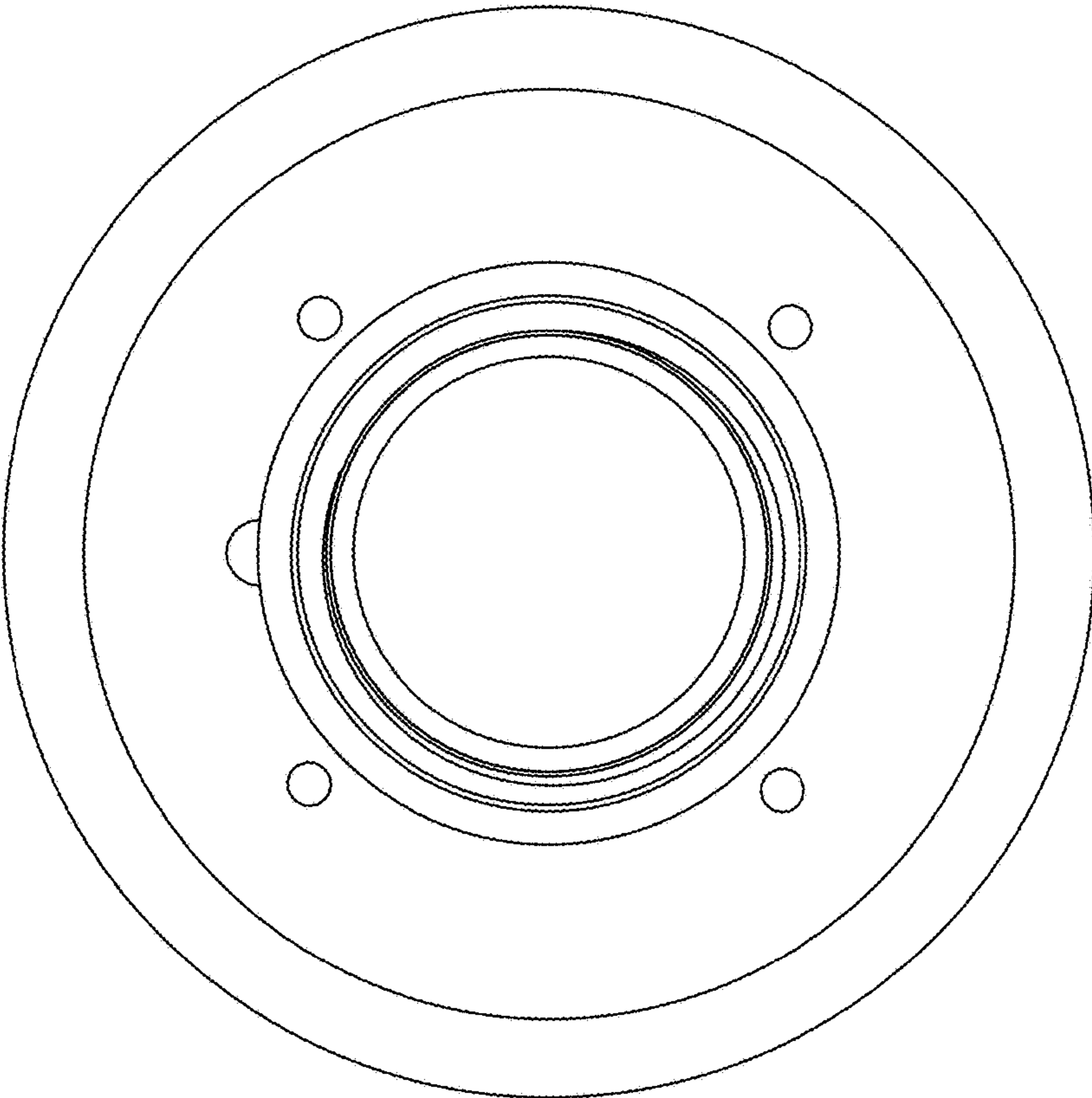


FIG. 4