



US00D851219S

(12) **United States Design Patent**  
**Chen**

(10) **Patent No.:** **US D851,219 S**

(45) **Date of Patent:** **\*\* Jun. 11, 2019**

(54) **FAUCET HANDLE**

(71) Applicant: **Hui Chen**, Wenzhou (CN)

(72) Inventor: **Hui Chen**, Wenzhou (CN)

(\*\*) Term: **15 Years**

(21) Appl. No.: **29/647,922**

(22) Filed: **May 16, 2018**

(51) **LOC (11) Cl.** ..... **23-01**

(52) **U.S. Cl.**  
USPC ..... **D23/252**

(58) **Field of Classification Search**  
USPC ..... D23/238-243, 249-250, 252, 254;  
D8/307-308

CPC ..... Y10T 137/9464  
See application file for complete search history.

(56) **References Cited**

**U.S. PATENT DOCUMENTS**

D357,305 S \* 4/1995 Fabian ..... D23/252  
D467,306 S \* 12/2002 Lord ..... D23/238  
D523,530 S \* 6/2006 Schaffeld ..... D23/252

D583,020 S \* 12/2008 Downey ..... D23/250  
D651,285 S \* 12/2011 Fritz ..... D23/250  
D792,952 S \* 7/2017 Fritz ..... D23/252

\* cited by examiner

*Primary Examiner* — Robert A Delehanty

(74) *Attorney, Agent, or Firm* — Raymond Y. Chan;  
David and Raymond Patent Firm

(57) **CLAIM**

The ornamental design for a faucet handle, as shown and described.

**DESCRIPTION**

FIG. 1 is a perspective view of the faucet handle showing my new design;

FIG. 2 is a left view thereof;

FIG. 3 is a right view thereof;

FIG. 4 is a front view thereof;

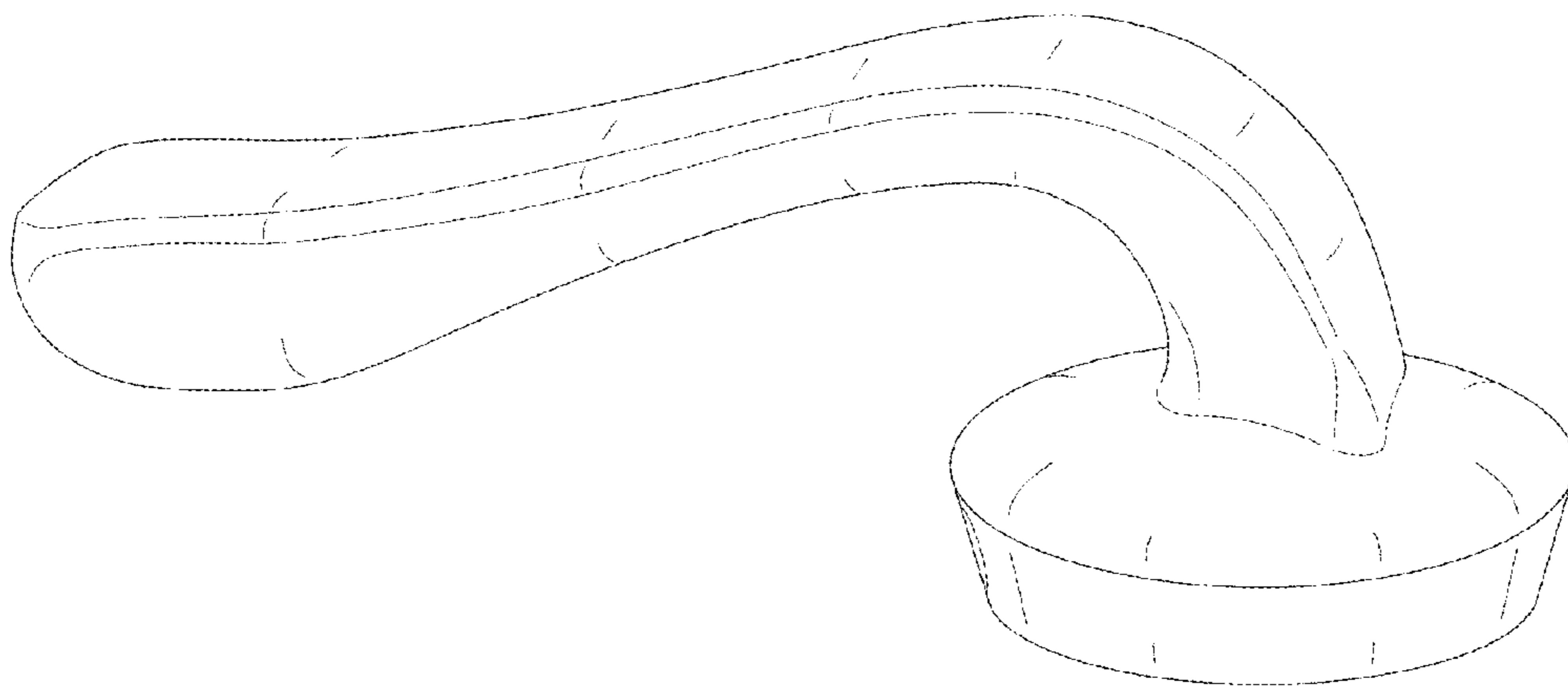
FIG. 5 is a rear view thereof;

FIG. 6 is a top perspective view thereof; and,

FIG. 7 is a bottom perspective view thereof.

The broken lines represent unclaimed portions of the design article. All of the broken lines forms no part of the claimed design.

**1 Claim, 7 Drawing Sheets**



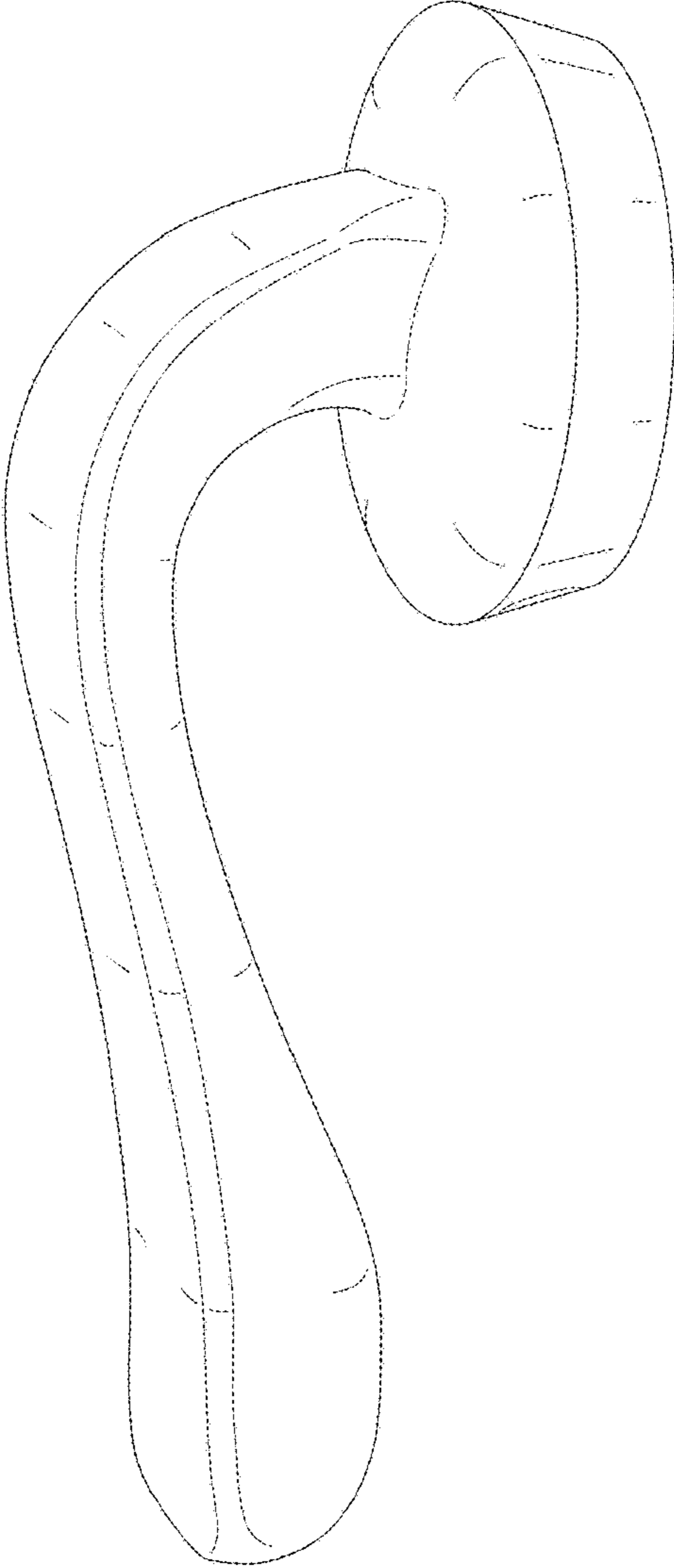


FIG. 1

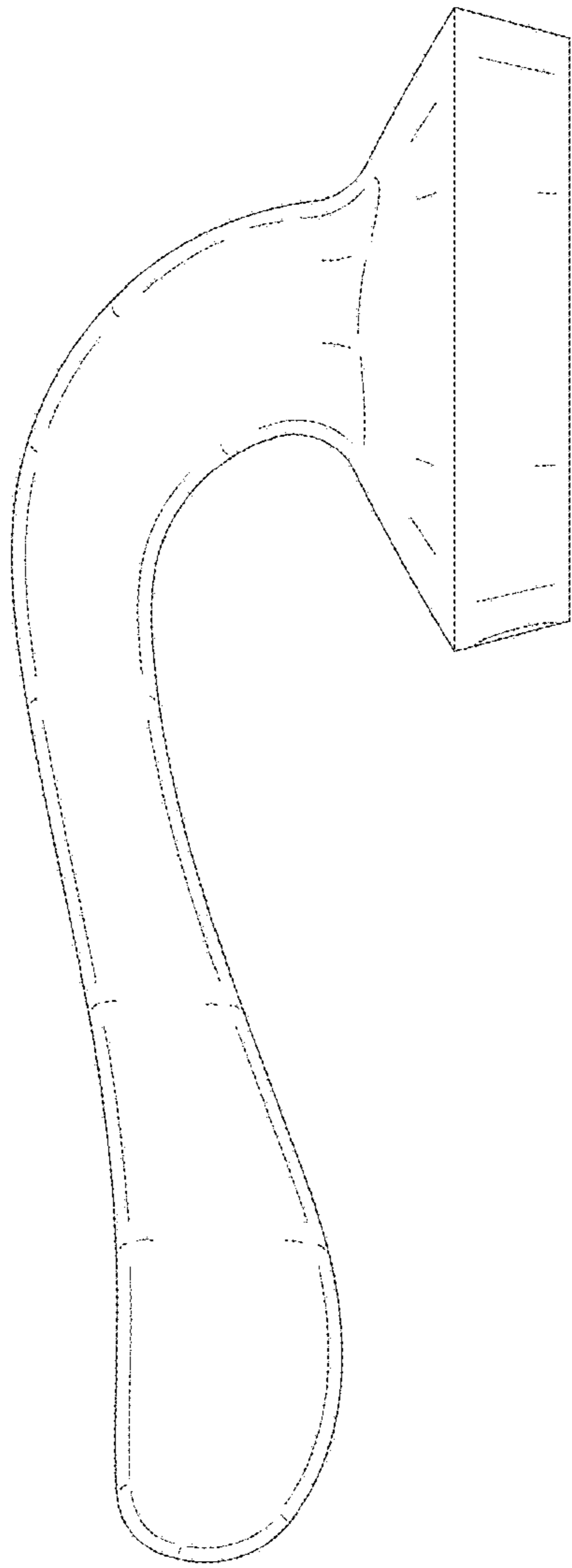


FIG. 2

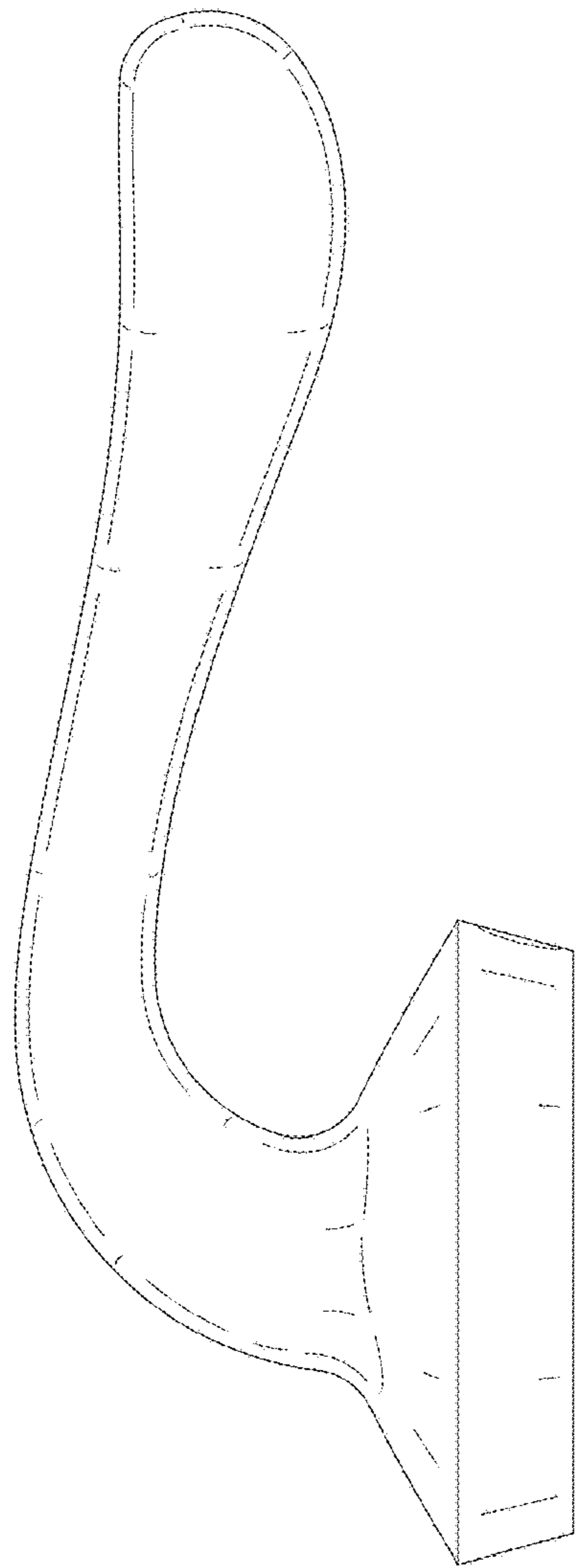


FIG. 3

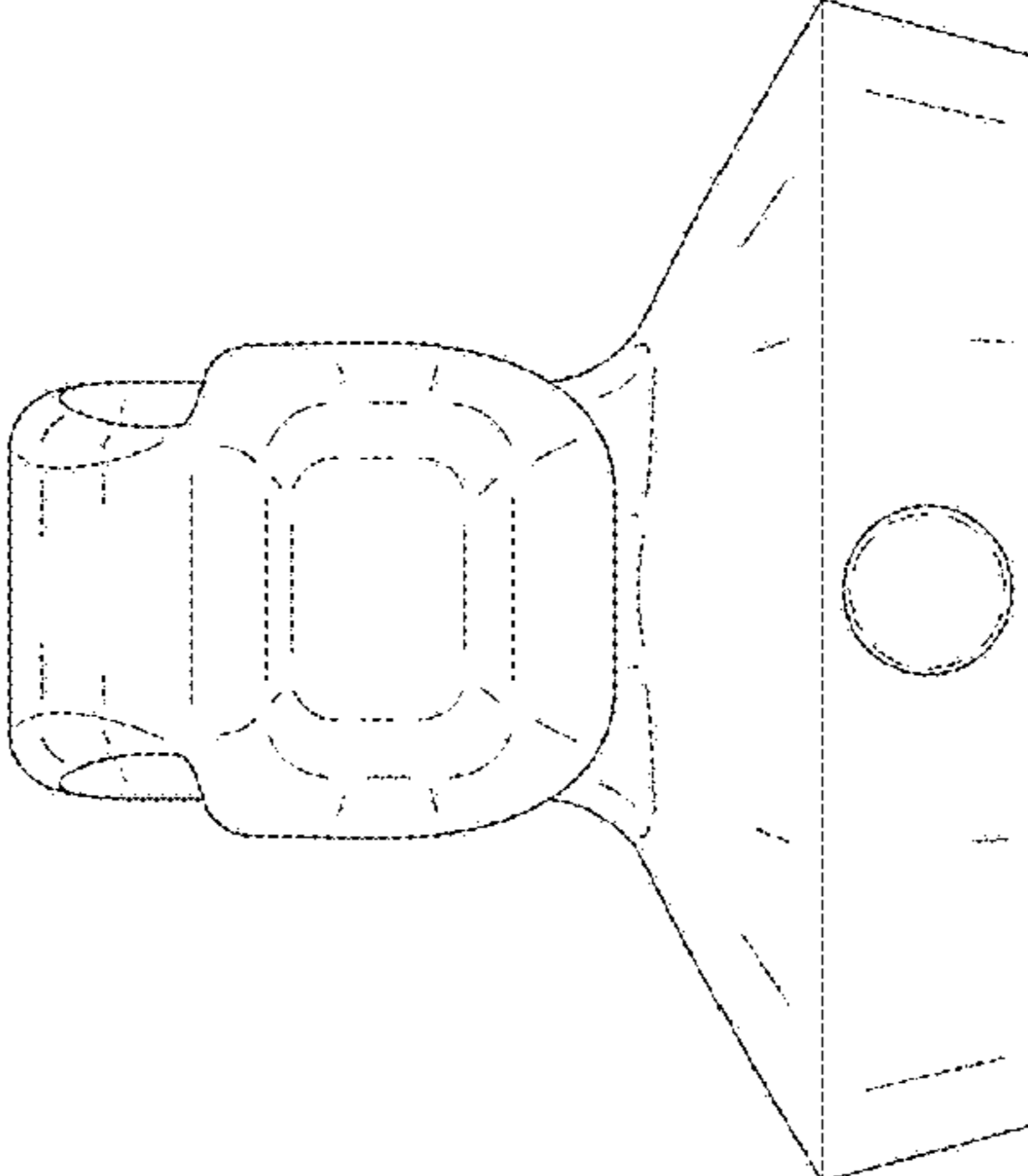


FIG. 4

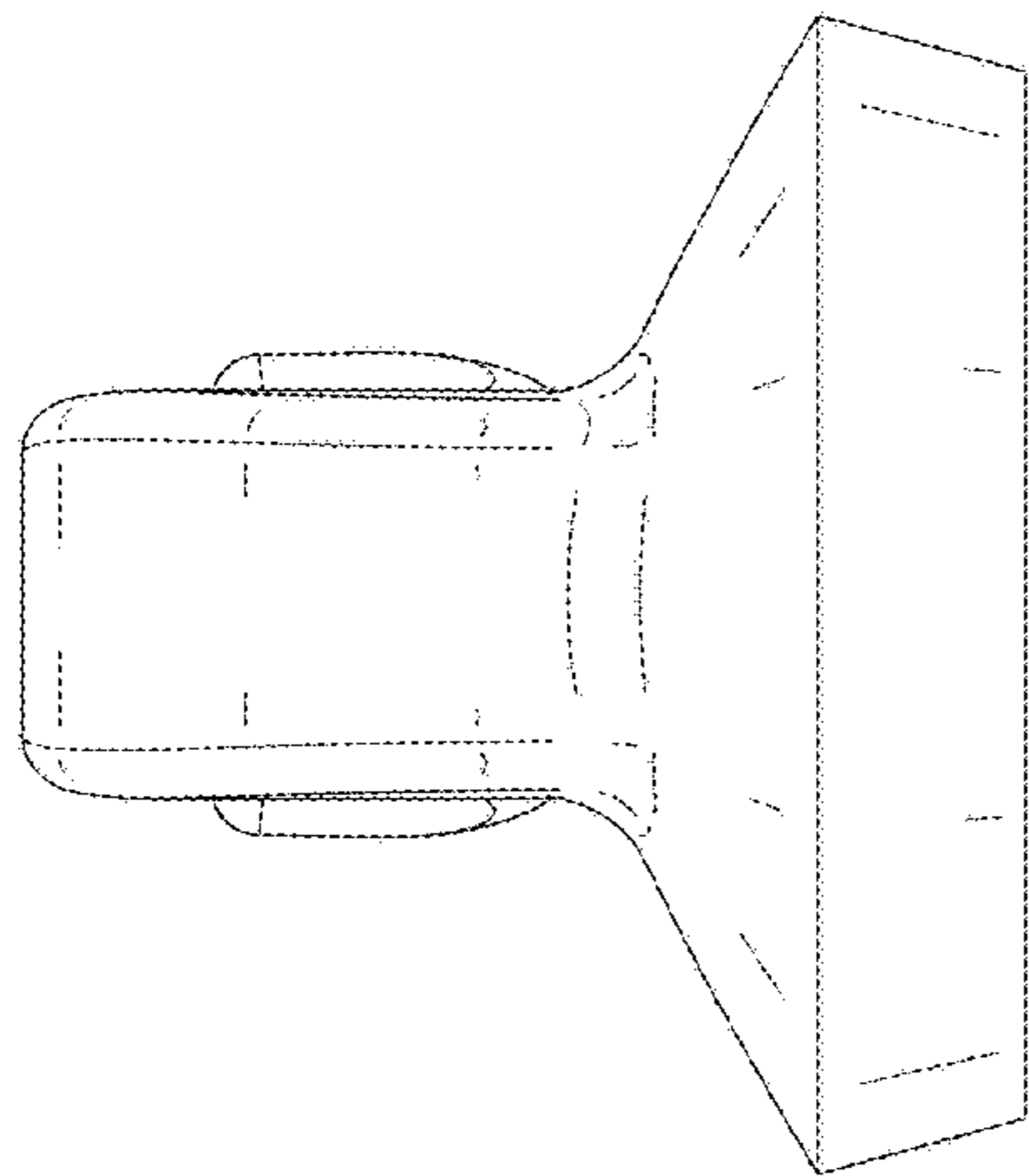


FIG. 5

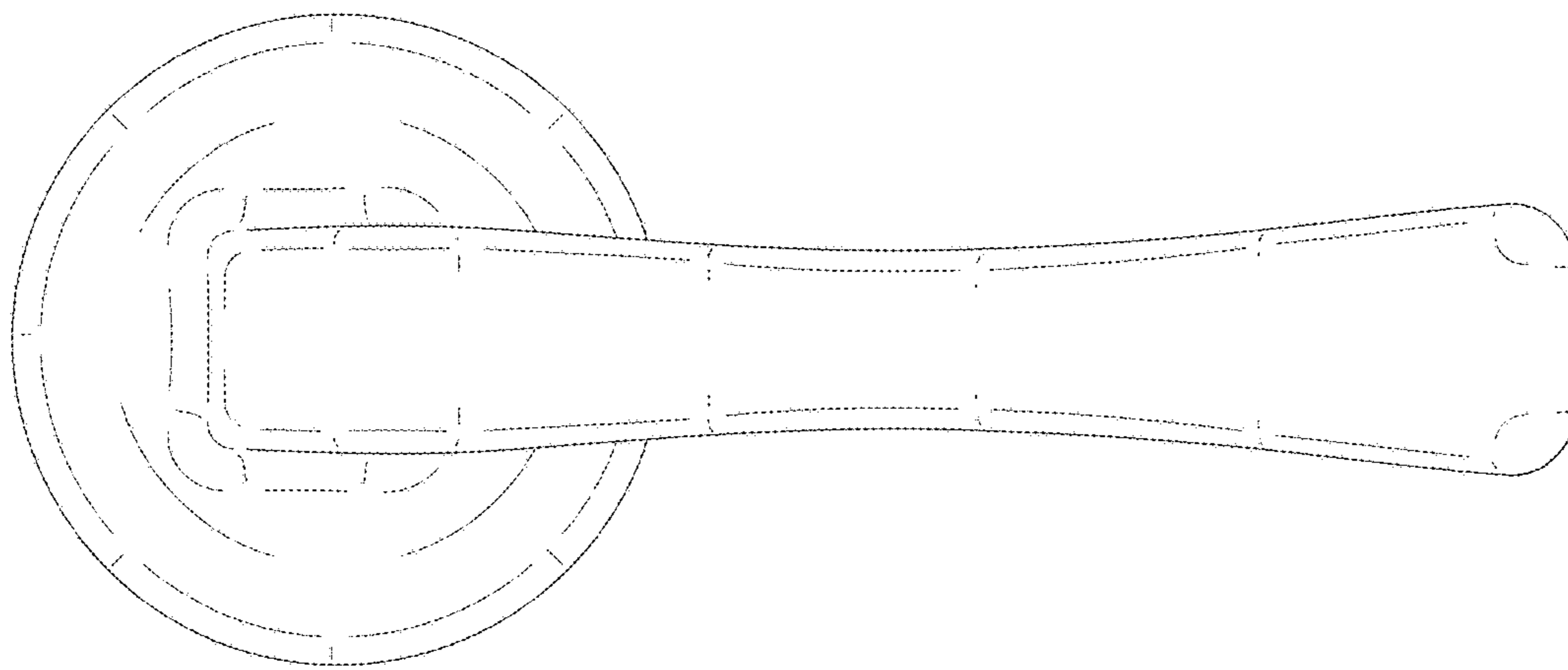


FIG. 6

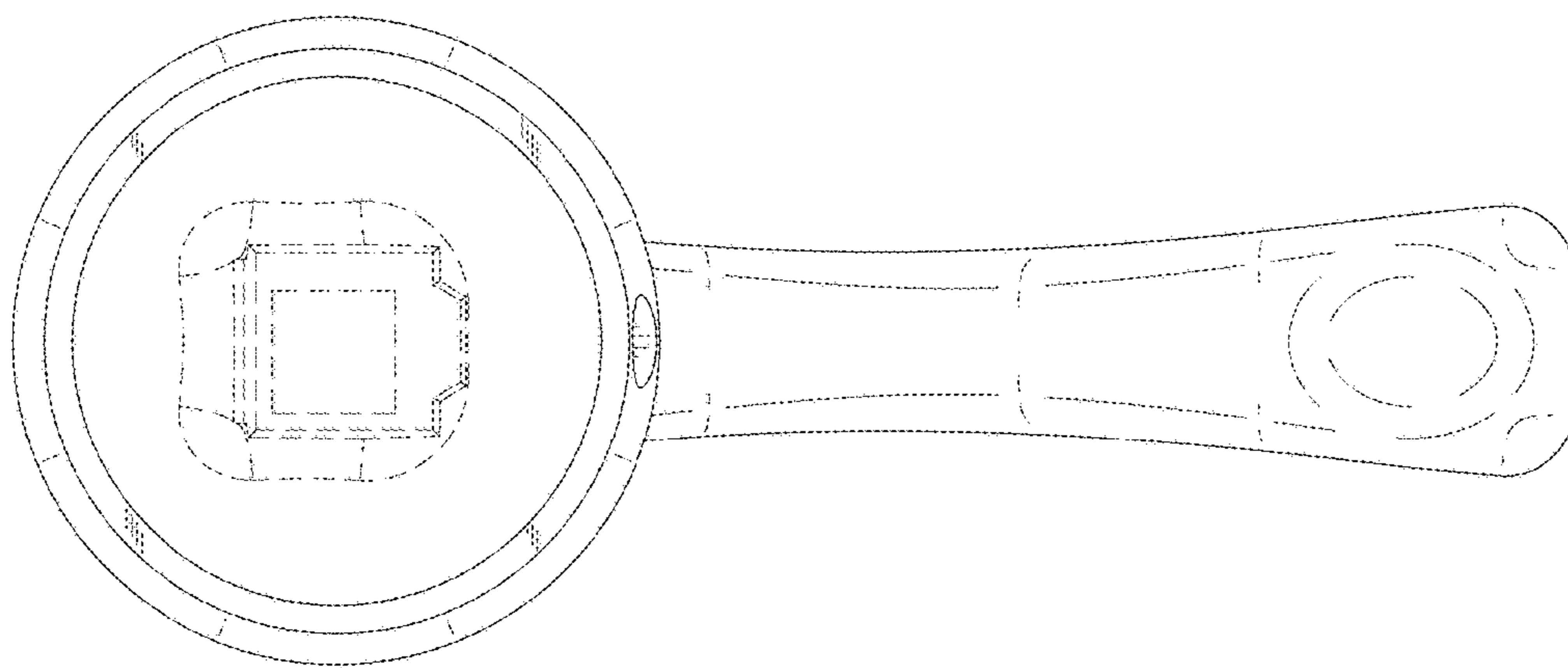


FIG. 7