



US00D851217S

(12) **United States Design Patent** (10) **Patent No.:** **US D851,217 S**
Chen (45) **Date of Patent:** **** Jun. 11, 2019**

(54) **FAUCET HANDLE**

(71) Applicant: **Hui Chen**, Wenzhou (CN)

(72) Inventor: **Hui Chen**, Wenzhou (CN)

(**) Term: **15 Years**

(21) Appl. No.: **29/643,388**

(22) Filed: **Apr. 8, 2018**

(51) **LOC (11) Cl.** **23-01**

(52) **U.S. Cl.**
USPC **D23/252**

(58) **Field of Classification Search**
USPC D23/238-243, 249-250, 252, 254;
D8/307-308

CPC Y10T 137/9464
See application file for complete search history.

(56) **References Cited**

U.S. PATENT DOCUMENTS

D583,020 S * 12/2008 Downey D23/250
D596,713 S * 7/2009 Haug D23/252
D651,285 S * 12/2011 Fritz D23/250

* cited by examiner

Primary Examiner — Robert A Delehanty

(74) *Attorney, Agent, or Firm* — Raymond Y. Chan;
David and Raymond Patent Firm

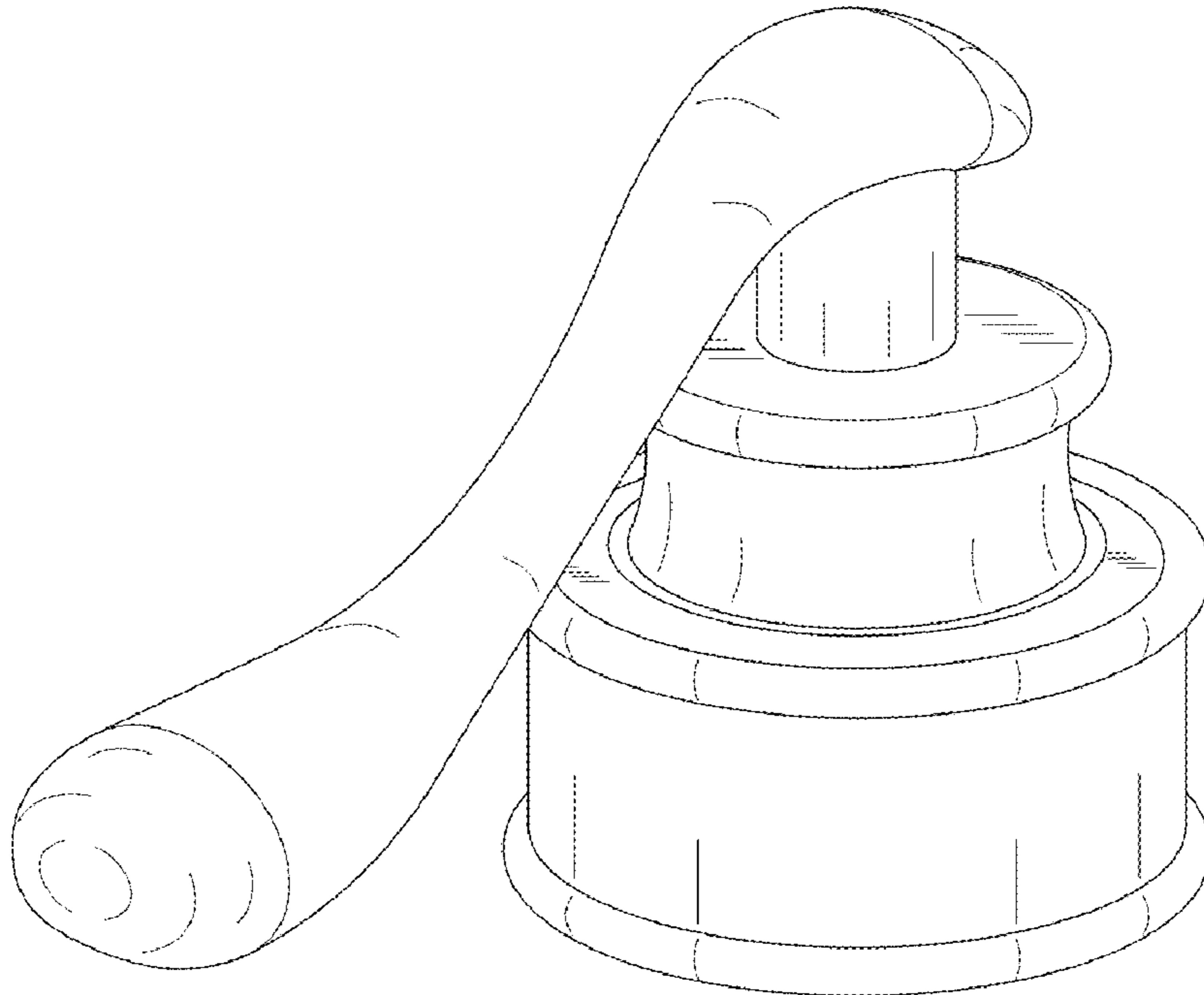
(57) **CLAIM**

The ornamental design for a faucet handle, as shown and described.

DESCRIPTION

FIG. 1 is a perspective view of the faucet handle showing my new design;
FIG. 2 is a right view thereof;
FIG. 3 is a left view thereof;
FIG. 4 is a front view thereof;
FIG. 5 is a rear view thereof;
FIG. 6 is a top perspective view thereof; and,
FIG. 7 is a bottom perspective view thereof.
The broken lines represent unclaimed portions of the design article. All of the broken lines forms no part of the claimed design.

1 Claim, 7 Drawing Sheets



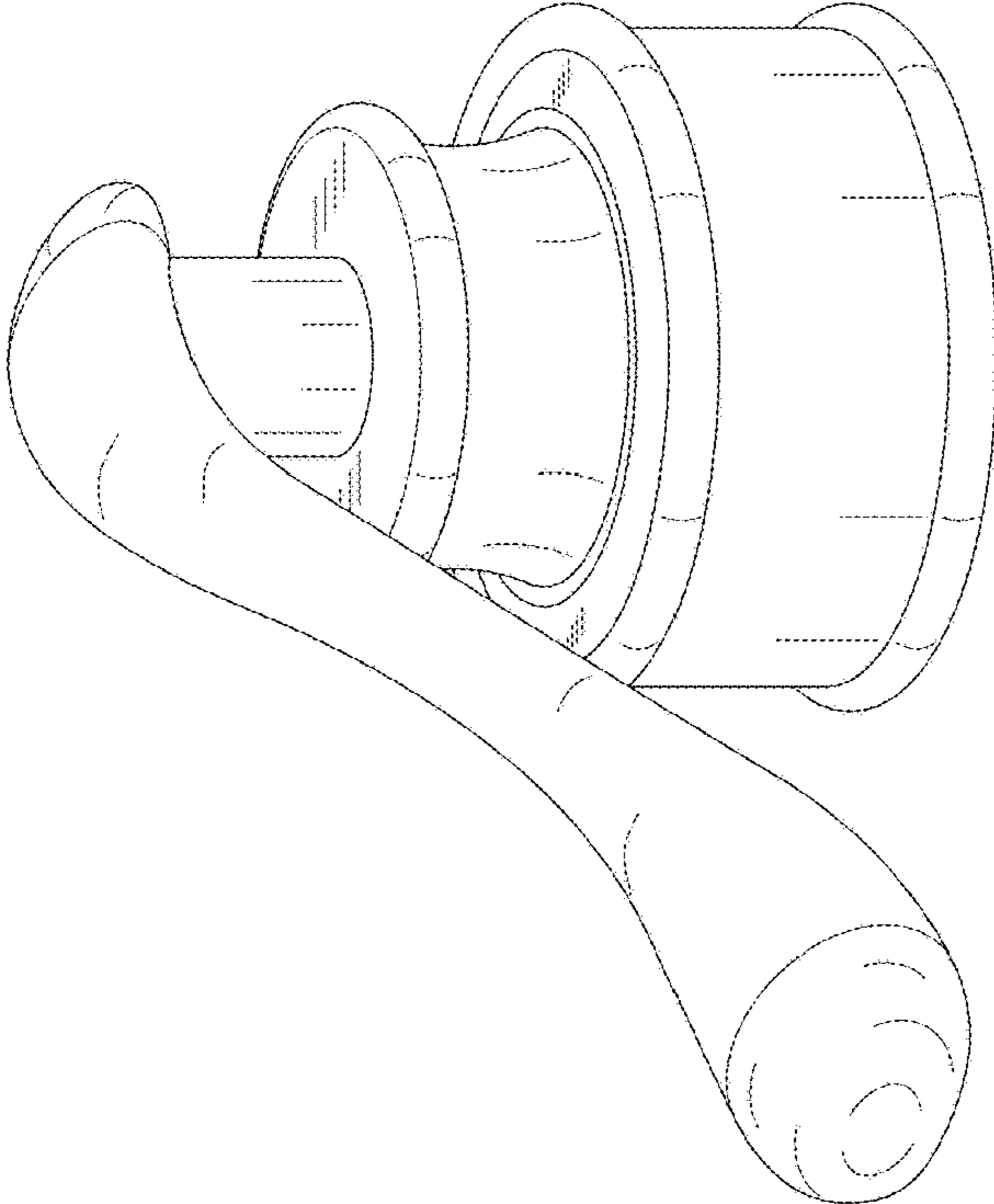


FIG. 1

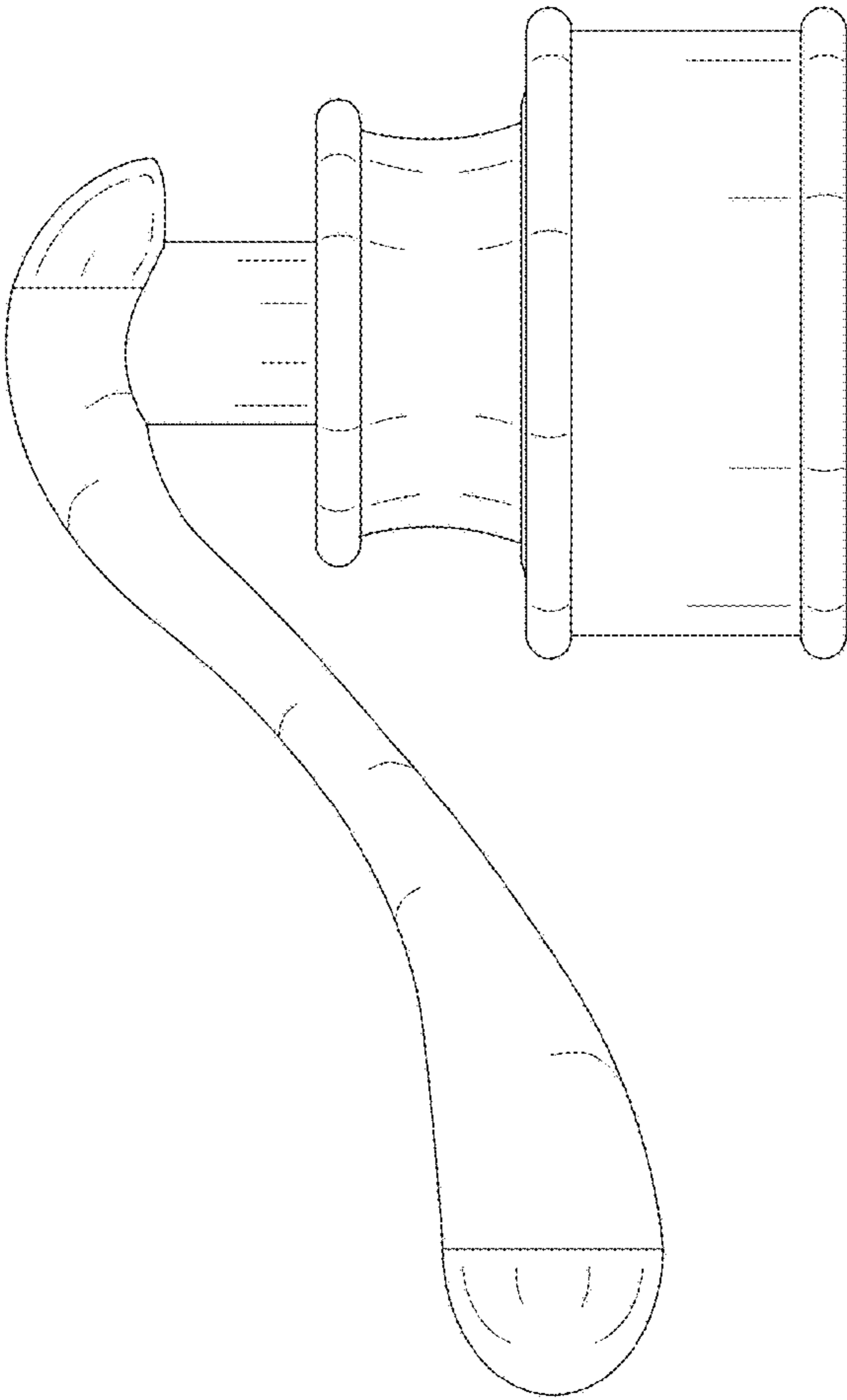


FIG. 2

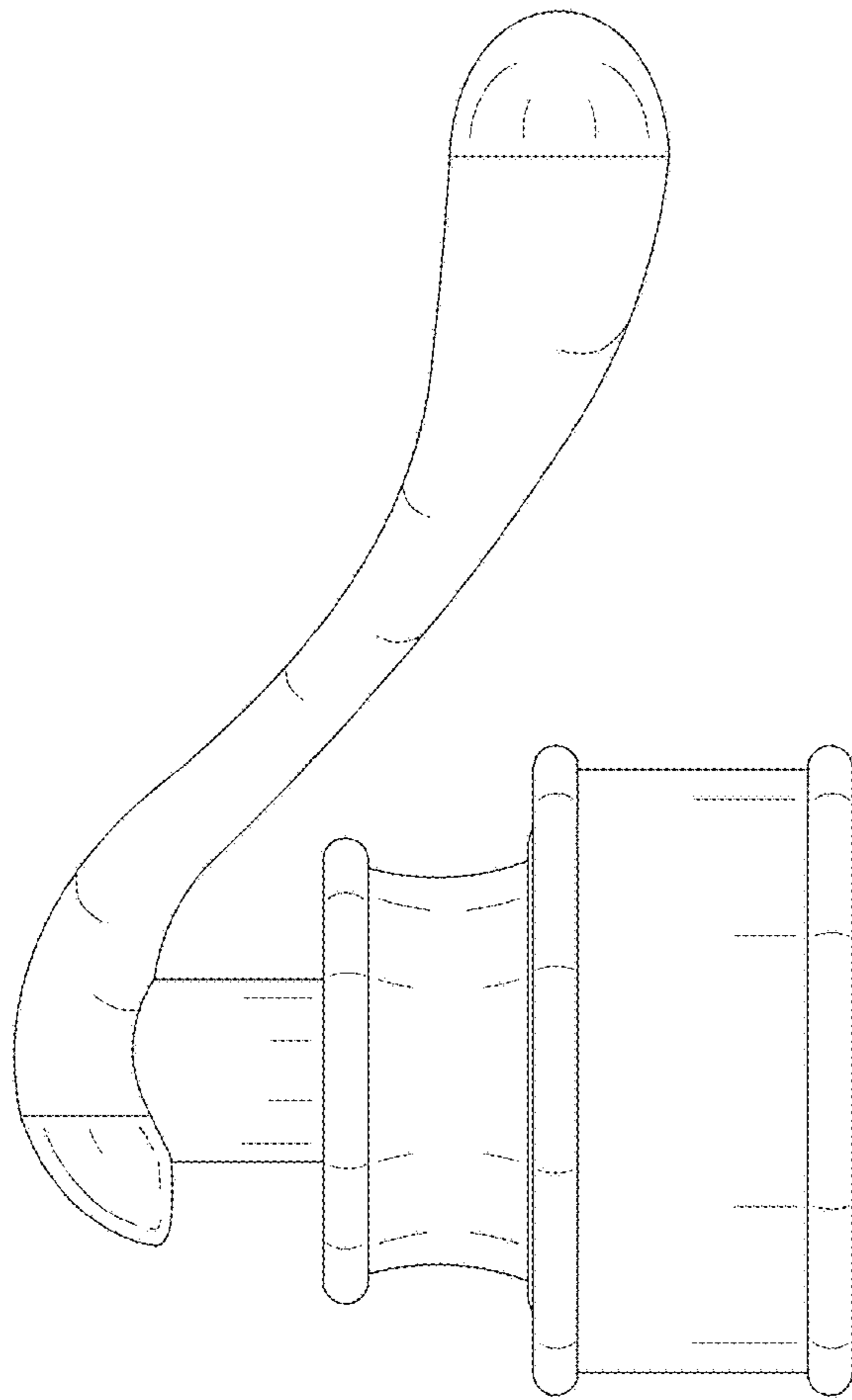


FIG. 3

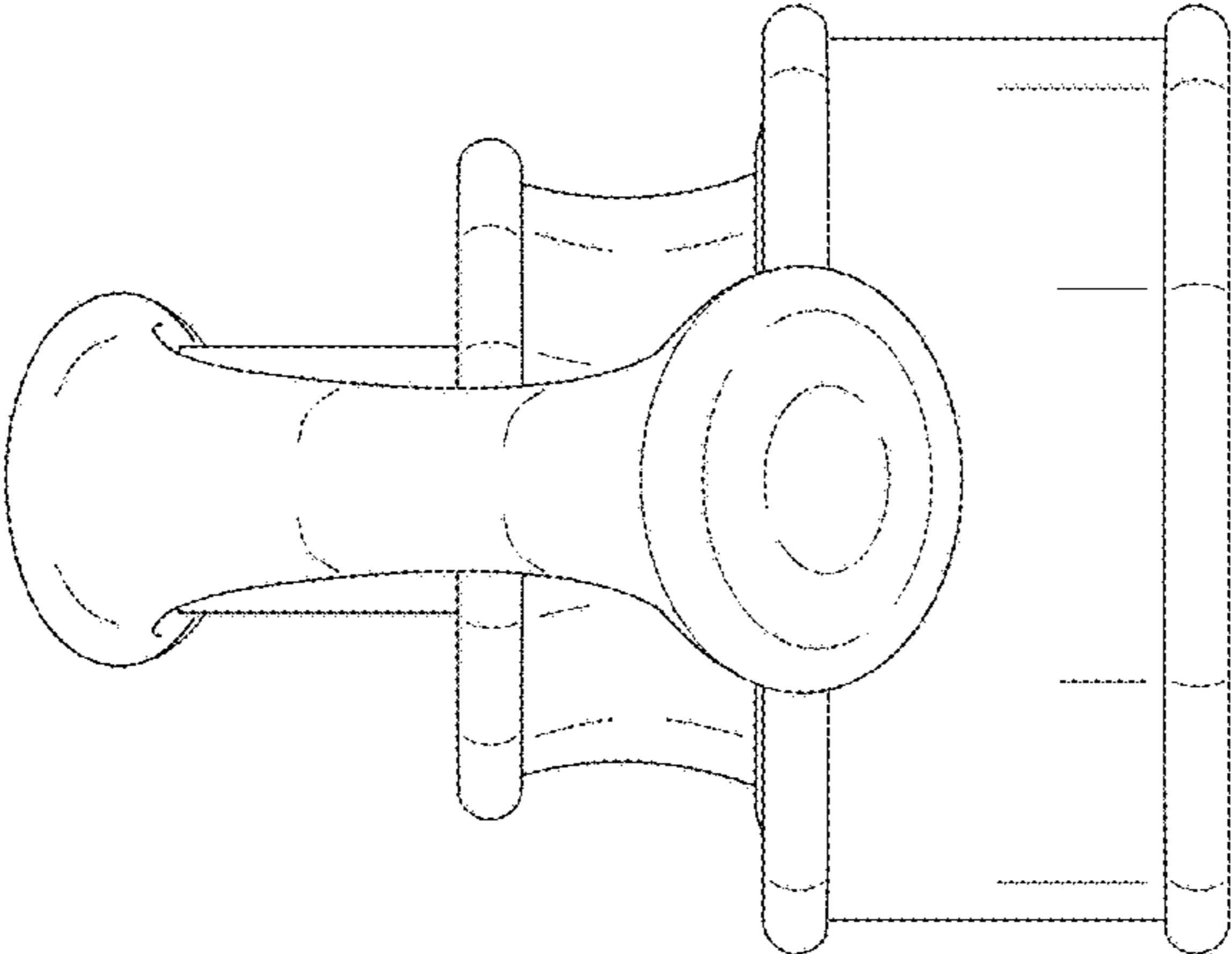


FIG. 4

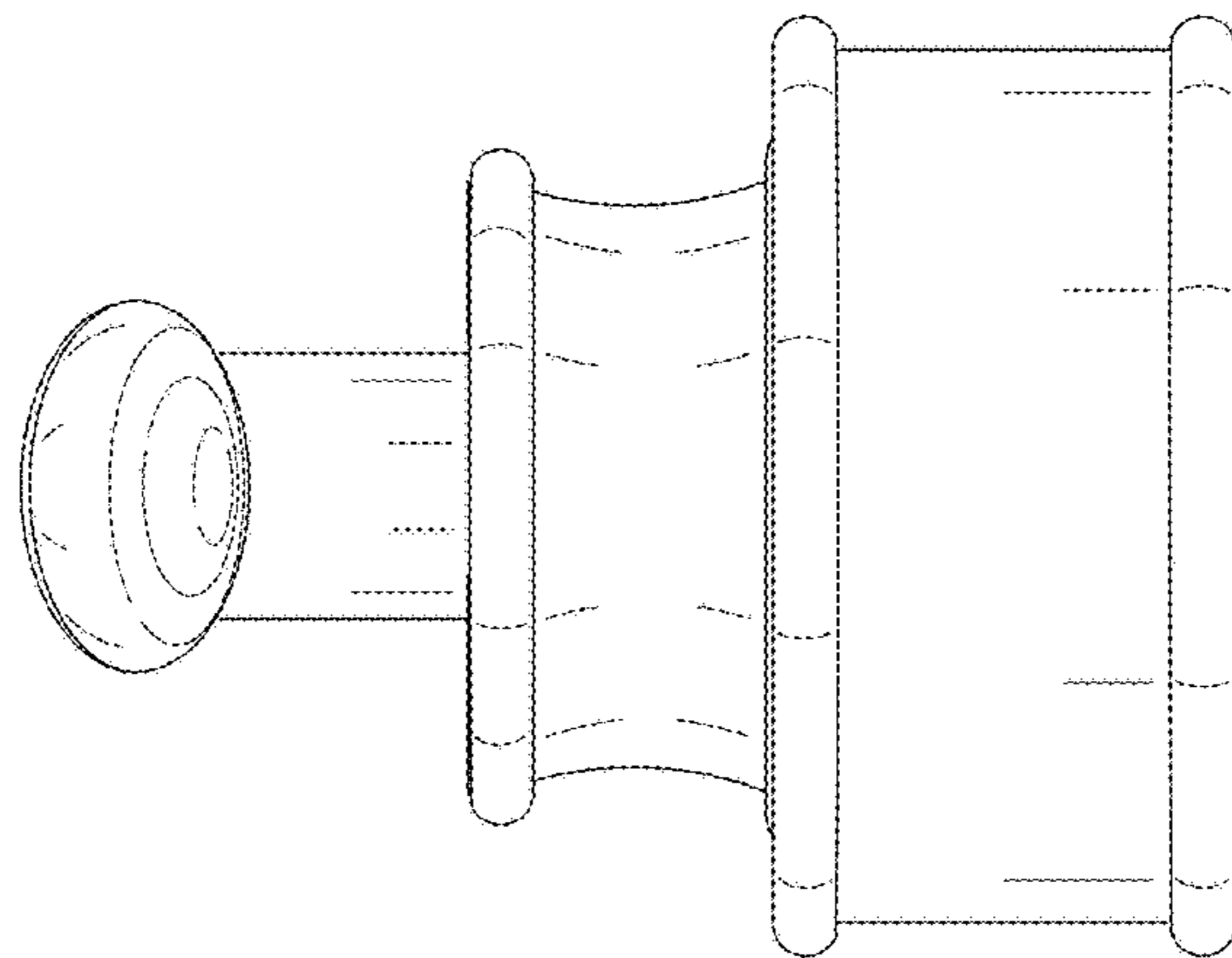


FIG. 5

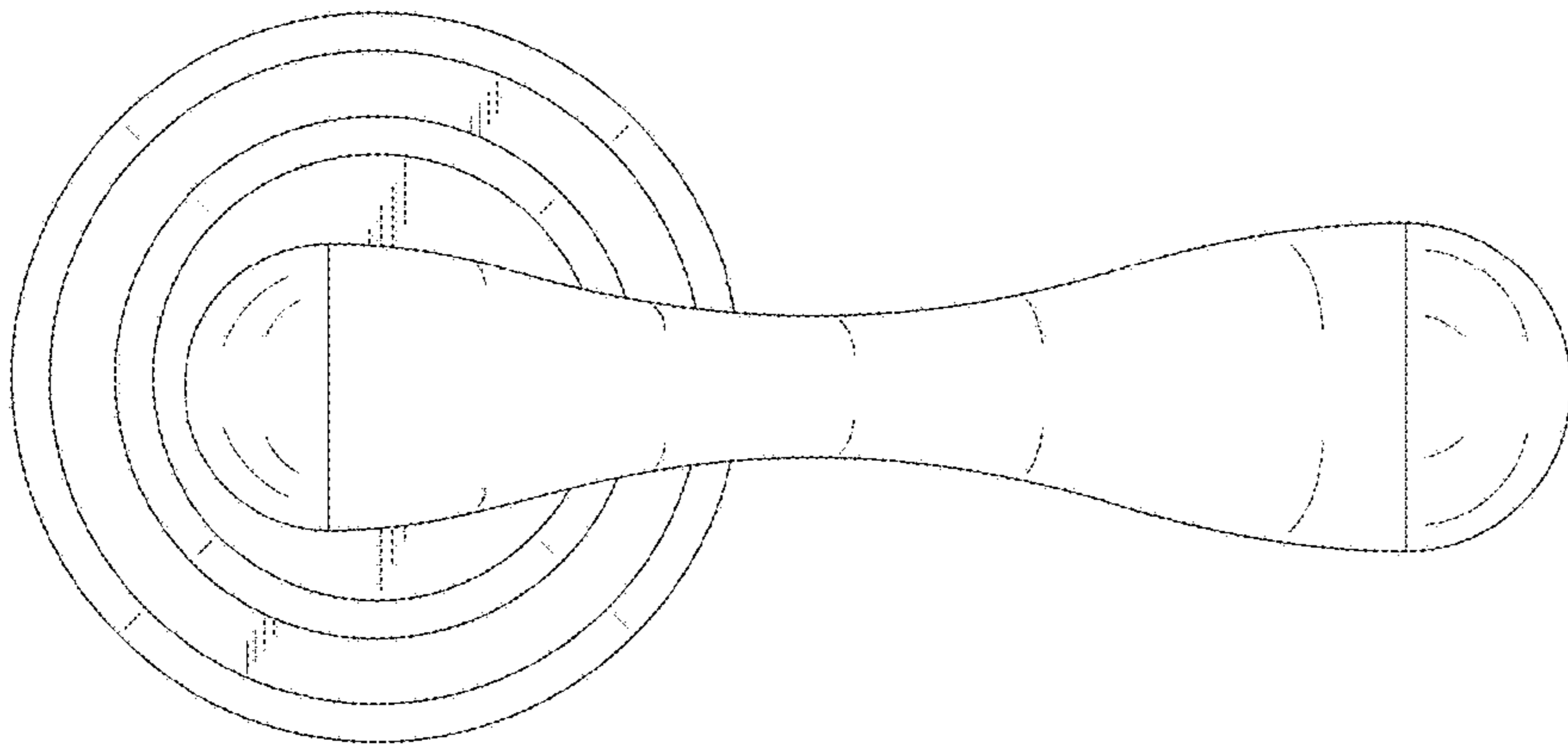


FIG. 6

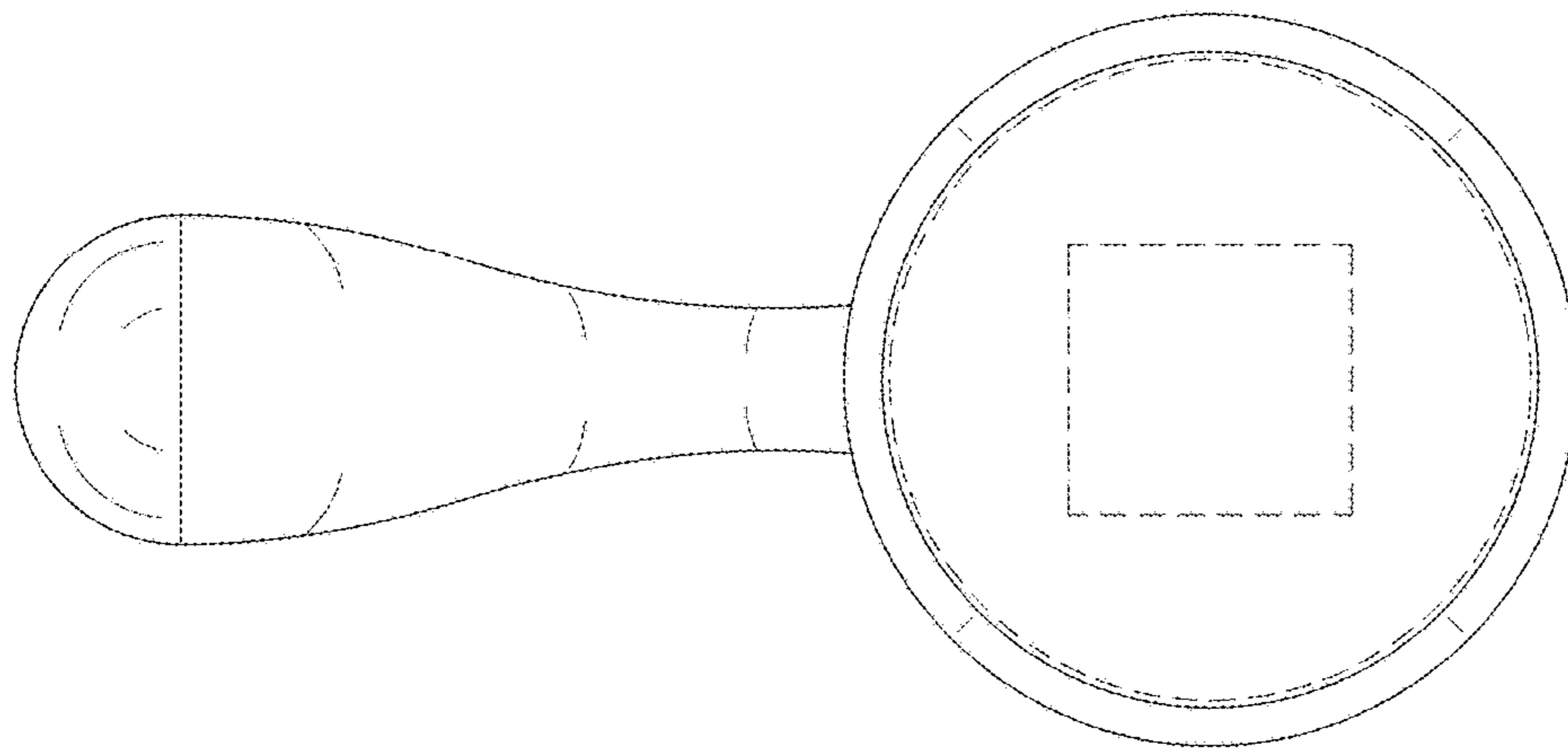


FIG. 7