



US00D851216S

(12) **United States Design Patent**  
**Fang**

(10) **Patent No.:** **US D851,216 S**

(45) **Date of Patent:** **\*\* Jun. 11, 2019**

(54) **WATER FAUCET**

(71) Applicant: **Xiaohua Fang**, Zhejiang (CN)

(72) Inventor: **Xiaohua Fang**, Zhejiang (CN)

(\*\*) Term: **15 Years**

(21) Appl. No.: **29/601,630**

(22) Filed: **Apr. 25, 2017**

(51) **LOC (11) Cl.** ..... **23-01**

(52) **U.S. Cl.**  
USPC ..... **D23/242**

(58) **Field of Classification Search**  
USPC ..... D23/238-243, 249, 255, 257;  
D8/307-308

CPC ..... E03C 1/04; E03C 1/0401; E03C 1/0402;  
E03C 1/0404; Y10T 137/9464

See application file for complete search history.

(56) **References Cited**

**U.S. PATENT DOCUMENTS**

D289,916 S \* 5/1987 Delepine ..... D23/255  
D323,550 S \* 1/1992 Delepine ..... D23/257  
D438,936 S \* 3/2001 Spangler ..... D23/249

D439,635 S \* 3/2001 Robbins ..... D23/239  
D467,644 S \* 12/2002 Panis ..... D23/241  
D468,403 S \* 1/2003 Panis ..... D23/241  
D509,883 S \* 9/2005 Xiang ..... D23/252  
D539,389 S \* 3/2007 Stein ..... D23/241

\* cited by examiner

*Primary Examiner* — Robert A Delehanty

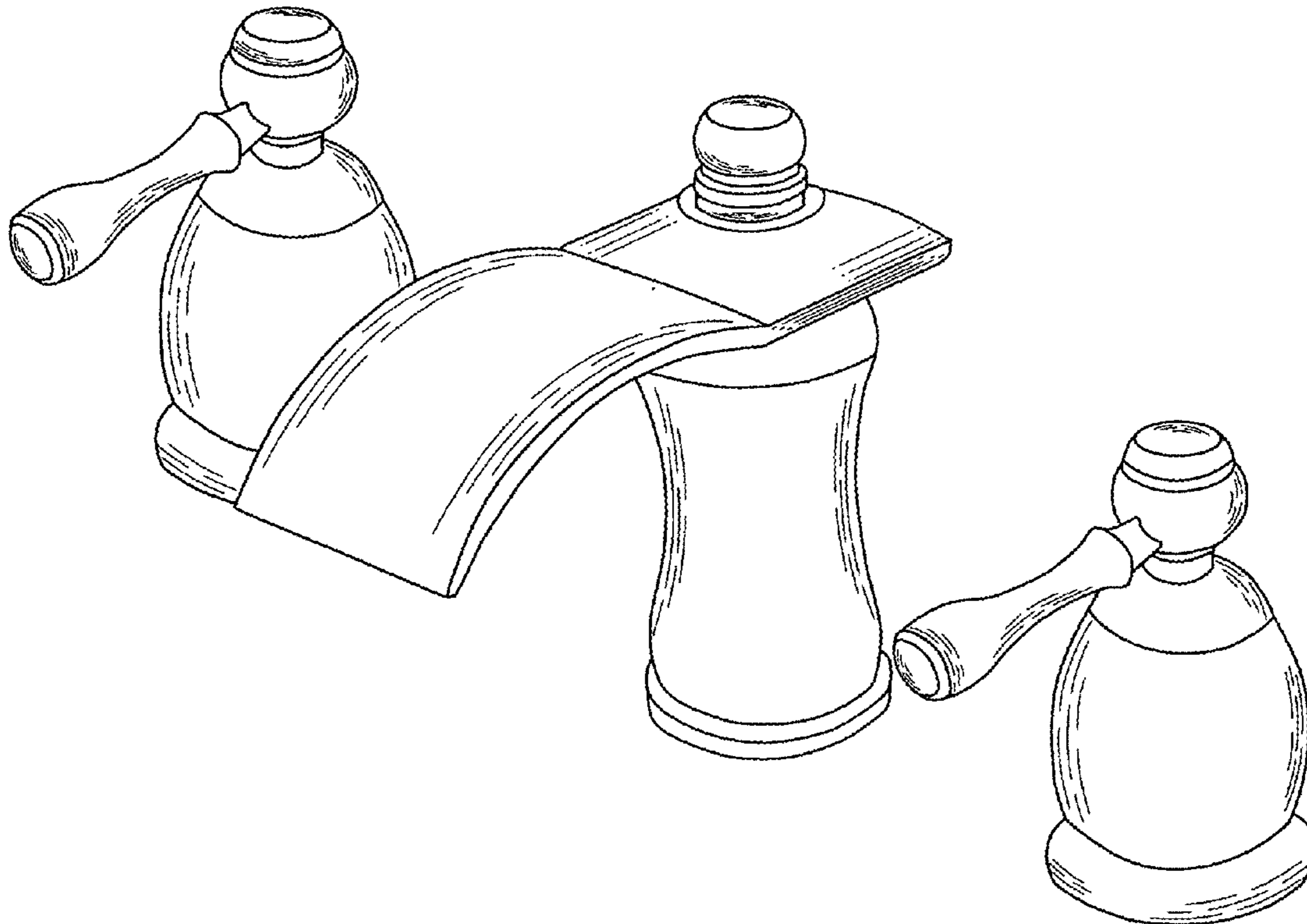
(57) **CLAIM**

I claim the ornamental design for a water faucet, as shown and described.

**DESCRIPTION**

FIG. 1 is a perspective view of a water faucet showing my new design;  
FIG. 2 is a front elevational view thereof;  
FIG. 3 is a rear elevational view thereof;  
FIG. 4 is a left side elevational view thereof;  
FIG. 5 is a right side elevational view thereof;  
FIG. 6 is a top plan view thereof; and,  
FIG. 7 is a bottom plan view thereof.  
The broken lines shown depict environment that forms no part of the claimed design.

**1 Claim, 7 Drawing Sheets**



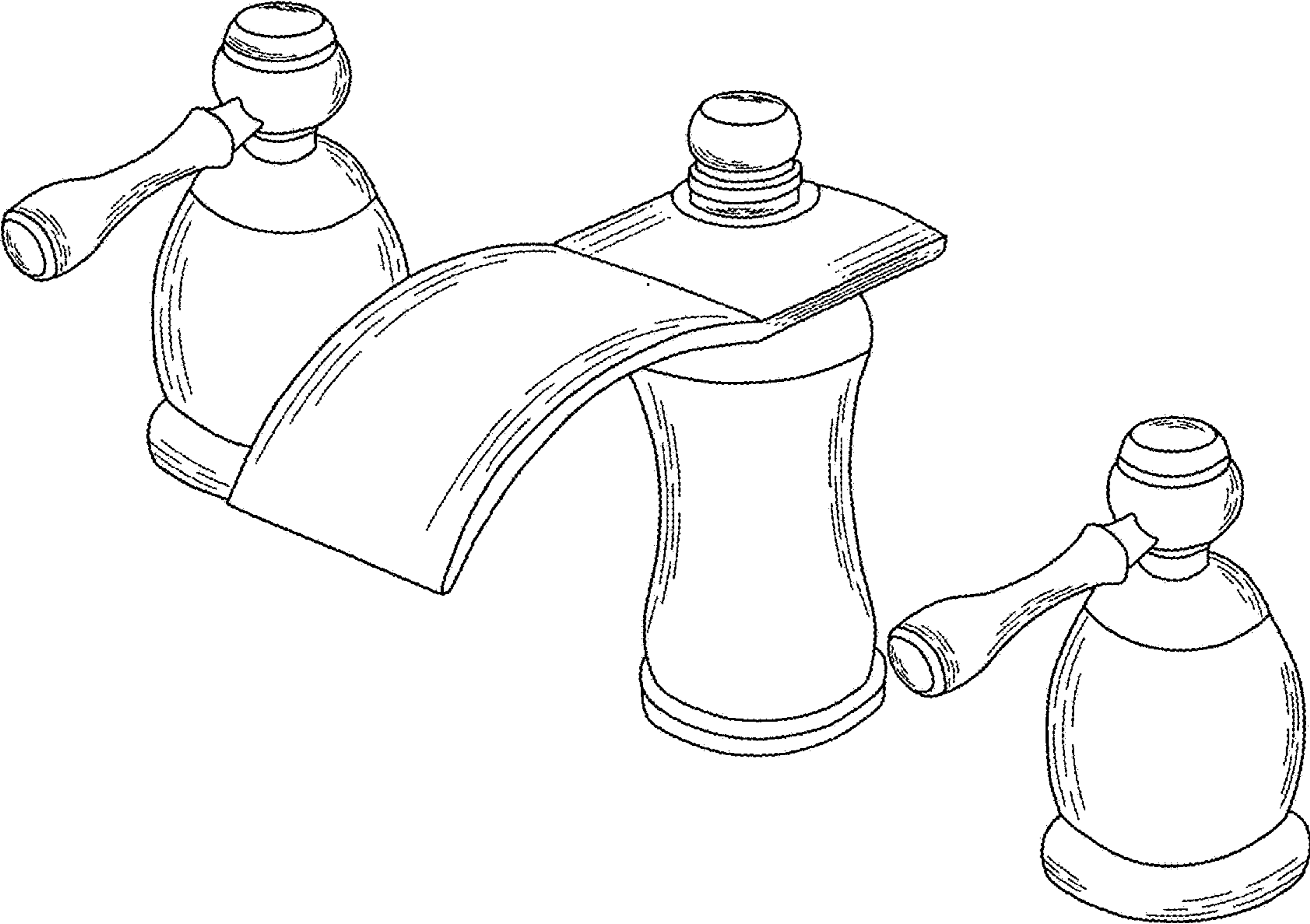


FIG. 1

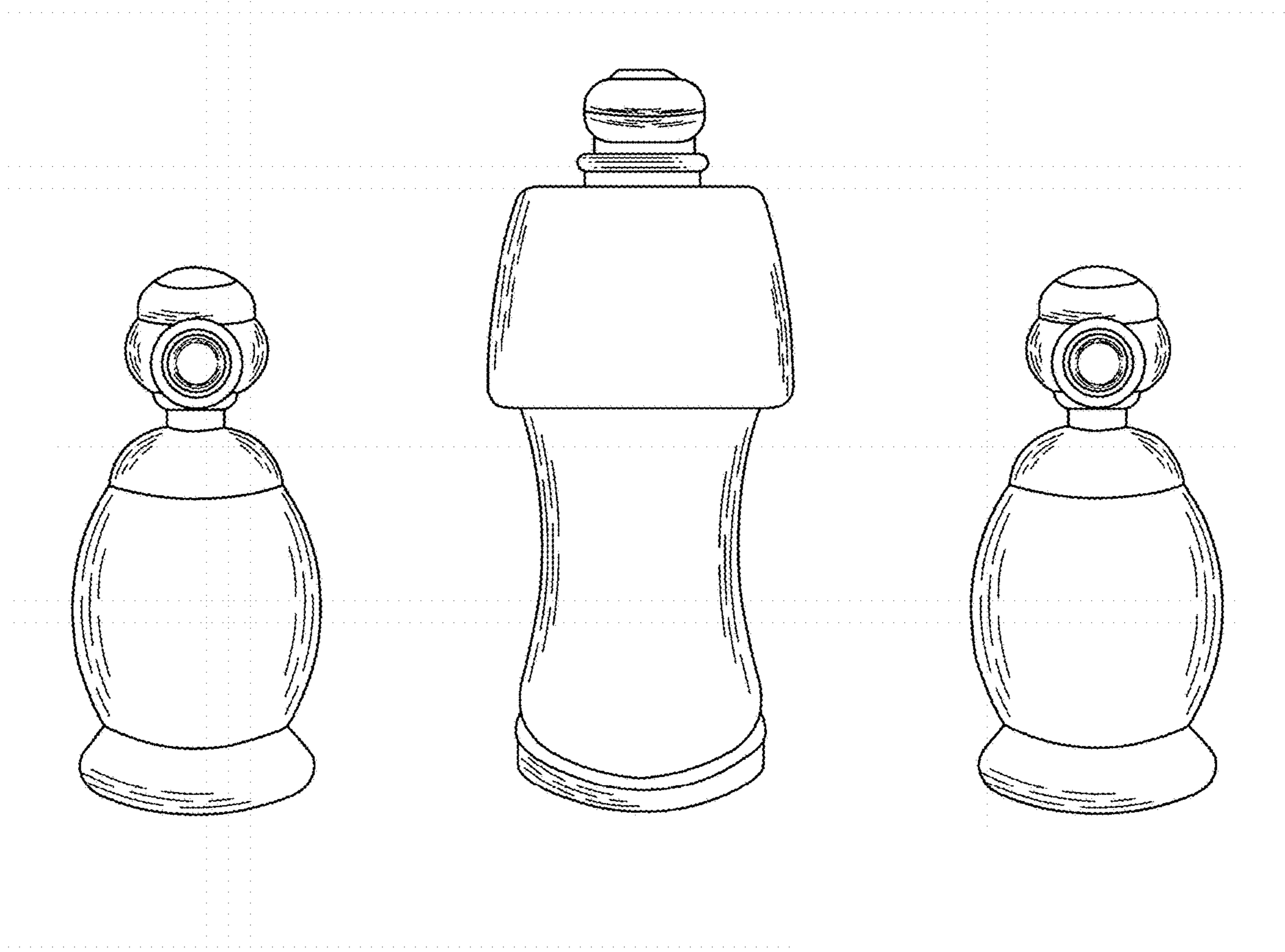


FIG. 2

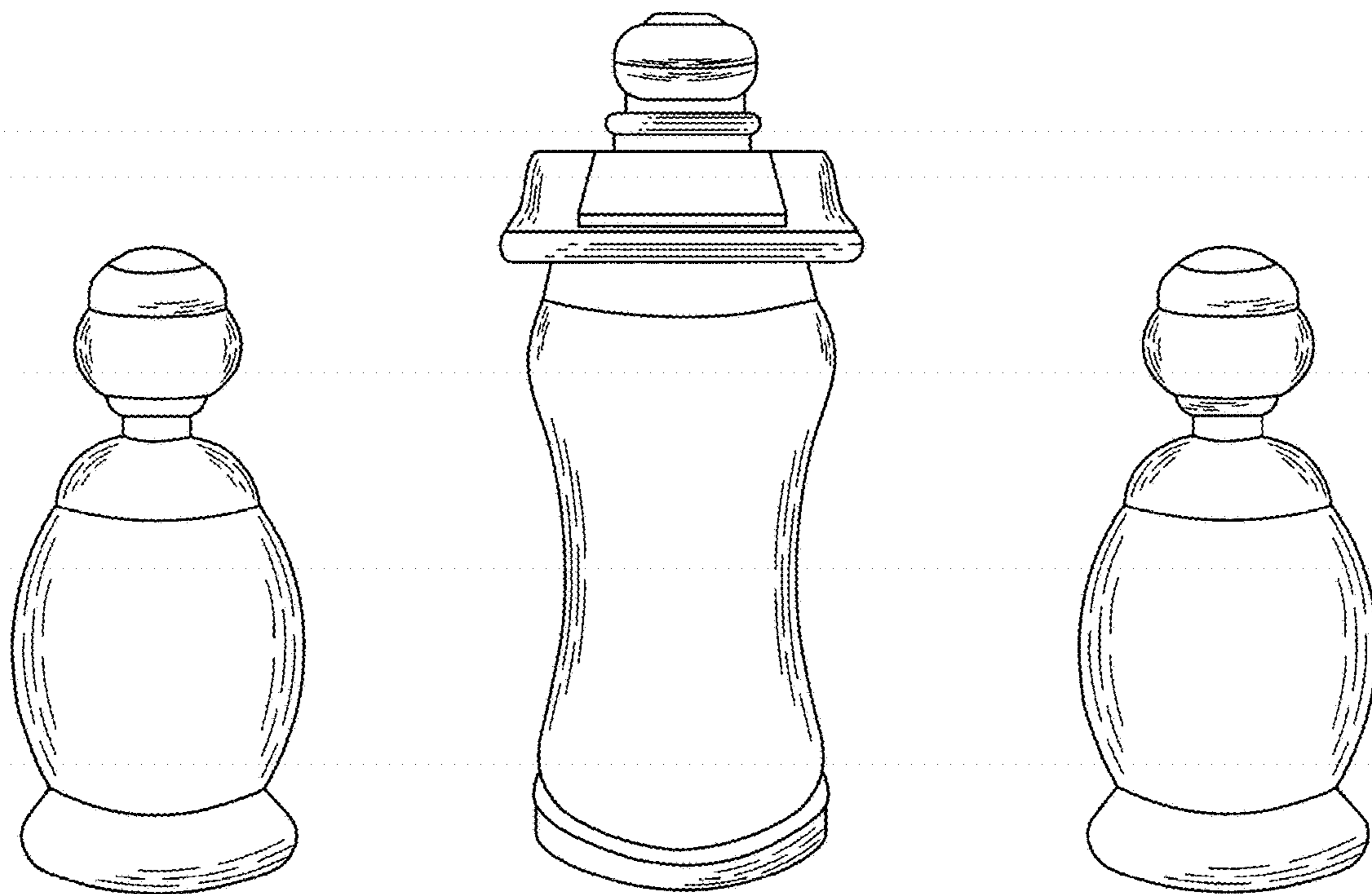


FIG. 3

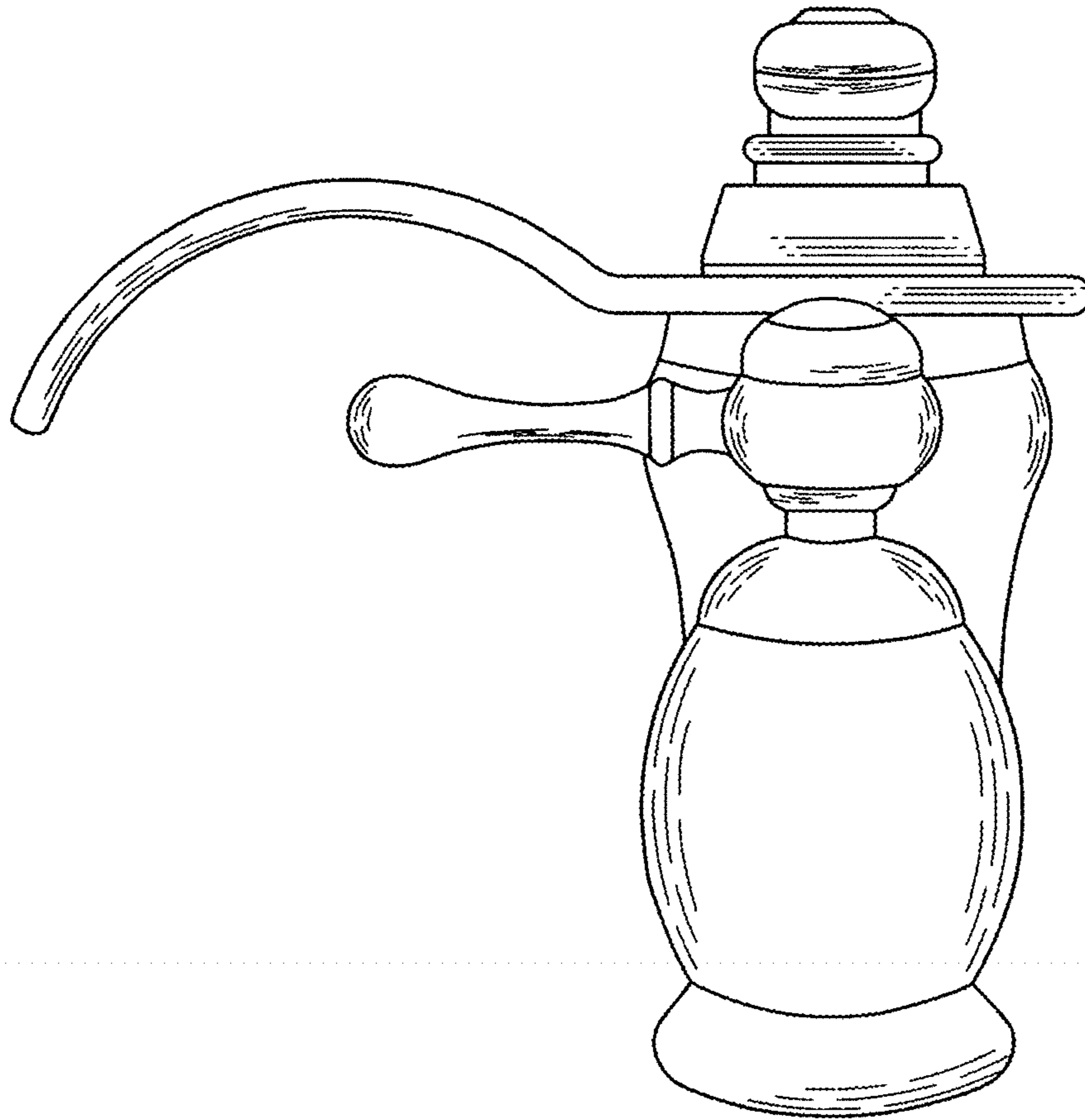


FIG. 4

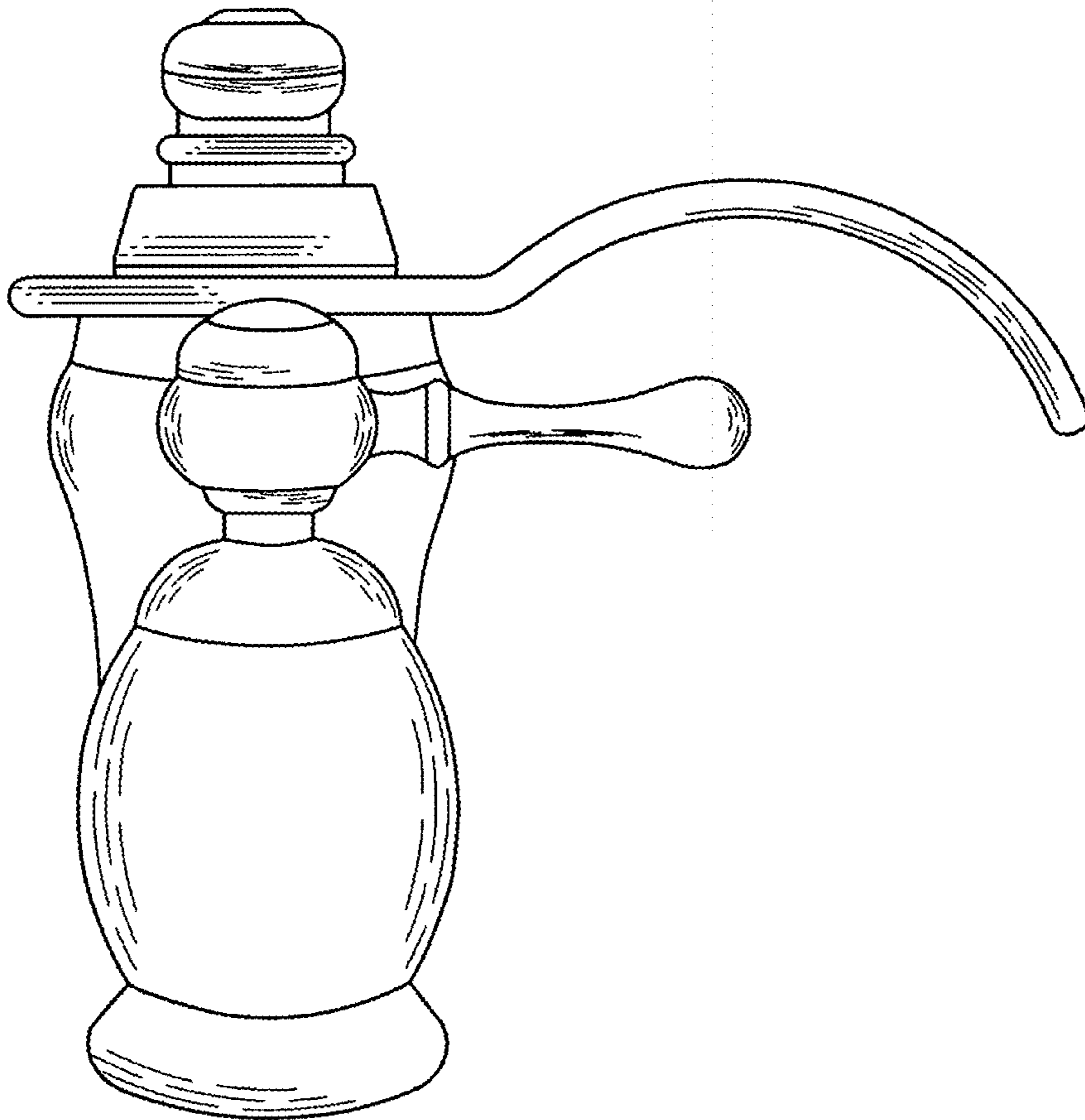


FIG. 5

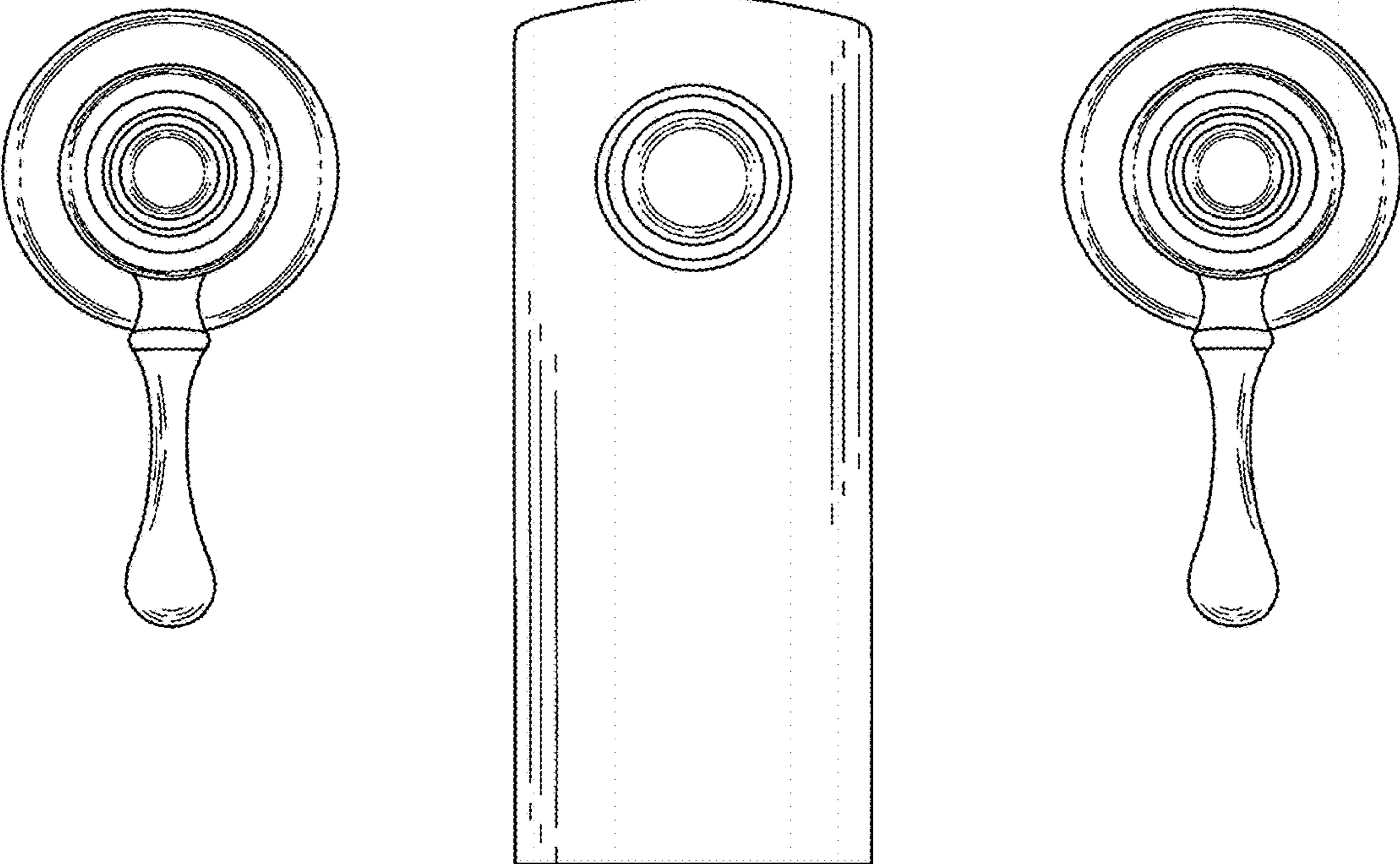


FIG. 6

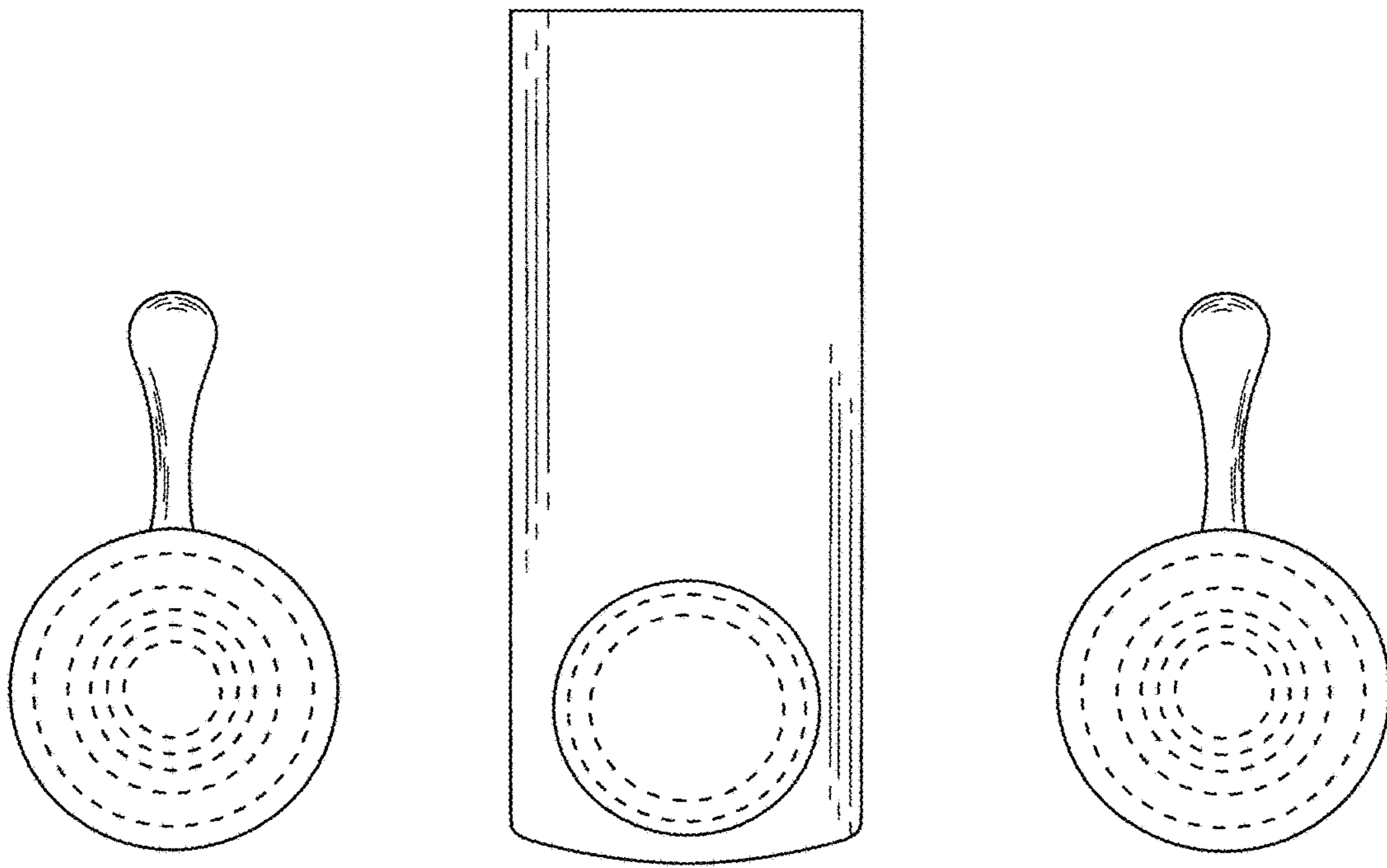


FIG. 7