



US00D851215S

(12) **United States Design Patent** (10) **Patent No.:** **US D851,215 S**
Arnold (45) **Date of Patent:** **** Jun. 11, 2019**

(54) **VALVE ACTUATOR HOUSING**

(71) Applicant: **BELIMO HOLDING AG**, Hinwil (CH)

(72) Inventor: **Werner Arnold**, Volketswil (CH)

(73) Assignee: **BELIMO Holding AG**, Hinwil (CH)

(**) Term: **15 Years**

(21) Appl. No.: **35/500,904**

(22) Filed: **Aug. 17, 2015**

(80) **Hague Agreement Data**

Int. Filing Date: **Aug. 17, 2015**
 Int. Reg. No.: **DM/090276**
 Int. Reg. Date: **Aug. 17, 2015**
 Int. Reg. Pub. Date: **May 6, 2016**

(30) **Foreign Application Priority Data**

Mar. 20, 2015 (CH) 141457

(51) **LOC (11) Cl.** **23-01**

(52) **U.S. Cl.**

USPC **D23/233**

(58) **Field of Classification Search**

USPC D23/213, 233-237, 244-249; D10/85; D24/112, 114

CPC F16K 27/048; F16K 31/041; F16K 31/046; F16K 31/06; F16K 31/12

See application file for complete search history.

(56) **References Cited**

U.S. PATENT DOCUMENTS

D295,280 S * 4/1988 Walser D23/239
 D363,761 S * 10/1995 Eggleston D23/233
 D400,967 S * 11/1998 Schreiner D23/233
 D457,858 S * 5/2002 Lee D13/110
 D465,796 S * 11/2002 Kaneko D15/143

D465,797 S * 11/2002 Landerholm D15/143
 6,509,661 B1 * 1/2003 Kujira H02K 5/225 310/71
 D480,450 S * 10/2003 Saadi D23/249
 D511,369 S * 11/2005 Croft D23/233
 D521,598 S * 5/2006 Bates D23/233
 D521,599 S * 5/2006 Bates D23/233
 D533,137 S * 12/2006 Henriksson D13/147
 D542,816 S * 5/2007 Yajima D15/143
 D549,663 S * 8/2007 Tsou et al.
 D587,211 S * 2/2009 Greenslade D13/123
 D587,661 S * 3/2009 Blakesley D13/158
 D593,962 S * 6/2009 Ross D13/123
 D614,149 S * 4/2010 Crites et al.
 D635,219 S * 3/2011 Funari D23/233
 D660,806 S * 5/2012 Wong D13/162
 D686,298 S * 7/2013 Ching D23/233
 D691,948 S * 10/2013 Dasbach
 D696,209 S * 12/2013 Allen et al.

(Continued)

Primary Examiner — Darlington Ly
 (74) *Attorney, Agent, or Firm* — Knobbe, Martens, Olson & Bear, LLP

(57) **CLAIM**

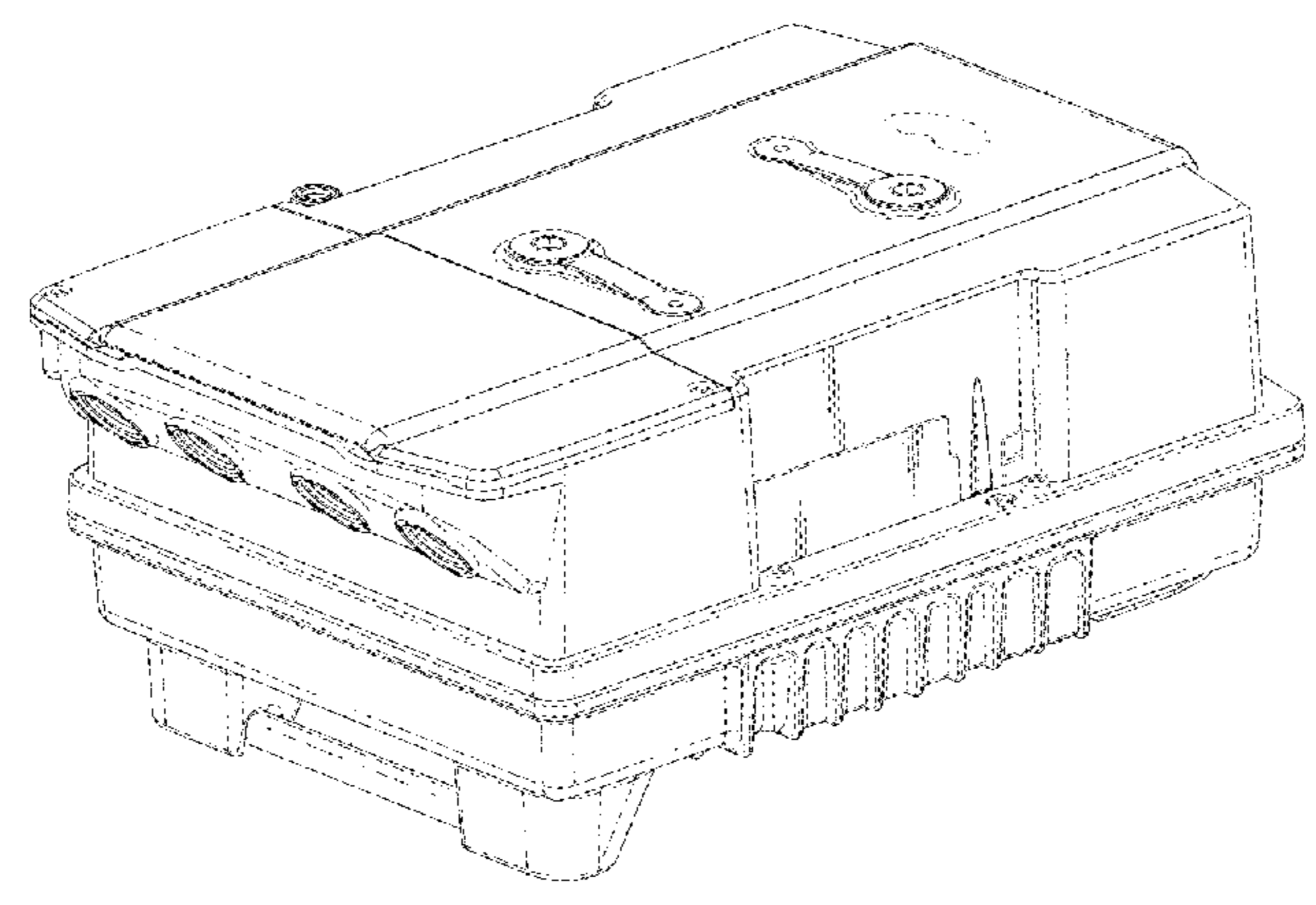
The ornamental design for a valve actuator housing, as shown and described.

DESCRIPTION

Figure 2.1 is a left side elevation view of a valve actuator housing showing my new design;
 Figure 2.2 is a front elevation view thereof;
 Figure 2.3 is a right side elevation view thereof;
 Figure 2.4 is a rear elevation view thereof;
 Figure 2.5 is a top plan view thereof;
 Figure 2.6 is a top, front, and right side perspective view thereof; and
 Figure 2.7 is a top, front, and left side perspective view thereof.

The broken lines in the drawing illustrate portions of the valve actuator housing that form no part of the claimed design.

1 Claim, 7 Drawing Sheets



(56)

References Cited

U.S. PATENT DOCUMENTS

D702,644	S *	4/2014	Tseng	D13/147
D728,071	S *	4/2015	Beland	D23/233
D742,330	S	11/2015	Aeberli et al.	
D754,291	S *	4/2016	Mangold	D23/233
D754,292	S *	4/2016	Mangold	D23/233
D754,293	S *	4/2016	Mangold	D23/233
D754,819	S *	4/2016	Bonomi	D23/233
2005/0199304	A1	9/2005	Poppe et al.	
2008/0051024	A1	2/2008	Caliendo et al.	
2008/0173838	A1	7/2008	Schmidig et al.	
2009/0114862	A1	5/2009	Lehnert et al.	
2010/0056039	A1	3/2010	Weber et al.	
2014/0009087	A1	1/2014	Guyer et al.	
2014/0264110	A1 *	9/2014	Wilson	E03D 5/10 251/129.01

* cited by examiner

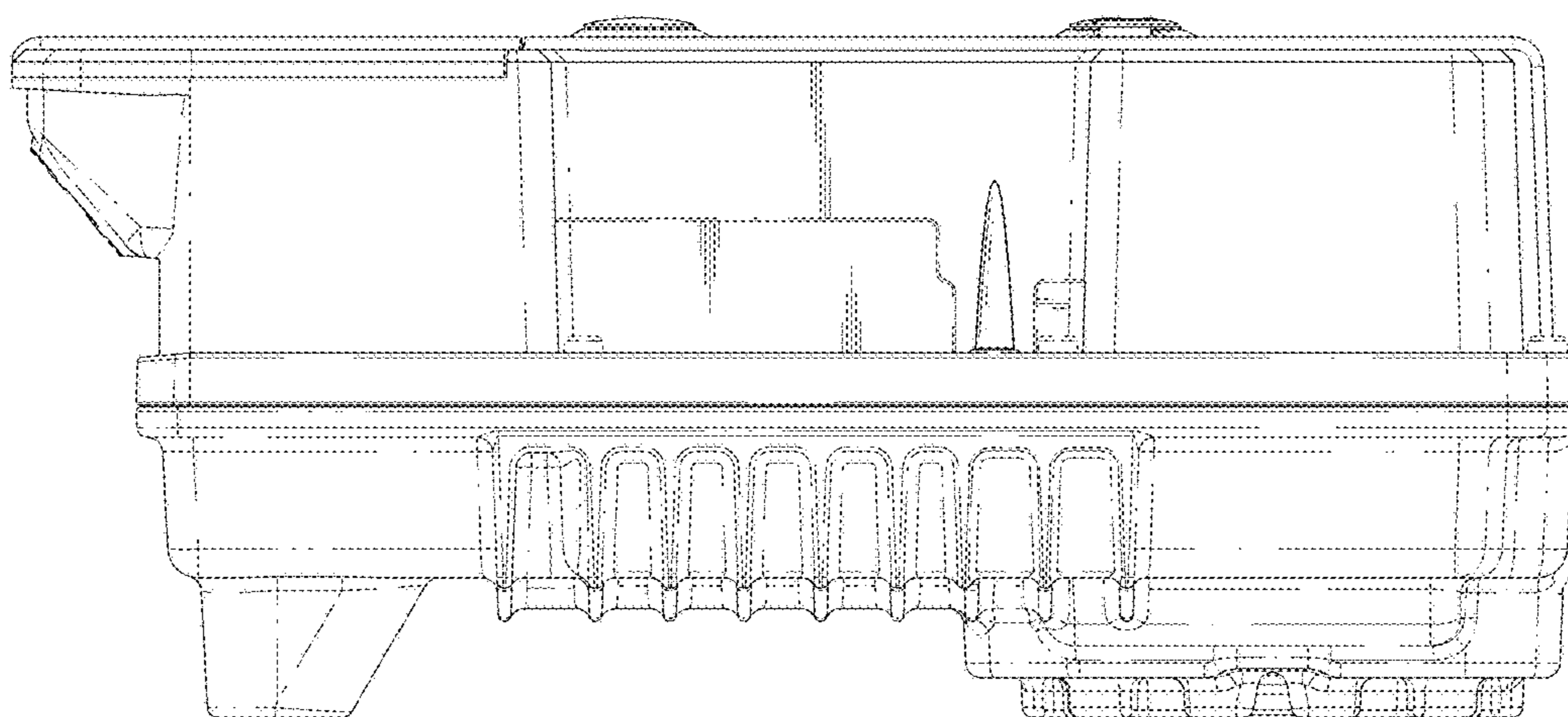


FIG. 2.1

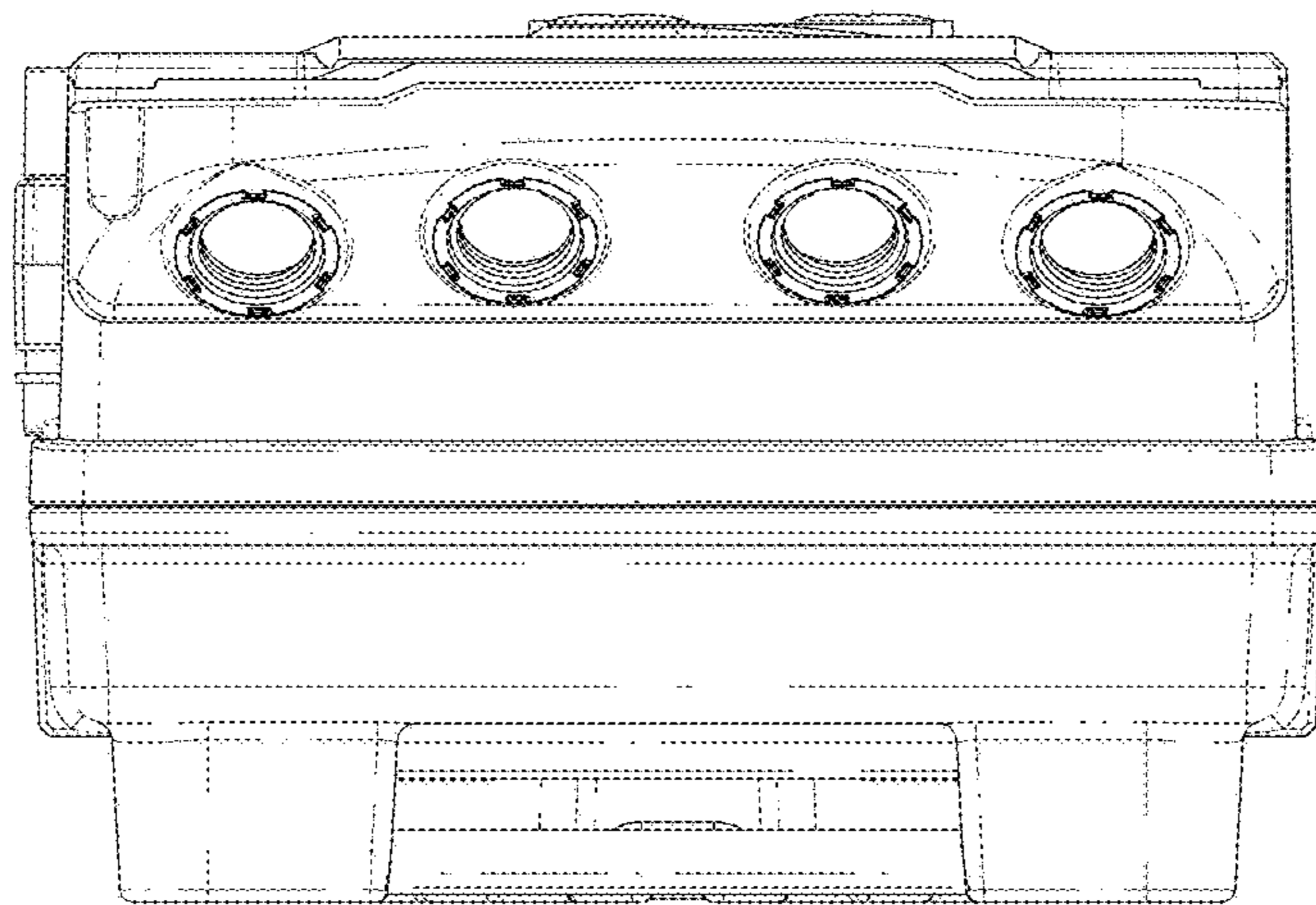


FIG. 2.2

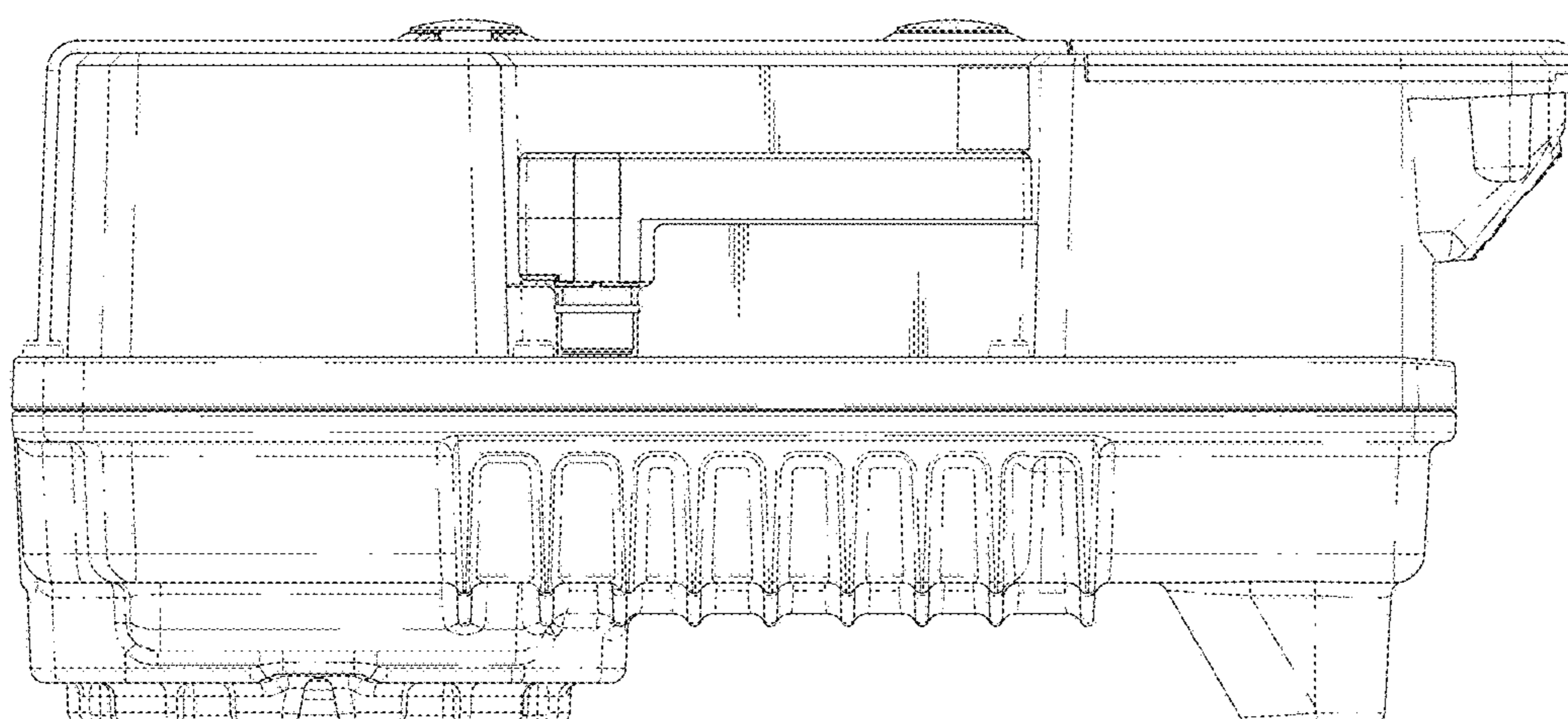


FIG. 2.3

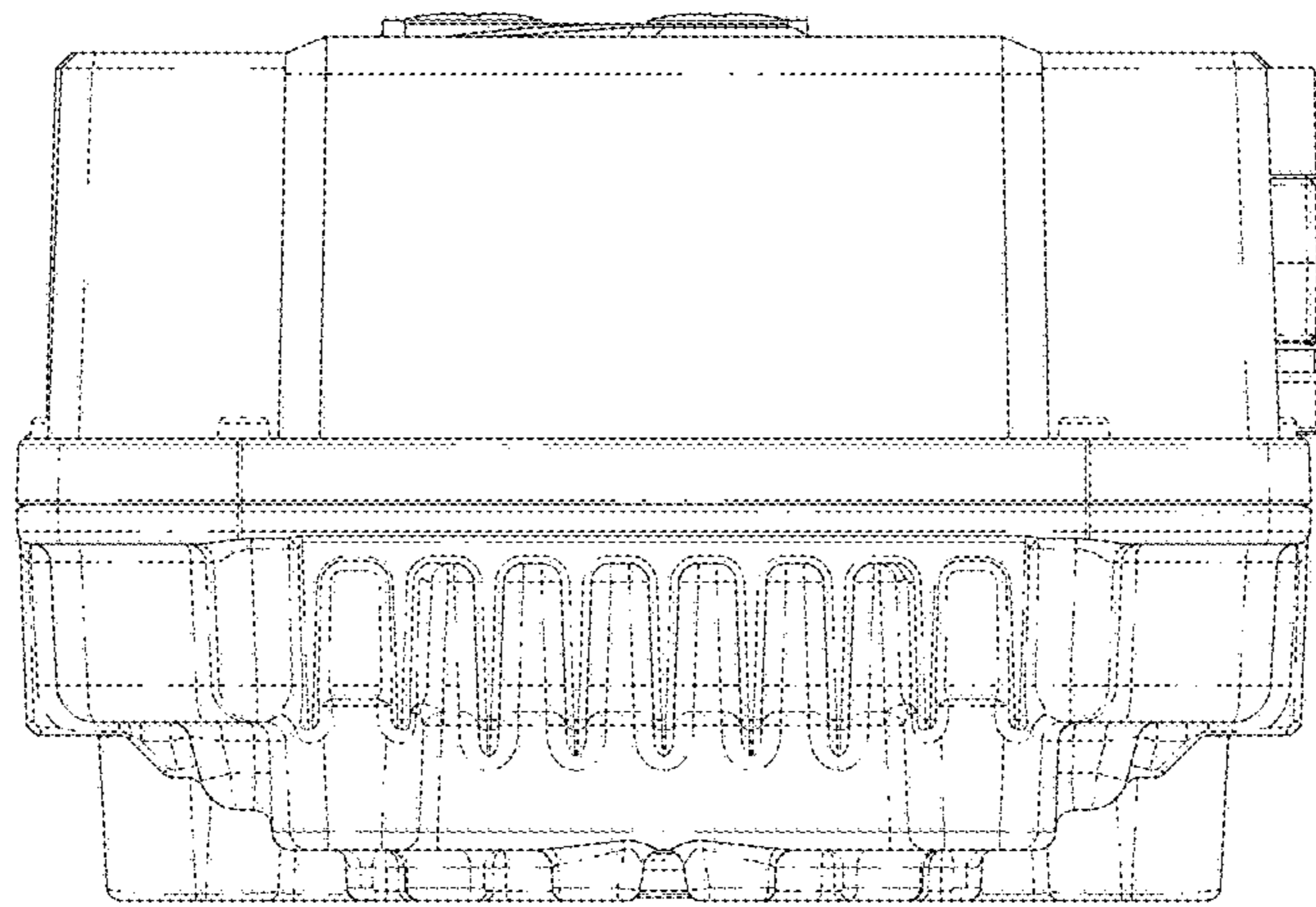


FIG. 2.4

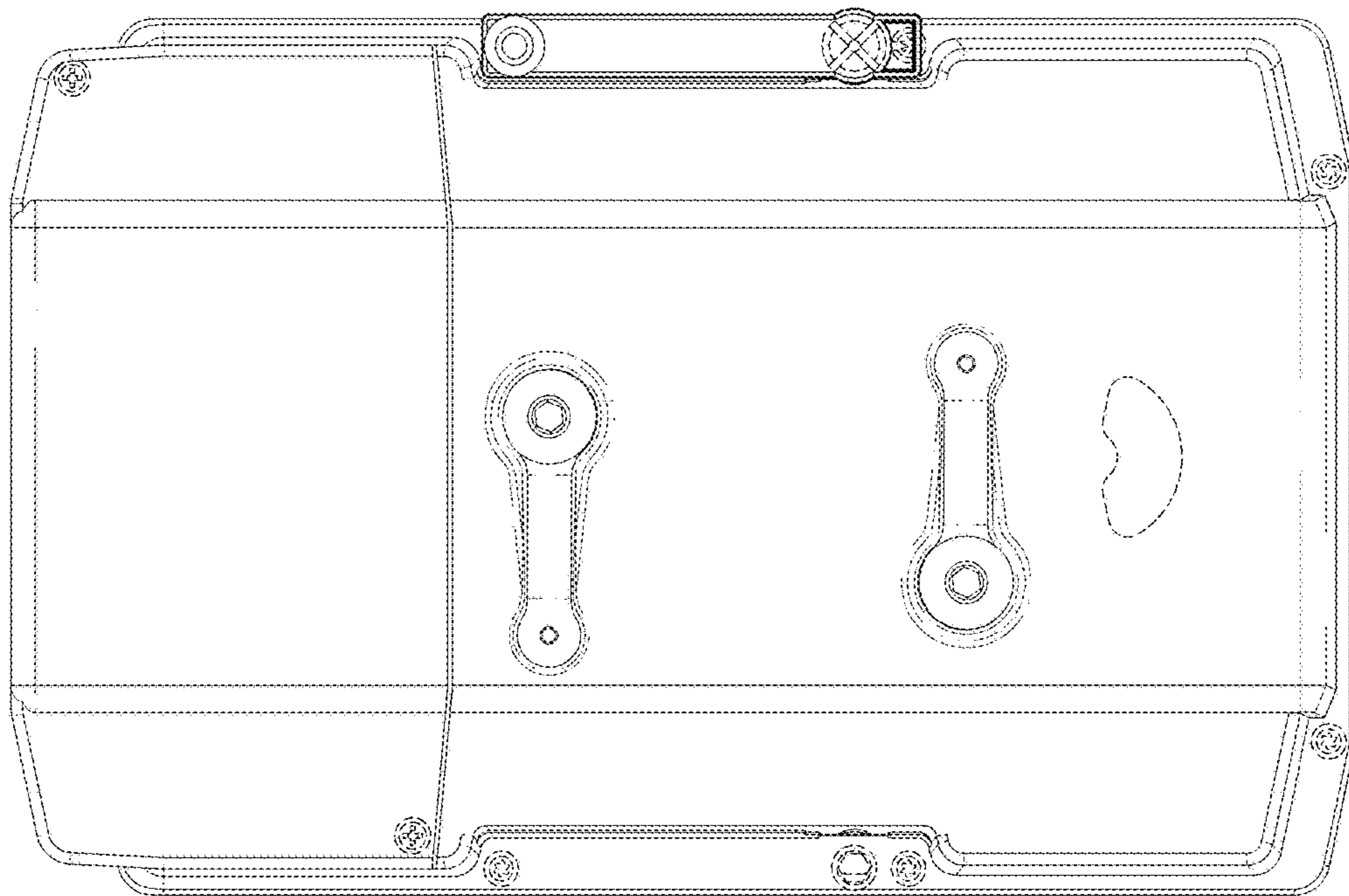


FIG. 2.5

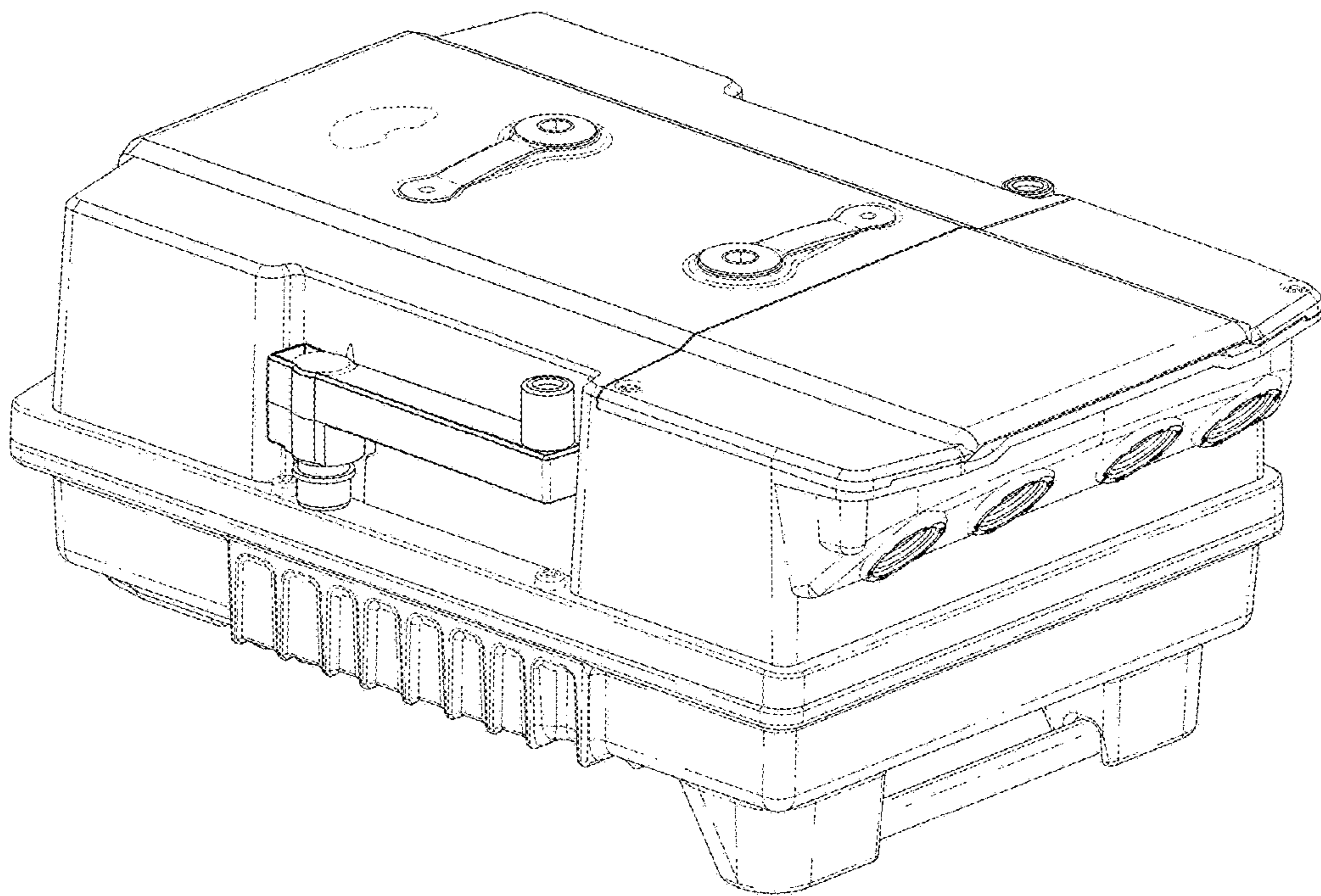


FIG. 2.6

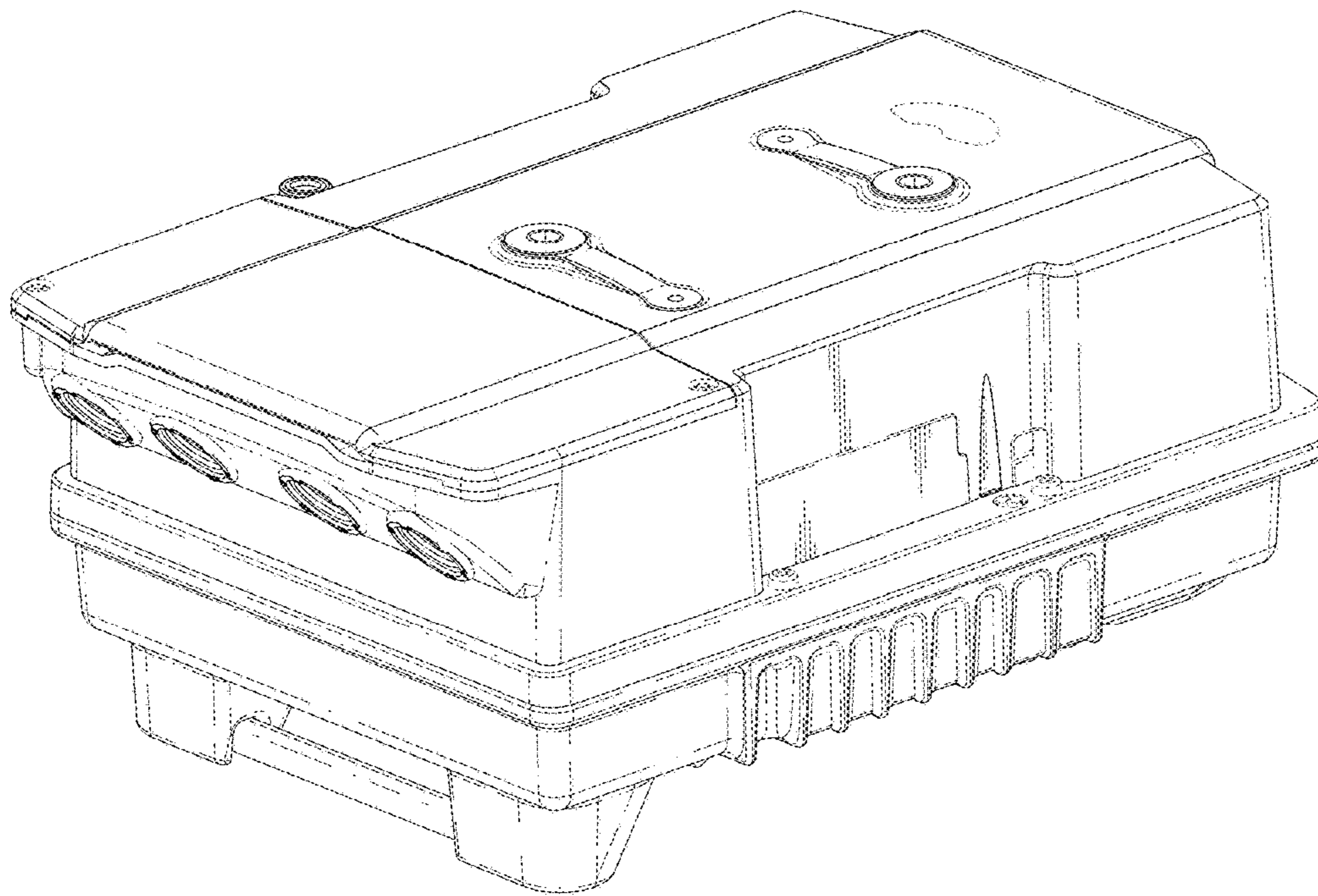


FIG. 2.7