



US00D851214S

(12) **United States Design Patent**
Karibe

(10) **Patent No.:** **US D851,214 S**
(45) **Date of Patent:** **** Jun. 11, 2019**

- (54) **SOLENOID VALVE**
- (71) Applicant: **SMC CORPORATION**, Tokyo (JP)
- (72) Inventor: **Takeshi Karibe**, Joso (JP)
- (73) Assignee: **SMC CORPORATION**, Tokyo (JP)
- (**) Term: **15 Years**
- (21) Appl. No.: **29/644,089**
- (22) Filed: **Apr. 13, 2018**

- D686,696 S * 7/2013 Lai D23/233
- D695,380 S * 12/2013 Tamura D23/233
- D724,697 S * 3/2015 Johnson D23/233
- D738,463 S 9/2015 Yoshida et al.
- D738,464 S 9/2015 Yoshida et al.
- D738,465 S 9/2015 Yoshida et al.
- D738,466 S 9/2015 Yoshida et al.
- D753,268 S * 4/2016 Nishimura D23/233
- D754,292 S * 4/2016 Mangold D23/233
- D760,352 S * 6/2016 Mangold D23/233
- D825,717 S * 8/2018 Karibe D23/233
- D825,718 S * 8/2018 Karibe D23/233
- D826,377 S * 8/2018 Karibe D23/233
- D835,755 S * 12/2018 Sato D23/233

(Continued)

Related U.S. Application Data

- (62) Division of application No. 29/599,887, filed on Apr. 7, 2017, now Pat. No. Des. 825,717.

Foreign Application Priority Data

- Oct. 10, 2016 (EM) 003413343
- (51) **LOC (11) Cl.** **23-01**
- (52) **U.S. Cl.**
USPC **D23/233**
- (58) **Field of Classification Search**
USPC D10/49; D23/233-237, 244-249
CPC .. F02M 51/0685; F02M 61/168; F16K 31/02;
F16K 31/048; F16K 31/0631; F16K
31/0675; F16K 31/082; F16K 27/029;
F16K 11/24
See application file for complete search history.

References Cited

U.S. PATENT DOCUMENTS

- 6,425,416 B1 * 7/2002 Narita F15B 13/0825
137/625.27
- D609,307 S * 2/2010 Moriyama D23/233
- D615,618 S 5/2010 Someya
- D639,392 S * 6/2011 Yamada D23/233
- D667,930 S * 9/2012 Yamada D23/233

FOREIGN PATENT DOCUMENTS

- JP 544411 S 11/1980
- JP 544411-2 S 12/1980

(Continued)

Primary Examiner — Selina Sikder

(74) *Attorney, Agent, or Firm* — Birch, Stewart, Kolasch & Birch, LLP

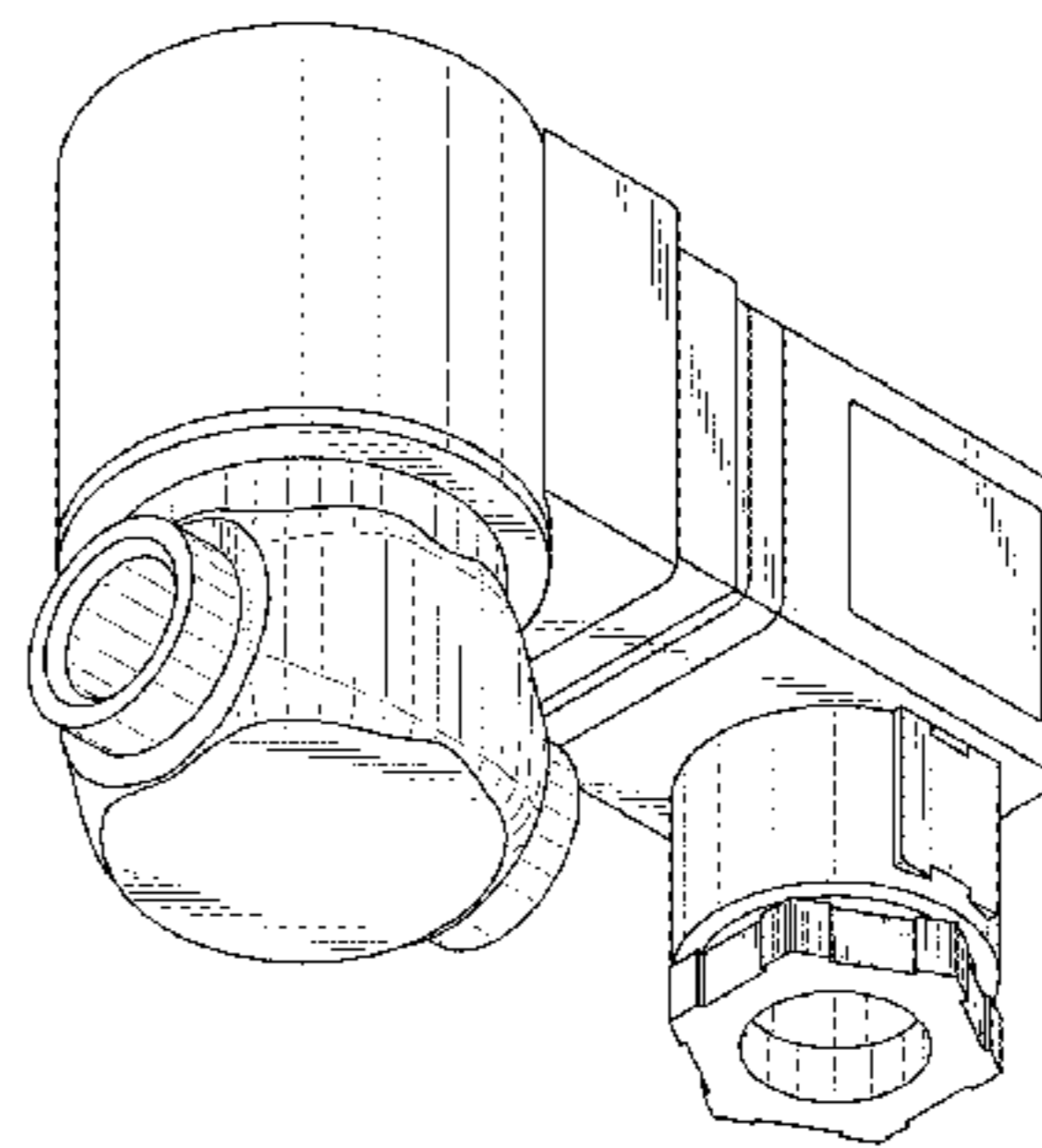
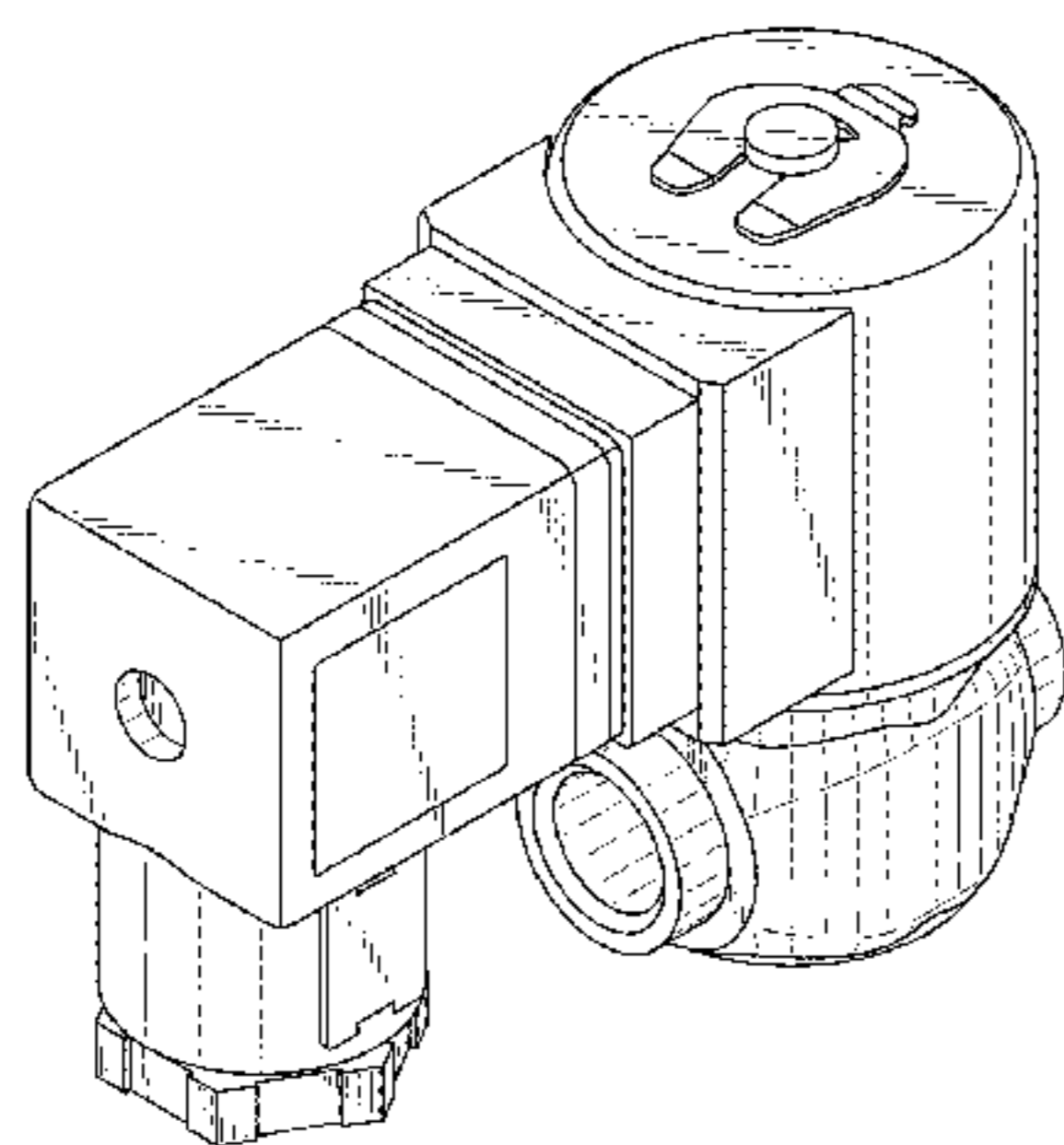
(57) **CLAIM**

The ornamental design for a solenoid valve, as shown.

DESCRIPTION

FIG. 1 is a front, top and left side perspective view of a solenoid valve showing my new design;
 FIG. 2 is a rear, bottom and right side perspective view thereof;
 FIG. 3 is a front view thereof;
 FIG. 4 is a rear view thereof;
 FIG. 5 is a top plan view thereof;
 FIG. 6 is a bottom plan view thereof;
 FIG. 7 is a left side view thereof; and,
 FIG. 8 is a right side view thereof.

1 Claim, 8 Drawing Sheets



(56)

References Cited

U.S. PATENT DOCUMENTS

2004/0227119 A1* 11/2004 Mills F16K 31/0631
251/129.14
2006/0284131 A1* 12/2006 Cripps F16K 31/06
251/129.15
2015/0108382 A1* 4/2015 Svensson F16K 31/02
251/129.19
2017/0356395 A1* 12/2017 Lee F02M 25/0836

FOREIGN PATENT DOCUMENTS

JP 544411-3 S 12/1980
JP 635375-1 S 10/1984
JP 635375 S 10/1984

* cited by examiner

FIG. 1

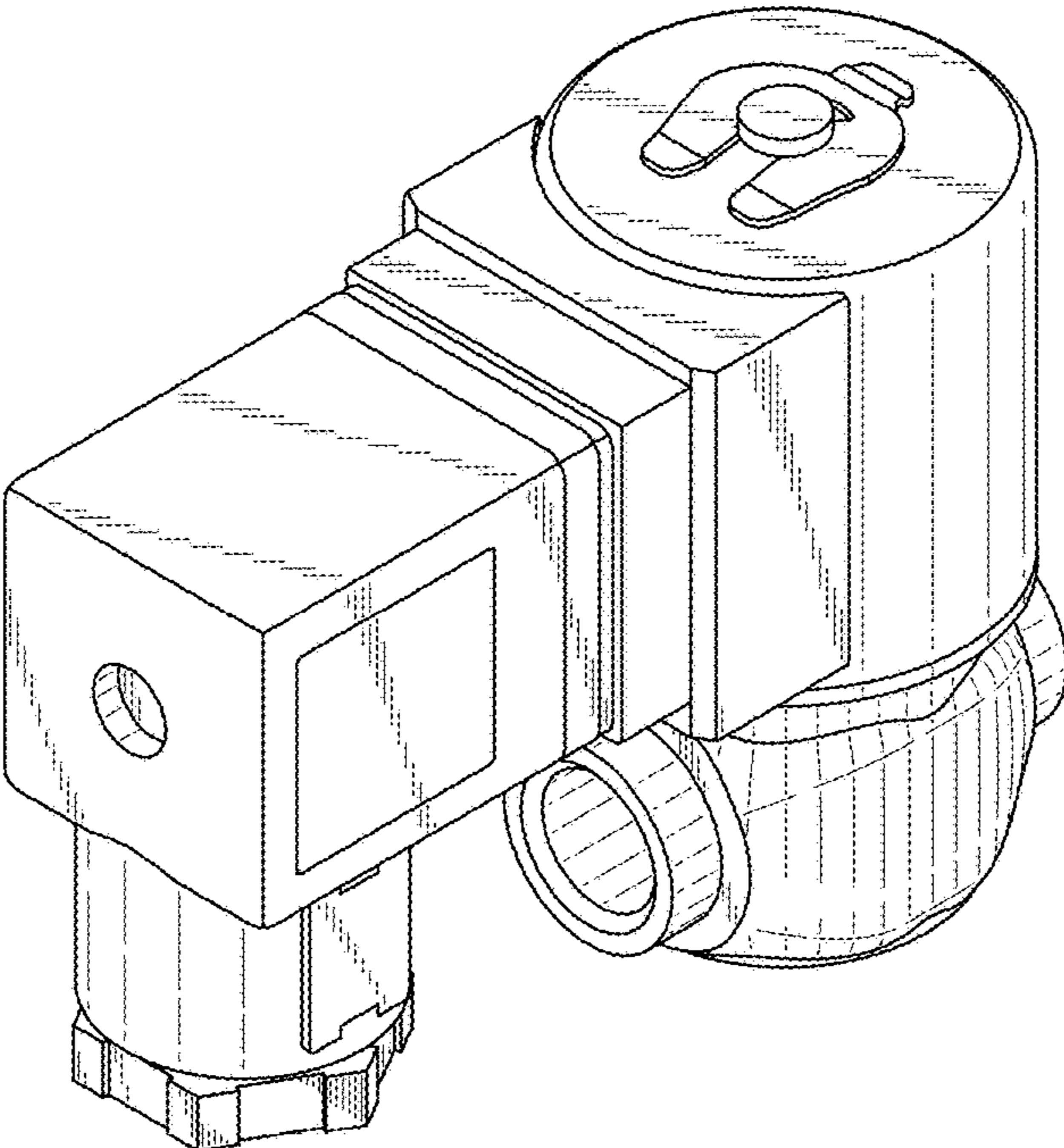


FIG. 2

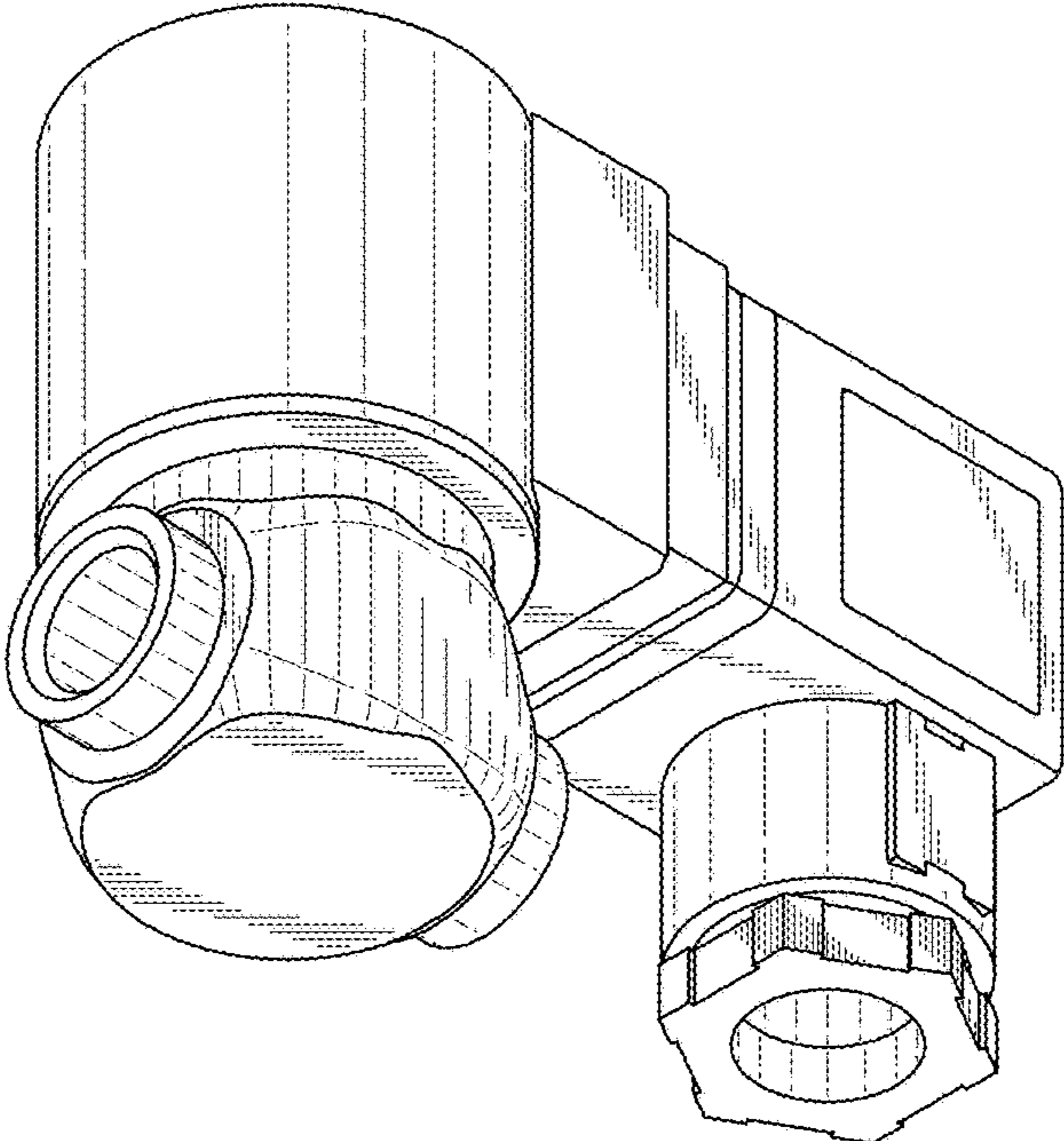


FIG. 3

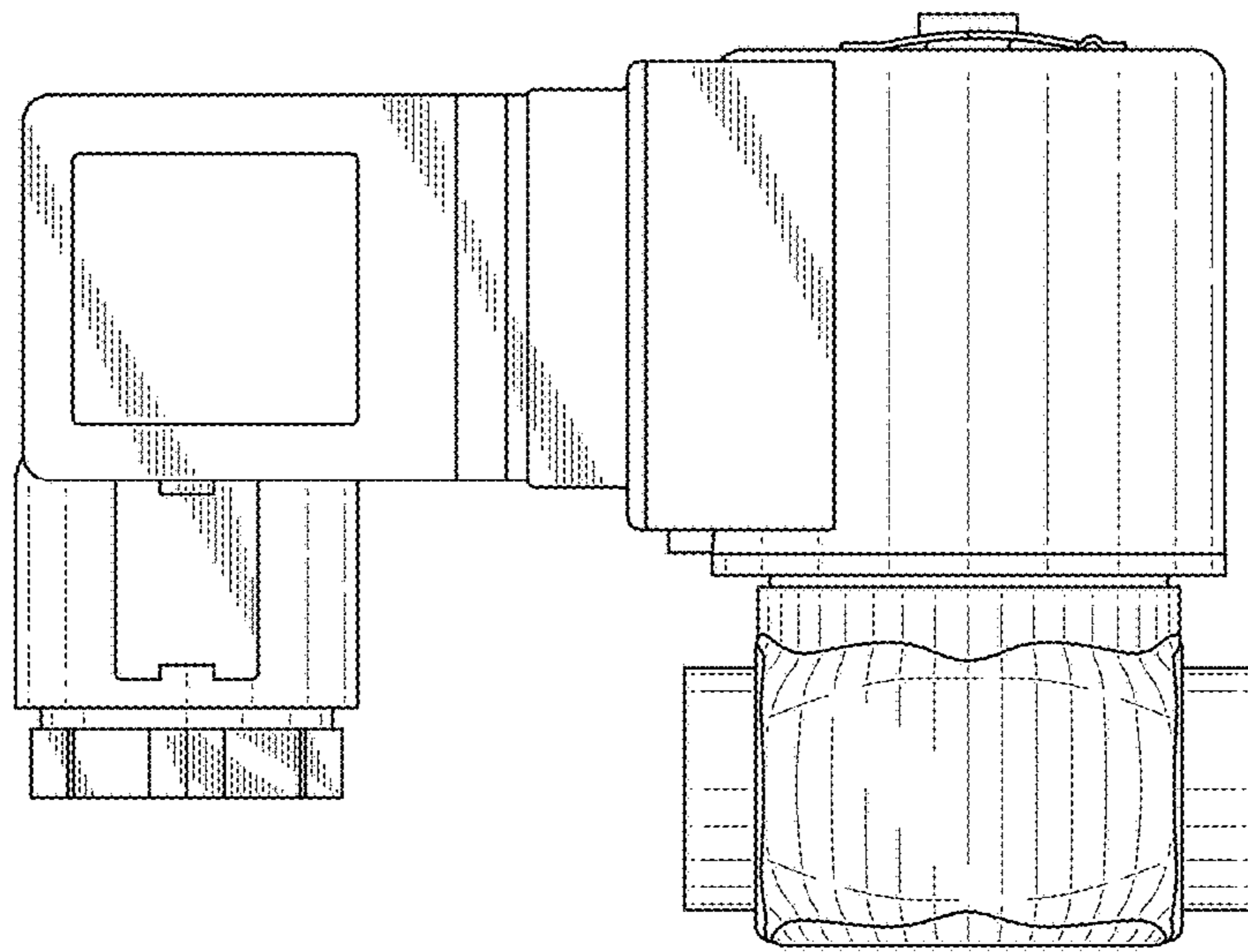


FIG. 4

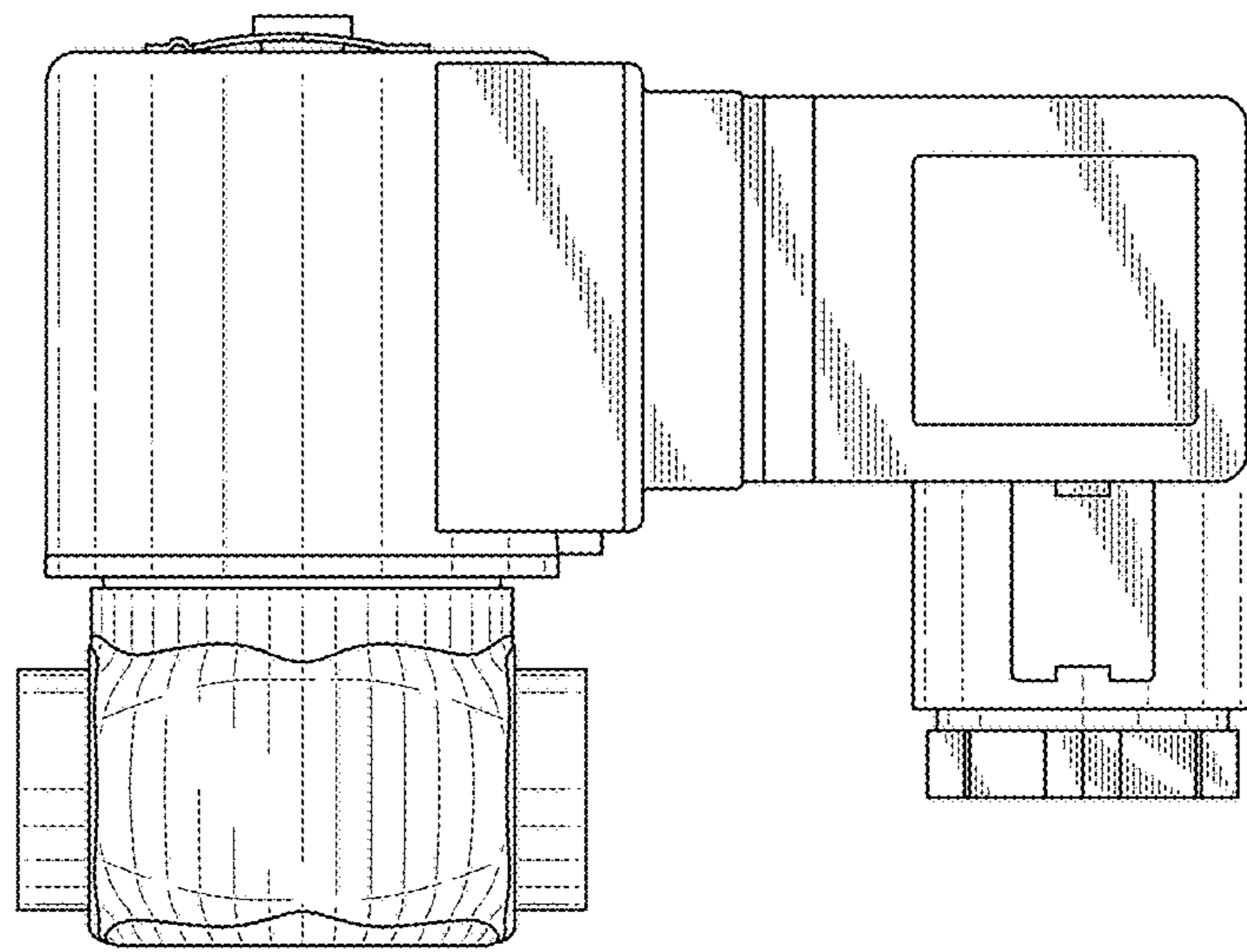


FIG. 5

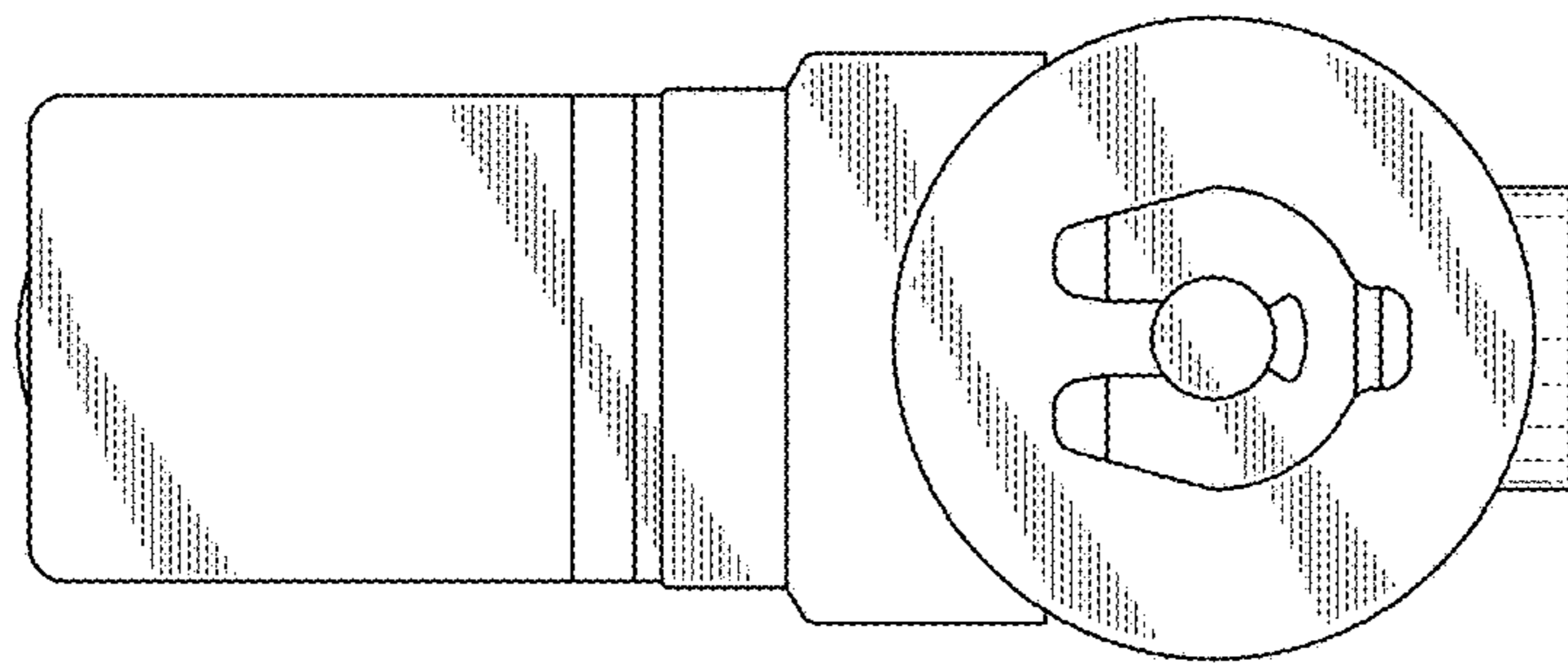


FIG. 6

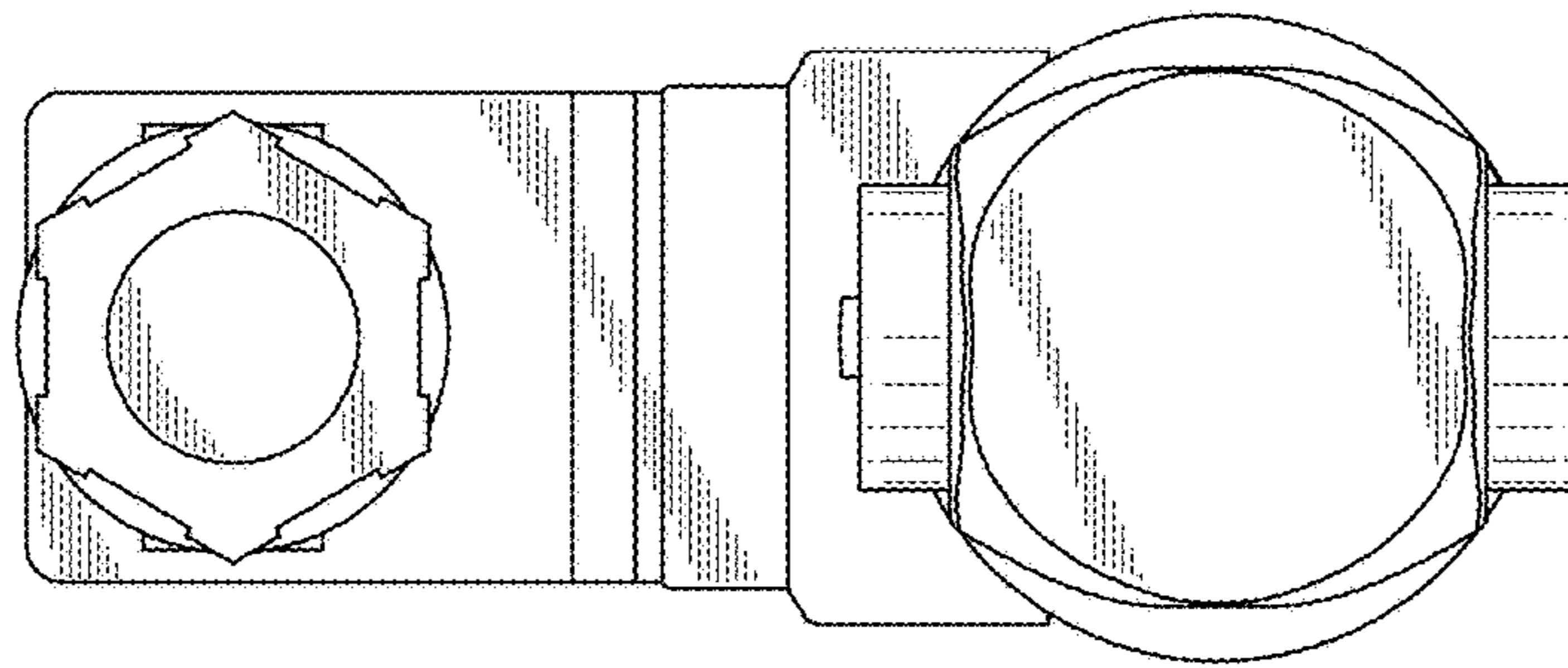


FIG. 7

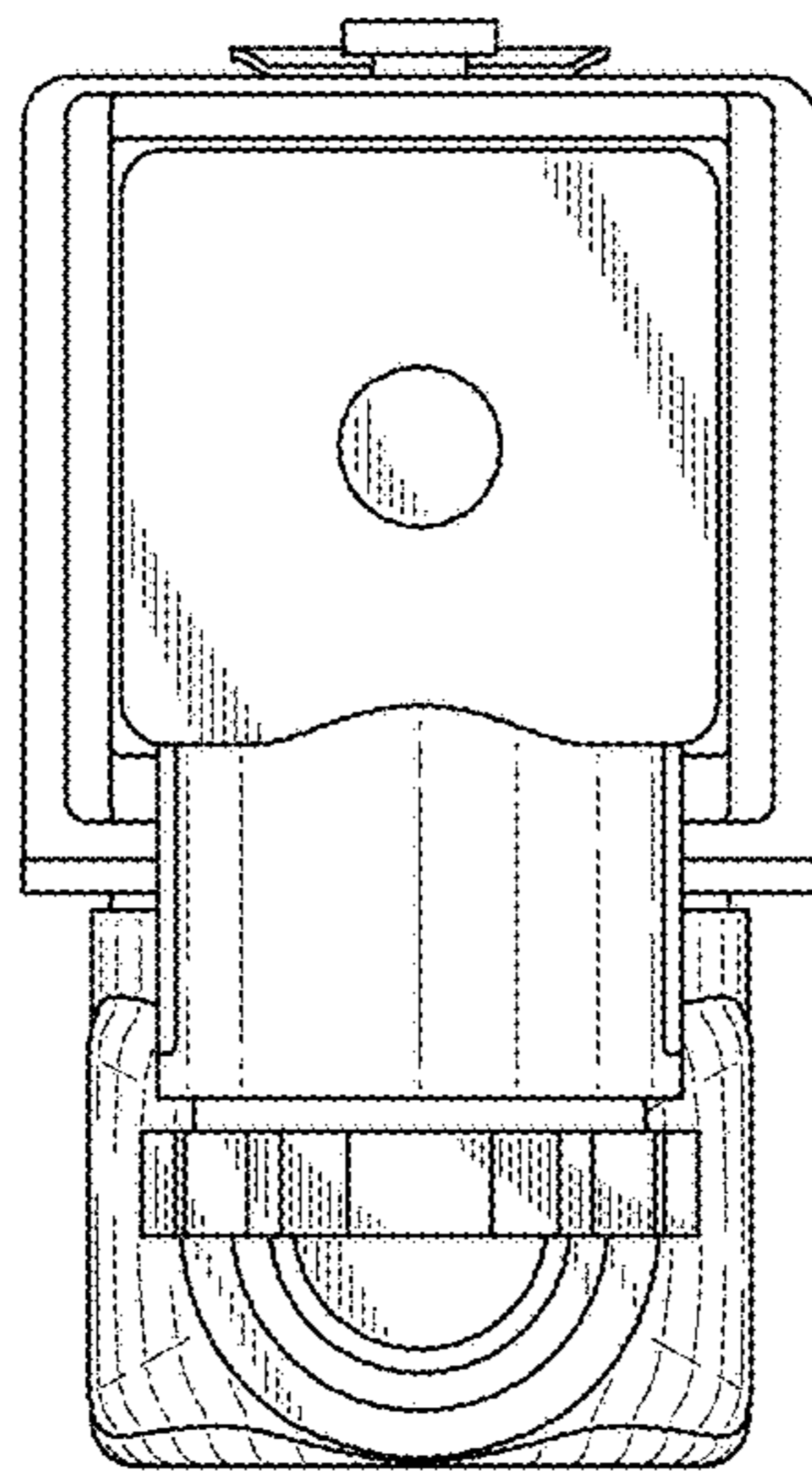


FIG. 8

