



US00D851212S

(12) **United States Design Patent**
Crenshaw

(10) **Patent No.:** **US D851,212 S**
(45) **Date of Patent:** **** Jun. 11, 2019**

- (54) **DUAL NOZZLE SPRAYER**
- (71) Applicant: **Kenneth D. Crenshaw**, Bartlett, TN
(US)
- (72) Inventor: **Kenneth D. Crenshaw**, Bartlett, TN
(US)
- (**) Term: **15 Years**
- (21) Appl. No.: **29/624,945**
- (22) Filed: **Nov. 6, 2017**
- (51) **LOC (11) Cl.** **23-01**
- (52) **U.S. Cl.**
USPC **D23/226**
- (58) **Field of Classification Search**
USPC D23/213, 223, 226
CPC A01M 7/0046; B05B 9/01; B05B 1/30;
B05B 7/08; B05B 5/1691; B05B 5/043;
B05B 5/025; B05B 1/005; B05B 7/083
See application file for complete search history.

9,814,227 B2 * 11/2017 Crenshaw A01M 7/0046
 9,821,332 B2 * 11/2017 Adams B05B 1/306
 D812,717 S * 3/2018 Crenshaw B05B 7/1209
 D23/226

* cited by examiner

Primary Examiner — Robin V Webster
 (74) *Attorney, Agent, or Firm* — Patterson Intellectual
 Property Law, P.C.; Edward D. Lanquist, Jr.; Alex H.
 Huffstutter

(57) **CLAIM**

The ornamental design for a dual nozzle sprayer, as shown and described.

DESCRIPTION

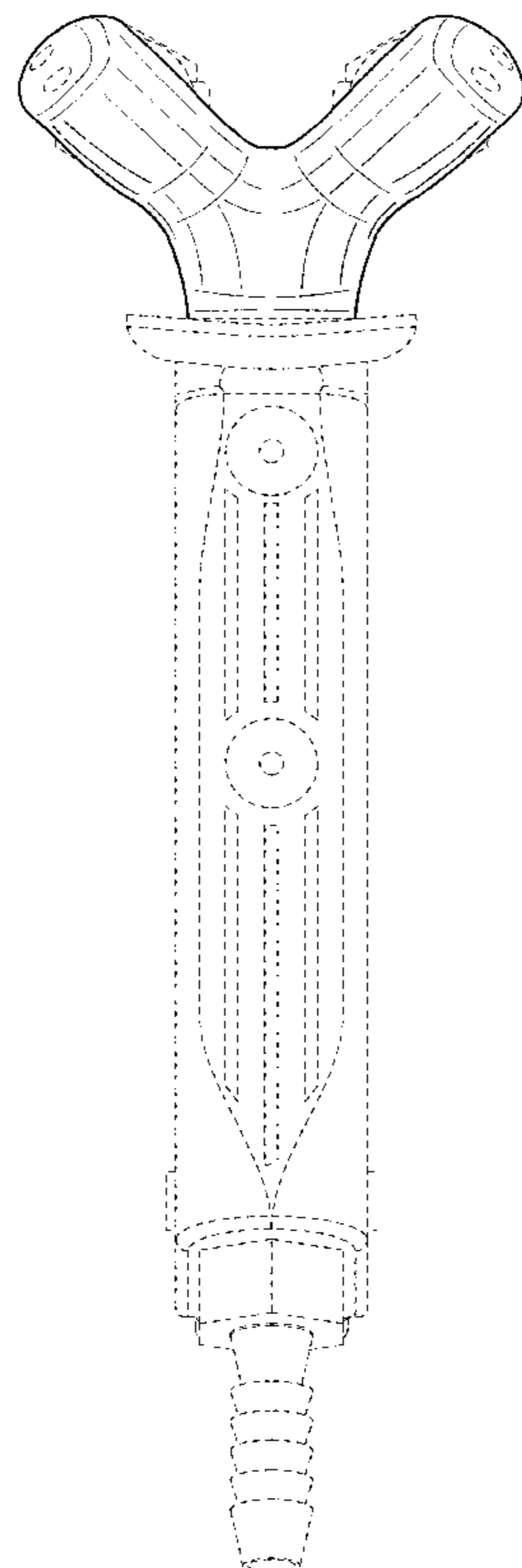
FIG. 1 is a left side elevation view of the dual nozzle sprayer of Applicant's new design, the right side elevation view being an identical mirror image thereto.
 FIG. 2 is a back elevation view of the dual nozzle sprayer of FIG. 1.
 FIG. 3 is a front elevation view of the dual nozzle sprayer of FIG. 1.
 FIG. 4 is a top plan view of the dual nozzle sprayer of FIG. 1; and,
 FIG. 5 is a bottom plan view of the dual nozzle sprayer of FIG. 1.
 The broken lines in the drawings illustrate portions of the dual nozzle sprayer which form no part of the claimed design.

(56) **References Cited**

U.S. PATENT DOCUMENTS

- 5,667,143 A * 9/1997 Sebion B05B 7/1209
239/415
- 7,568,636 B2 * 8/2009 Saunders B05B 1/1636
239/303
- D800,868 S * 10/2017 Crenshaw D23/226

1 Claim, 3 Drawing Sheets



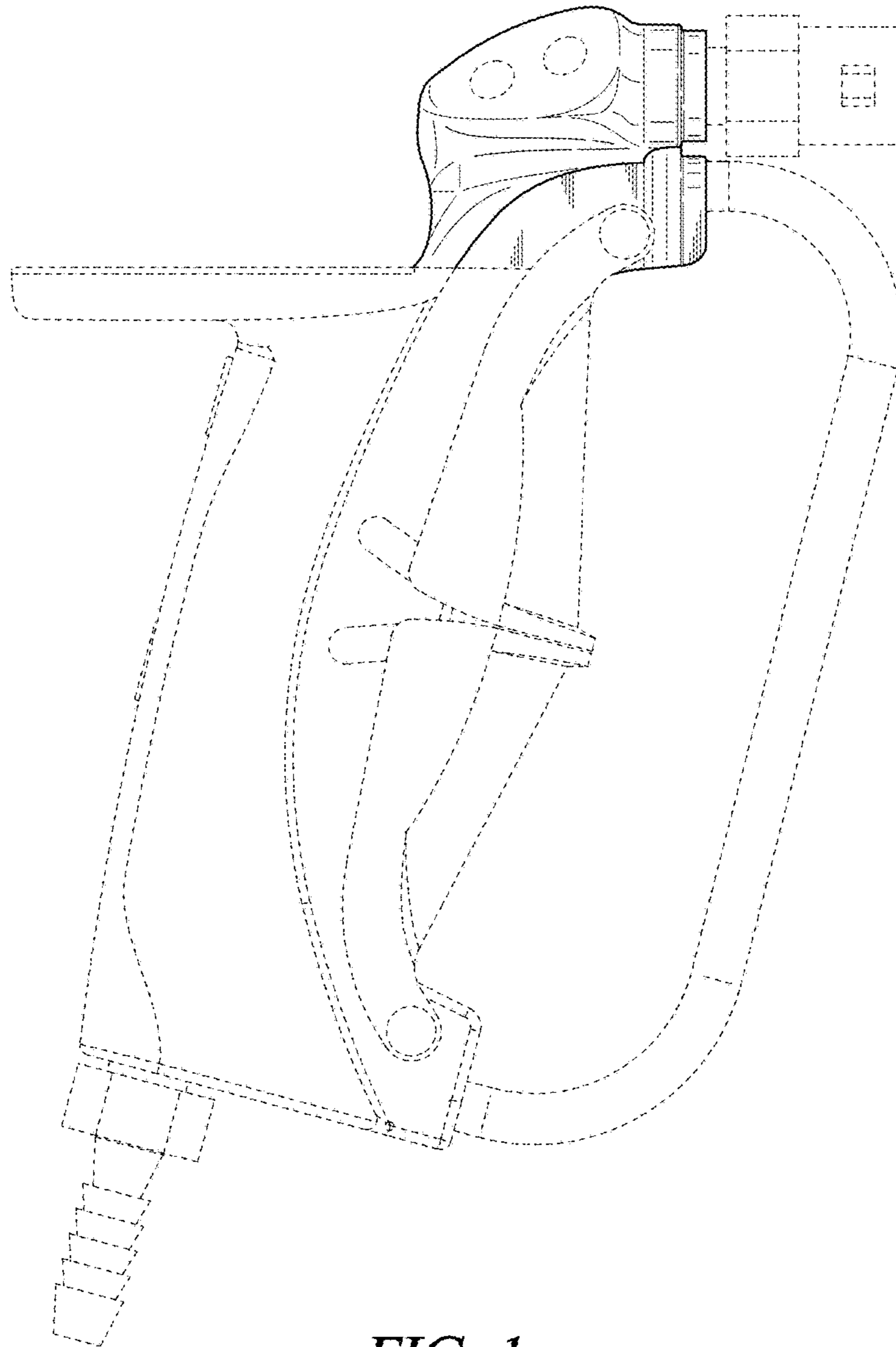


FIG. 1

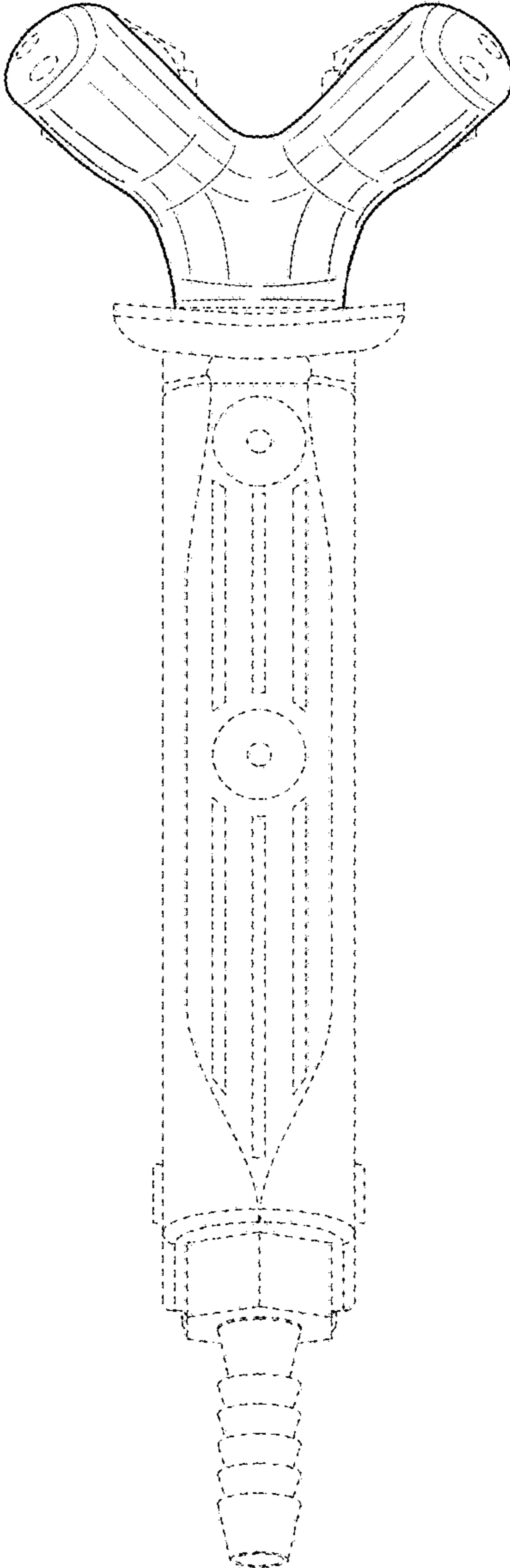


FIG. 2

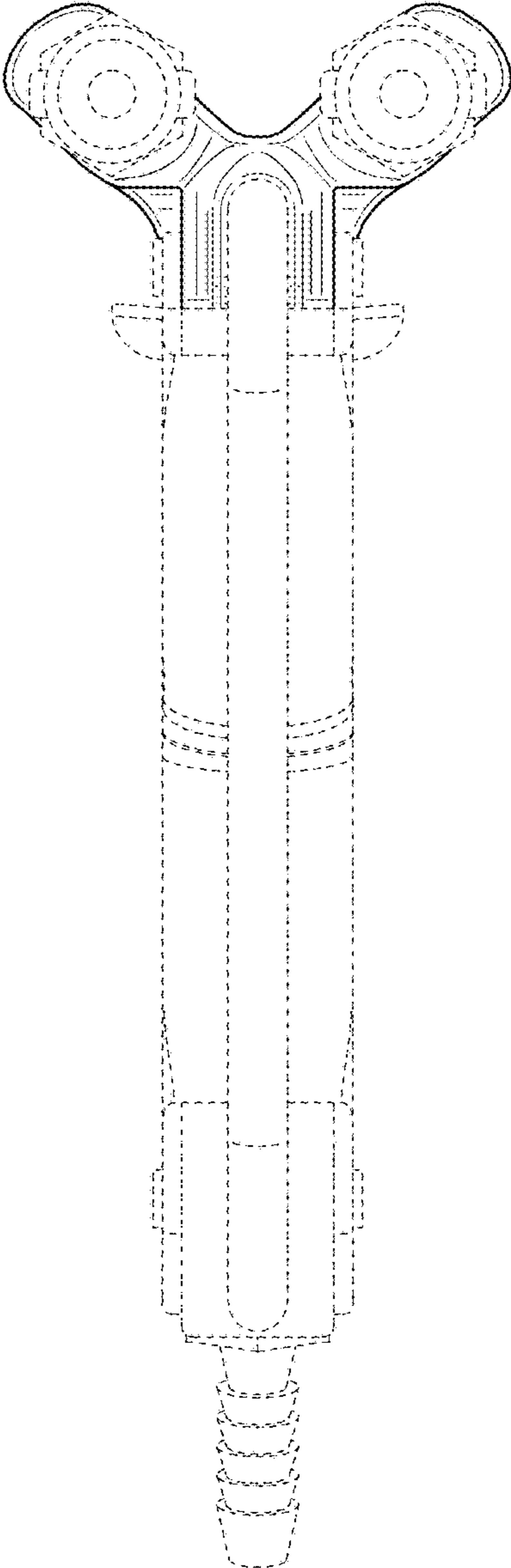


FIG. 3

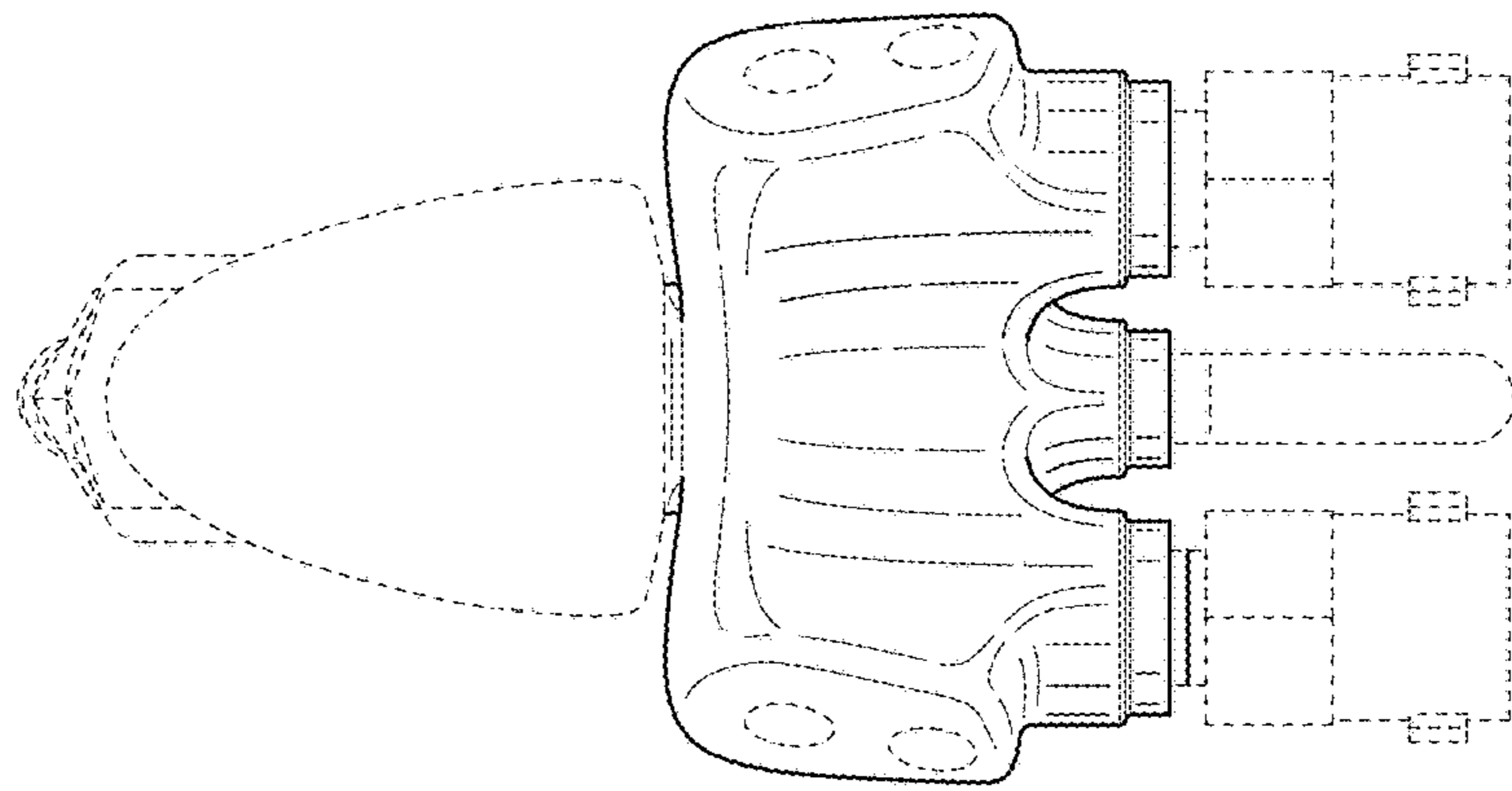


FIG. 4

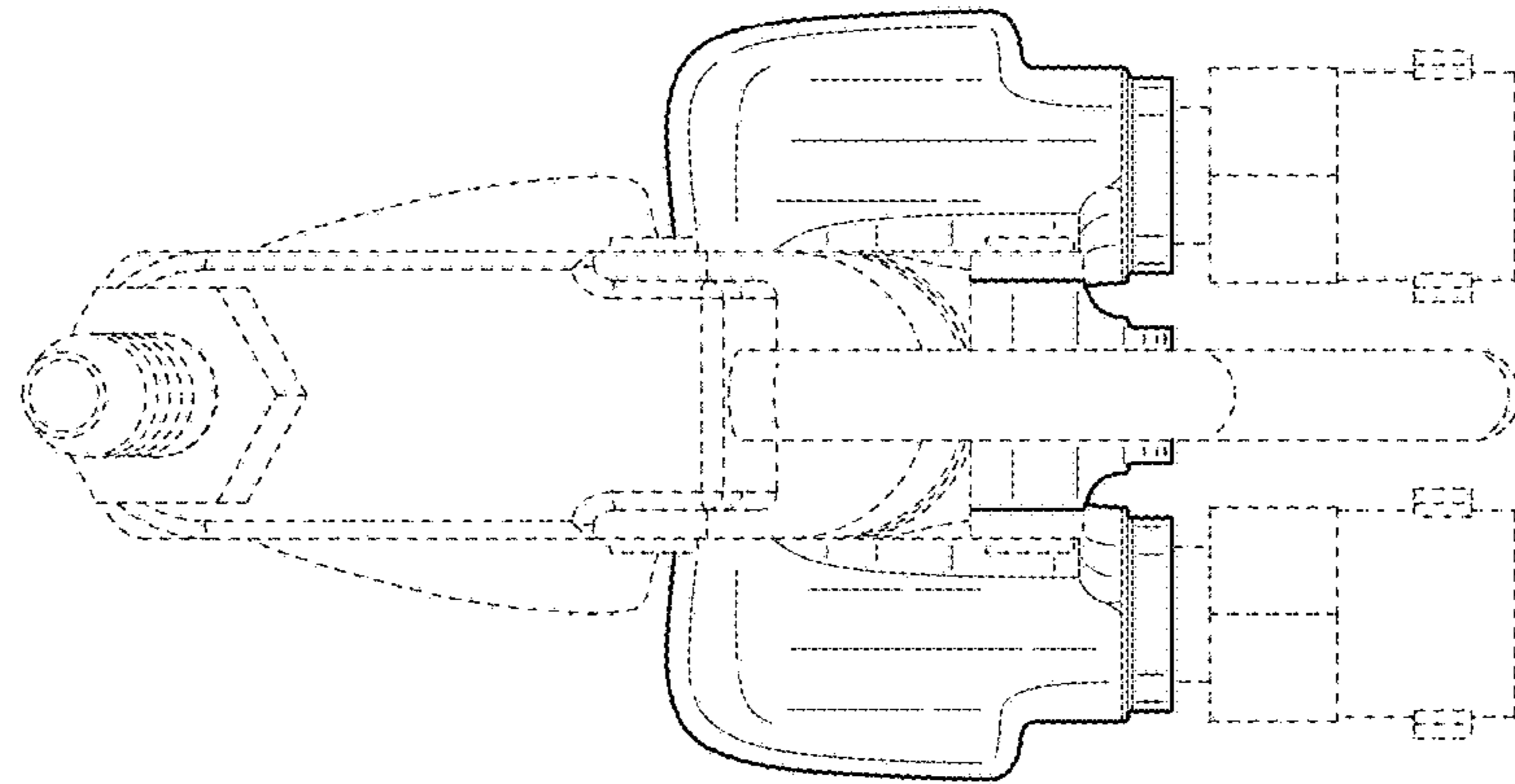


FIG. 5