



US00D851211S

(12) **United States Design Patent** (10) **Patent No.:** **US D851,211 S**
Pellin et al. (45) **Date of Patent:** **** Jun. 11, 2019**

(54) **PROTECTIVE COATINGS SPRAYER**

(56) **References Cited**

(71) Applicant: **Graco Minnesota Inc.**, Minneapolis, MN (US)

U.S. PATENT DOCUMENTS

(72) Inventors: **Christopher J. Pellin**, Burnsville, MN (US); **Jacob T. Elmer**, New Hope, MN (US); **Roman S. Kopylov**, Minneapolis, MN (US); **Jeffrey N. Velgersdyk**, Minnetonka, MN (US); **Bryan K. Colby**, Columbia Heights, MN (US); **Justin J. Weldon**, Belle Plaine, MN (US)

4,865,255	A	*	9/1989	Luvisotto	A01M 7/0035 239/149
D502,532	S	*	3/2005	Schroeder	D23/225
D580,516	S	*	11/2008	Mattson	D23/225
D580,517	S	*	11/2008	Mattson	D23/225
D616,064	S	*	5/2010	Mattson	D23/225
D769,414	S		10/2016	Roden et al.	
D771,222	S		11/2016	Pellin et al.	
D822,794	S	*	7/2018	Blenkush	D23/225

* cited by examiner

Primary Examiner — Robin V Webster

(73) Assignee: **Graco Minnesota Inc.**, Minneapolis, MN (US)

(74) *Attorney, Agent, or Firm* — Kyle Liudahl

(**) Term: **15 Years**

(57) **CLAIM**

(21) Appl. No.: **29/641,599**

The ornamental design for a protective coatings sprayer, as shown and described.

(22) Filed: **Mar. 23, 2018**

DESCRIPTION

(51) **LOC (11) Cl.** **23-01**

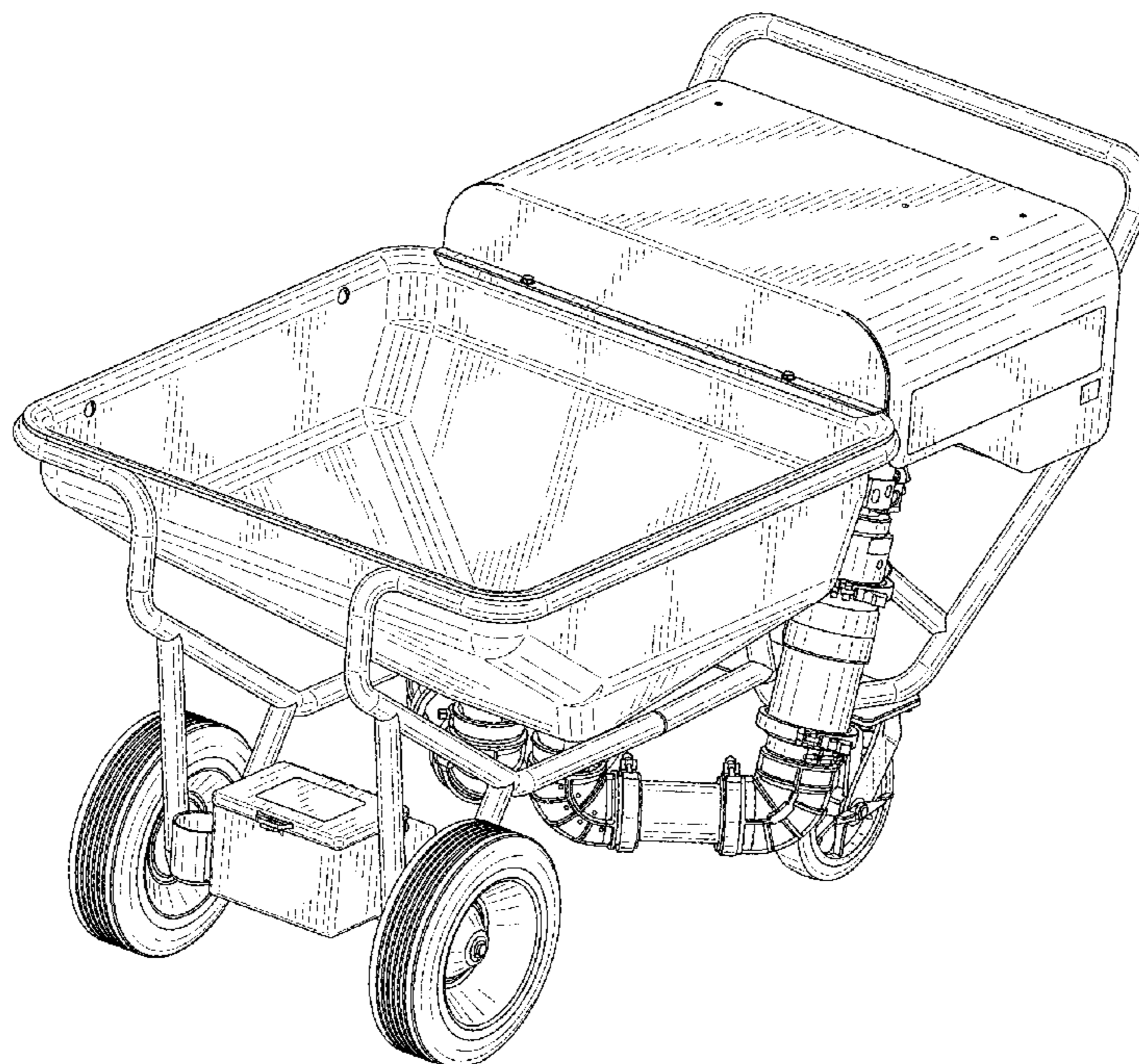
(52) **U.S. Cl.**
USPC **D23/225**

(58) **Field of Classification Search**
USPC D23/225; D15/13, 17; 239/302, 308, 239/323, 328
CPC .. B05B 7/24; B05B 9/08; B05B 17/00; B05B 7/1413; B05B 9/0883; B05B 7/2408; B05B 7/241; A01M 7/0046; A01M 7/0035; A01C 15/02

FIG. 1 is a front perspective view of a protective coatings sprayer;
FIG. 2 is a rear perspective view thereof,
FIG. 3 is a front view thereof,
FIG. 4 is a left side view thereof,
FIG. 5 is a rear view thereof,
FIG. 6 is a right side view thereof;
FIG. 7 is a top view thereof; and,
FIG. 8 is a bottom view of a protective coatings sprayer.

See application file for complete search history.

1 Claim, 8 Drawing Sheets



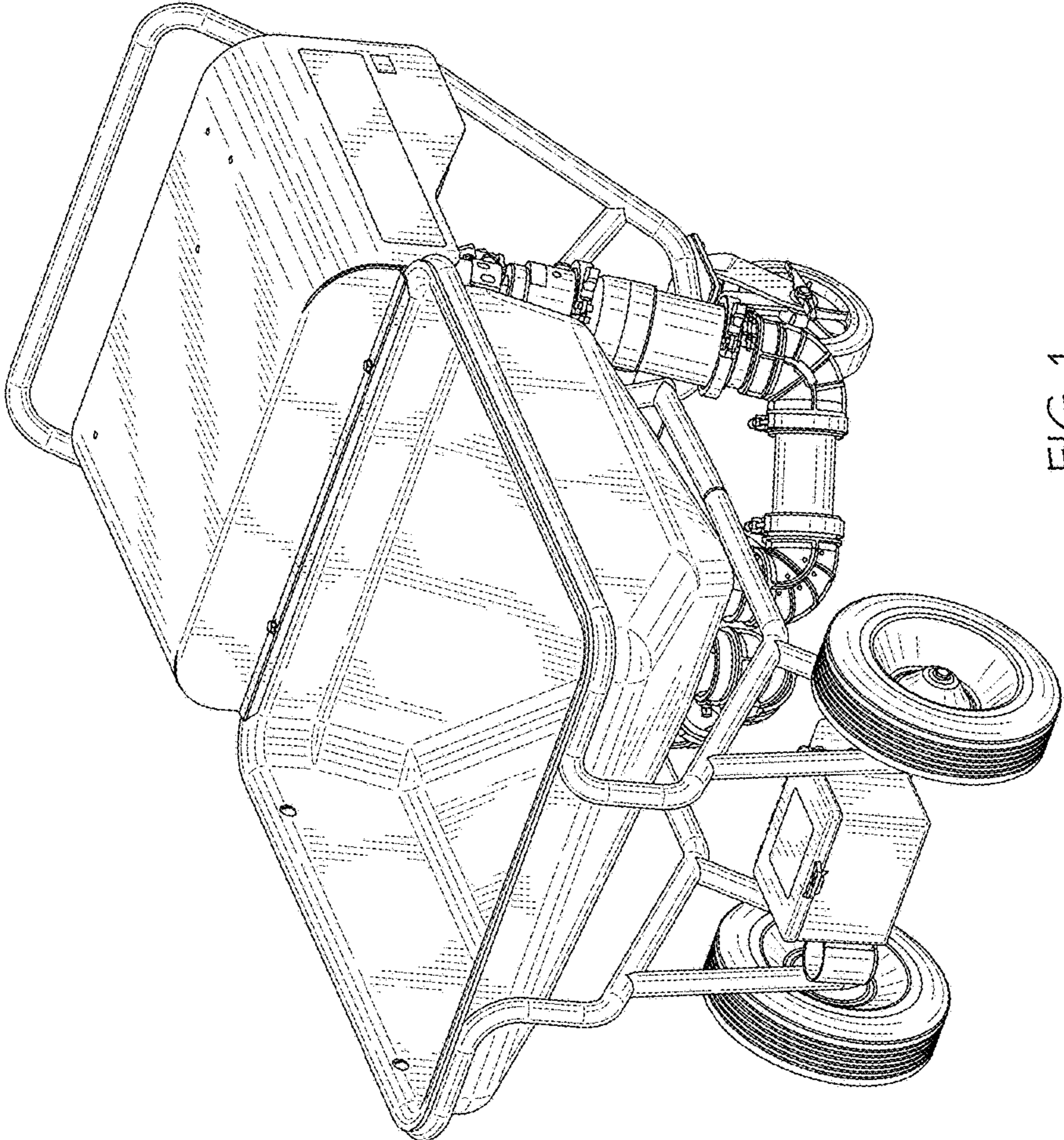


FIG. 1

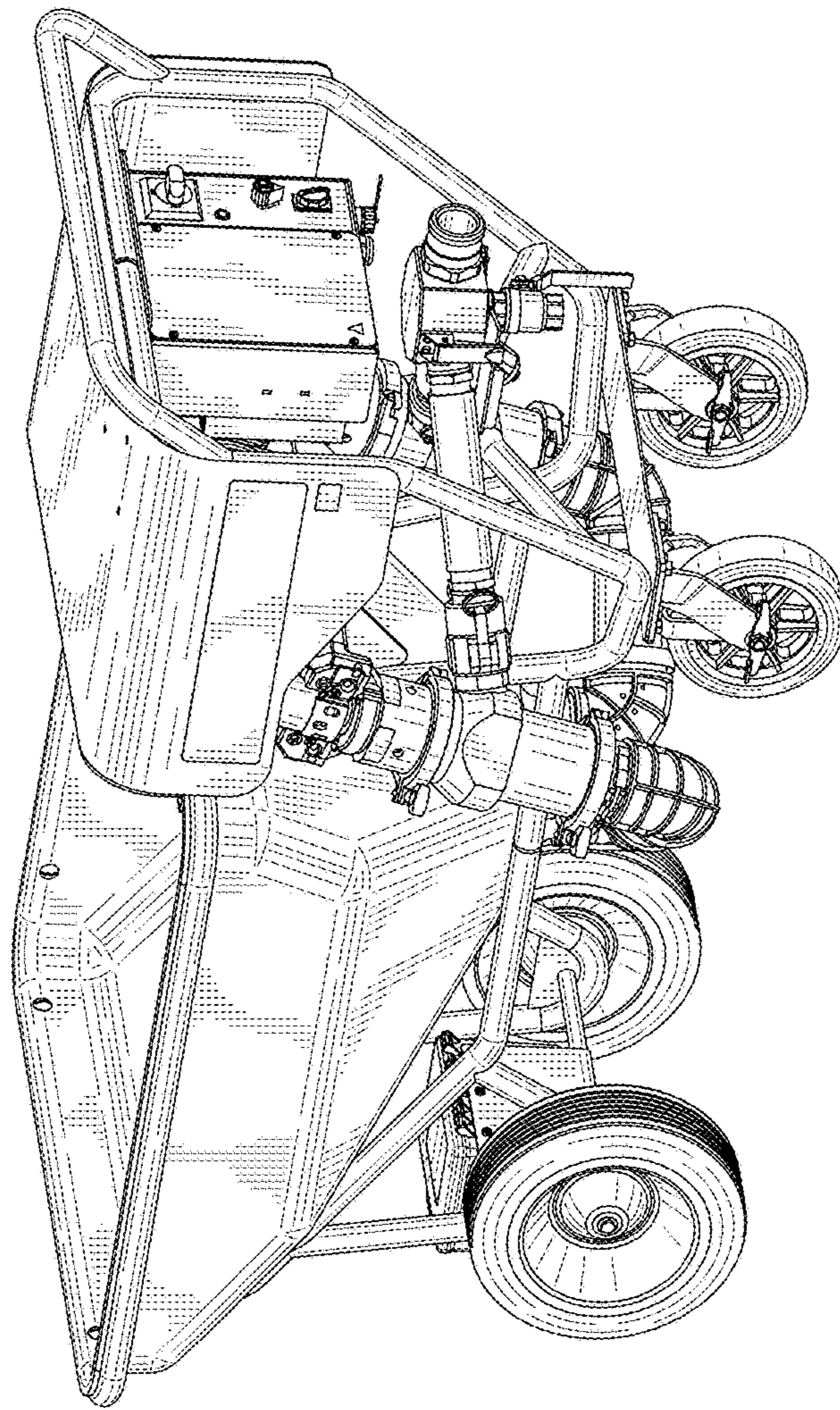


FIG. 2

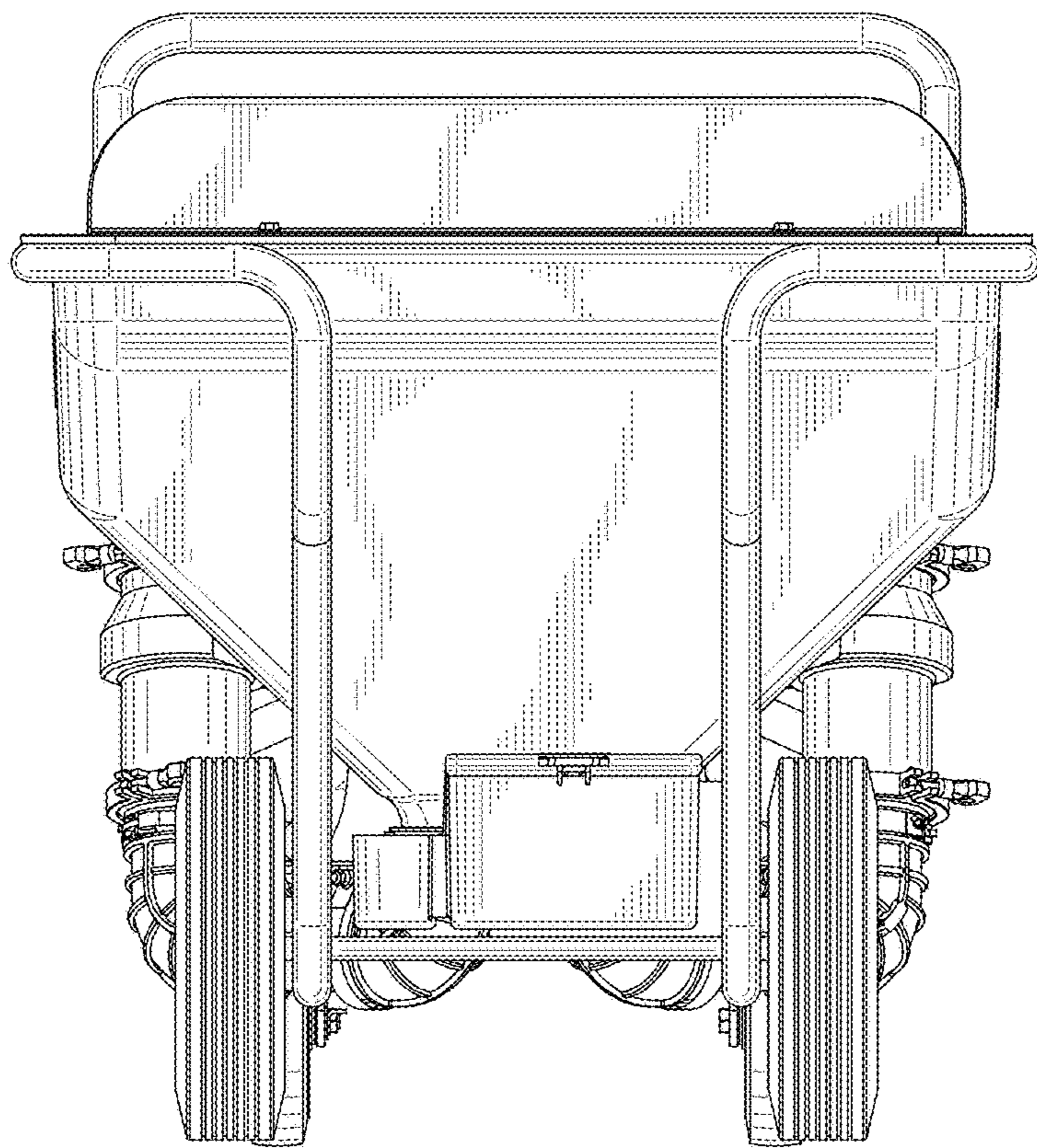


FIG. 3

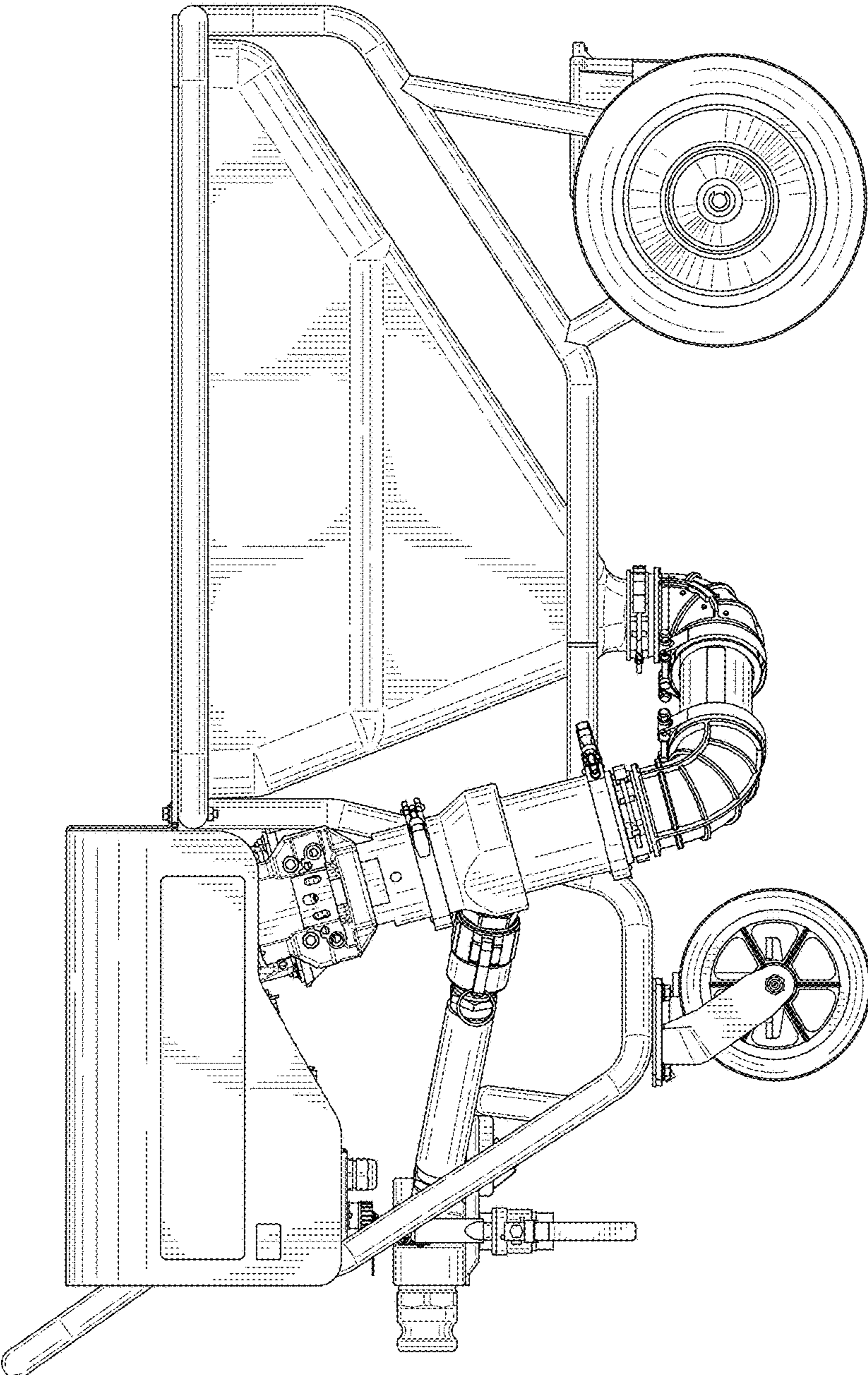


FIG. 4

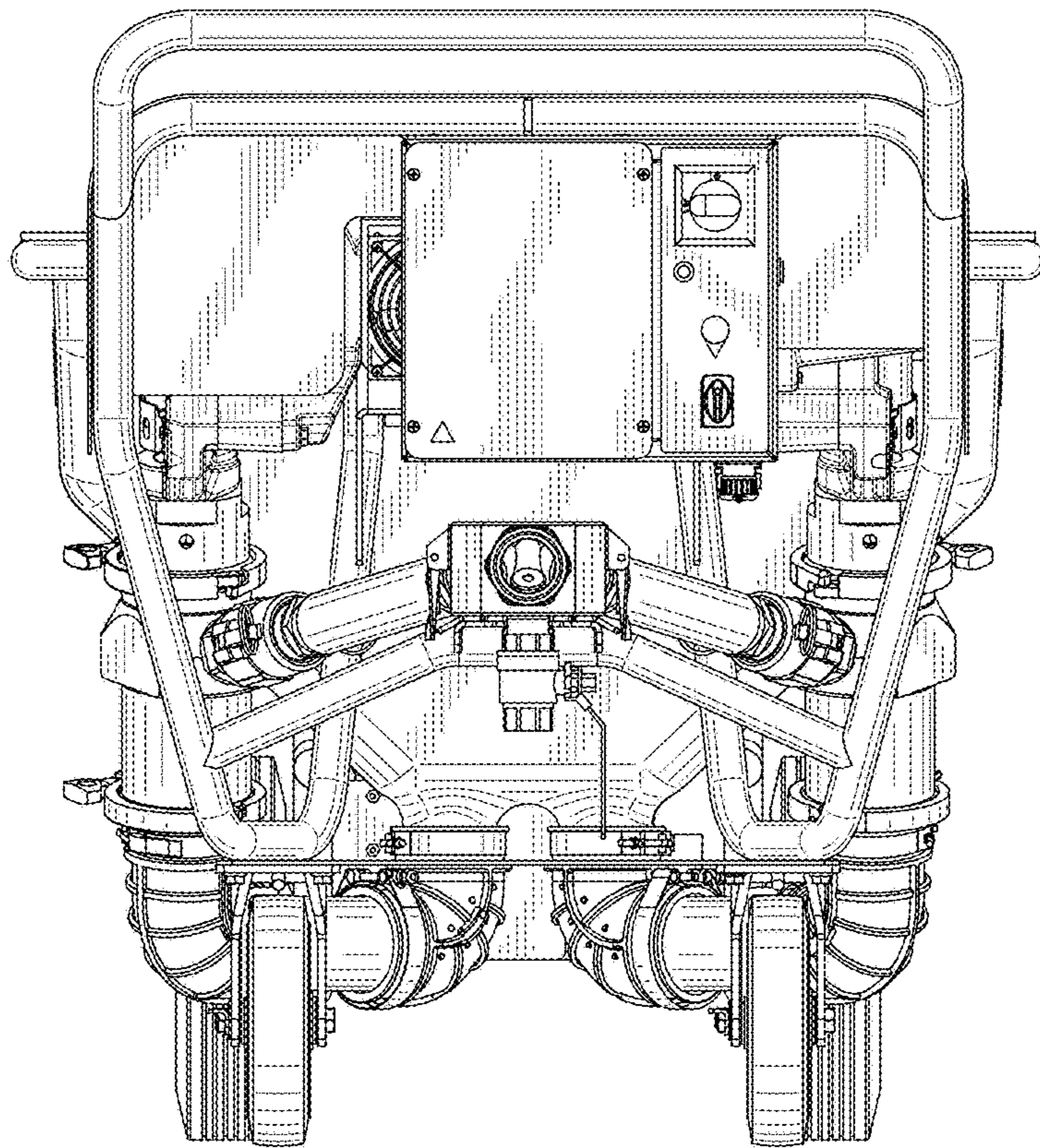


FIG. 5

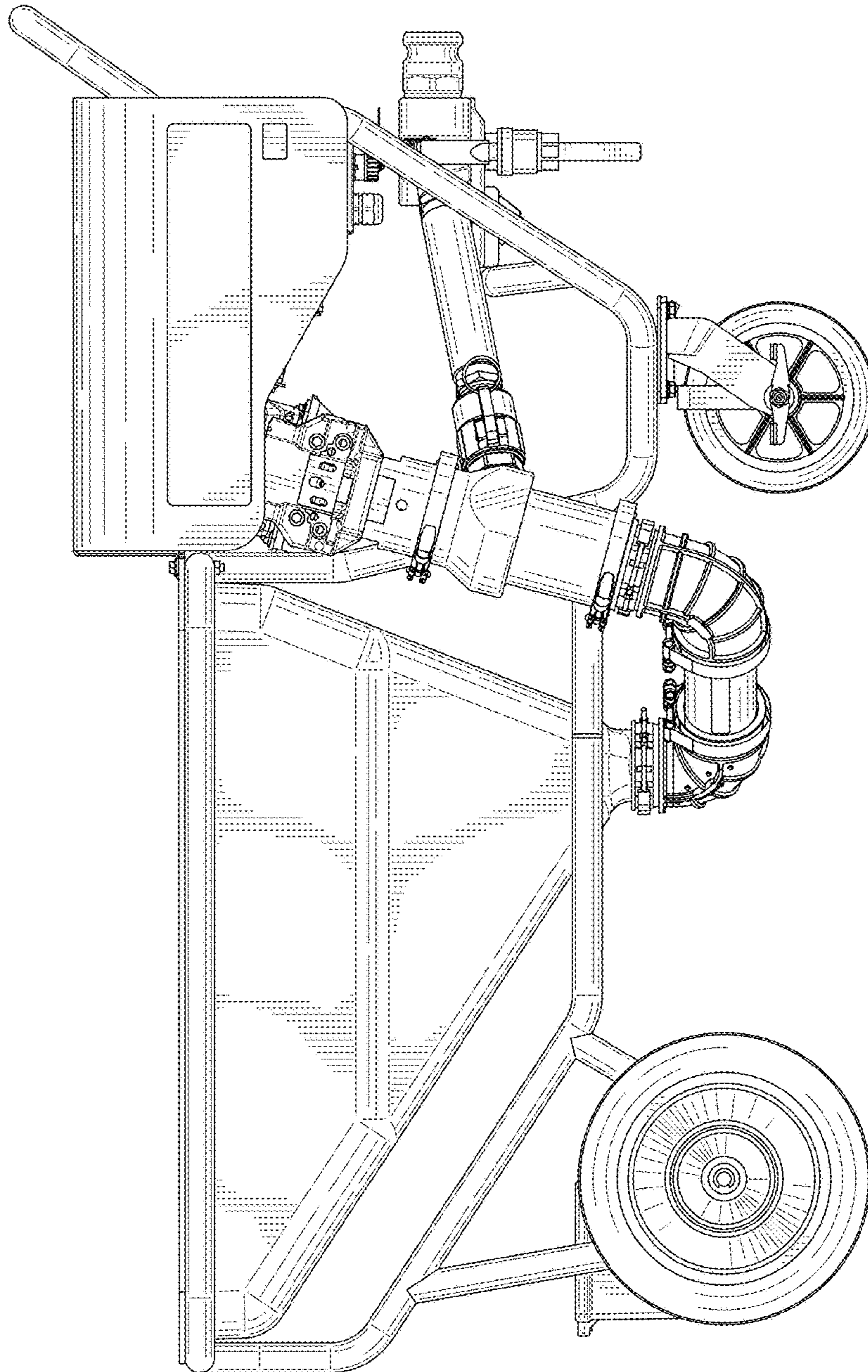


FIG. 6

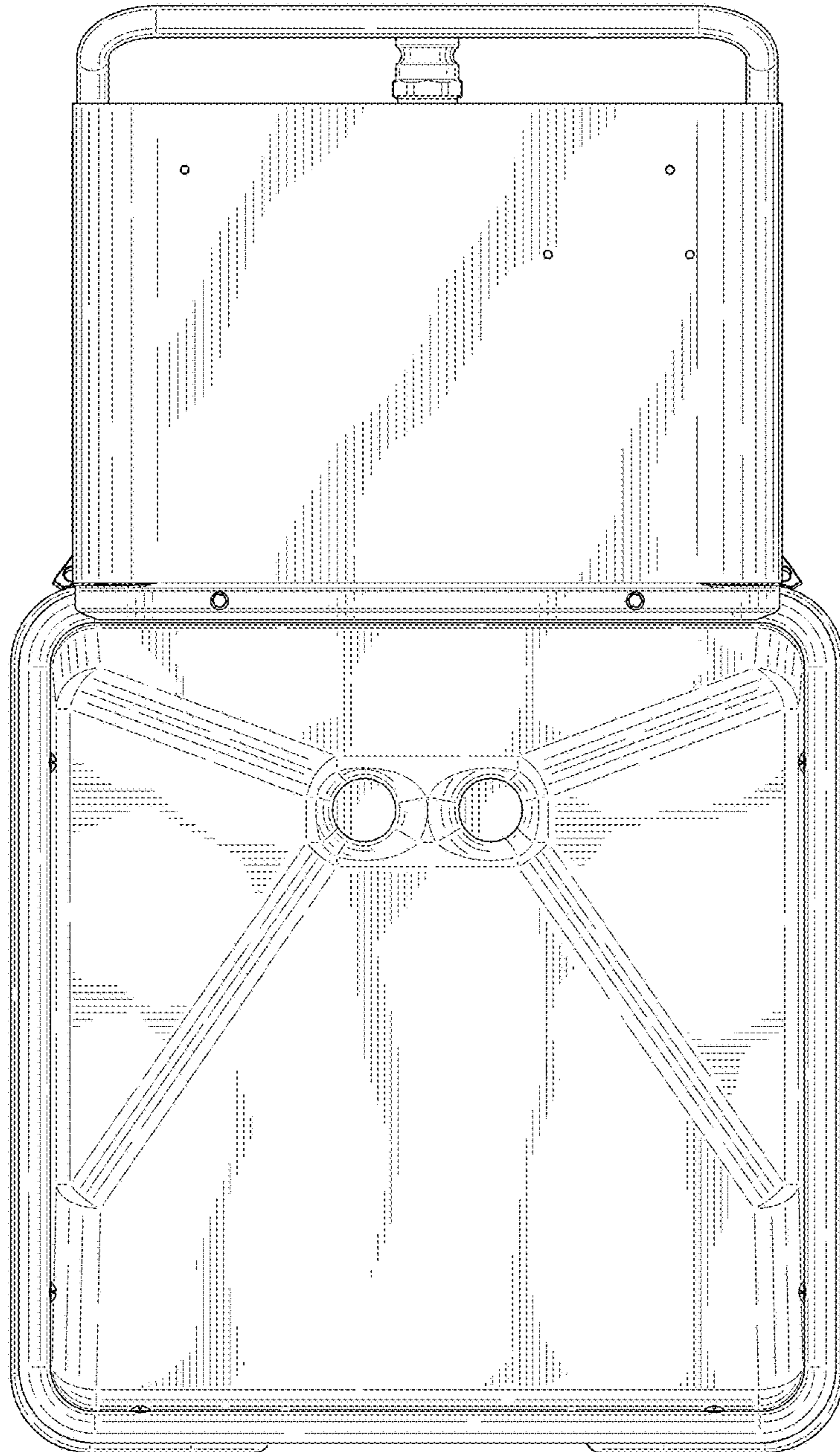


FIG. 7

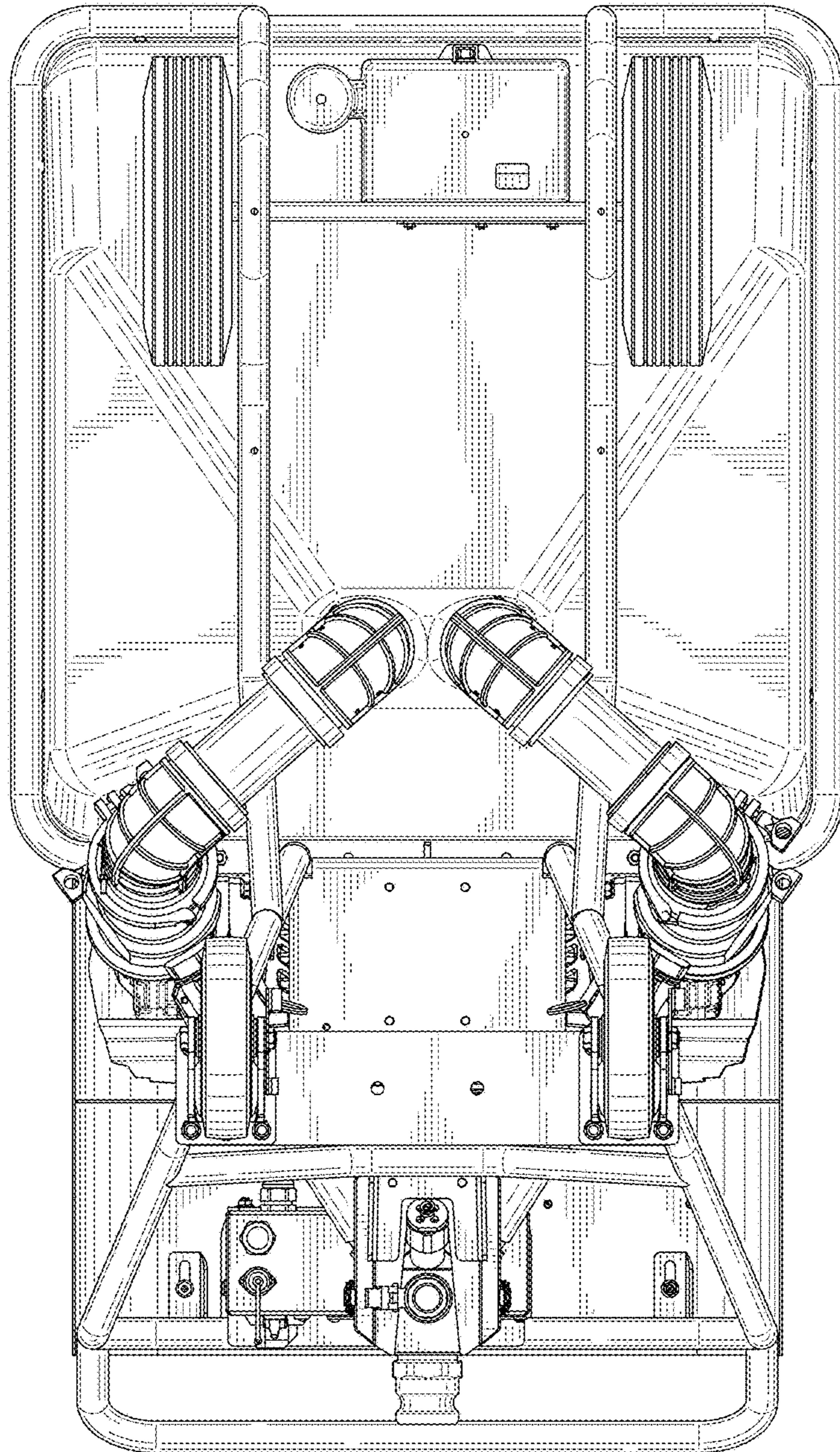


FIG. 8