



US00D851210S

(12) **United States Design Patent**
Gooden

(10) **Patent No.:** **US D851,210 S**

(45) **Date of Patent:** **** Jun. 11, 2019**

(54) **FOAMING SPRAY CANISTER**

(71) Applicant: **Hopkins Manufacturing Corporation,**
Emporia, KS (US)

(72) Inventor: **Marcus Gooden,** LomaLinda, CA (US)

(73) Assignee: **Hopkins Manufacturing Corporation,**
Emporia, KS (US)

(**) Term: **15 Years**

(21) Appl. No.: **29/640,742**

(22) Filed: **Mar. 16, 2018**

(51) **LOC (11) Cl.** **23-01**

(52) **U.S. Cl.**
USPC **D23/225**

(58) **Field of Classification Search**
USPC D23/225; D15/13, 17; 239/302, 308,
239/323, 328

CPC .. B05B 7/24; B05B 9/08; B05B 17/00; B05B
7/1413; B05B 9/0883; B05B 7/2408;
B05B 7/241; A01M 7/0046; A01M
7/0035; A01C 15/02; A62C 5/02

See application file for complete search history.

(56) **References Cited**

U.S. PATENT DOCUMENTS

D432,372 S * 10/2000 Iacofano B05B 7/2443
D23/225
7,063,277 B2 * 6/2006 Englhard B05B 7/2443
239/318

D562,434 S * 2/2008 Kroll D23/225
D708,301 S * 7/2014 Jackson D23/225
D761,937 S * 7/2016 Popek D23/225
D809,097 S * 1/2018 Bates D23/225
D816,800 S * 5/2018 Tarter Garro D23/225
D827,773 S * 9/2018 Schneider D23/225

* cited by examiner

Primary Examiner — Robin V Webster

(74) *Attorney, Agent, or Firm* — Bond Schoeneck &
King, PLLC; George R. McGuire

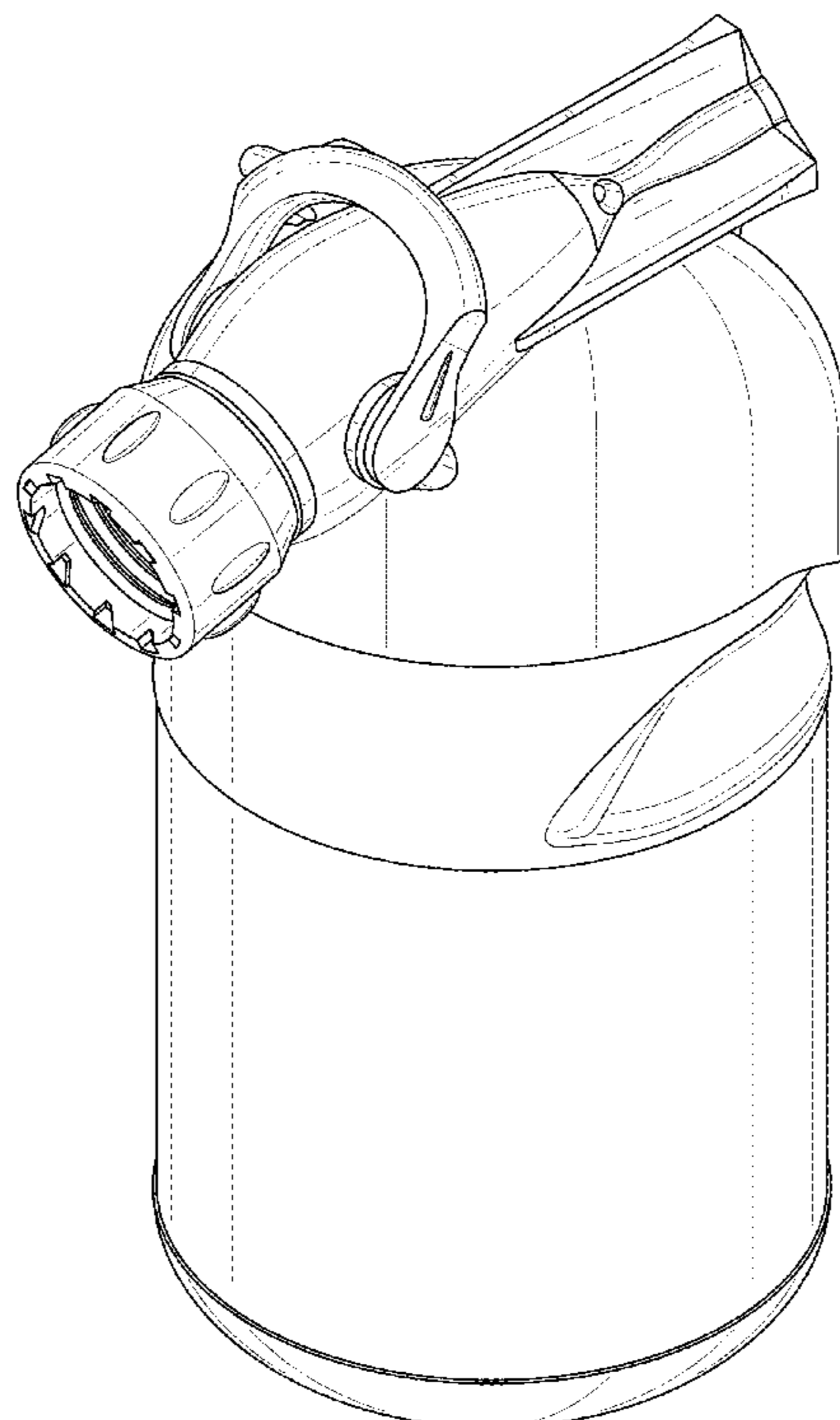
(57) **CLAIM**

The ornamental design for a foaming spray canister, as shown and described.

DESCRIPTION

FIG. 1 is a perspective view of a new and ornamental design for a foaming spray canister;
FIG. 2 is a front elevation view thereof;
FIG. 3 is a rear elevation view thereof;
FIG. 4 is a first side elevation view thereof;
FIG. 5 is a second side elevation view thereof;
FIG. 6 is a top plan view thereof; and,
FIG. 7 is a bottom plan view thereof.

1 Claim, 7 Drawing Sheets



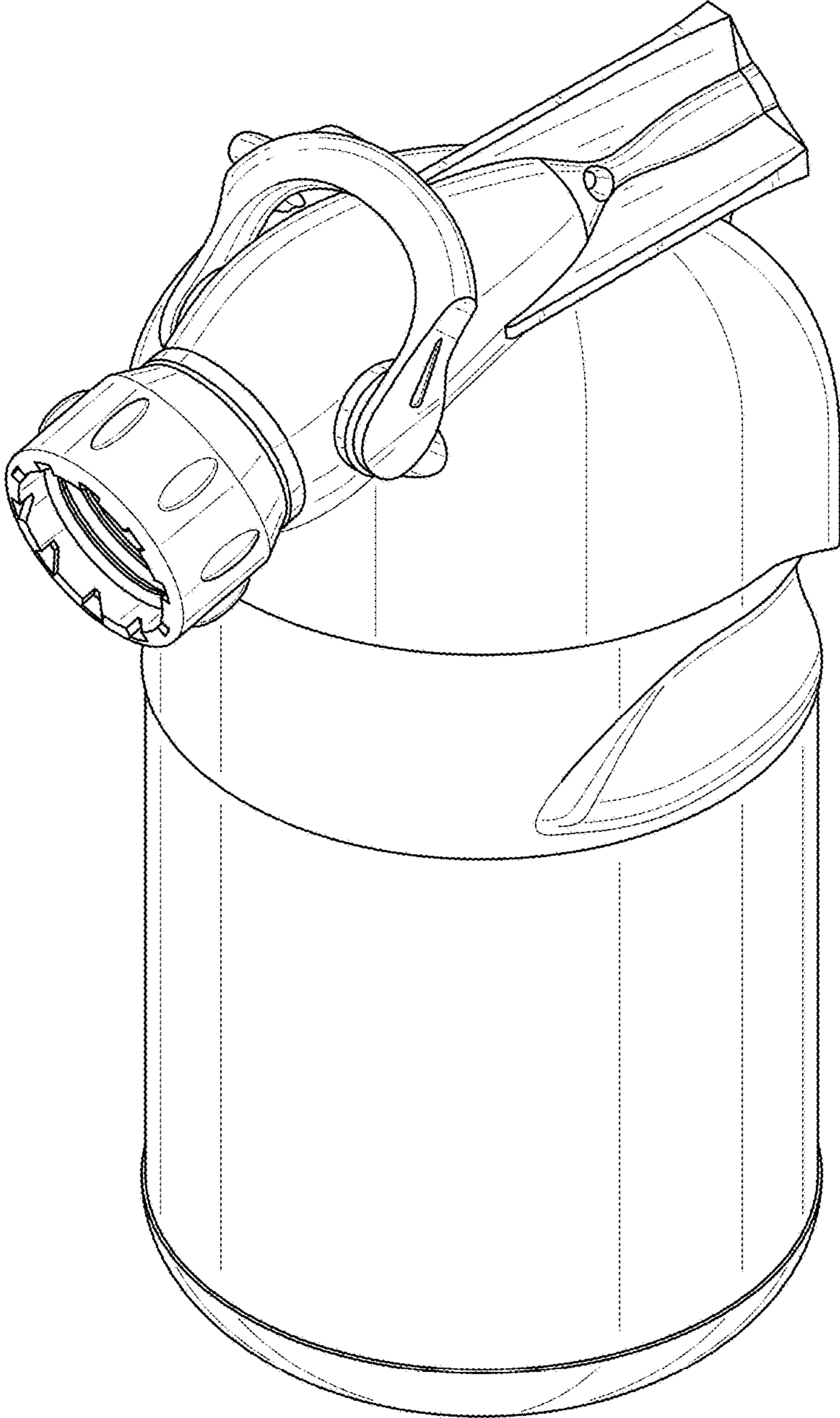


FIG. 1

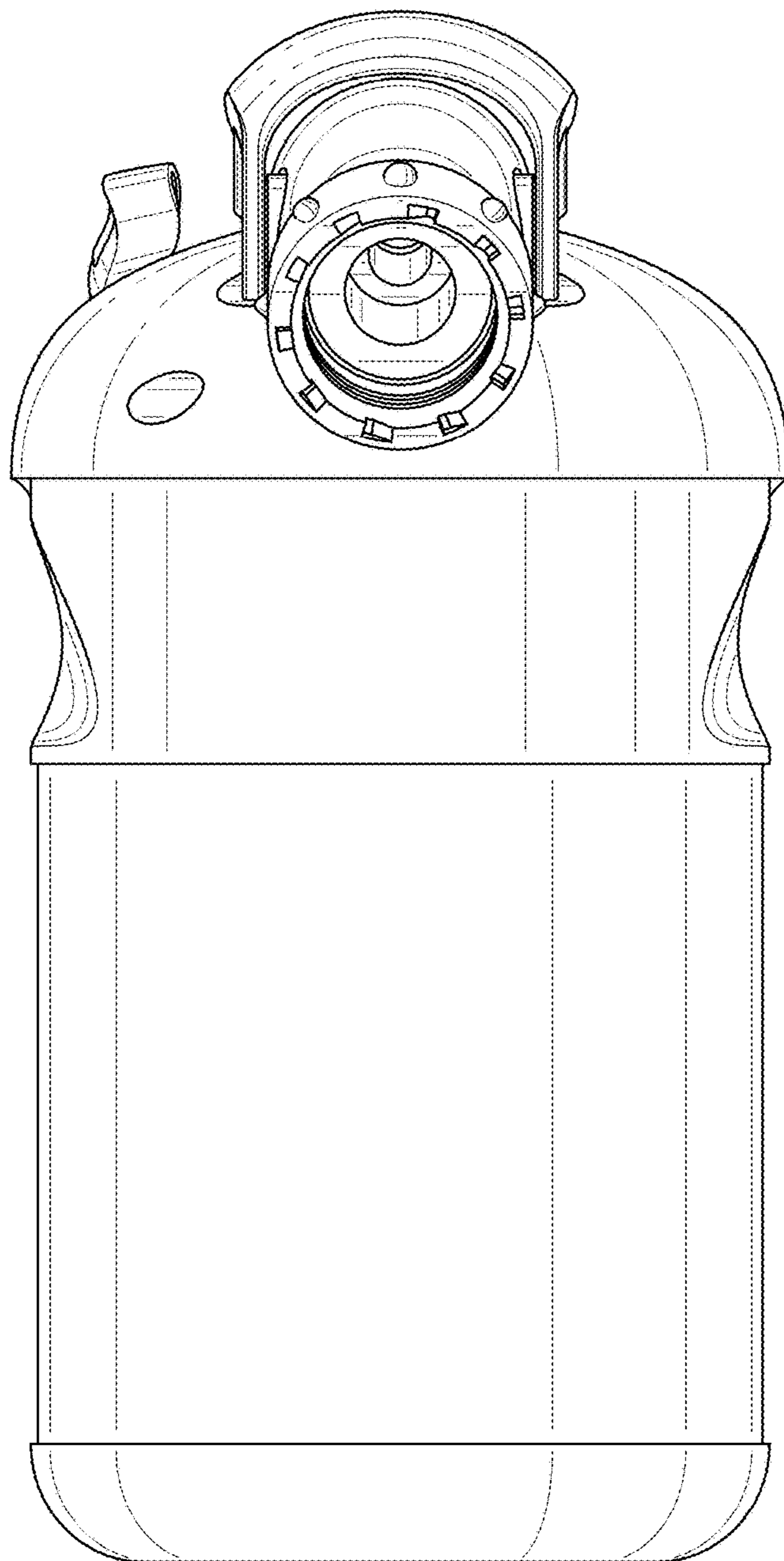


FIG. 2

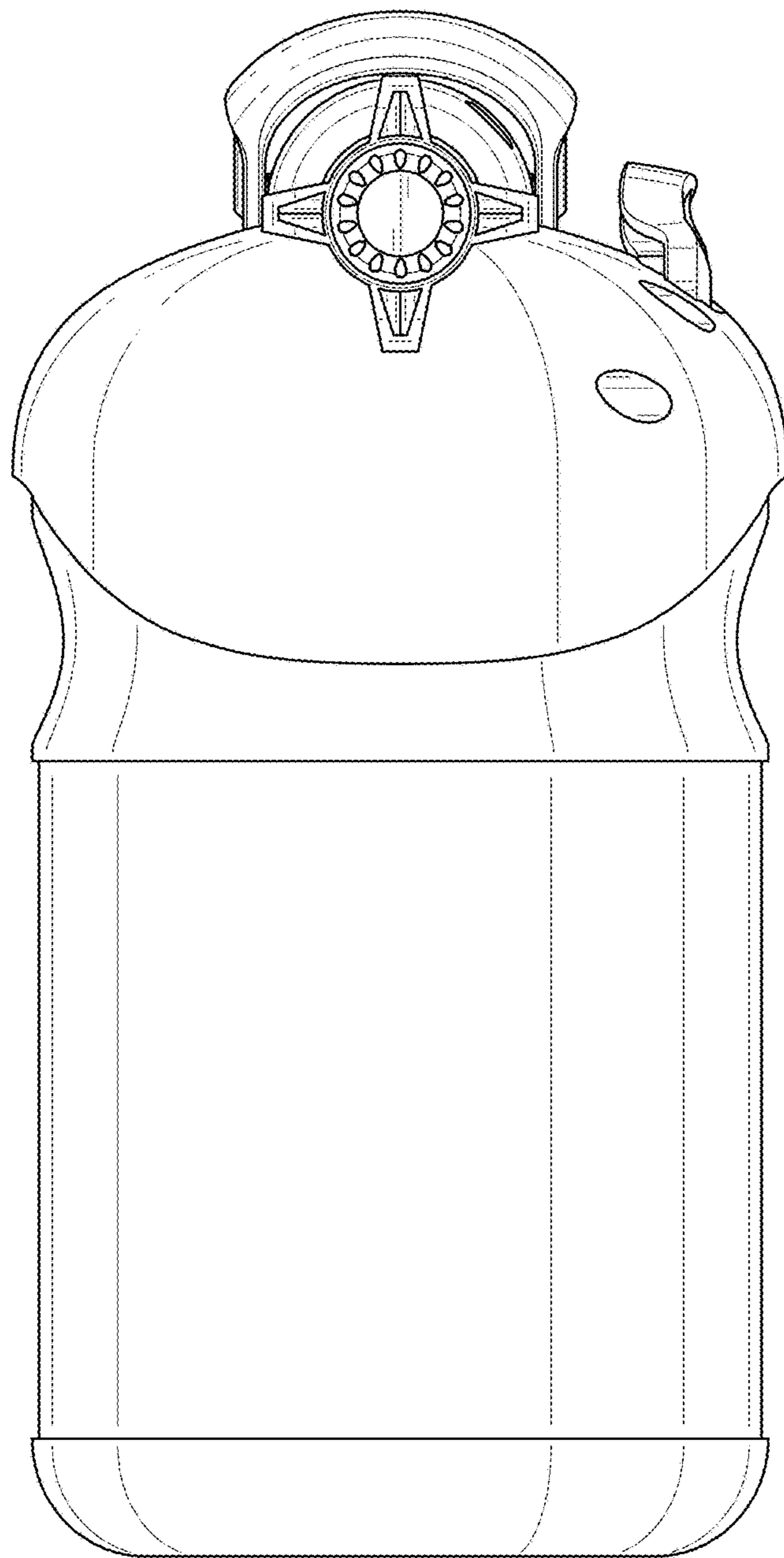


FIG. 3

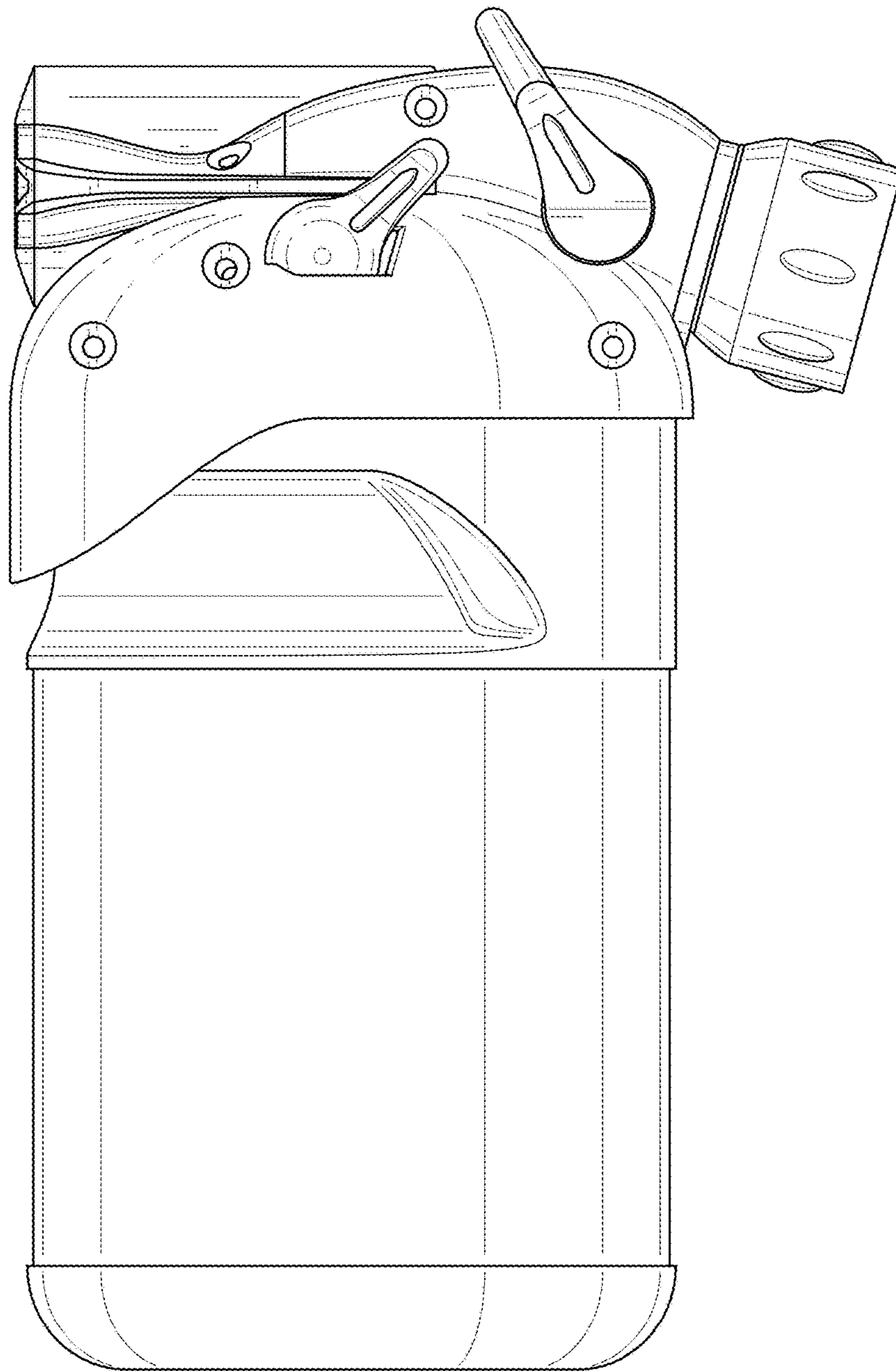


FIG. 4

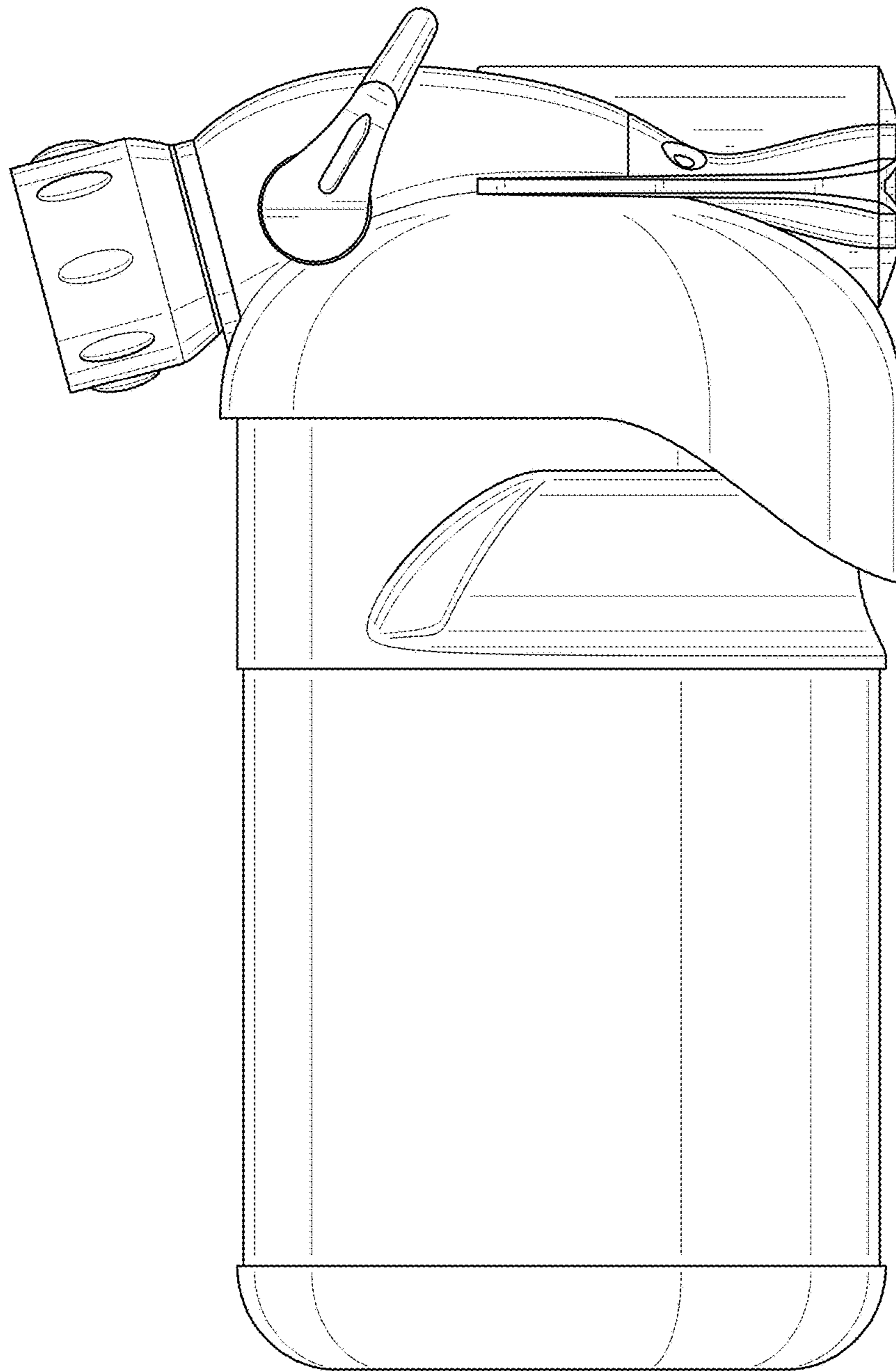


FIG. 5

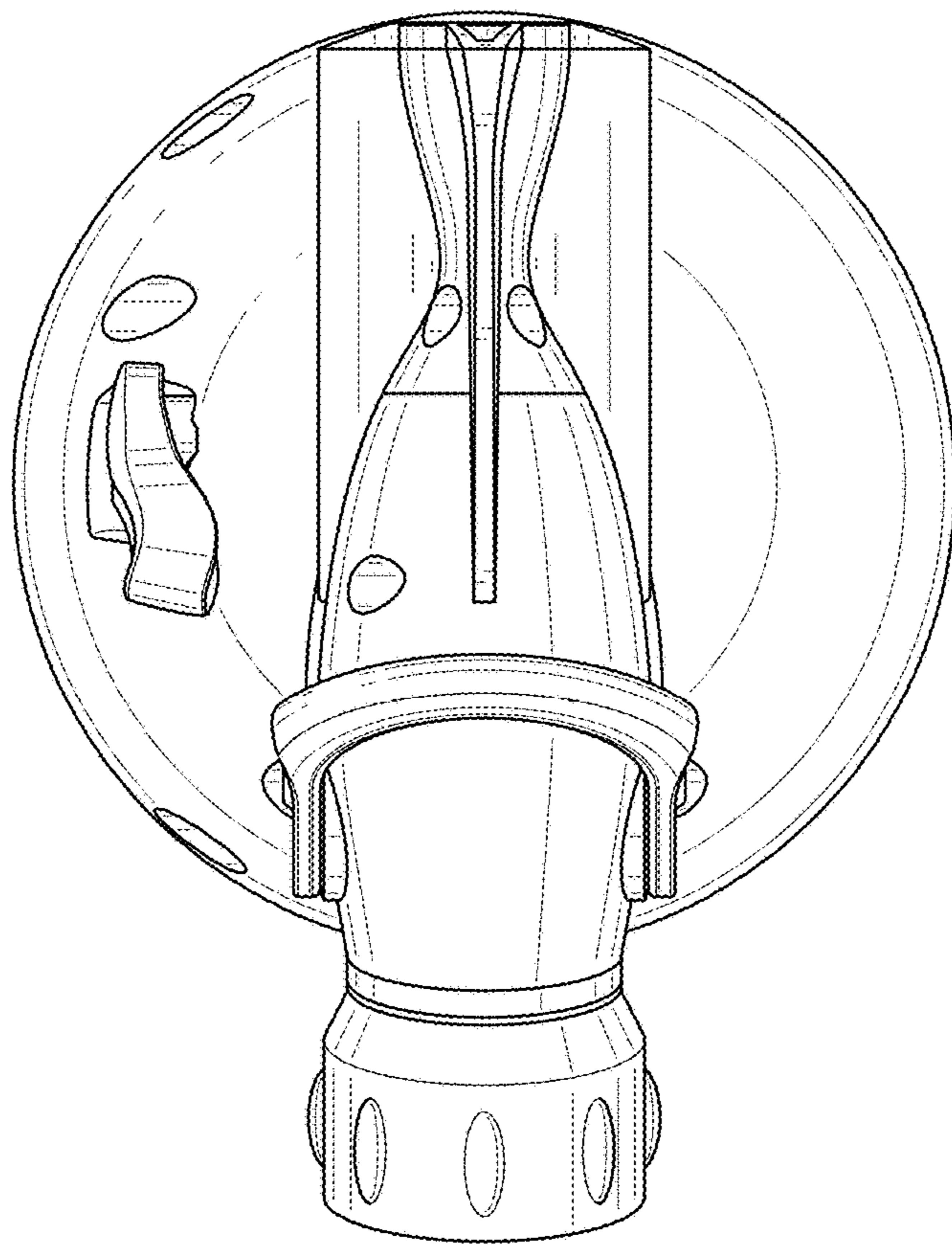


FIG. 6

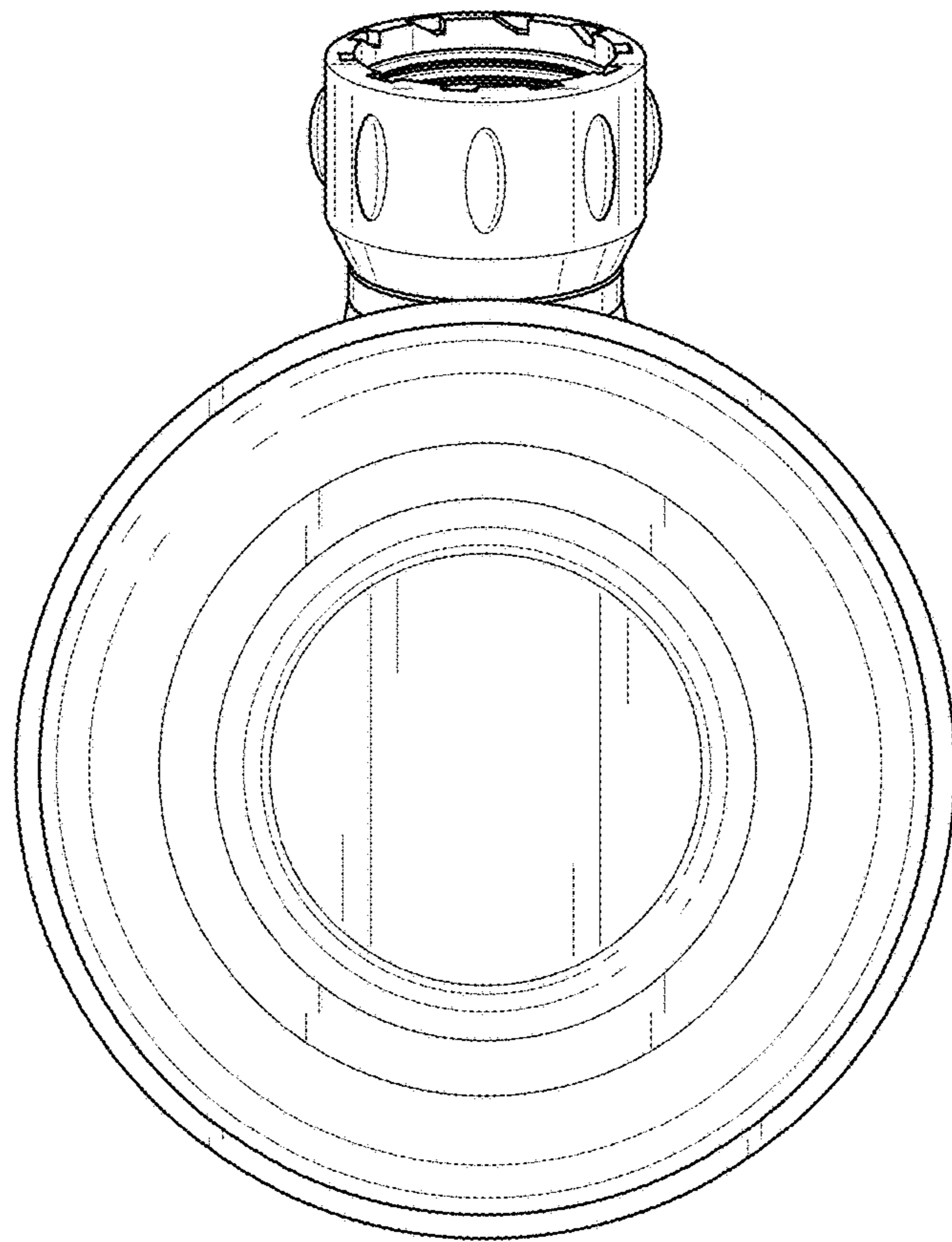


FIG. 7