



US00D851209S

(12) **United States Design Patent**  
**Cheng**

(10) **Patent No.:** **US D851,209 S**  
(45) **Date of Patent:** **\*\* Jun. 11, 2019**

(54) **SPRINKLER GUN**  
(71) Applicant: **Yuan Mei Corp.**, Chang Hua Hsien  
(TW)

D748,758 S \* 2/2016 Duong ..... D23/223  
D771,774 S \* 11/2016 Chen ..... D23/223  
D824,489 S \* 7/2018 Montoya ..... D23/223  
D824,491 S \* 7/2018 Montoya ..... D23/223

(72) Inventor: **Chi-Han Cheng**, Chang Hua Hsien  
(TW)

FOREIGN PATENT DOCUMENTS

(73) Assignee: **Yuan Mei Corp.**, Chang Hua Hsien  
(TW)

TW D185827 S 10/2017  
TW D185828 S 10/2017  
TW D187224 S 12/2017  
TW D187225 S 12/2017  
TW D187226 S 12/2017

(\*\*) Term: **15 Years**

\* cited by examiner

(21) Appl. No.: **29/629,598**

*Primary Examiner* — Robin V Webster

(22) Filed: **Dec. 14, 2017**

(74) *Attorney, Agent, or Firm* — Stinton Leonard Street  
LLP

(51) **LOC (11) Cl.** ..... **23-01**

(52) **U.S. Cl.**  
USPC ..... **D23/223**

(57) **CLAIM**

The ornamental design for a sprinkler gun, as shown and described.

(58) **Field of Classification Search**  
USPC ..... D23/213, 223, 226  
CPC ..... A01M 7/0046; B05B 9/01; B05B 1/30;  
B05B 7/08; B05B 5/1691; B05B 5/043;  
B05B 5/025; B05B 1/005; B05B 7/083  
See application file for complete search history.

**DESCRIPTION**

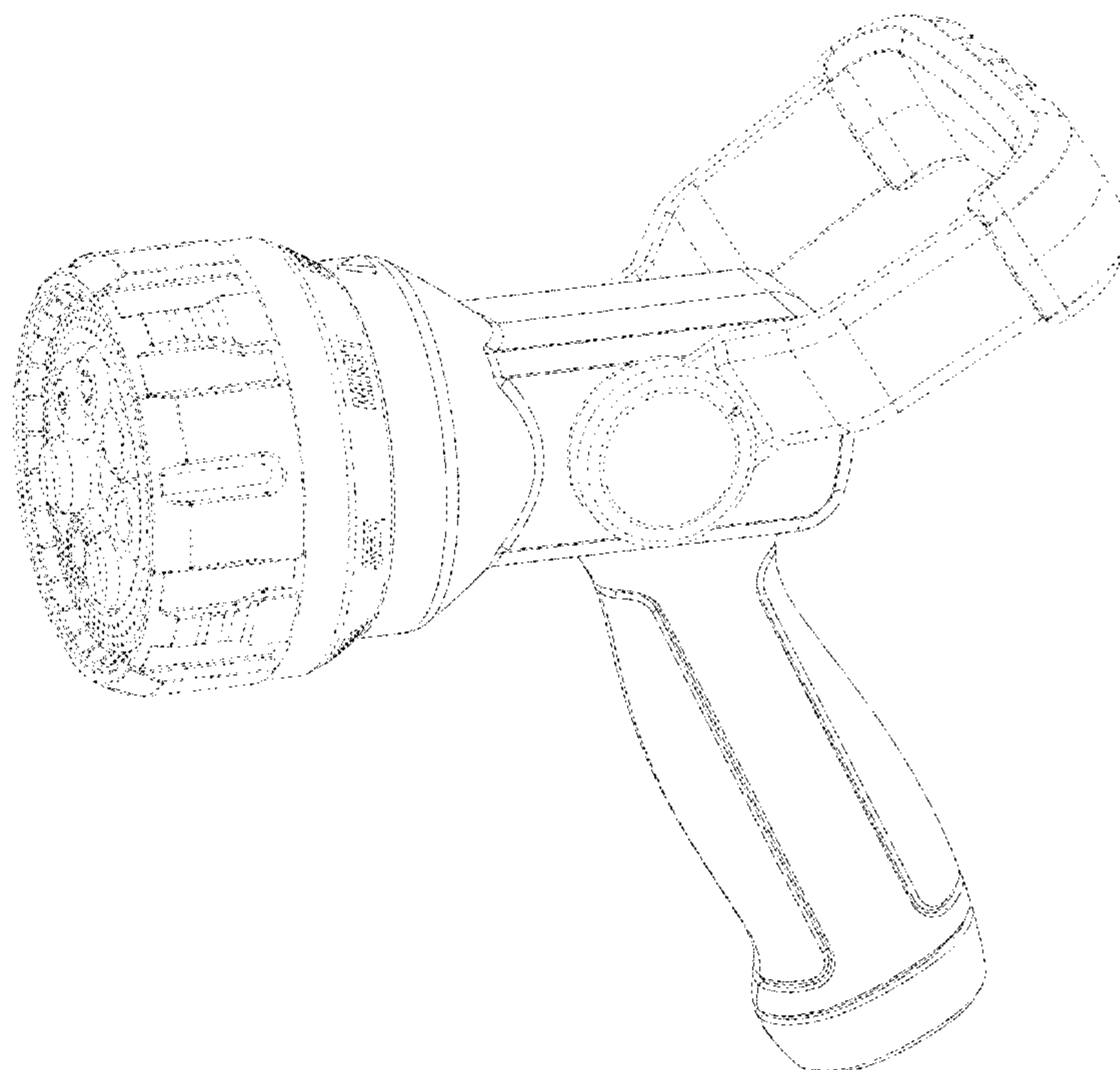
FIG. 1 is a right front perspective view of a sprinkler gun showing our new design;  
FIG. 2 is a right side view thereof;  
FIG. 3 is a left side view thereof;  
FIG. 4 is a front view thereof;  
FIG. 5 is a rear view thereof;  
FIG. 6 is a top view thereof; and,  
FIG. 7 is a bottom view thereof.  
Portions of the sprinkler gun are shown in broken lines for illustrative purposes and form no part of the claimed design.

(56) **References Cited**

U.S. PATENT DOCUMENTS

D604,390 S \* 11/2009 Cheng ..... D23/223  
D650,042 S \* 12/2011 Nies ..... D23/223  
D650,043 S \* 12/2011 Nies ..... D23/223  
D677,362 S \* 3/2013 Christopher ..... D23/223  
D746,946 S \* 1/2016 Naslund ..... D23/223

**1 Claim, 7 Drawing Sheets**



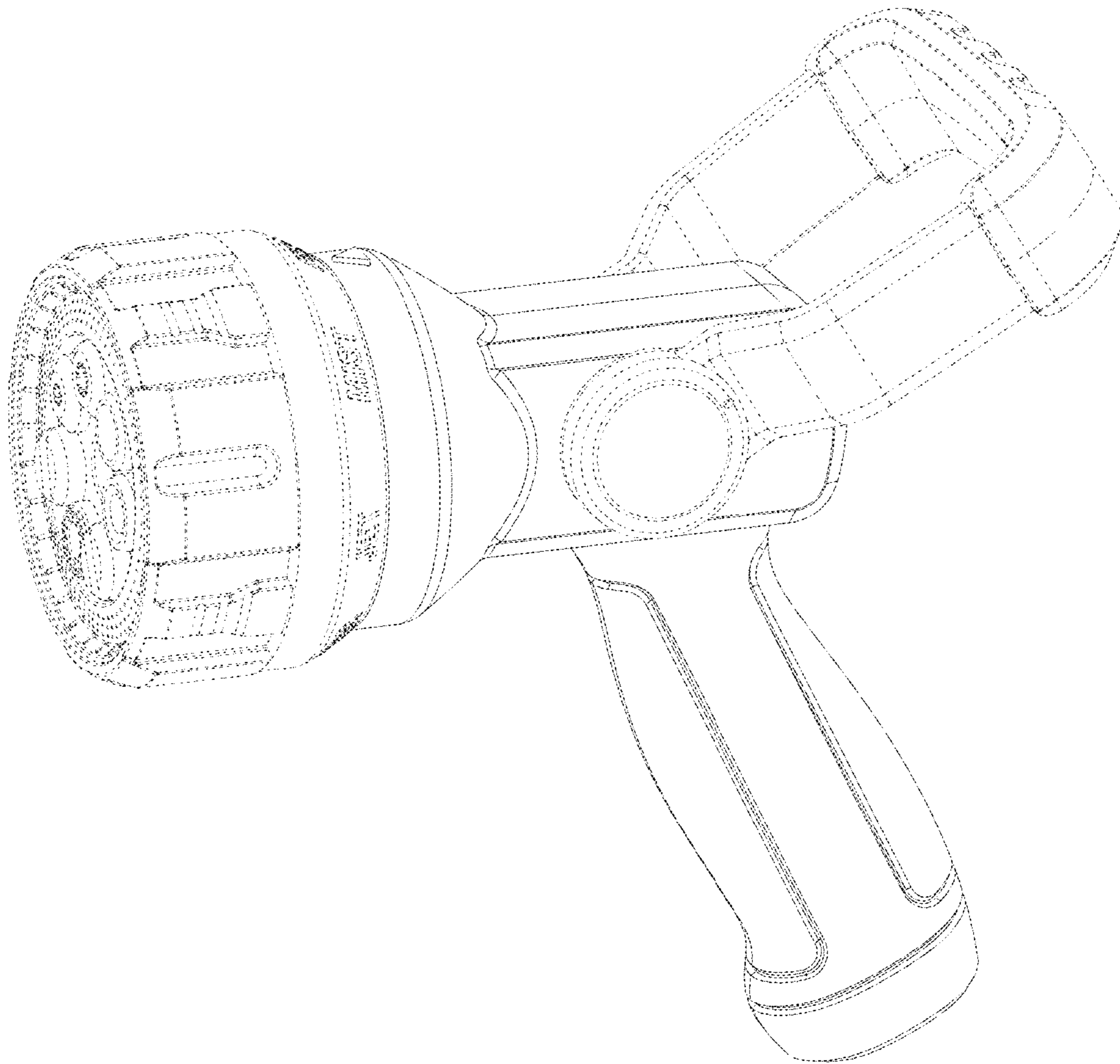


FIG.1

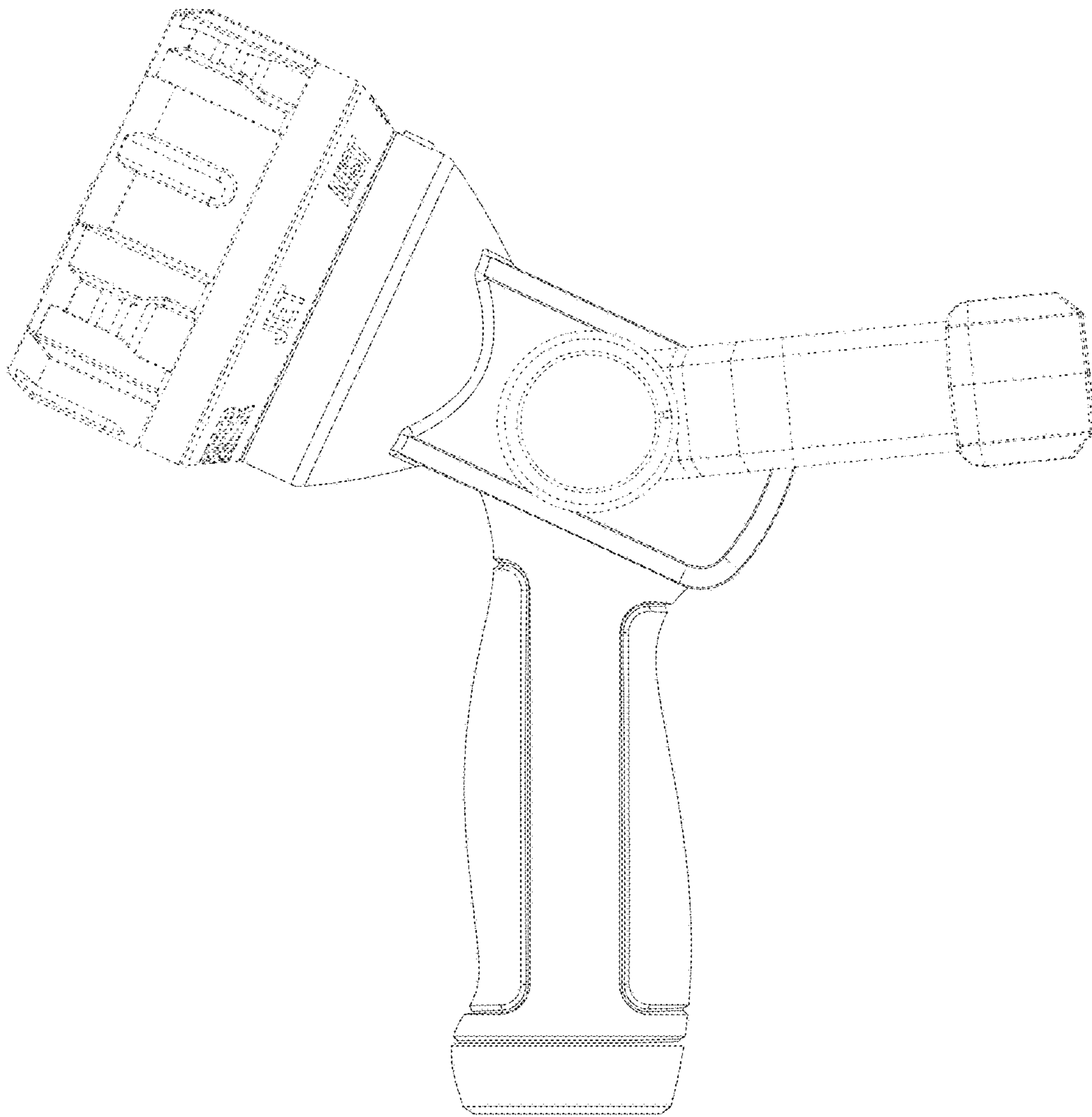


FIG. 2

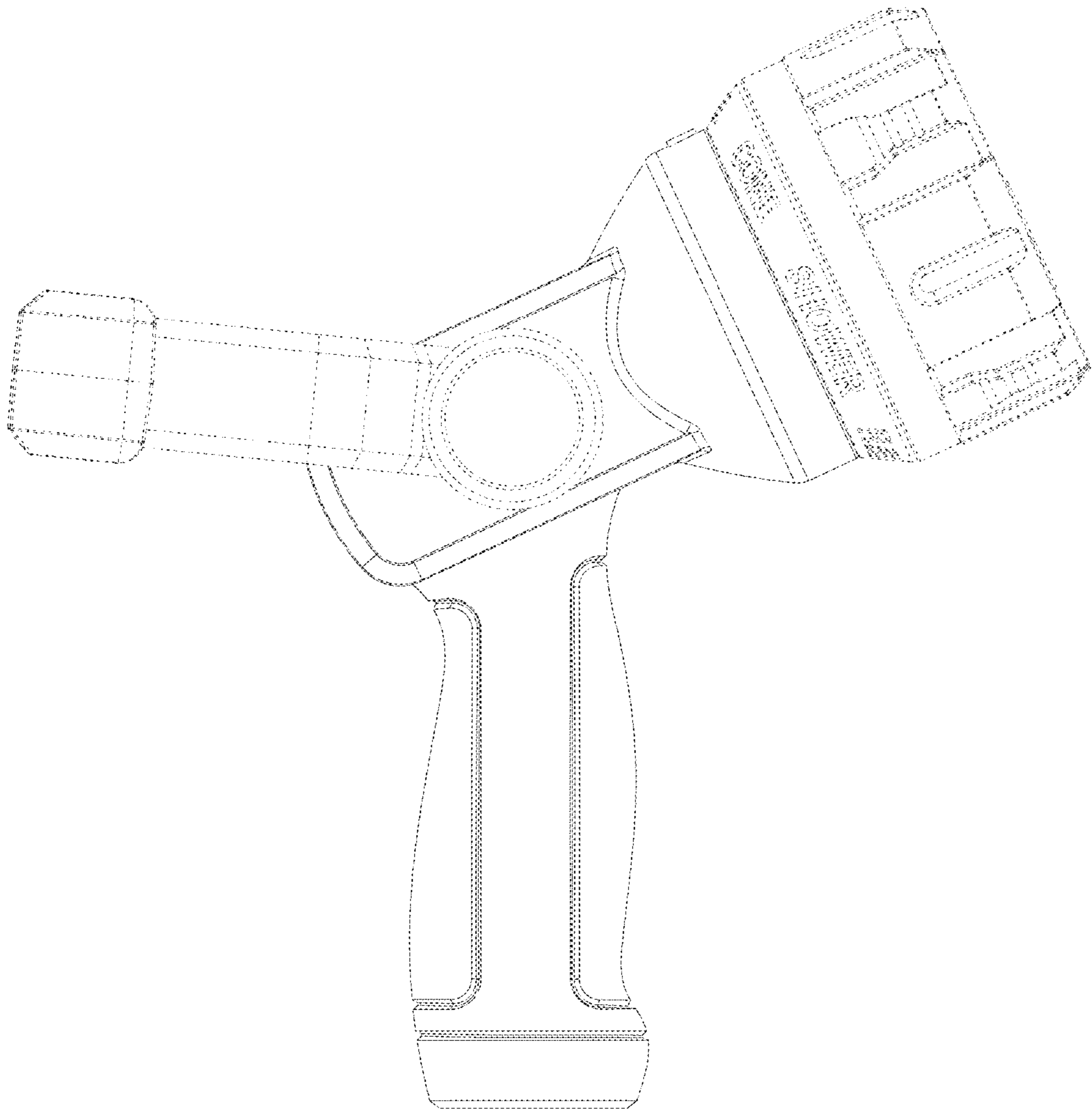


FIG.3

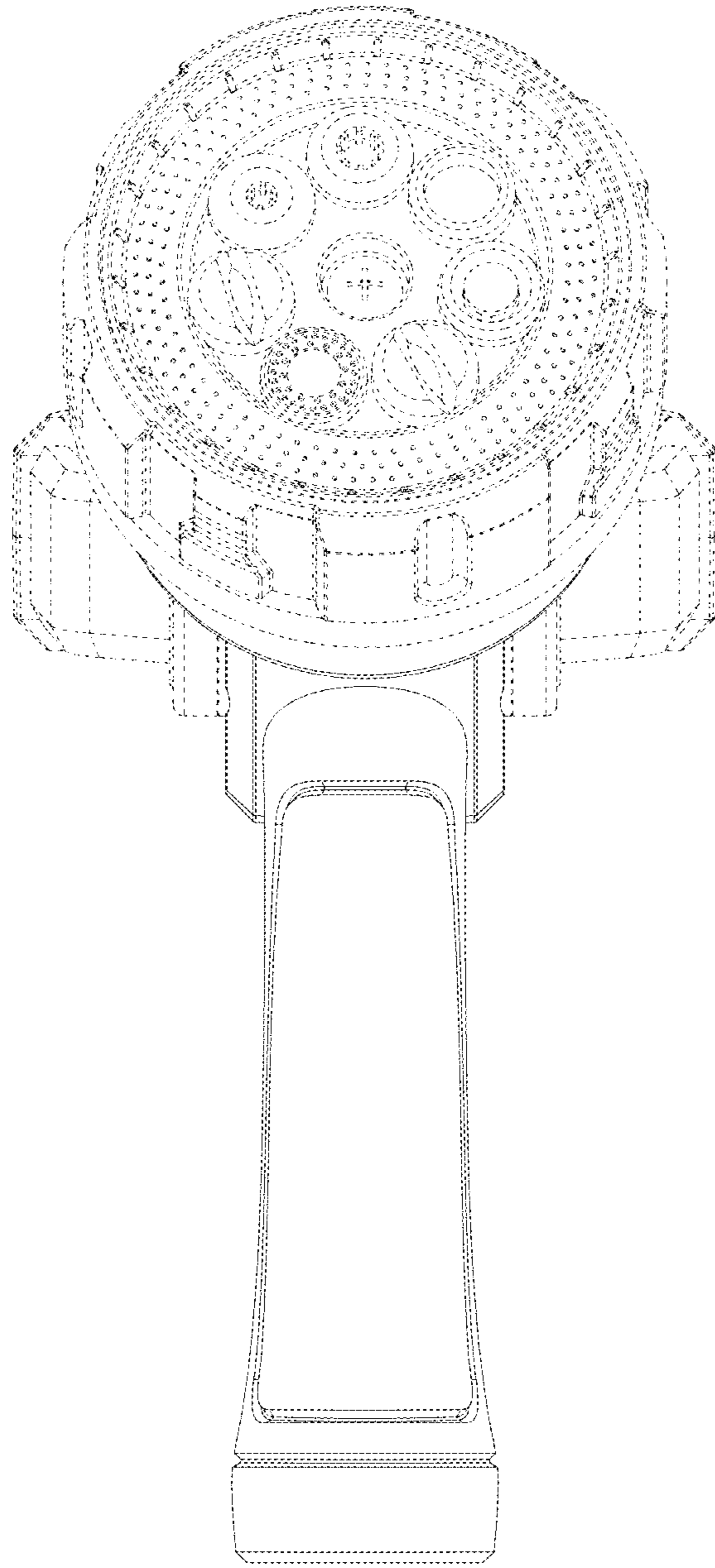


FIG.4

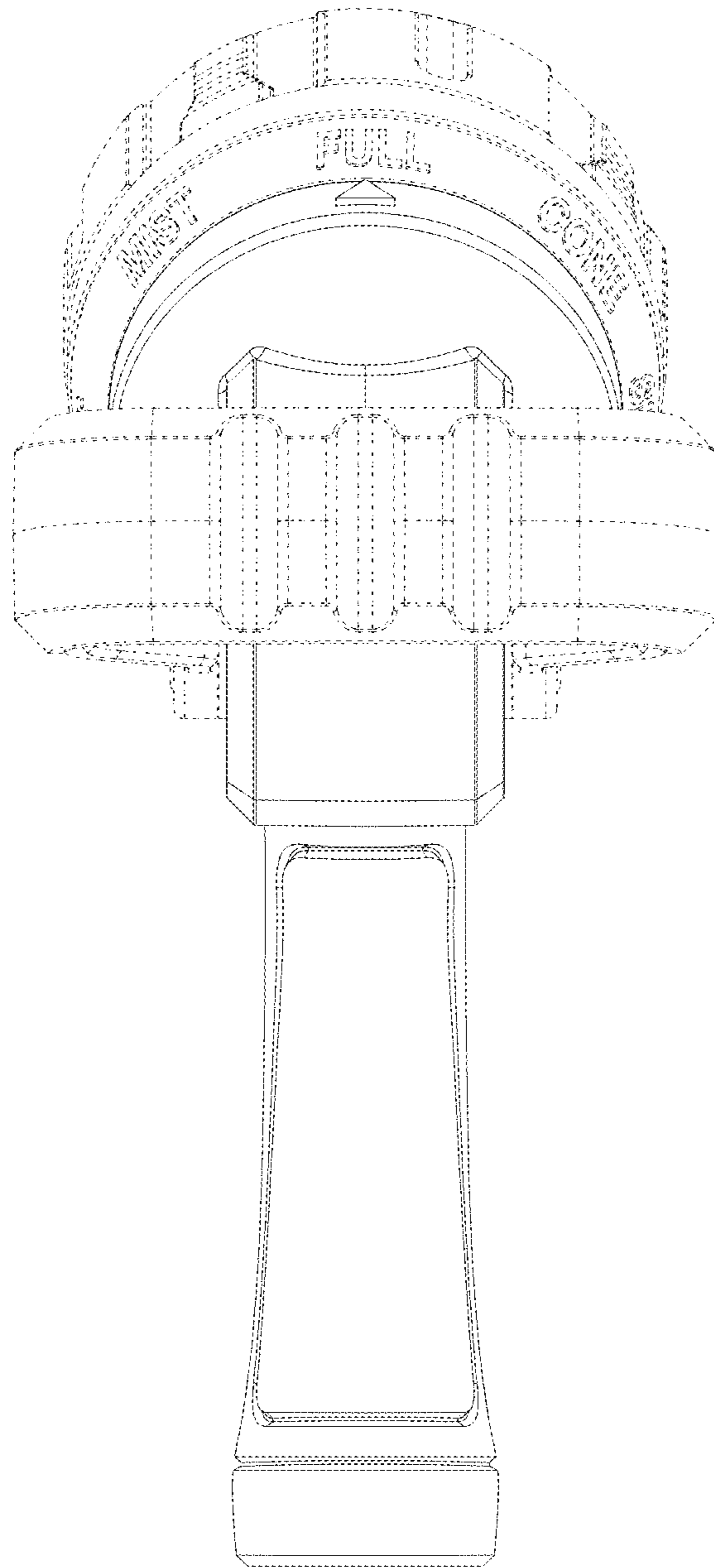


FIG.5

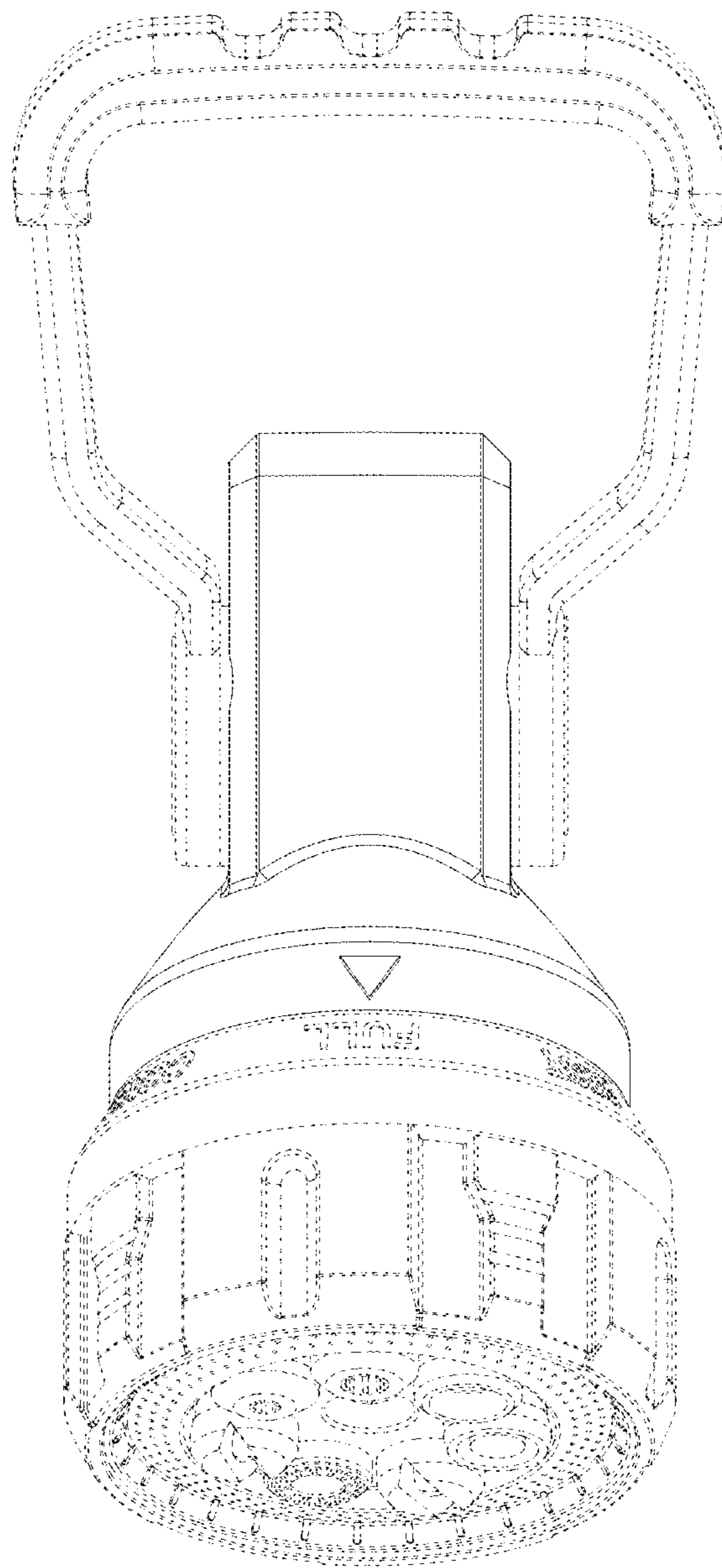


FIG.6

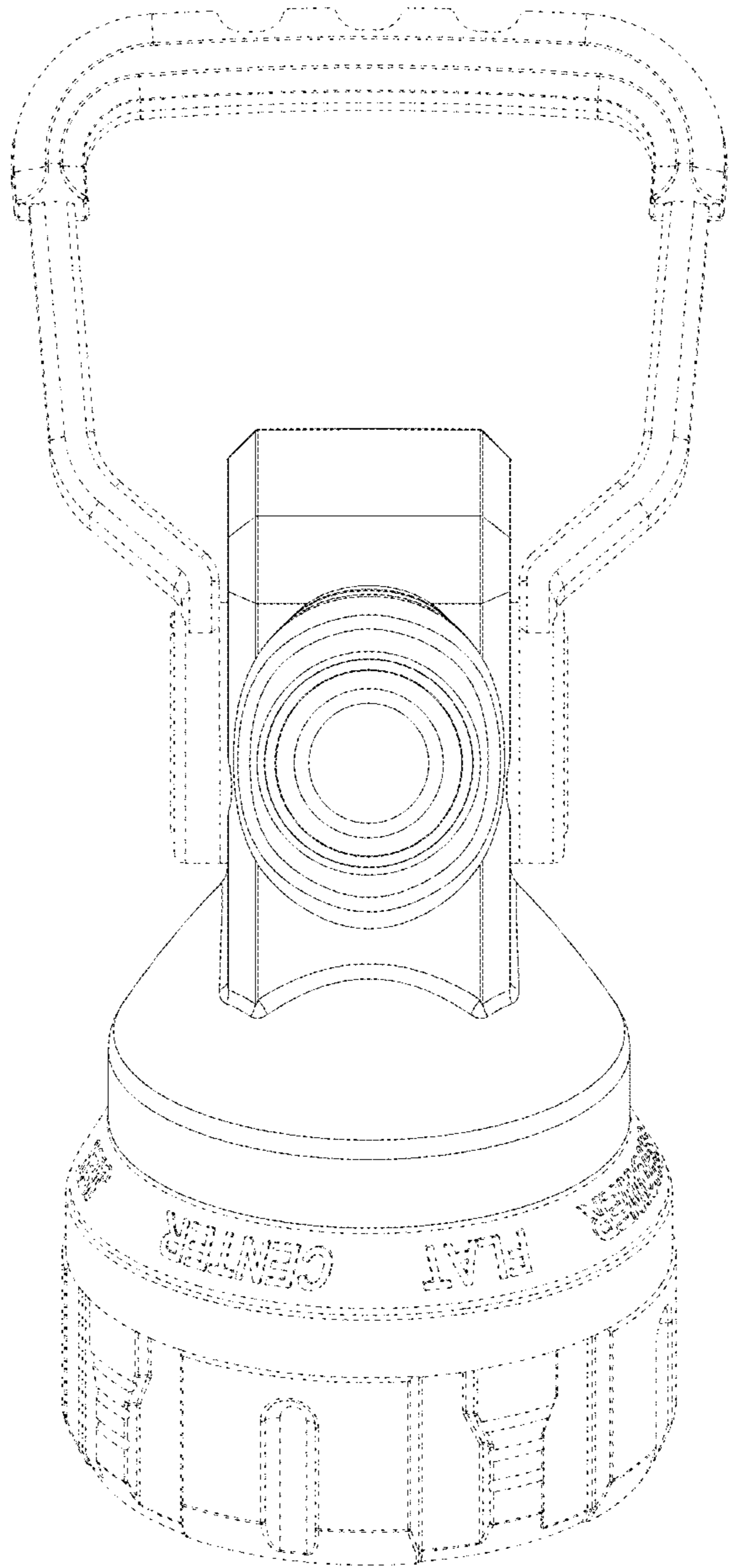


FIG. 7