



US00D851208S

(12) **United States Design Patent**
Birmelin

(10) **Patent No.:** **US D851,208 S**

(45) **Date of Patent:** **** Jun. 11, 2019**

(54) **FAUCET STREAM STRAIGHTENER**

(71) Applicant: **NEOPERL GMBH**, Müllheim (DE)

(72) Inventor: **David Birmelin**, Müllheim (DE)

(73) Assignee: **Neoperl GmbH**, Müllheim (DE)

(**) Term: **15 Years**

(21) Appl. No.: **35/503,851**

(22) Filed: **Sep. 25, 2017**

(80) **Hague Agreement Data**

Int. Filing Date: **Sep. 25, 2017**

Int. Reg. No.: **DM/097944**

Int. Reg. Date: **Sep. 25, 2017**

Int. Reg. Pub. Date: **Oct. 20, 2017**

(51) **LOC (11) Cl.** **23-01**

(52) **U.S. Cl.**
USPC **D23/213**

(58) **Field of Classification Search**
USPC D23/213, 229, 233, 235, 247-249, 264
CPC B05B 7/0425; E03C 1/08; E03C 1/084;
E03C 1/086; E03C 2001/026
See application file for complete search history.

(56) **References Cited**

U.S. PATENT DOCUMENTS

D609,785 S * 2/2010 Grether D23/249
D682,986 S * 5/2013 Grether D23/213

D684,241 S * 6/2013 Tempel D23/213
D691,238 S * 10/2013 Grether D23/213
D733,255 S * 6/2015 Blum D23/213
D752,710 S * 3/2016 Tempel D23/213
D753,792 S * 4/2016 Blum D23/213
D776,242 S * 1/2017 Blum D23/213
D788,264 S * 5/2017 Stein D23/213

* cited by examiner

Primary Examiner — Keli L Hill

(74) *Attorney, Agent, or Firm* — Volpe and Koenig, P.C.

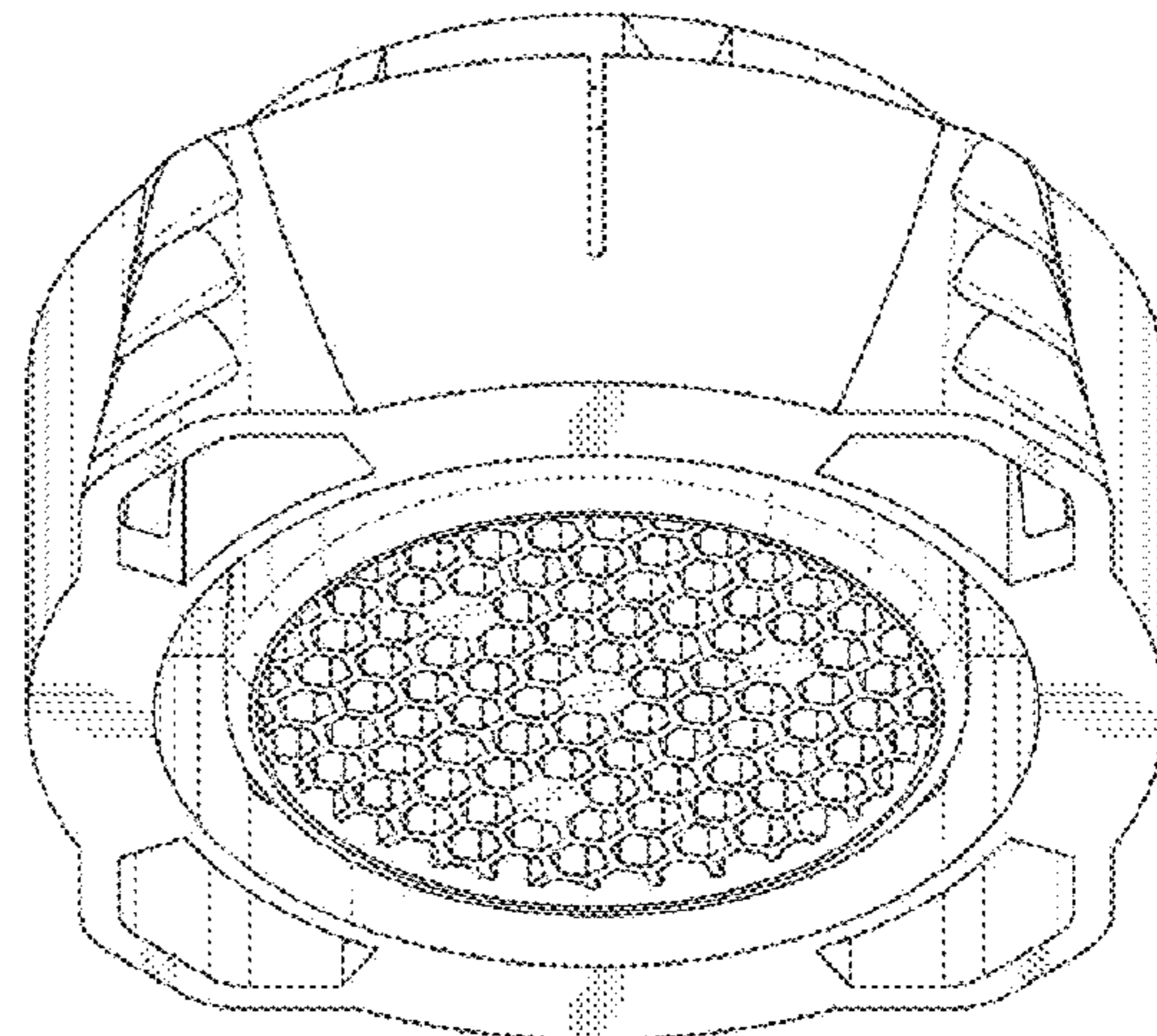
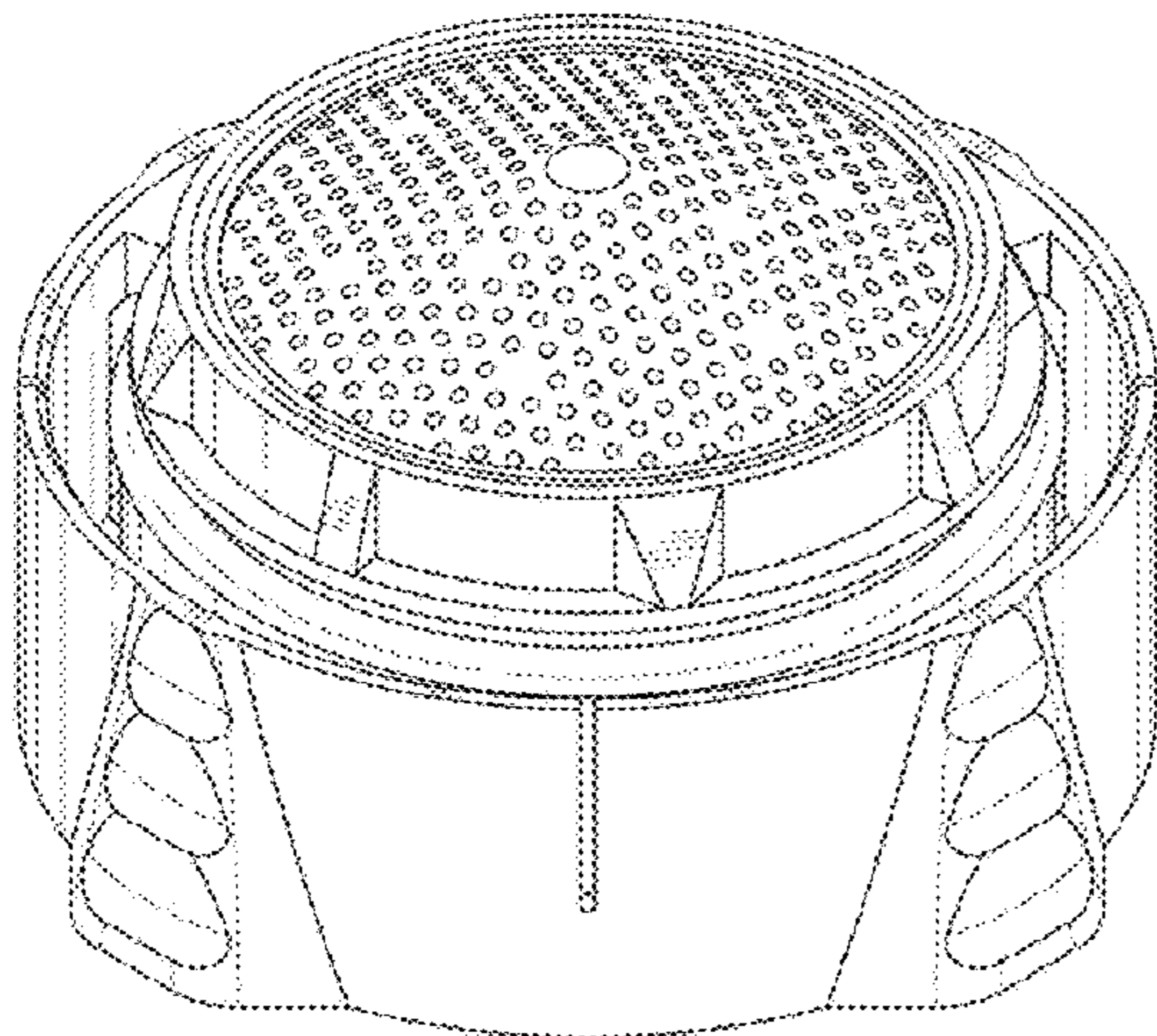
(57) **CLAIM**

The ornamental design for faucet stream straightener, as shown and described.

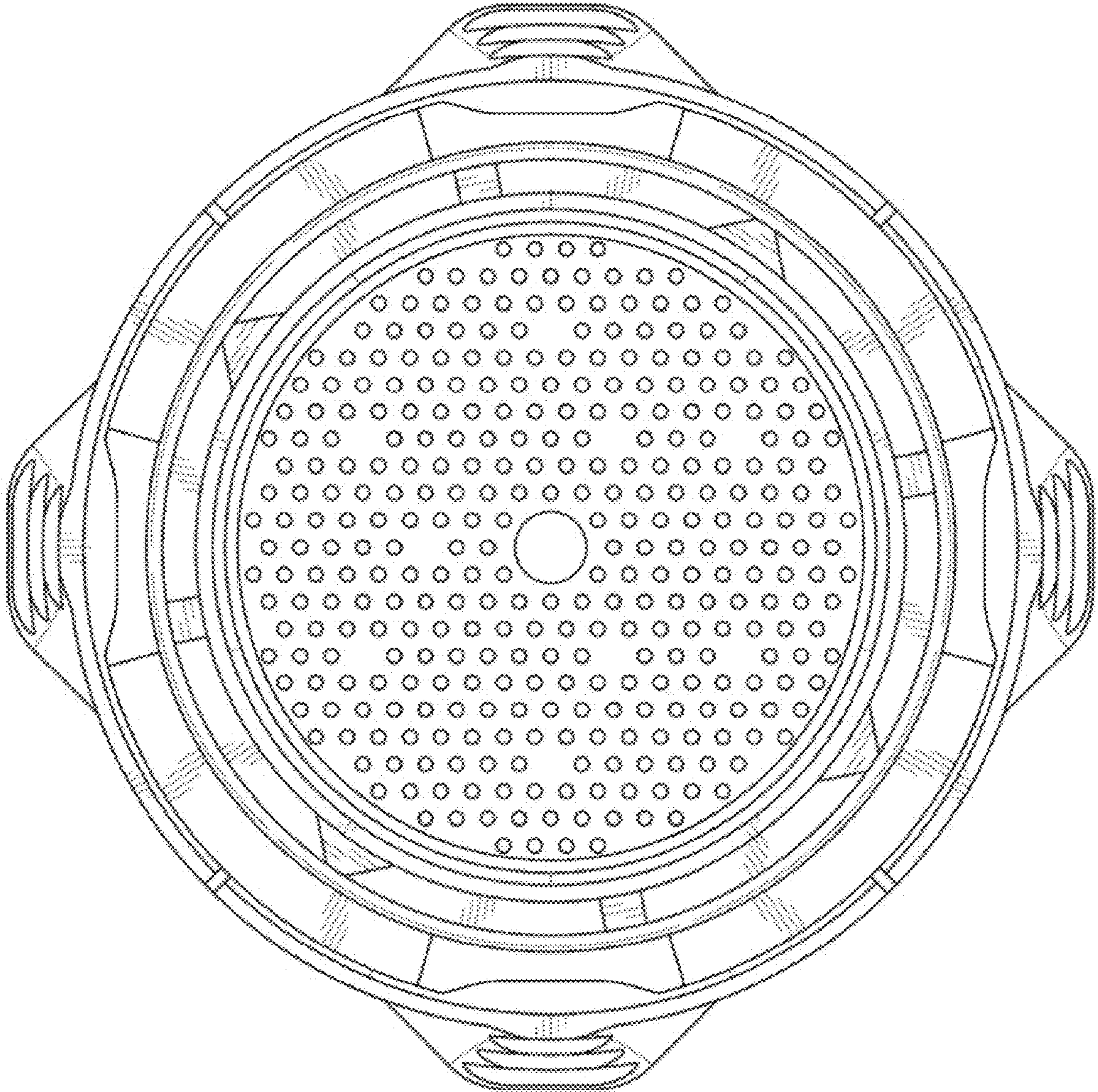
DESCRIPTION

- 1. Faucet stream straightener
- 1.1 : Top
- 1.2 : Perspective
- 1.3 : Bottom
- 1.4 : Perspective
- 1.5 : Front
- 1.6 : Back
- 1.7 : Left
- 1.8 : Right

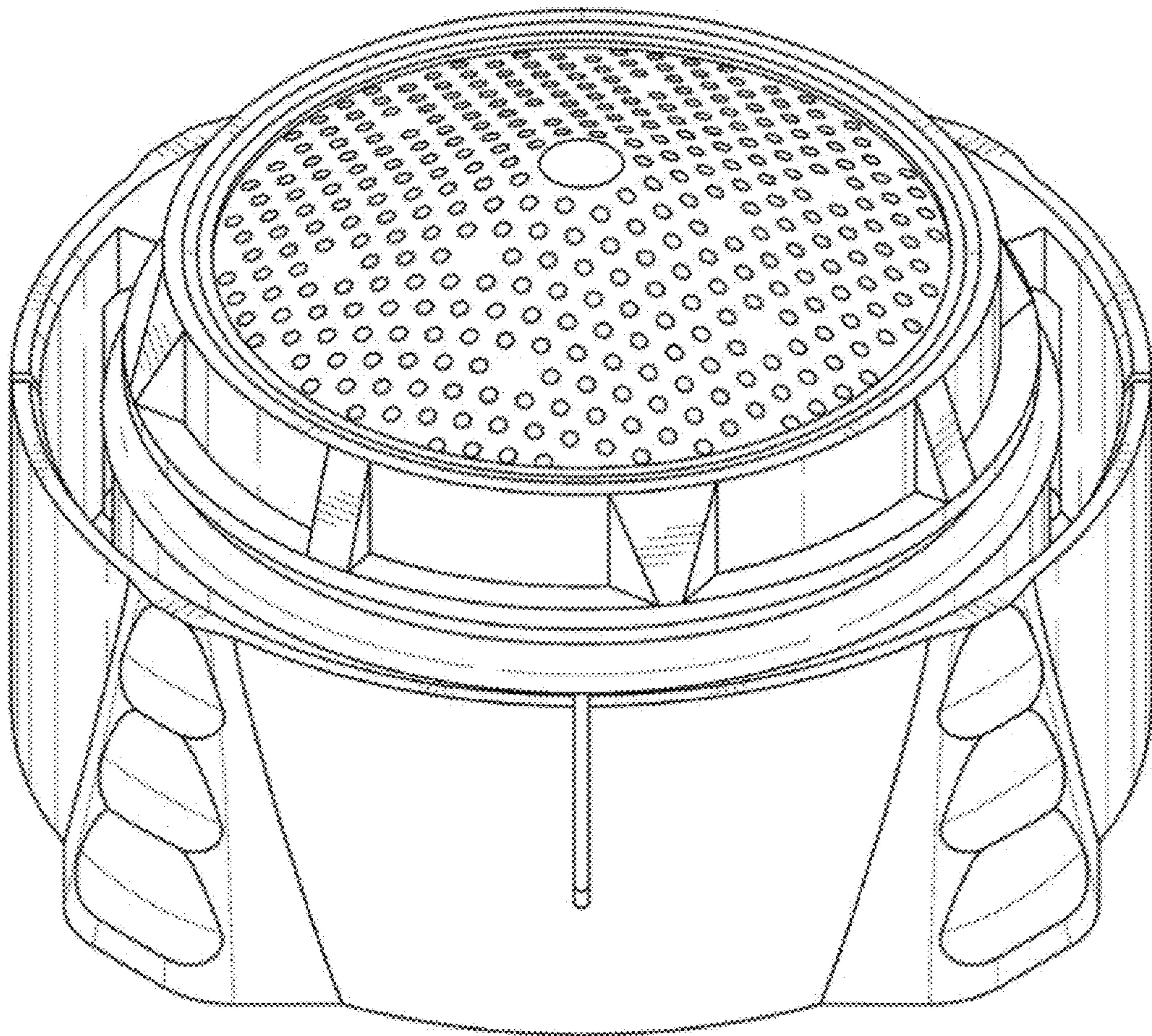
1 Claim, 8 Drawing Sheets



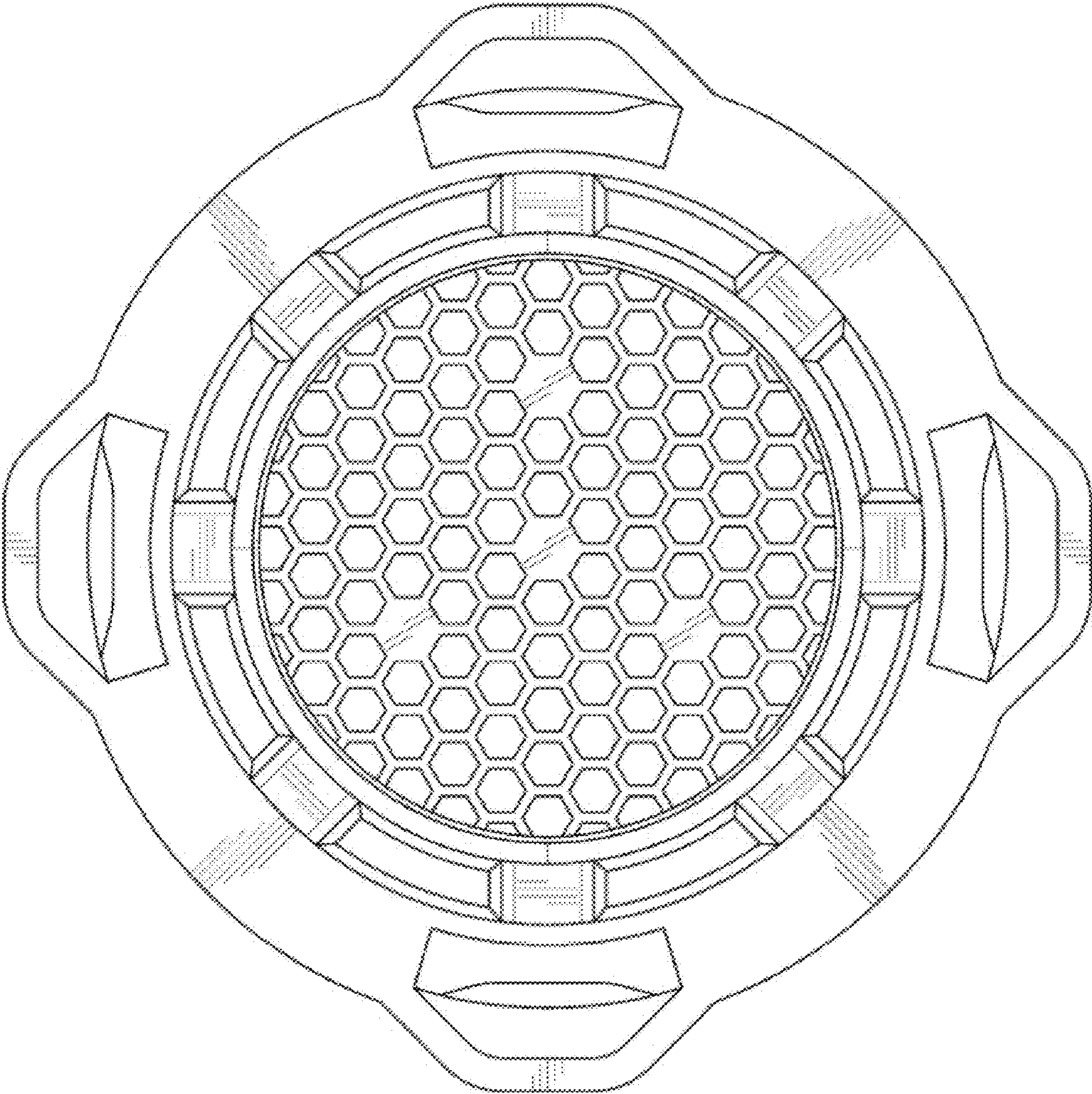
1.1



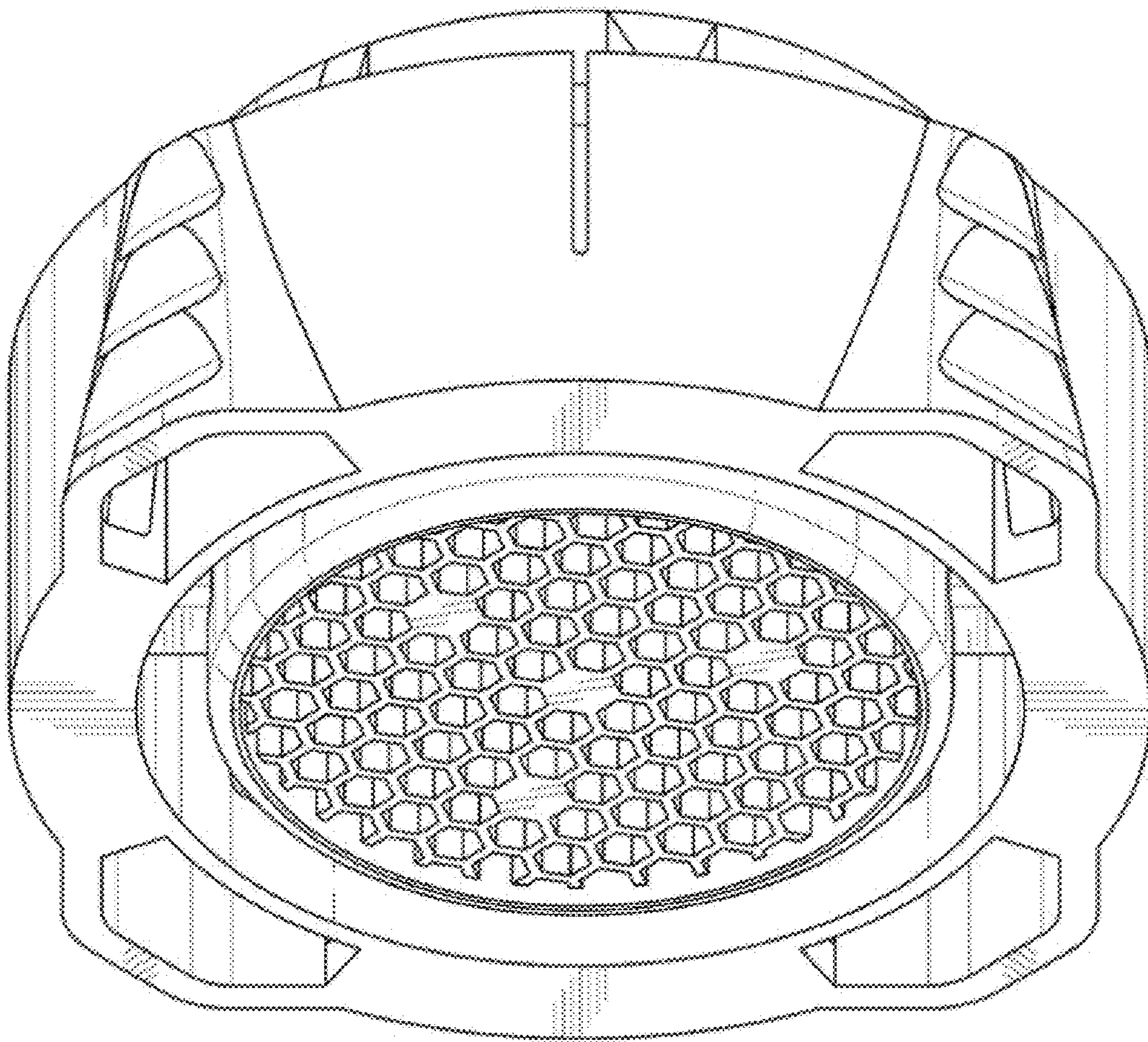
1.2



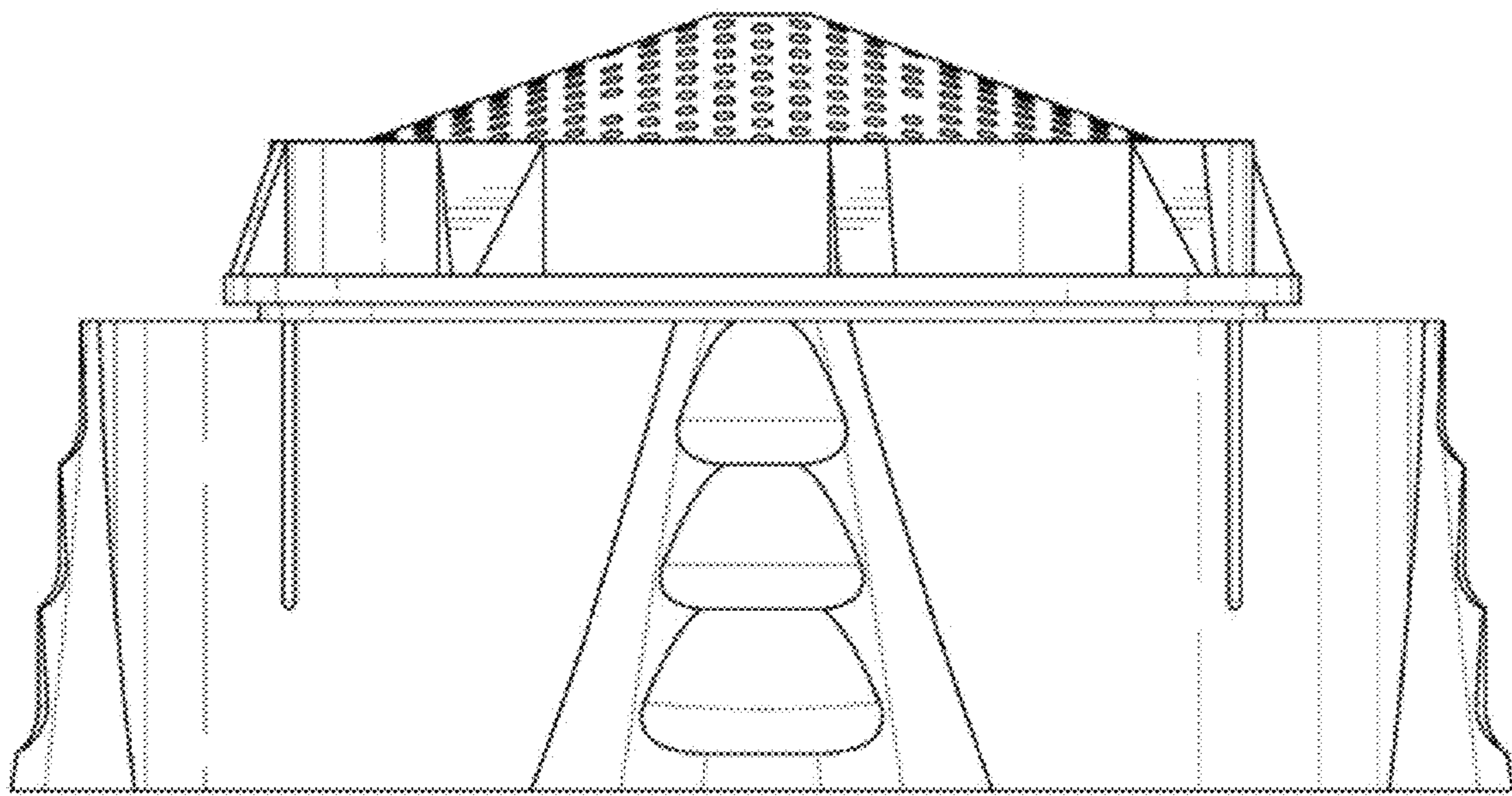
1.3



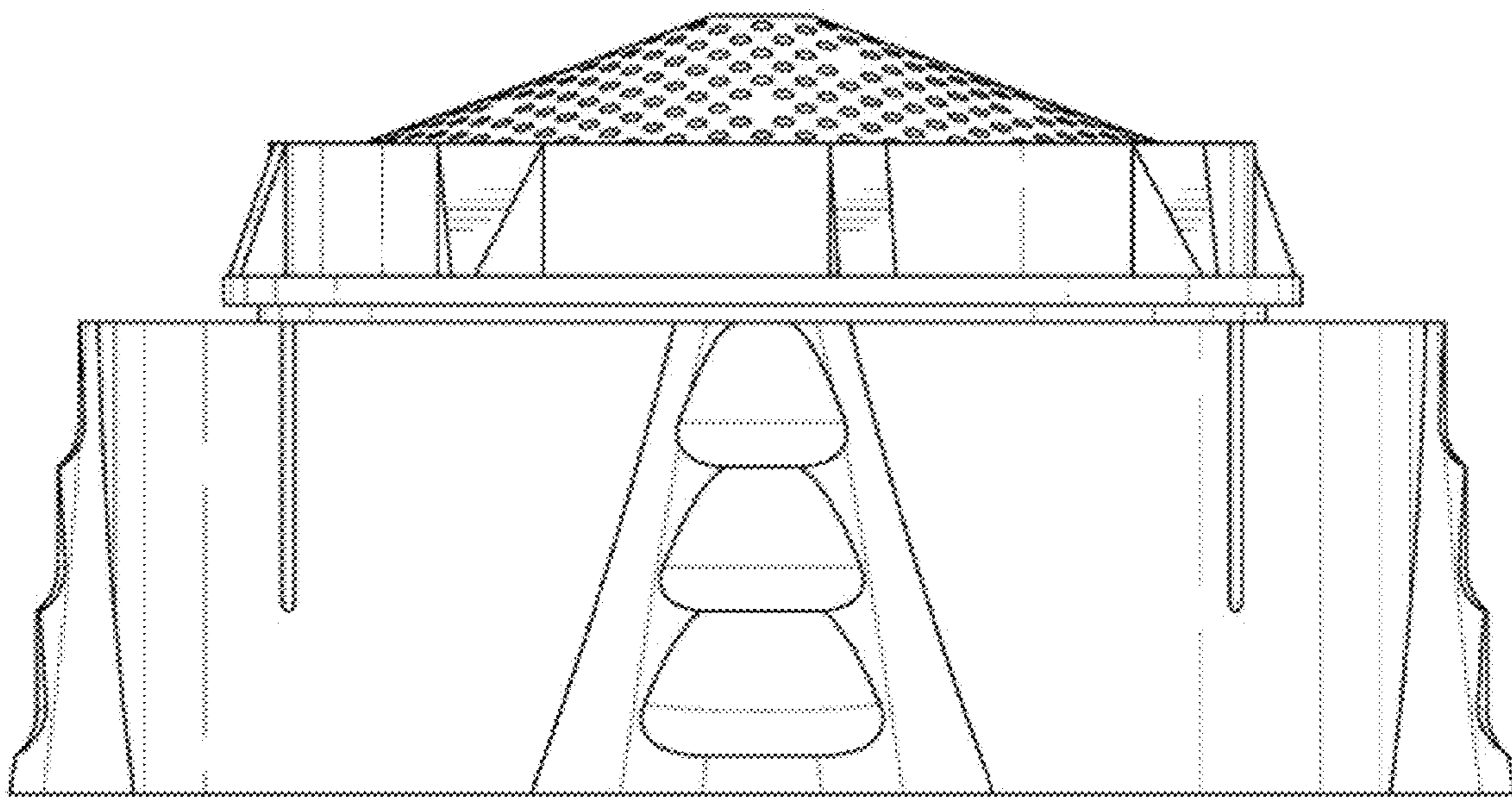
1.4



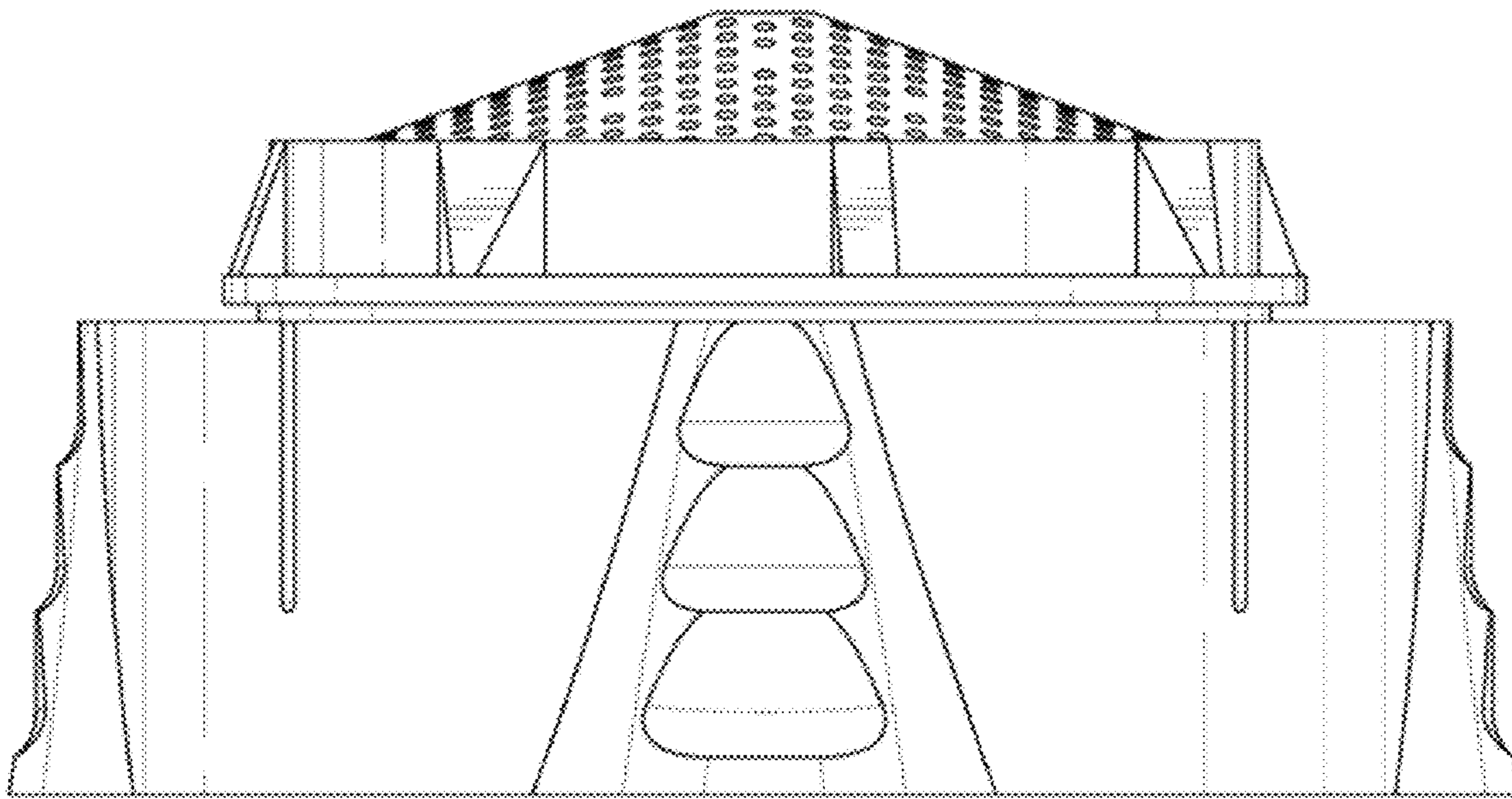
1.5



1.6



1.7



1.8

