



US00D851207S

(12) **United States Design Patent**
Cocks et al.

(10) **Patent No.:** **US D851,207 S**
(45) **Date of Patent:** **** Jun. 11, 2019**

(54) **SHOWER ROSE**
(71) Applicant: **Phoenix Industries Pty Ltd,**
Bayswater, Victoria (AU)
(72) Inventors: **Andrew John Cocks,** Bayswater (AU);
Ban Hsi Liu, Bayswater (AU)
(73) Assignee: **Phoenix Industries Pty Ltd,**
Bayswater, Victoria (AU)
(**) Term: **15 Years**
(21) Appl. No.: **29/630,823**
(22) Filed: **Dec. 22, 2017**
(30) **Foreign Application Priority Data**

Jun. 28, 2017 (AU) 201713948

(51) **LOC (11) Cl.** **23-01**
(52) **U.S. Cl.**
USPC **D23/213**
(58) **Field of Classification Search**
USPC D23/213, 223, 226, 228, 229, 230
CPC .. B05B 1/00; B05B 1/02; B05B 1/005; B05B
1/14; B05B 1/18; B05B 1/185
See application file for complete search history.

(56) **References Cited**

U.S. PATENT DOCUMENTS

D562,937 S * 2/2008 Schonherr D23/213
D566,228 S * 4/2008 Neagoe D23/213
D590,917 S 4/2009 Schoenherr
D613,370 S * 4/2010 Allard D23/213
D654,983 S 2/2012 Schoenherr
D655,386 S 3/2012 Schoenherr
D655,783 S 3/2012 Schoenherr
D659,794 S 5/2012 Flowers

D669,156 S 10/2012 Schoenherr
D694,357 S * 11/2013 Brodey D23/213
D694,359 S * 11/2013 Schoenherr D23/213
D694,361 S 11/2013 Schoenherr
D697,177 S 1/2014 Schoenherr
D707,328 S * 6/2014 Schoenherr D23/213
D713,004 S 9/2014 Schoenherr
D713,498 S 9/2014 Schoenherr
D714,421 S 9/2014 Flowers
8,991,432 B2 3/2015 Zhou
9,027,857 B2 5/2015 Kull
D733,258 S 6/2015 Sandee
9,046,261 B2 6/2015 Zhang
D736,348 S * 8/2015 Tan D23/213
D737,932 S 9/2015 Nikles
D749,694 S * 2/2016 Madsen D23/213
D751,175 S * 3/2016 Schoenherr D23/213
D751,176 S * 3/2016 Schoenherr D23/213
D778,402 S 2/2017 Schoenherr
D778,404 S 2/2017 Schoenherr
D820,388 S * 6/2018 Seum D23/213
D822,157 S * 7/2018 L'Henaff D23/213

* cited by examiner

Primary Examiner — Robin V Webster

(74) *Attorney, Agent, or Firm* — Womble Bond Dickinson (US) LLP

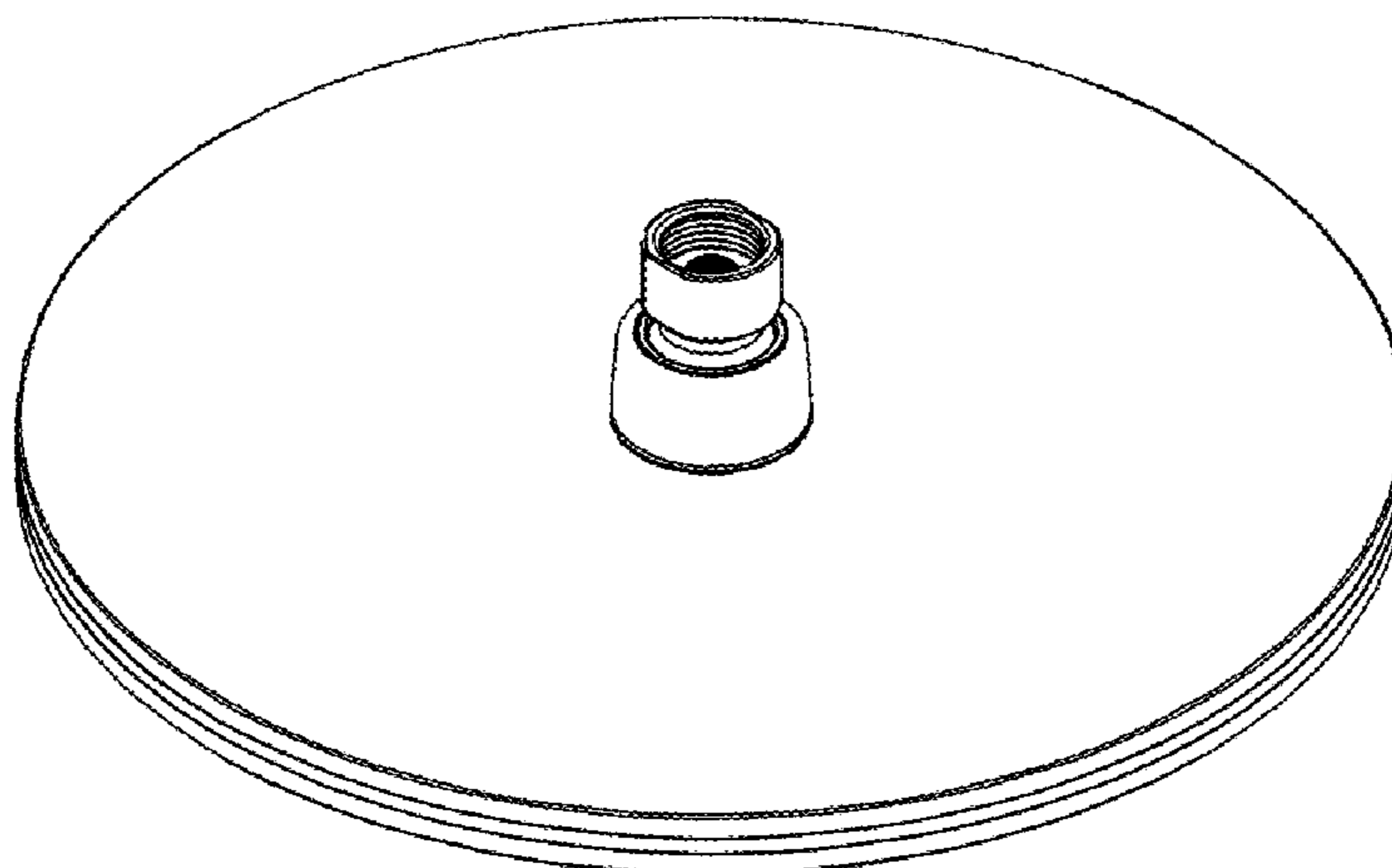
(57) **CLAIM**

We claim the ornamental design for a shower rose, as shown and described.

DESCRIPTION

FIG. 1 is a top perspective view of a shower rose incorporating our new design;
FIG. 2 is a bottom perspective view thereof;
FIG. 3 is a side view thereof;
FIG. 4 is a top view thereof; and,
FIG. 5 is a bottom view thereof.

1 Claim, 3 Drawing Sheets



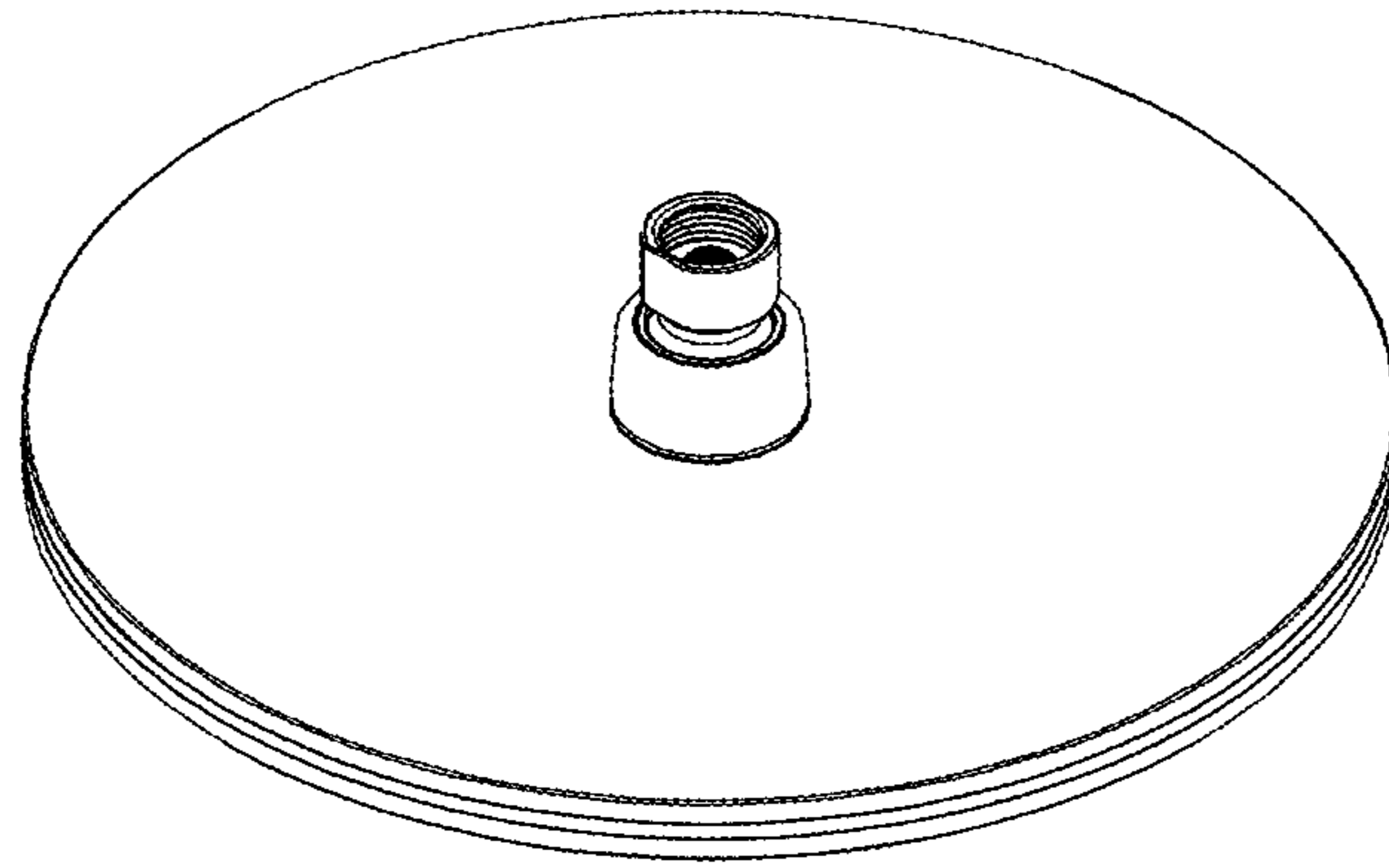


FIG 1

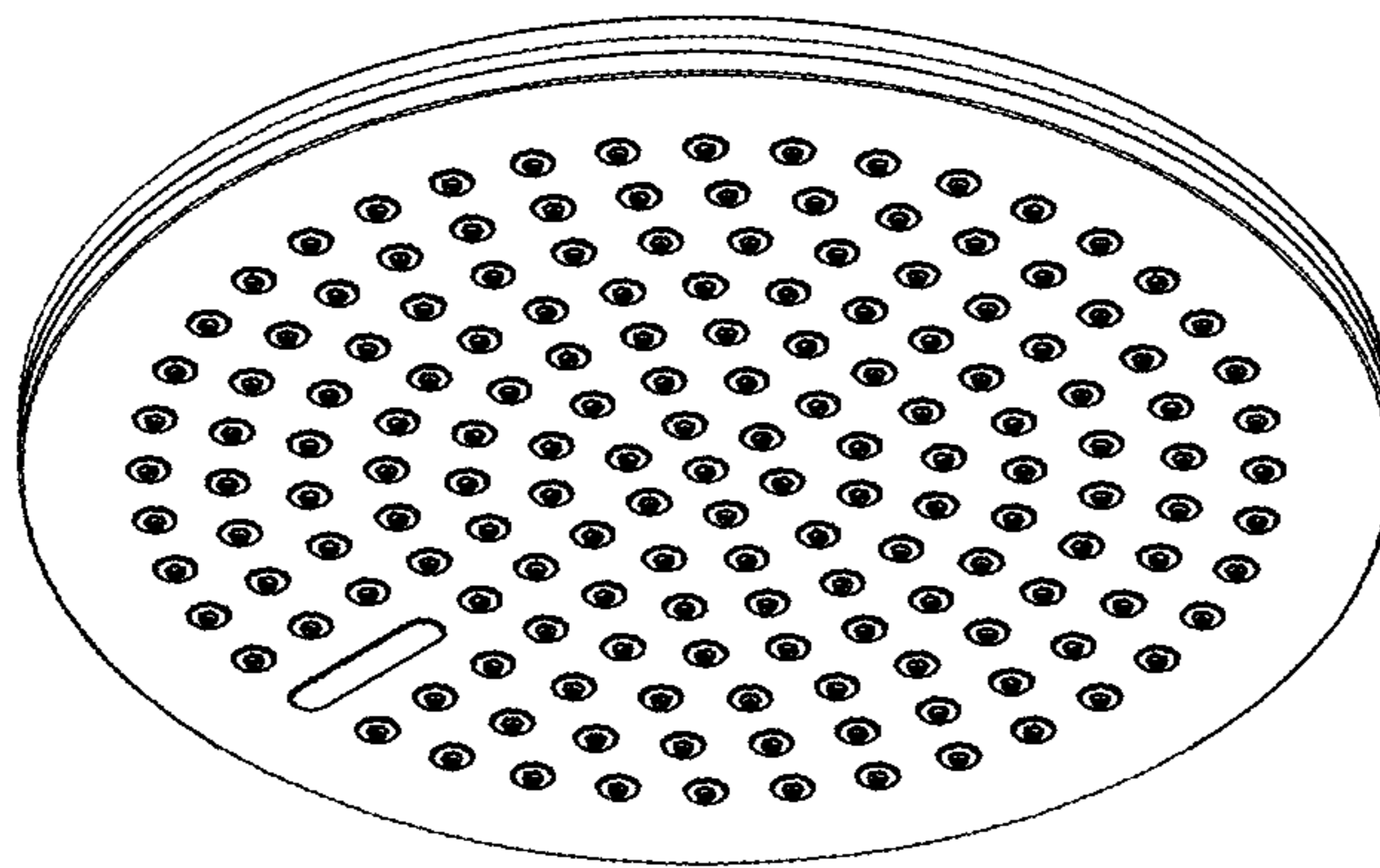


FIG 2

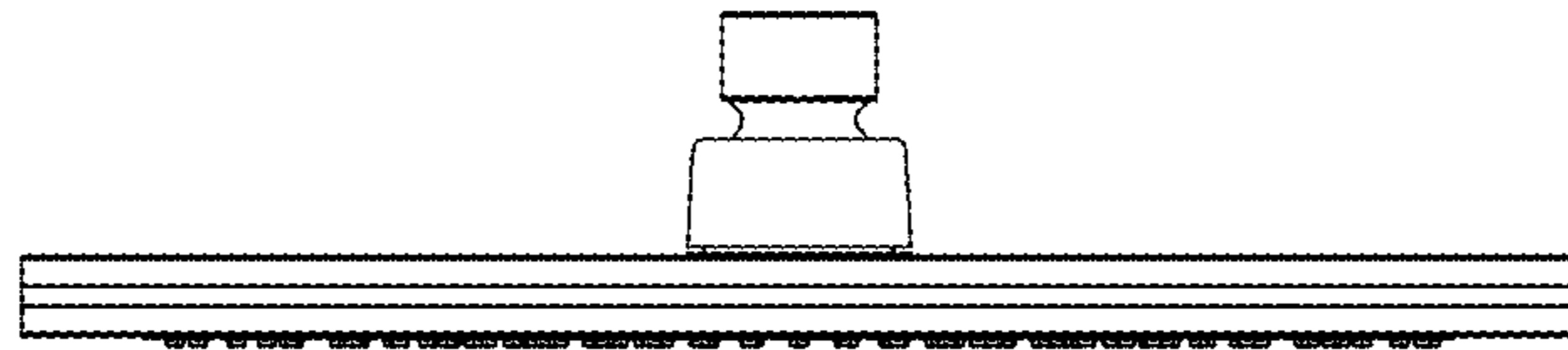


FIG 3

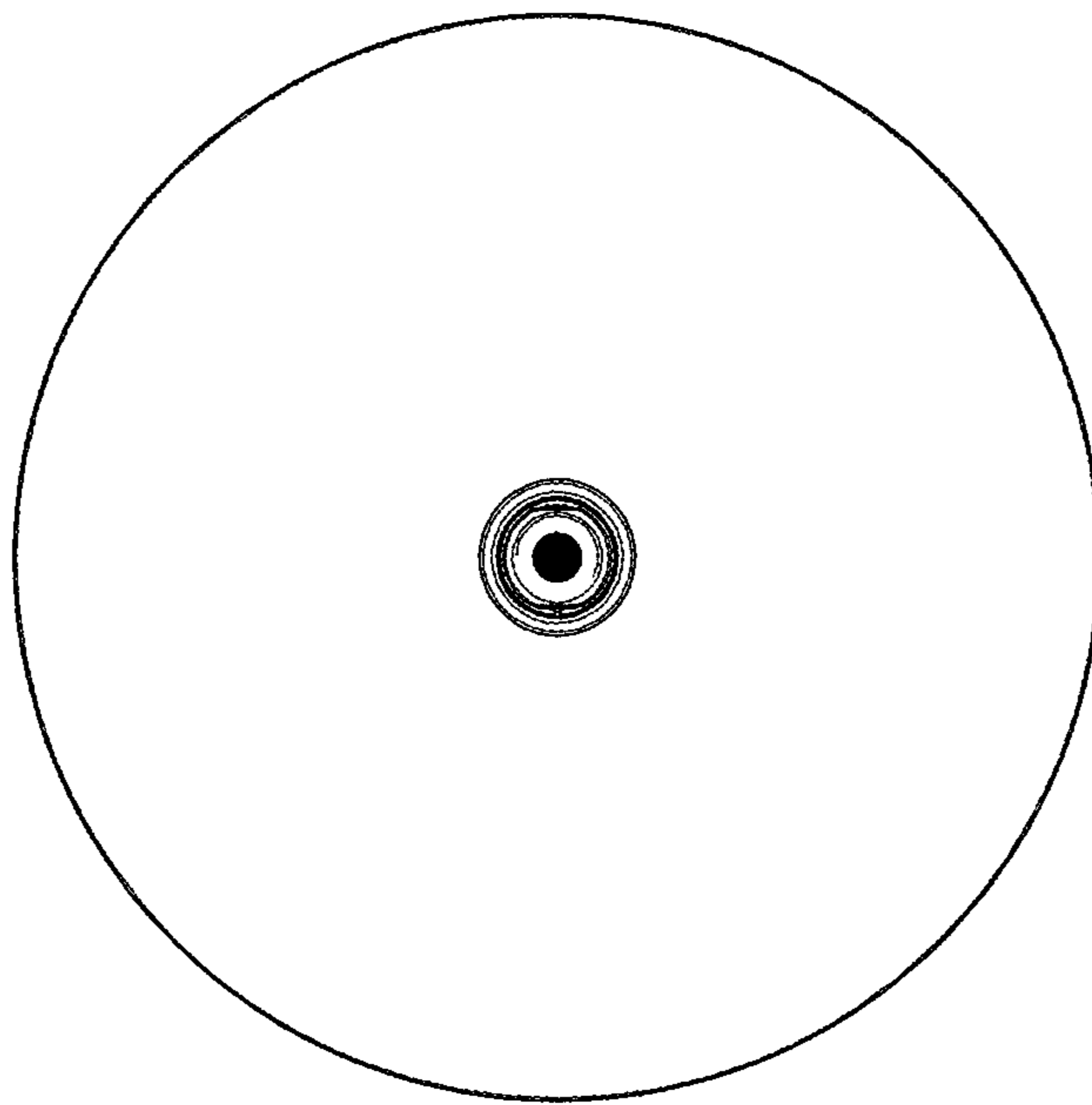


FIG 4

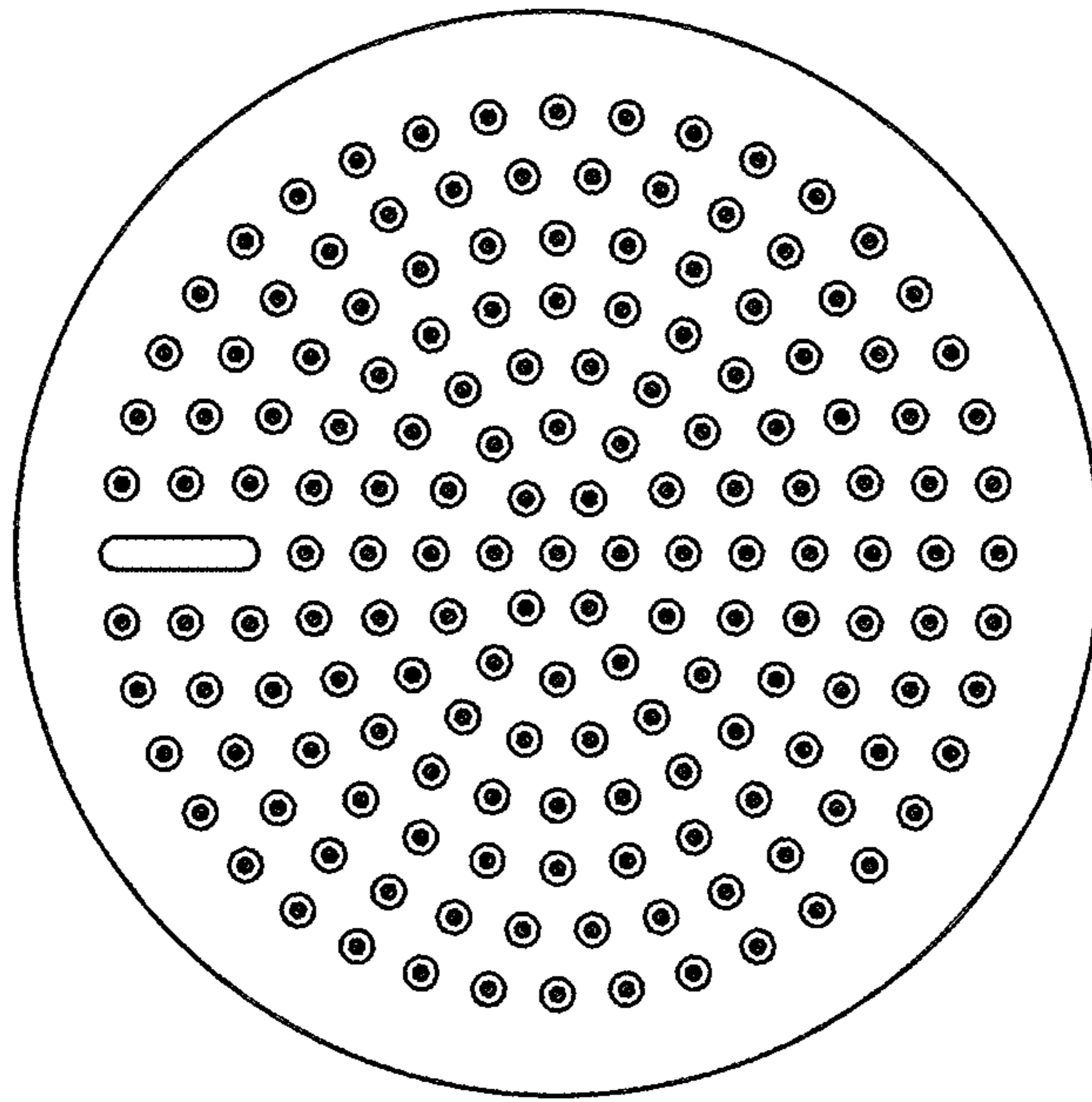


FIG 5