



US00D851204S

(12) **United States Design Patent** (10) **Patent No.:** **US D851,204 S**  
**Sinur et al.** (45) **Date of Patent:** **\*\* Jun. 11, 2019**

(54) **INSECT REPELLANT FIXTURE**

**DESCRIPTION**

(71) Applicant: **Broan-NuTone LLC**, Hartford, WI (US)  
(72) Inventors: **Richard R. Sinur**, West Bend, WI (US); **Ryan A. Revers**, Hartland, WI (US)  
(73) Assignee: **Broan-NuTone LLC**, Hartford, WI (US)  
(\*\*) Term: **15 Years**  
(21) Appl. No.: **29/640,370**  
(22) Filed: **Mar. 14, 2018**  
(51) **LOC (11) Cl.** ..... **22-06**  
(52) **U.S. Cl.**  
USPC ..... **D22/122**  
(58) **Field of Classification Search**  
USPC ..... D22/119–124; D23/366–369; 392/395;  
43/65–66, 112–114, 120–121, 131, 132.1  
(Continued)

(56) **References Cited**

**U.S. PATENT DOCUMENTS**

D354,690 S \* 1/1995 Butler ..... D22/119  
5,379,545 A \* 1/1995 Gall ..... A01M 29/12  
43/131

(Continued)

**OTHER PUBLICATIONS**

Total Landscape Care, NuTone Article by Bethy Hyatt May 30, 2017 (Year: 2017).\*

*Primary Examiner* — Catherine R Oliver-Garcia

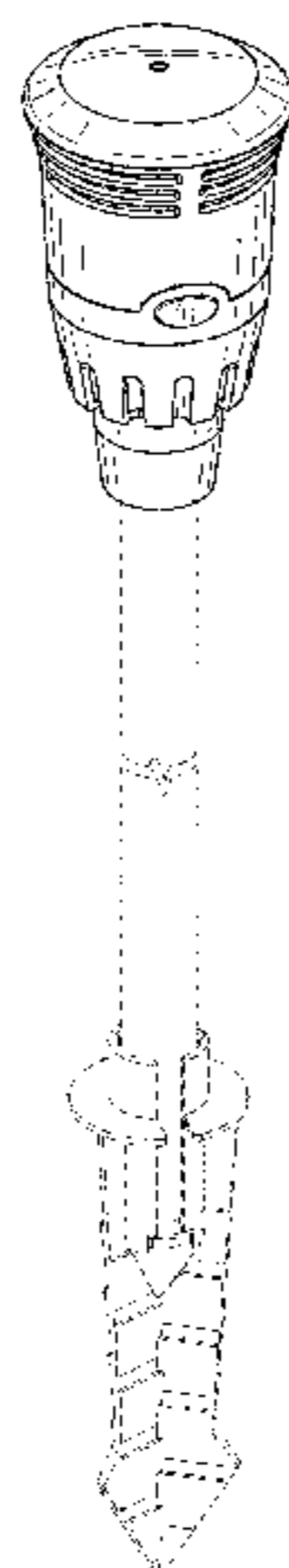
(74) *Attorney, Agent, or Firm* — Barnes and Thornburg LLP

(57) **CLAIM**

We claim the design for an insect repellent fixture, as shown and described.

FIG. 1 is a first perspective view of a first embodiment of an insect repellent fixture;  
FIG. 2 is a second perspective view of the insect repellent fixture of FIG. 1;  
FIG. 3 is a front view of the insect repellent fixture of FIG. 1;  
FIG. 4 is a left side view of the insect repellent fixture of FIG. 1;  
FIG. 5 is a rear view of the insect repellent fixture of FIG. 1;  
FIG. 6 is a right side view of the insect repellent fixture of FIG. 1;  
FIG. 7 is a top view of the insect repellent fixture of FIG. 1;  
FIG. 8 is a bottom view of the insect repellent fixture of FIG. 1;  
FIG. 9 is a first perspective view of a second embodiment of an insect repellent fixture;  
FIG. 10 is a second perspective view of the insect repellent fixture of FIG. 9;  
FIG. 11 is a front view of the insect repellent fixture of FIG. 9;  
FIG. 12 is a left side view of the insect repellent fixture of FIG. 9;  
FIG. 13 is a rear view of the insect repellent fixture of FIG. 9;  
FIG. 14 is a right side view of the insect repellent fixture of FIG. 9;  
FIG. 15 is a top view of the insect repellent fixture of FIG. 9; and,  
FIG. 16 is a bottom view of the insect repellent fixture of FIG. 9.  
Features shown in broken lines in the drawings depict environmental subject matter only and are not part of the claimed design.

**1 Claim, 10 Drawing Sheets**



(58) **Field of Classification Search**

CPC ..... A01M 1/04; A01M 1/22; A01M 1/2005;  
A01M 1/2001; A01M 1/2016; A01M  
1/223; A01M 29/12; A01M 25/002;  
A01M 25/004; A01M 2200/011; A01M  
2200/012; F16M 13/02; E04B 1/17

See application file for complete search history.

(56) **References Cited**

U.S. PATENT DOCUMENTS

5,746,021 A \* 5/1998 Green ..... A01M 1/2005  
43/132.1  
D467,635 S \* 12/2002 Andrews ..... D22/122  
D495,773 S \* 9/2004 Duston ..... D22/122  
D645,114 S \* 9/2011 Krause ..... D22/120  
D654,141 S \* 2/2012 Wilbanks ..... D22/123  
D724,172 S \* 3/2015 Kuhnke ..... D22/120  
D819,773 S \* 6/2018 Rocha ..... D22/122

\* cited by examiner

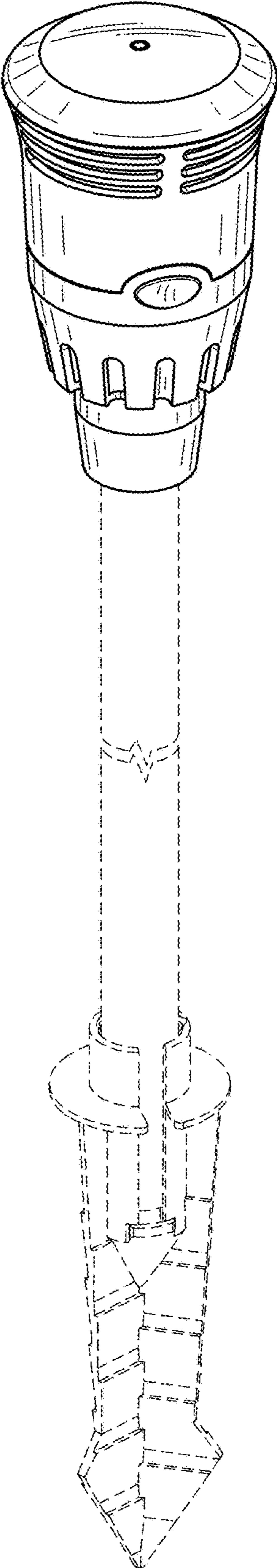


FIG. 1

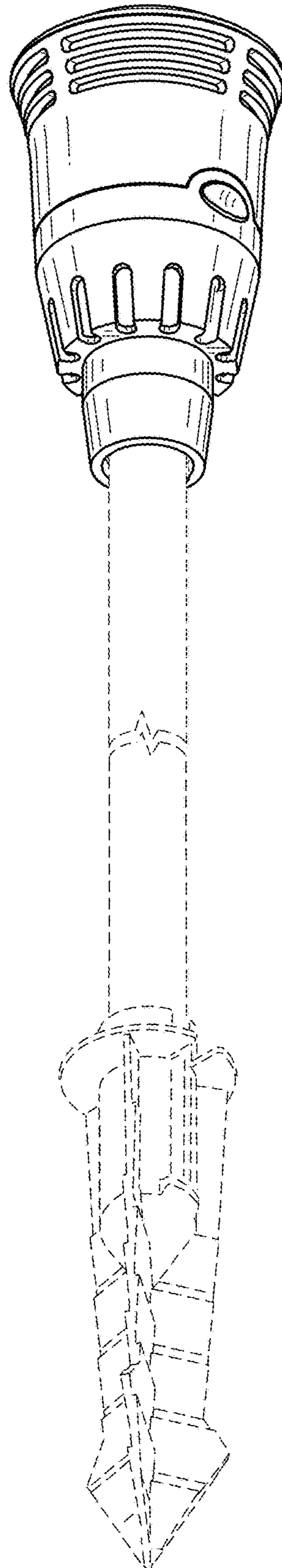


FIG. 2

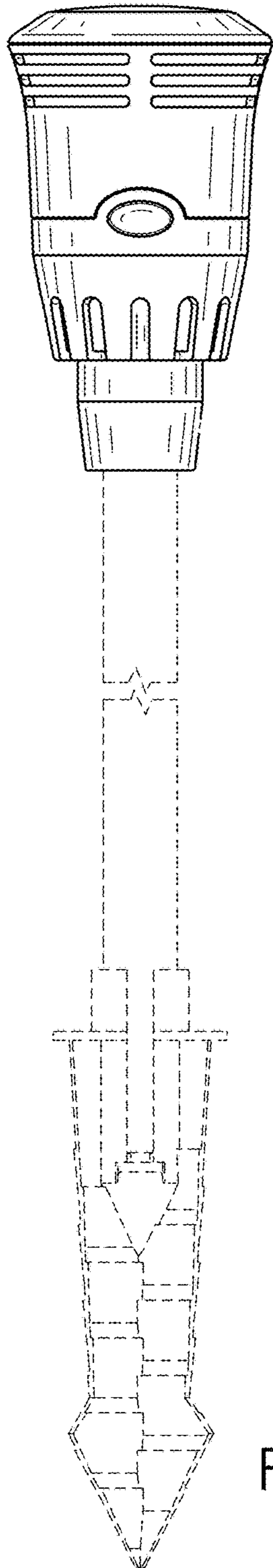


FIG. 3

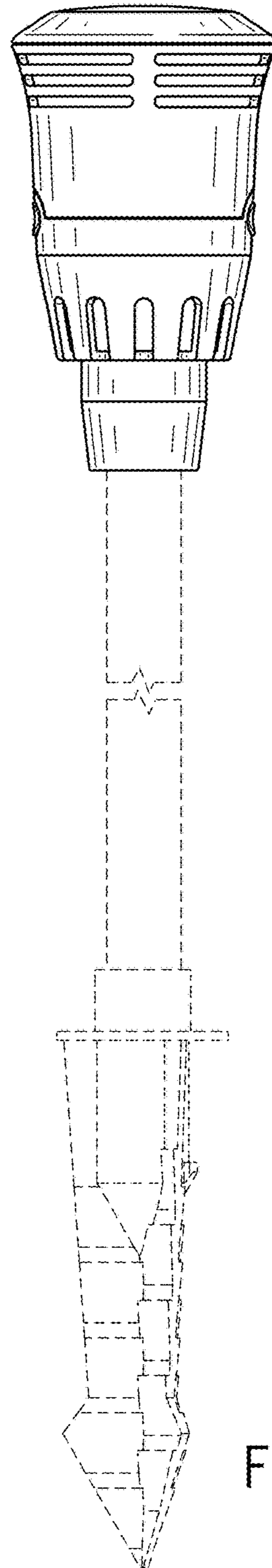


FIG. 4

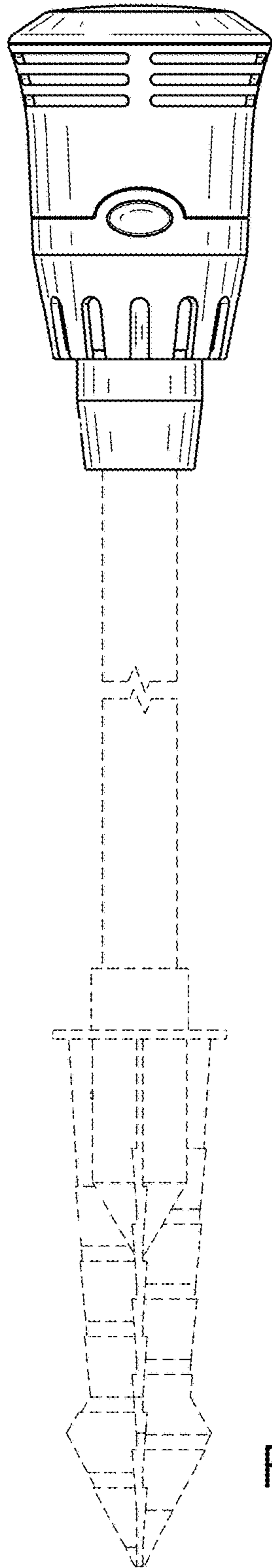


FIG. 5

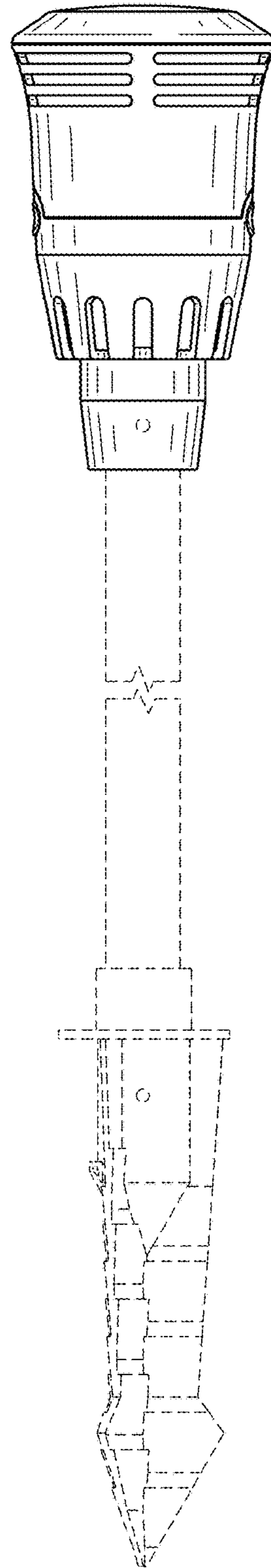


FIG. 6

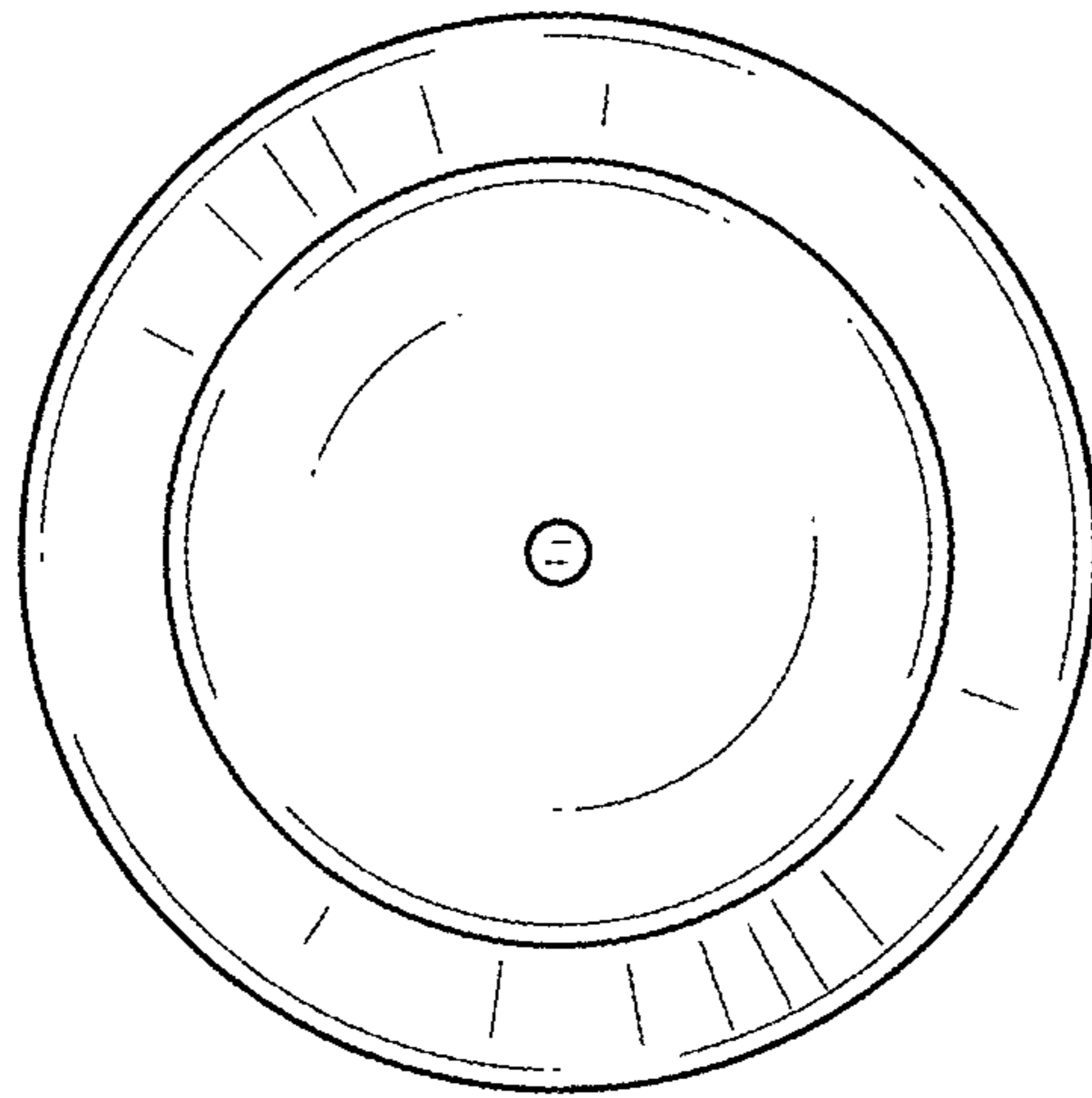


FIG. 7

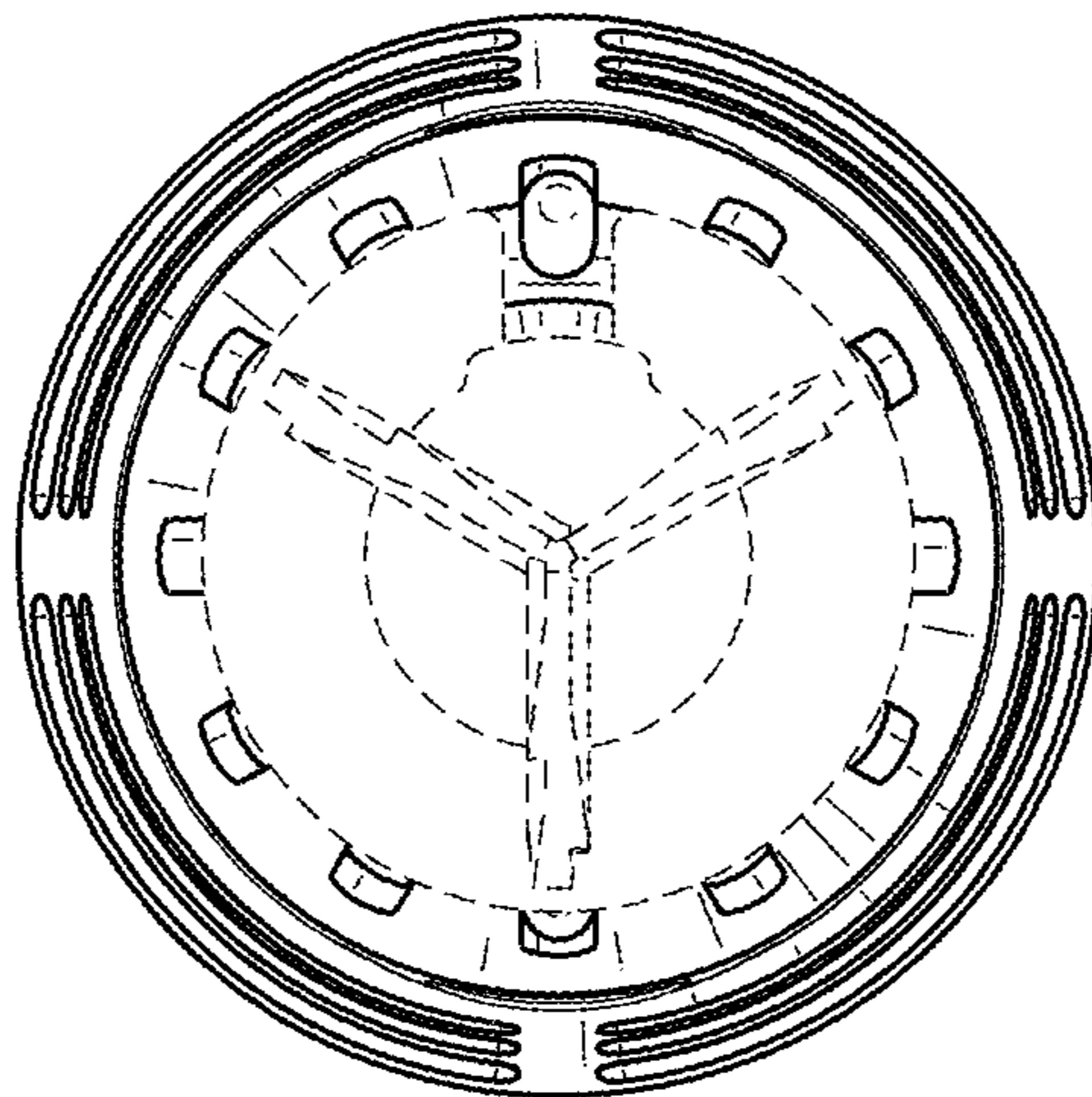


FIG. 8

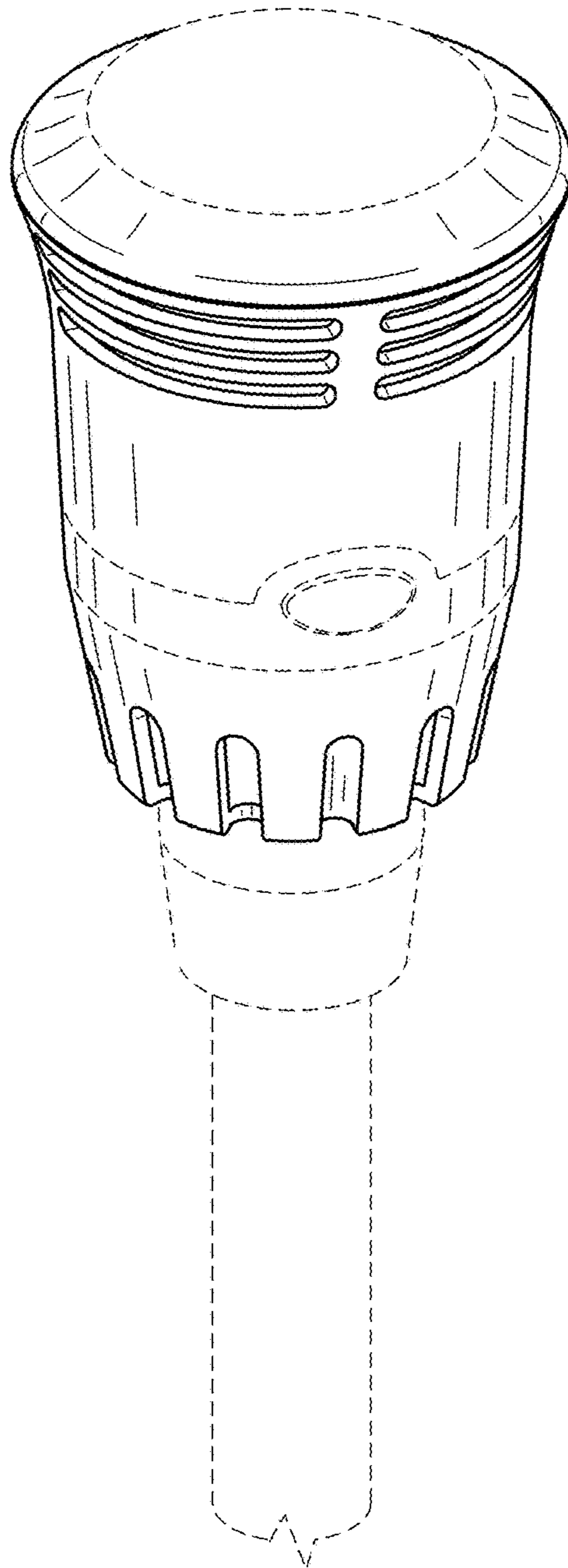


FIG. 9



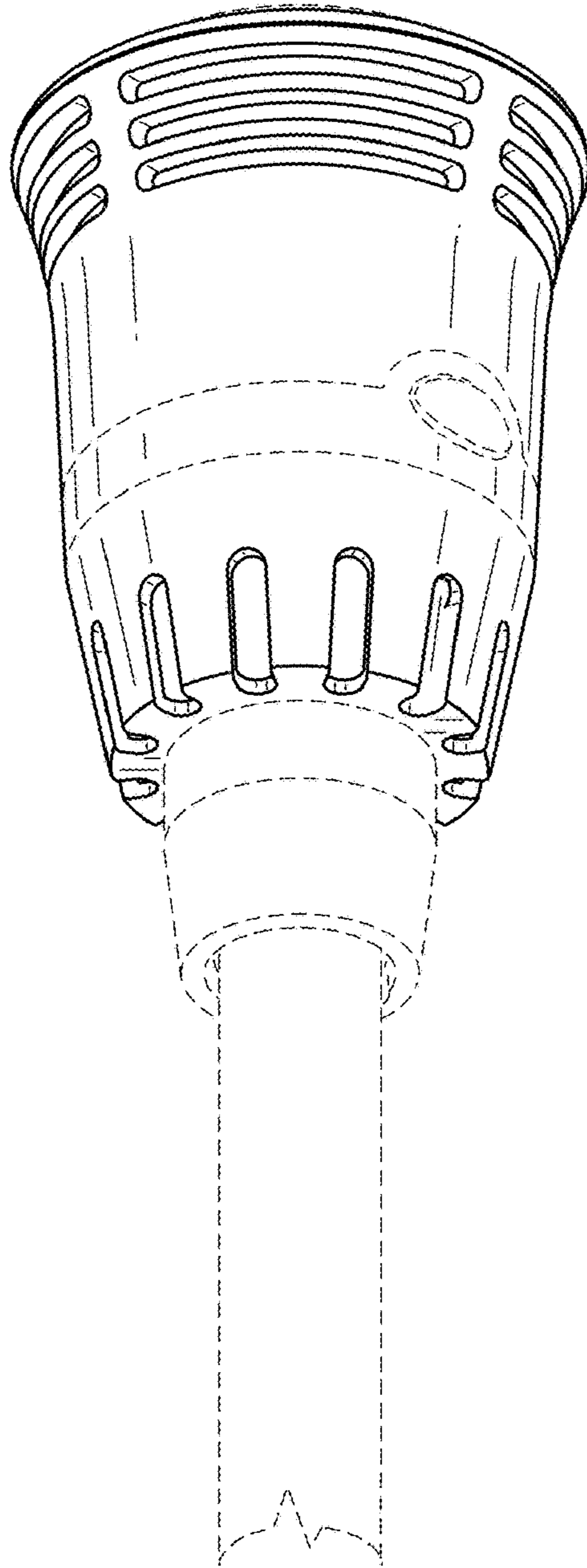


FIG. 10

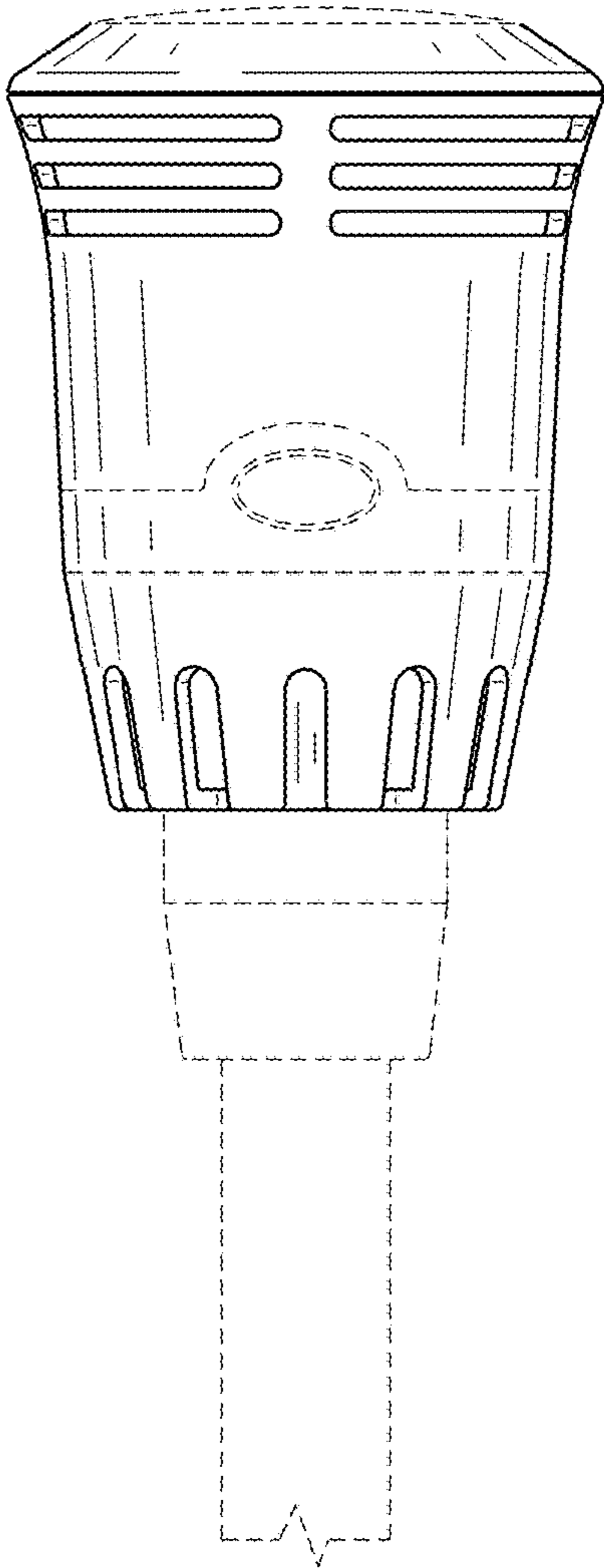


FIG. 11

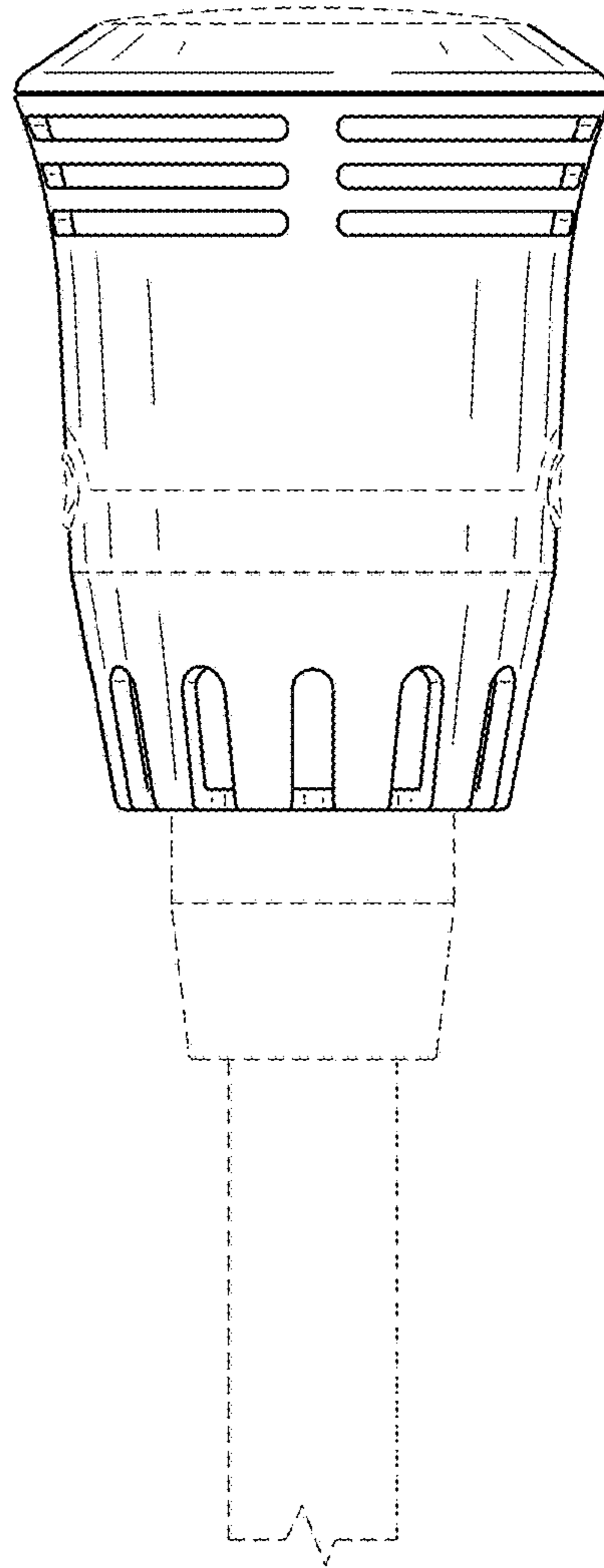


FIG. 12

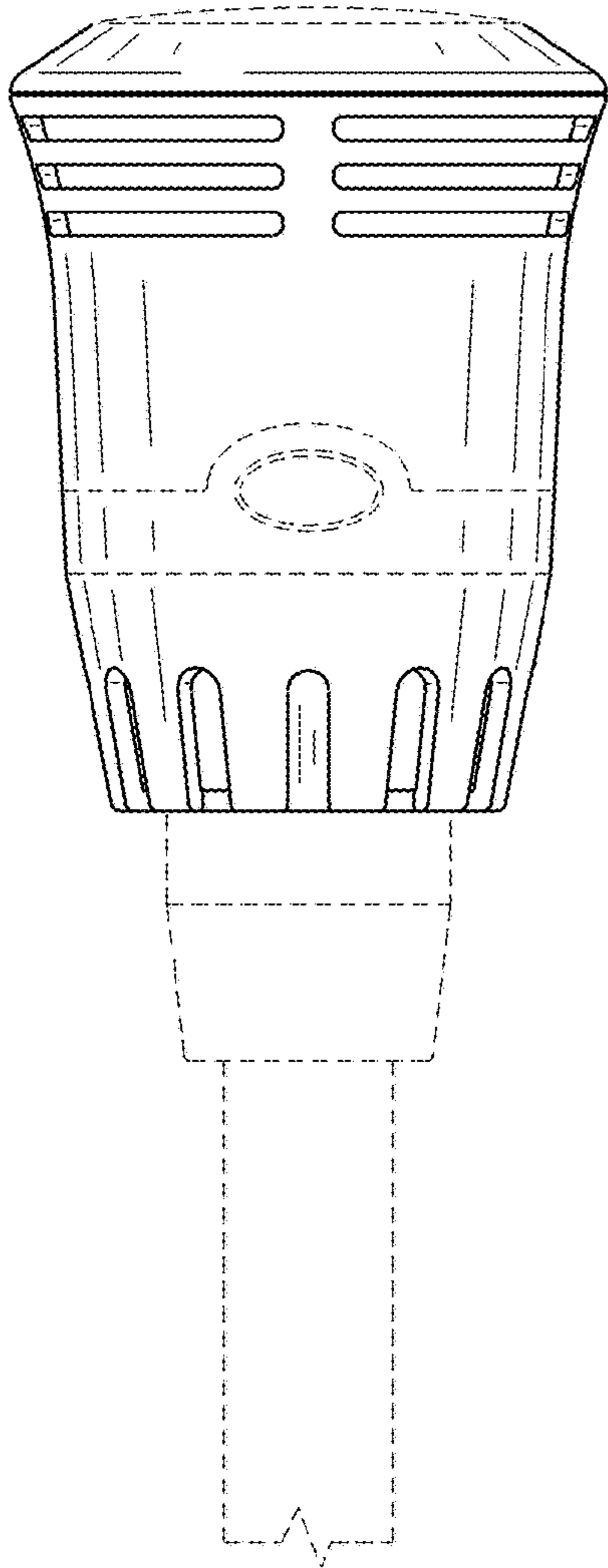


FIG. 13

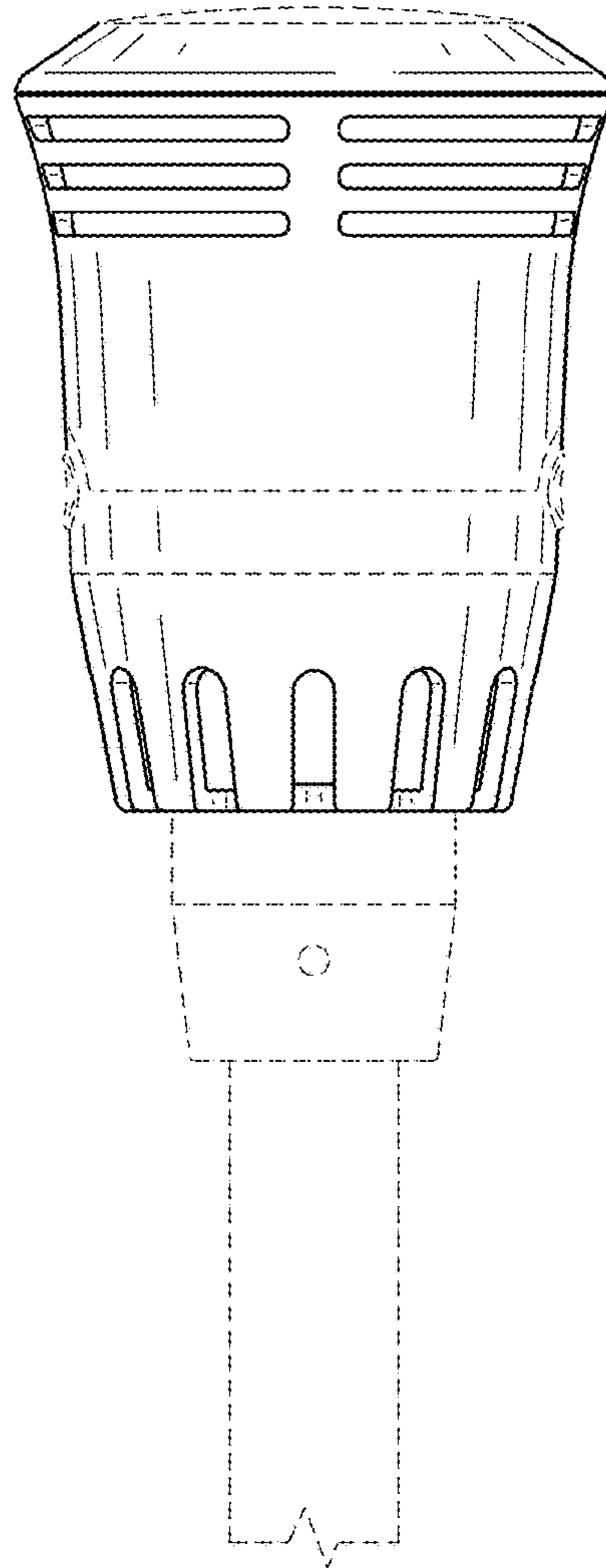


FIG. 14

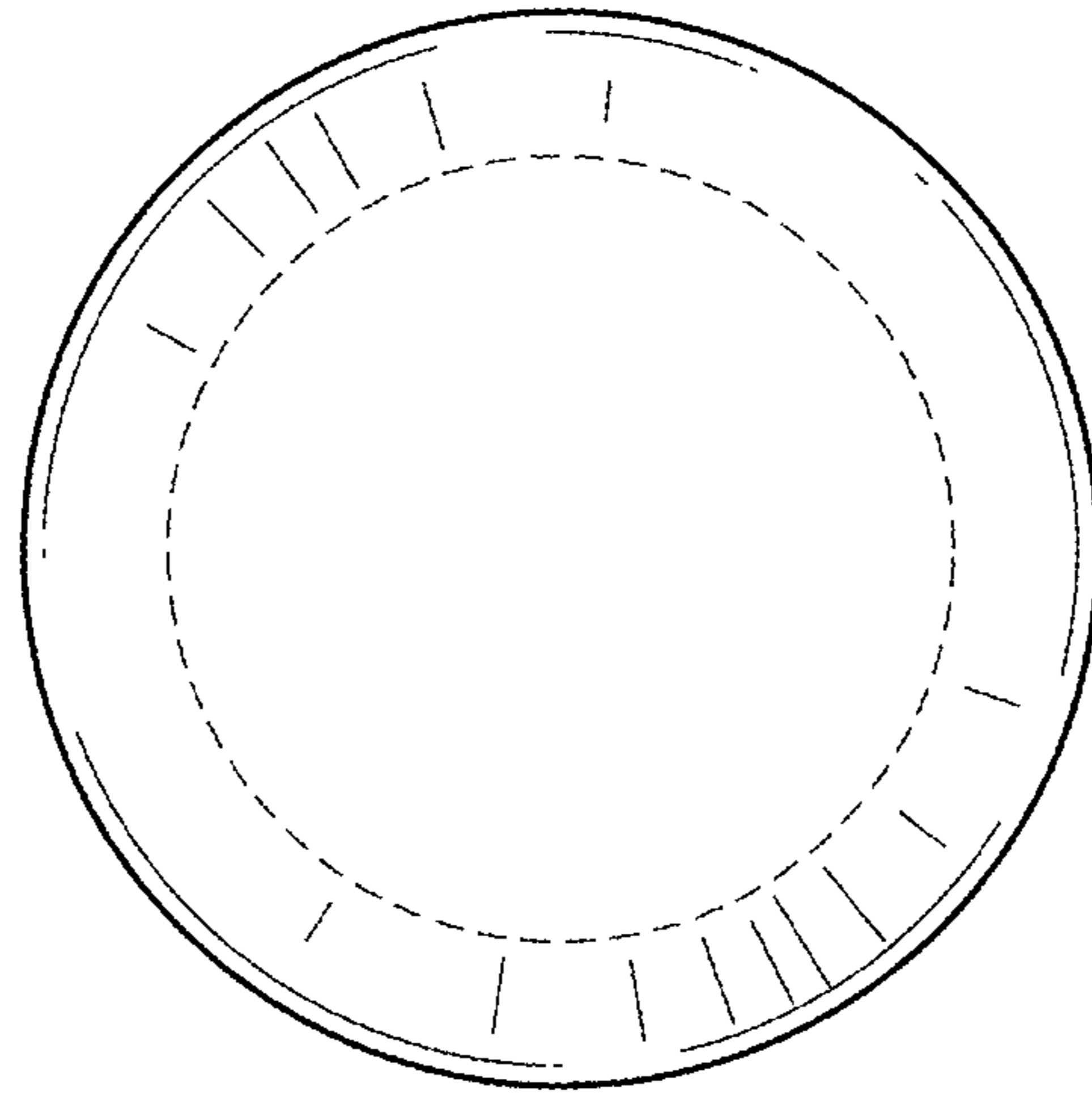


FIG. 15

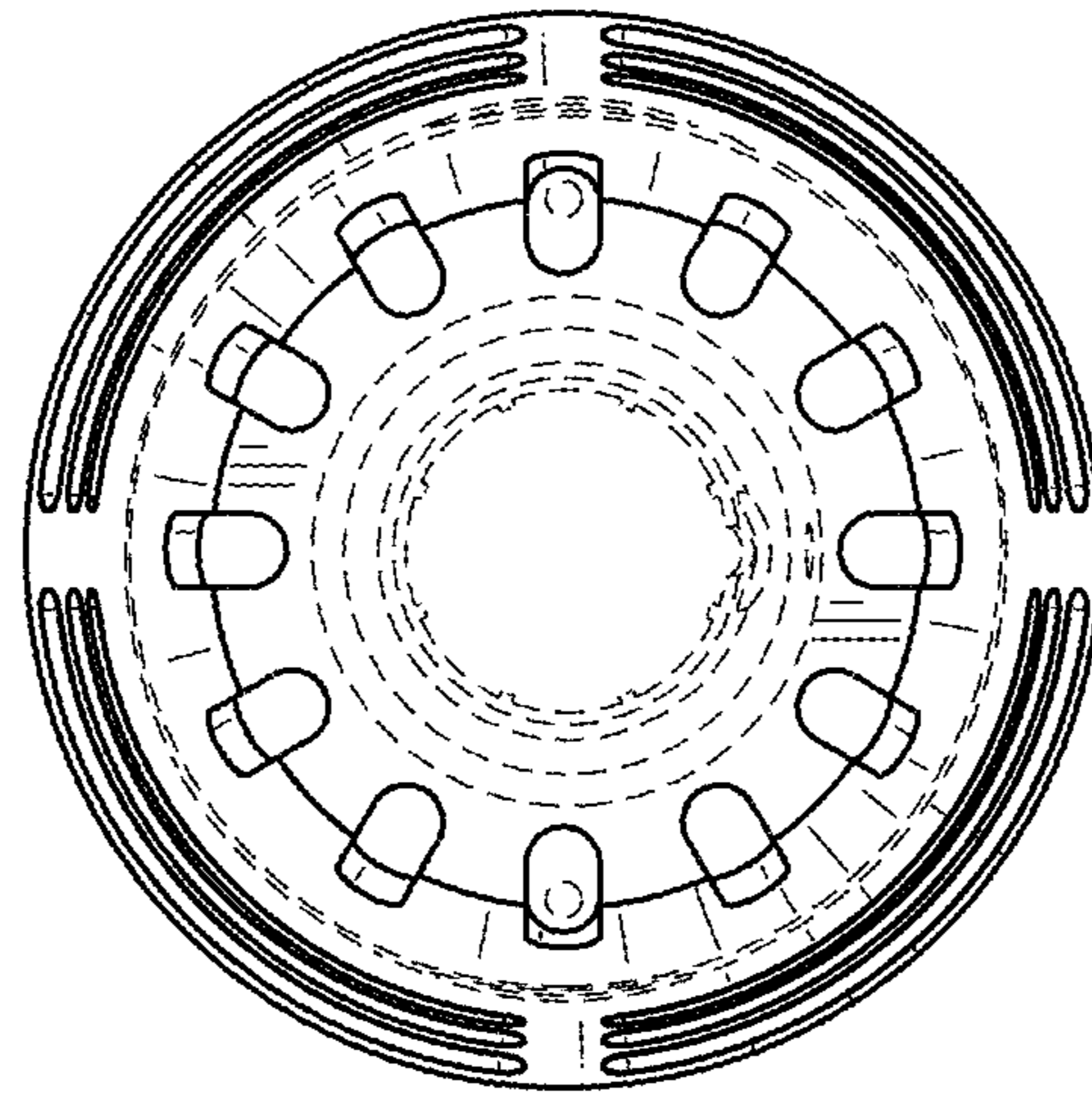


FIG. 16