



US00D851202S

(12) **United States Design Patent**
Hartley

(10) **Patent No.:** **US D851,202 S**

(45) **Date of Patent:** **** Jun. 11, 2019**

(54) **LASER DEVICE**

(71) Applicant: **Crimson Trace Corporation,**
Wilsonville, OR (US)

(72) Inventor: **Scott Hartley,** Wilsonville, OR (US)

(73) Assignee: **CRIMSON TRACE**
CORPORATION, Wilsonville, OR
(US)

(**) Term: **15 Years**

(21) Appl. No.: **29/623,633**

(22) Filed: **Oct. 26, 2017**

(51) **LOC (11) Cl.** **22-01**

(52) **U.S. Cl.**
USPC **D22/109**

(58) **Field of Classification Search**
USPC D22/100, 101, 103, 106, 108, 109, 110,
D22/111, 117, 199; D21/300, 301, 570,
D21/573, 574, 575
CPC F41B 5/14; F41B 5/00; F41C 27/00; F41C
23/14; F41C 23/06; F41C 3/00; F41C
7/00; F41C 23/20; F41C 23/08; F41C
23/10; F41G 11/003; F41G 1/18; F41G
1/38; F41G 1/545

See application file for complete search history.

(56) **References Cited**

U.S. PATENT DOCUMENTS

D603,478 S * 11/2009 Hughes F41G 11/001
D22/110
D636,049 S * 4/2011 Hughes F41G 11/001
D22/109
D636,837 S * 4/2011 Hughes F41G 11/001
D22/109
8,256,154 B2 * 9/2012 Danielson F41A 19/11
42/117
D669,553 S * 10/2012 Hughes D22/109
D669,958 S * 10/2012 Essig D22/108

D669,959 S * 10/2012 Johnston D22/108
D674,861 S * 1/2013 Johnston D22/109
D674,862 S * 1/2013 Johnston D22/109
D687,120 S * 7/2013 Hughes D22/109
D692,518 S * 10/2013 Anderson D22/108
D693,898 S * 11/2013 Essig D22/108
D694,847 S * 12/2013 Anderson D22/108
D694,848 S * 12/2013 Anderson D22/109
D696,376 S * 12/2013 Anderson D22/109
D709,981 S * 7/2014 Johnston D22/108
D738,456 S * 9/2015 Hughes D22/109
D738,457 S * 9/2015 Johnston D22/109
D763,400 S * 8/2016 Johnston D22/109

(Continued)

OTHER PUBLICATIONS

<https://www.academy.com/shop/browse/red-dots--lasers>—
Retrieved on Jul. 19, 2018.*

Primary Examiner — Khawaja Anwar

Assistant Examiner — Mojtaba Tehrani

(74) *Attorney, Agent, or Firm* — Schwabe, Williamson &
Wyatt, P.C.

(57) **CLAIM**

The ornamental design for a laser device, as shown and
described.

DESCRIPTION

FIG. 1 is a perspective view of a laser device, showing our
new design;

FIG. 2 is a front view thereof;

FIG. 3 is a rear view thereof;

FIG. 4 is a right side view thereof;

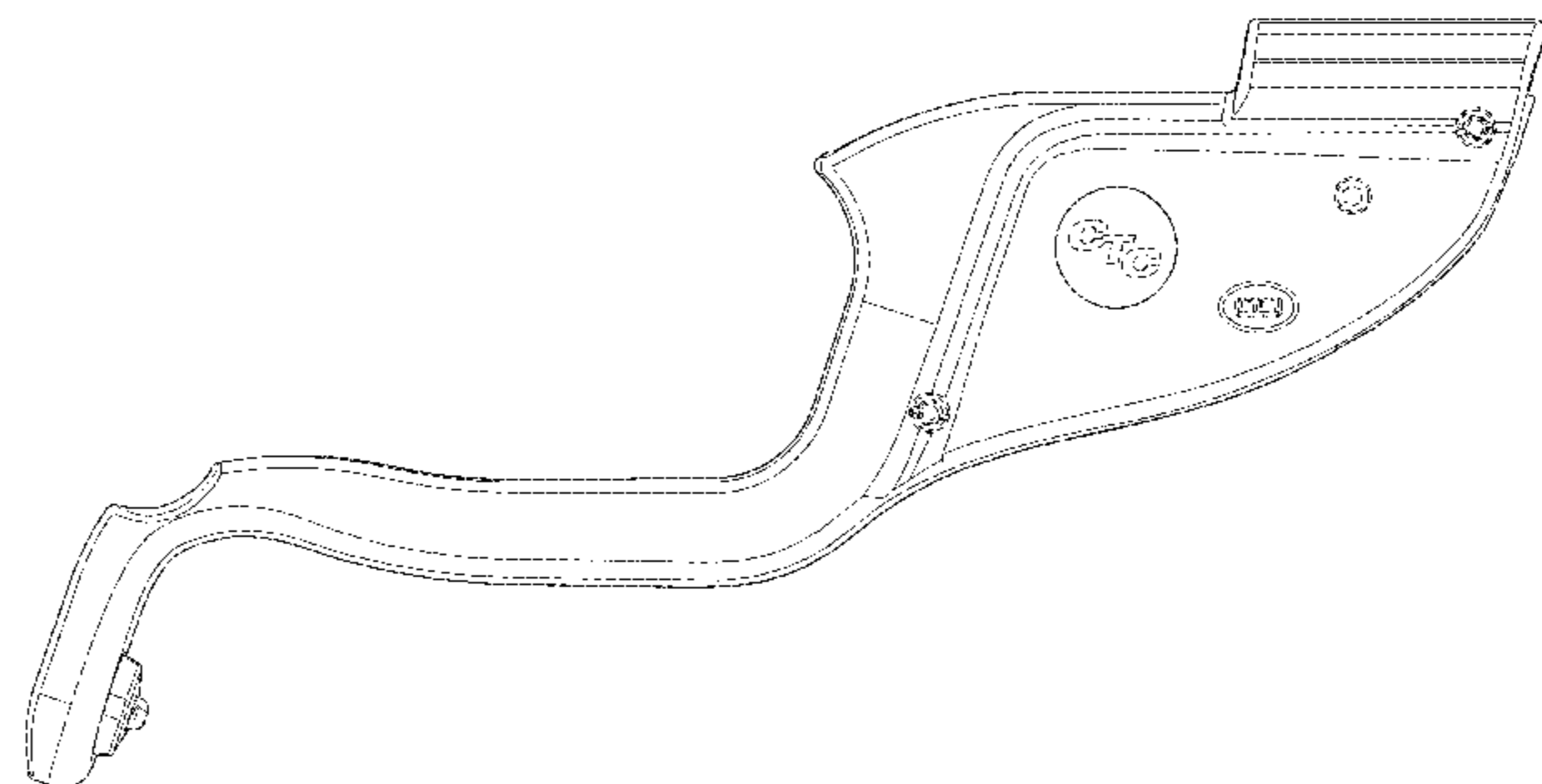
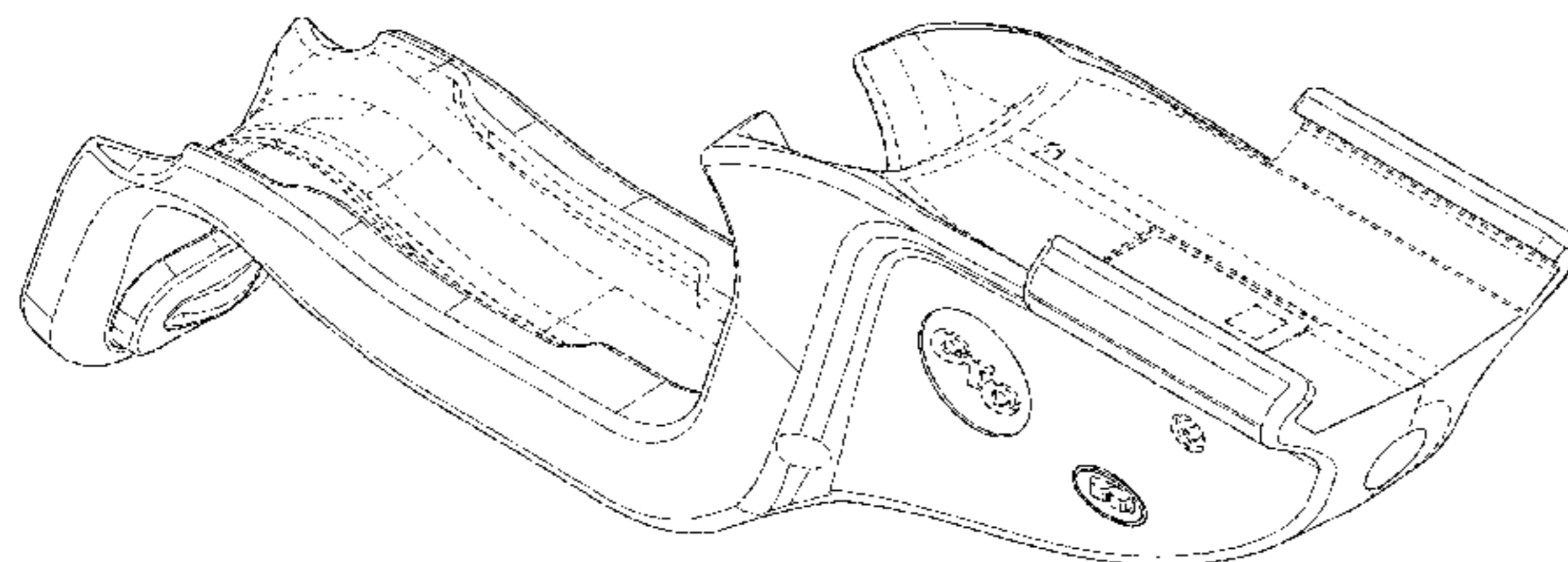
FIG. 5 is a left side view thereof;

FIG. 6 is a top view thereof; and,

FIG. 7 is a bottom view thereof.

The dashed lines are included for illustrating interior and/or
environmental structures and form no part of the claimed
design.

1 Claim, 7 Drawing Sheets



(56)

References Cited

U.S. PATENT DOCUMENTS

D792,544 S *	7/2017	Hartley	D22/108
D802,704 S *	11/2017	Planck	D22/109
D812,179 S *	3/2018	Anderson	D22/109
D812,180 S *	3/2018	Anderson	D22/109
D812,182 S *	3/2018	Ramasubramanian	D22/109
D812,707 S *	3/2018	Planck	D22/109
D823,422 S *	7/2018	Anderson	D22/109
2012/0124885 A1 *	5/2012	Caulk	F41G 1/35
			42/146
2012/0144718 A1 *	6/2012	Danielson	F41G 1/35
			42/117
2013/0074351 A1 *	3/2013	Kowalczyk	G01B 11/27
			33/286

* cited by examiner

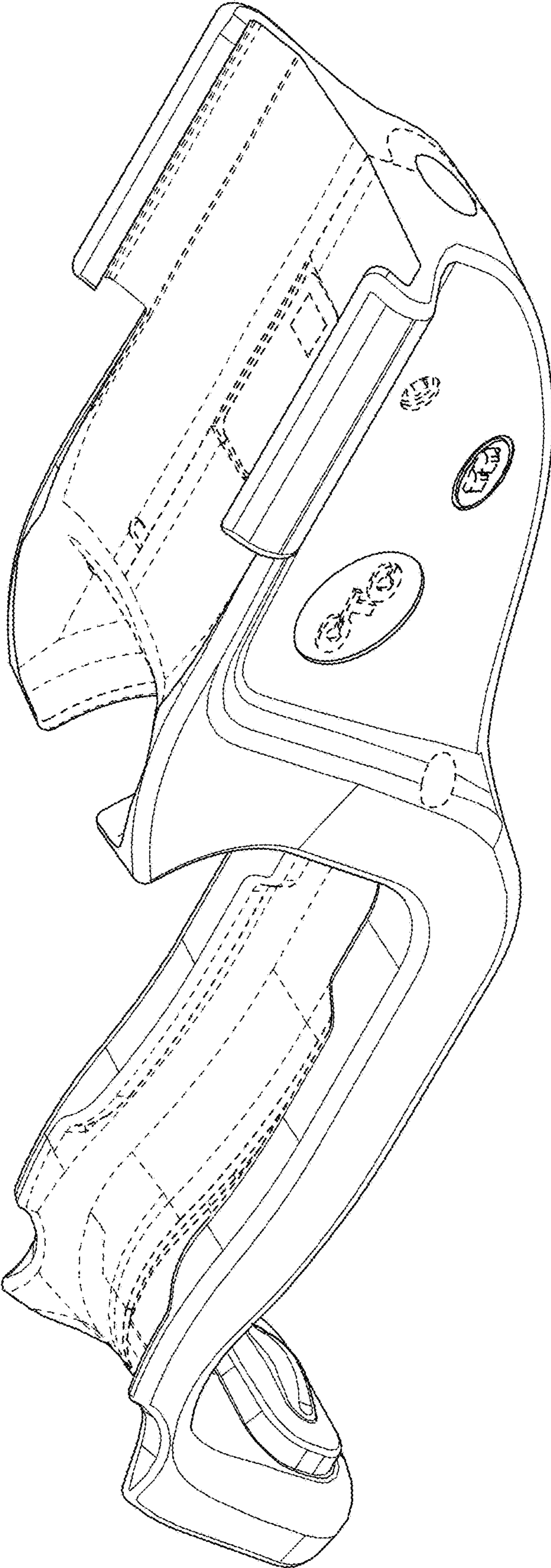


FIG. 1

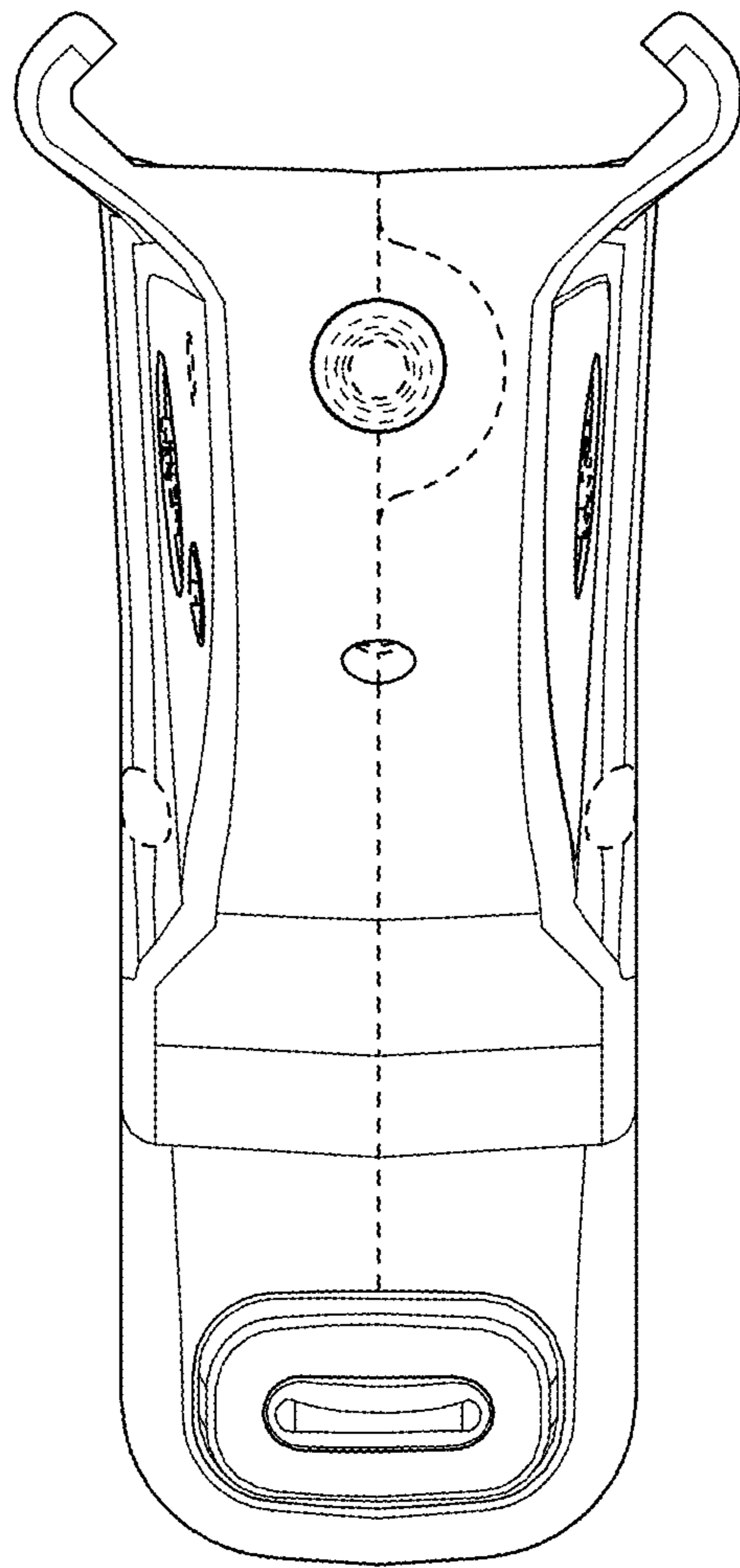


FIG. 2

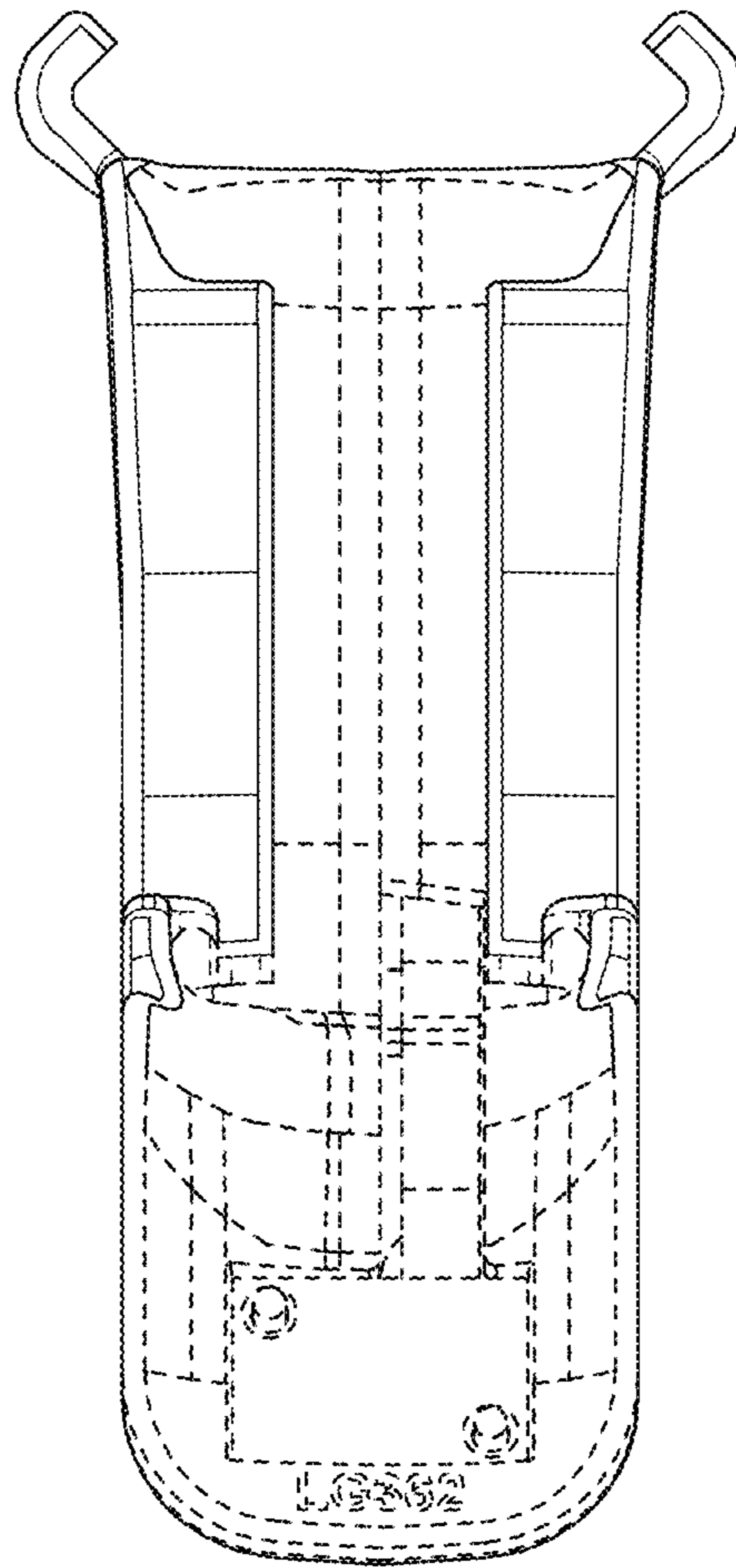


FIG. 3

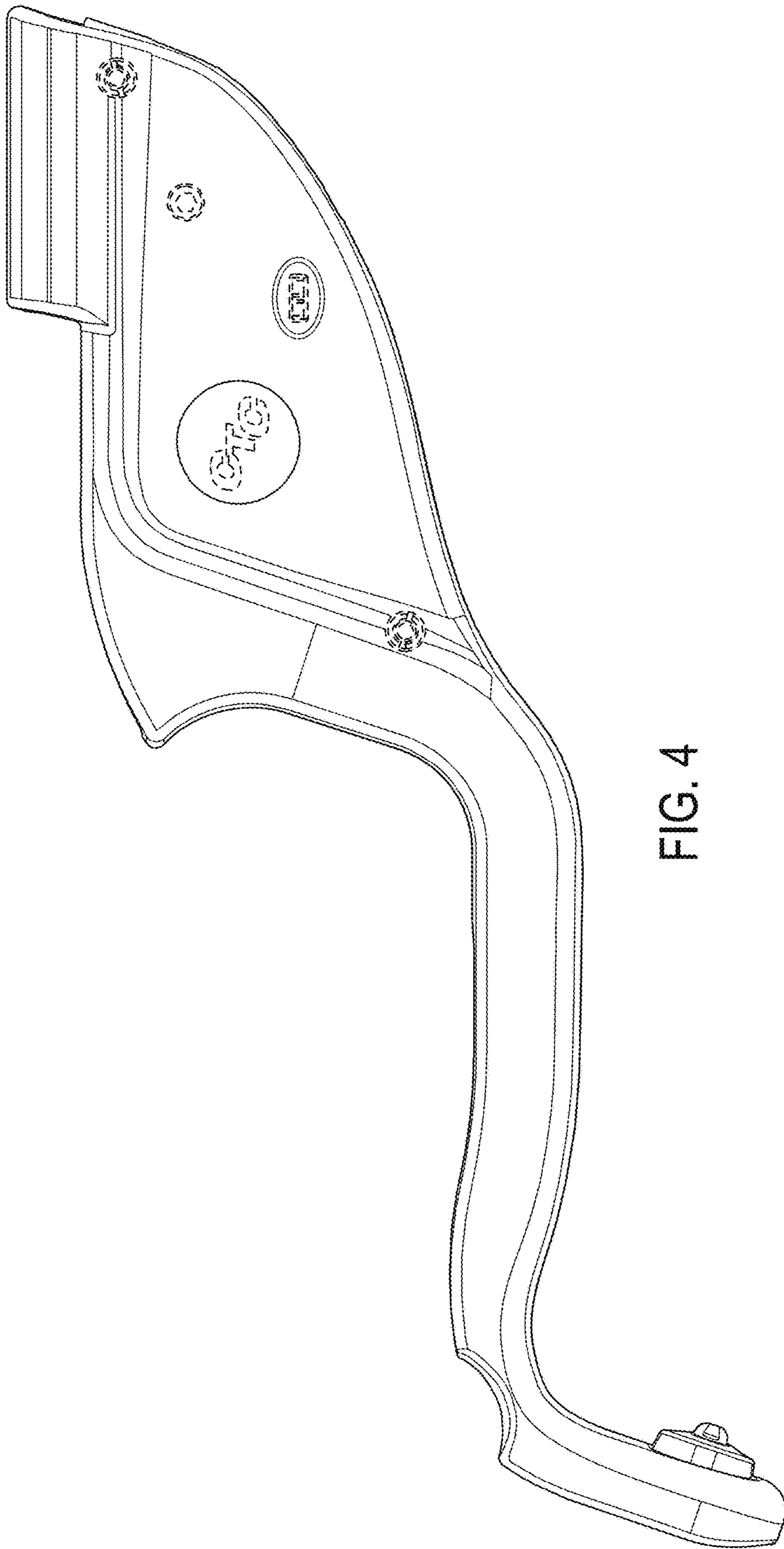


FIG. 4

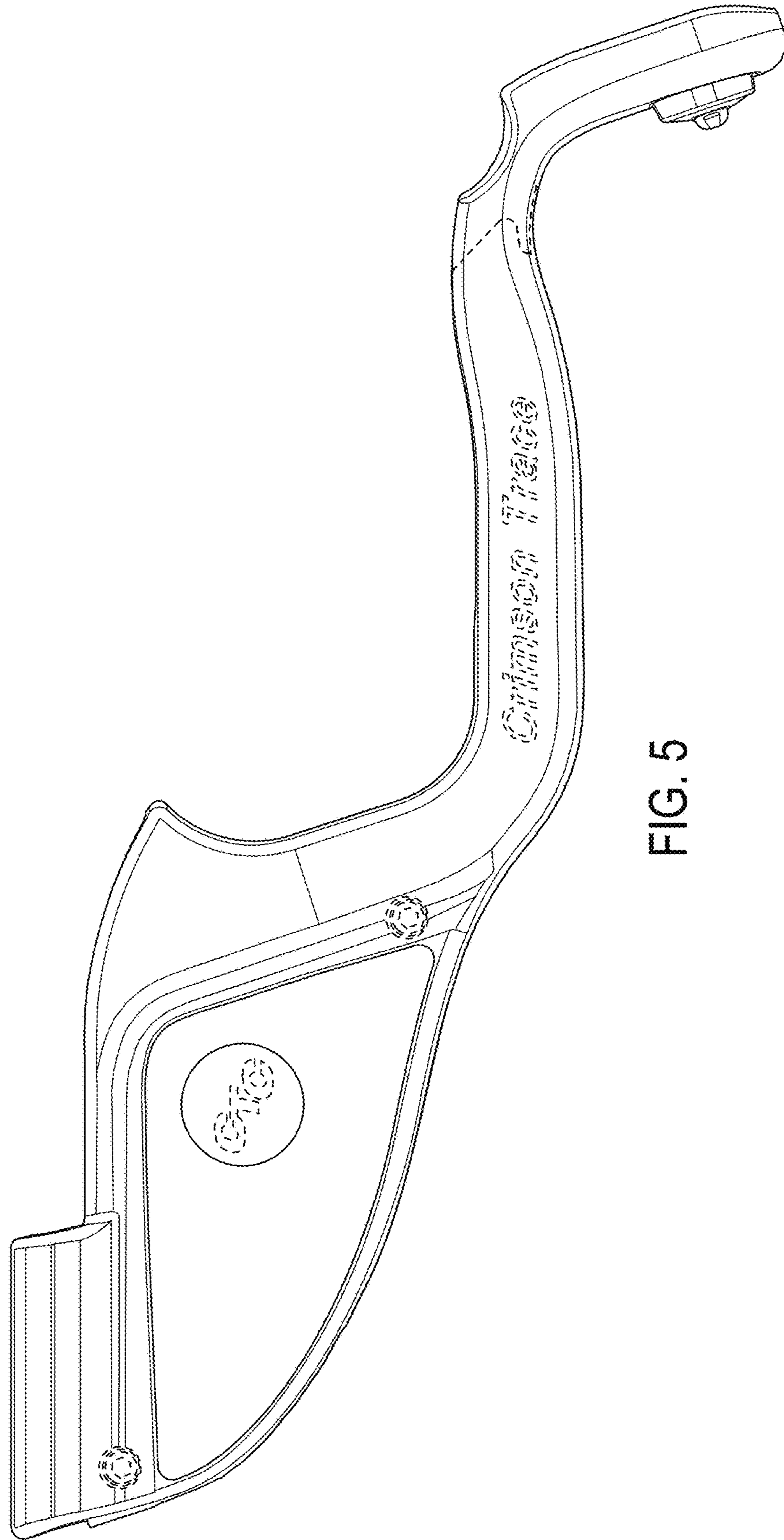


FIG. 5

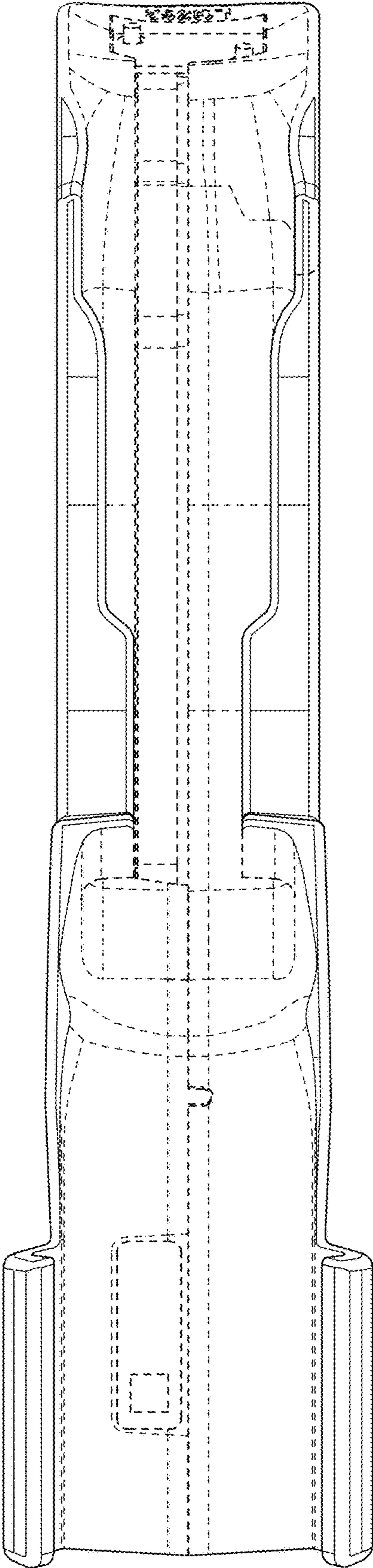


FIG. 6

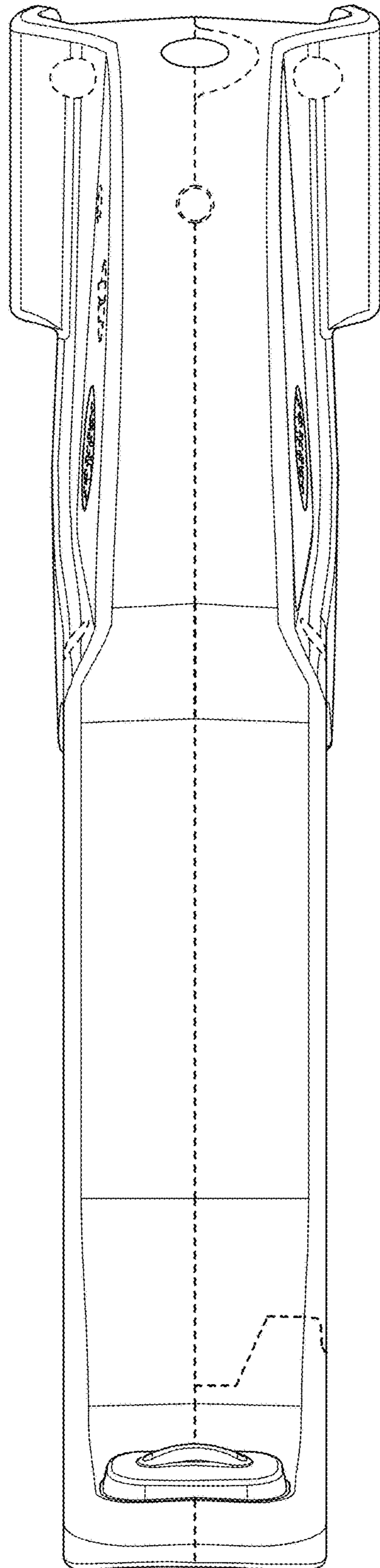


FIG. 7