



US00D851199S

(12) **United States Design Patent**  
**Ding et al.**

(10) **Patent No.:** **US D851,199 S**  
(45) **Date of Patent:** **\*\* Jun. 11, 2019**

(54) **FIREARM HANDGUARD**

FOREIGN PATENT DOCUMENTS

(71) Applicant: **Leapers, Inc.**, Livonia, MI (US)

EP 2520894 11/2012  
WO 2013082274 6/2013

(72) Inventors: **Tai-lai Ding**, Northville, MI (US); **Tat Shing Yu**, Plymouth, MI (US)

OTHER PUBLICATIONS

(73) Assignee: **Leapers, Inc.**, Livonia, MI (US)

Leapers AR15 Super Slim Keymod Drop-in Carbine Length Rail, posted at Optics Planet, review dated Feb. 7, 2018. Site visited Jan. 28, 2019. URL: <<https://www.opticsplanet.com/utg-pro-ar15-super-slim-keymod-drop-in-carbine-length-rail.html>> (Year: 2018).\*

(\*\*) Term: **15 Years**

(Continued)

(21) Appl. No.: **29/608,509**

(22) Filed: **Jun. 22, 2017**

*Primary Examiner* — Kevin K Rudzinski

(51) **LOC (11) Cl.** ..... **22-01**

*Assistant Examiner* — Kathleen Jones

(52) **U.S. Cl.**

(74) *Attorney, Agent, or Firm* — Warner Norcross + Judd, LLP

USPC ..... **D22/108**

(58) **Field of Classification Search**

USPC ..... D22/108, 199; D21/572-575

CPC ..... F41C 23/00; F41C 23/10; F41C 23/14;

F41C 23/16; F41C 23/18; F41C 27/00

See application file for complete search history.

(57) **CLAIM**

The ornamental design for firearm handguard, as shown and described.

(56) **References Cited**

**DESCRIPTION**

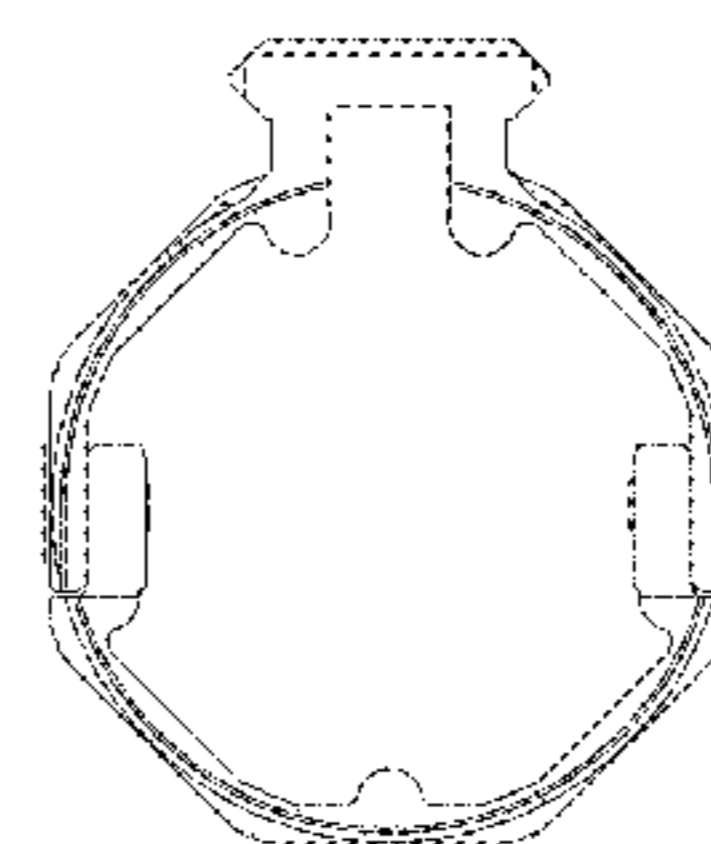
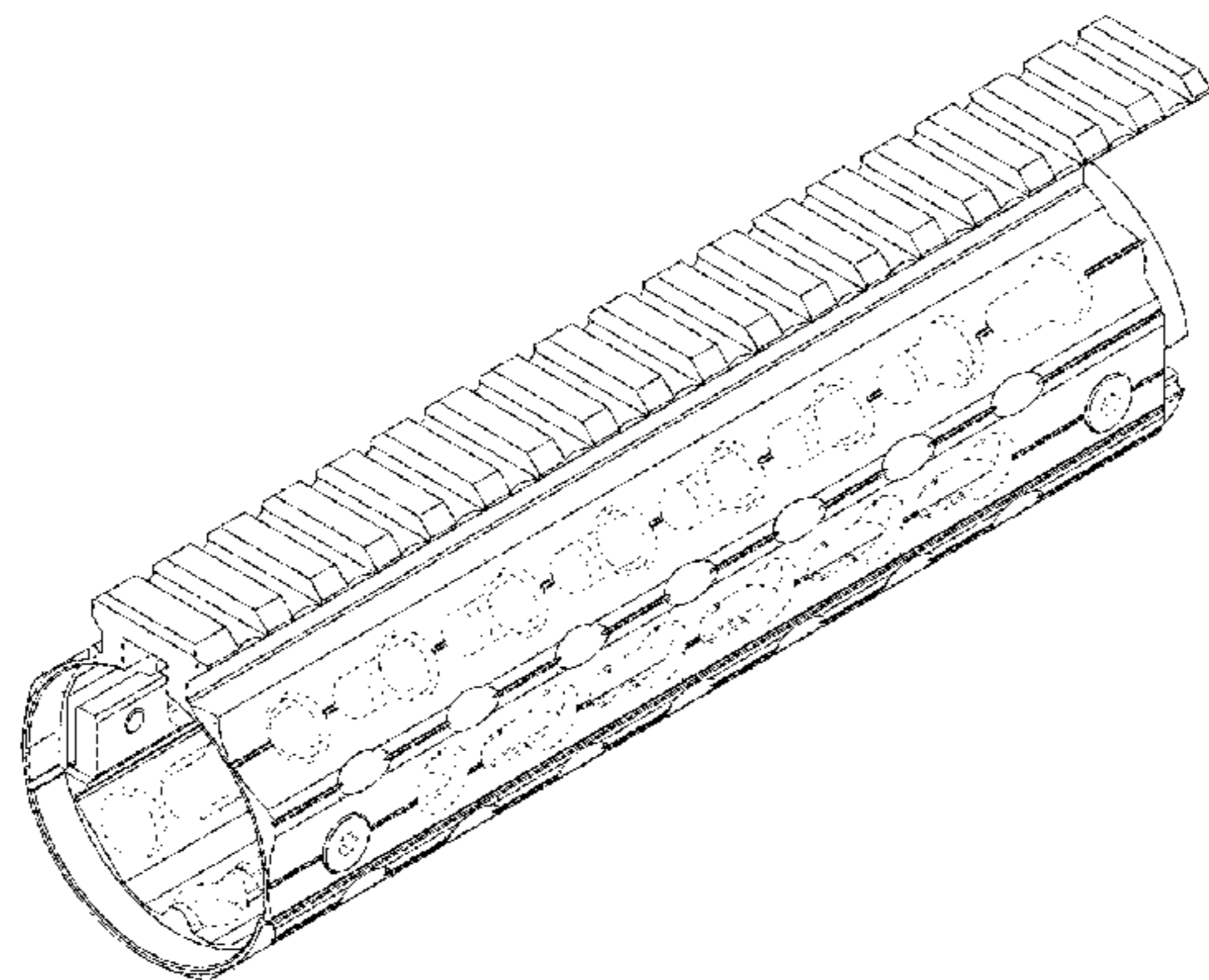
U.S. PATENT DOCUMENTS

D477,855 S	*	7/2003	Selvaggio	.....	D22/108
D494,471 S		8/2004	Chou		
D505,328 S		5/2005	Chou		
D510,120 S		9/2005	Ding		
D511,365 S		11/2005	Ding		
D513,056 S		12/2005	Ding		
D513,298 S		12/2005	Ding		
D513,299 S		12/2005	Ding		
D513,633 S		1/2006	Ding		
D516,157 S		2/2006	Ding		
D638,089 S		5/2011	Ding		
D639,376 S		6/2011	Ding		
D641,450 S		7/2011	Ding		
D649,993 S		12/2011	Ding		
D654,552 S		2/2012	Wu et al.		
D659,221 S		5/2012	Wu et al.		
D672,839 S		12/2012	Ding		

FIG. 1 is a perspective view of the firearm handguard embodying the new design;  
FIG. 2 is a left side view thereof, the right side view being a mirror image thereof;  
FIG. 3 is a top view thereof;  
FIG. 4 is a bottom view thereof;  
FIG. 5 is a front view thereof; and,  
FIG. 6 is a rear view thereof.  
FIGS. 1-6 show features of a firearm handguard in broken lines. These features are shown for environmental purposes and do not form any part of the claimed design. The broken lines immediately adjacent the solid line portions of the design form the boundary of the design, with the broken lines forming no part of the claimed design.

(Continued)

**1 Claim, 5 Drawing Sheets**



(56)

References Cited

U.S. PATENT DOCUMENTS

8,397,421 B2 3/2013 Ding et al.  
 8,429,843 B2 4/2013 Yan  
 8,437,079 B2 5/2013 Wu  
 D692,516 S 10/2013 Yan et al.  
 8,752,325 B2 6/2014 Ding et al.  
 D711,492 S 8/2014 Yan et al.  
 8,806,792 B2 8/2014 Yan et al.  
 D713,484 S \* 9/2014 Firpo, I ..... D22/108  
 D720,421 S \* 12/2014 Chen ..... D22/108  
 8,904,691 B1 \* 12/2014 Kincel ..... F41C 23/16  
 42/71.01  
 D721,407 S \* 1/2015 Chu ..... D21/574  
 D726,278 S 4/2015 Ding et al.  
 D727,455 S 4/2015 Ding et al.  
 D730,474 S 5/2015 Ding et al.  
 D736,886 S \* 8/2015 Cheng ..... D22/108  
 D737,397 S \* 8/2015 Cheng ..... D22/108  
 9,169,958 B2 10/2015 Yan  
 D747,426 S \* 1/2016 Cheng ..... D22/108  
 D748,754 S \* 2/2016 Chastain ..... D22/108  
 D751,663 S 3/2016 Ding et al.  
 D752,171 S \* 3/2016 Chen ..... D22/108  
 D755,342 S 5/2016 Ding et al.  
 D758,521 S 6/2016 Ding et al.  
 D758,522 S 6/2016 Ding et al.  
 D768,800 S \* 10/2016 Willits ..... D22/108  
 9,476,672 B2 \* 10/2016 Wells ..... F41C 23/16  
 D771,216 S \* 11/2016 Dubois ..... D22/108  
 D771,218 S 11/2016 Ding et al.  
 D773,005 S 11/2016 Ding et al.  
 D779,013 S \* 2/2017 Cheng ..... D22/106  
 9,599,430 B1 \* 3/2017 Geissele ..... F41C 23/16  
 D827,082 S \* 8/2018 Dubois ..... D22/108  
 10,126,094 B2 \* 11/2018 Kincel ..... F41C 23/16  
 10,215,527 B2 \* 2/2019 Storch ..... F41C 23/16  
 2006/0075674 A1 12/2006 Ding  
 2007/0277422 A1 12/2007 Ding  
 2012/0281278 A1 11/2012 Wu  
 2012/0297970 A1 \* 11/2012 Langevin ..... F41C 23/16  
 89/125  
 2014/0026459 A1 \* 1/2014 Yan ..... F41C 23/16  
 42/71.01  
 2014/0130390 A1 \* 5/2014 Geissele ..... F41C 23/16  
 42/71.01  
 2017/0160048 A1 \* 6/2017 Galletta, II ..... F41C 23/16  
 2017/0234646 A1 \* 8/2017 Flagler ..... F41G 11/003  
 42/71.01  
 2018/0010881 A1 \* 1/2018 Garst ..... F41C 23/16  
 2018/0356181 A1 \* 12/2018 Williams ..... F41C 23/16

OTHER PUBLICATIONS

UTGLEapers, Leapers/UTG Operators Manual, posted at YouTube, posting date Apr. 19, 2014. Site visited Jan. 28, 2019. URL: <<https://www.youtube.com/watch?v=eVU8pREldvo>> (Year: 2014).\*  
 Pete, New: Midwest Industries 17.5" MLOK Handguard, posted at The Firearm Blog, posting date Dec. 14, 2016. Site visited Jan. 28, 2019. URL: <<https://www.thefirearmblog.com/blog/2016/12/14/midwest-industries-mlok/>> (Year: 2016).\*  
 Nathan S., UTG Pro Release New Slim M-LOK Handguards, posted at The Firearm Blog, posting date Nov. 24, 2015. Site visited Jan. 28, 2019. URL: <<https://www.thefirearmblog.com/blog/2015/11/24/utg-pro-release-new-slim-m-lok-handguards/>> (Year: 2015).\*  
 NC Star AR15 Keymod Handguard—Carbine Length, downloaded from <https://www.ncstar.com/optics-acc/mounts/ar15-mounts/vmarkmc-keymod-ar-rail-syscarbine> on Jun. 5, 2017.  
 ERGO Ultra Lite S 2-Piece Drop-In KeyMod Handguard, downloaded from <https://www.midwayusa.com/product/567640/ergo-ultra-lite-s-2-piece-drop-in-keymod-handguard-ar-15-carbine-length-aluminum-black> on Jun. 5, 2017.  
 Mission First Tactical Tekko Metal AR15 Carbine 7" Drop in KeyMod Rail System, downloaded from <http://www.missionfirsttactical.com/Products/Rail-Systems/TMARCKRS-7in-Drop-In-KeyMod-Rail> on Jun. 5, 2017.  
 Diamond Head Drop-In Handguard, downloaded from [http://www.pinsdaddy.com/black-friday-sale-diamond-head-drop-on-rail-system-first-49-gets-it\\_185YHnazZjqEm7Dgl\\*a%7CMXfXygT\\*xhE1VUjeNclakn\\*DuNyQUoEsJ1erS7cxpXAr9oZC3XCcROjkyDwglvNIJkX6xz1slfoWPxa%7...](http://www.pinsdaddy.com/black-friday-sale-diamond-head-drop-on-rail-system-first-49-gets-it_185YHnazZjqEm7Dgl*a%7CMXfXygT*xhE1VUjeNclakn*DuNyQUoEsJ1erS7cxpXAr9oZC3XCcROjkyDwglvNIJkX6xz1slfoWPxa%7...) On Jun. 5, 2017.  
 Strike Industries SI G2 AR Mega Fins Two-Piece Drop-In, downloaded from [http://2323862zru3v2q2fq331fqh87fk.wpengine.netdna-cdn.com/wp-content/uploads/2015/03/Strike\\_Industries\\_SI\\_G2\\_AR\\_Mega\\_Fins\\_Two-Piece\\_Drop-In\\_Heptagonal\\_Free-Float\\_KeyMod\\_Modular\\_Tactical\\_Handguard\\_Rail\\_System\\_for\\_Tactical\\_AR-15\\_Carbine\\_SBRs\\_DefenseReview.com\\_DR\\_4.jpg](http://2323862zru3v2q2fq331fqh87fk.wpengine.netdna-cdn.com/wp-content/uploads/2015/03/Strike_Industries_SI_G2_AR_Mega_Fins_Two-Piece_Drop-In_Heptagonal_Free-Float_KeyMod_Modular_Tactical_Handguard_Rail_System_for_Tactical_AR-15_Carbine_SBRs_DefenseReview.com_DR_4.jpg) on Jun. 5, 2017.  
 Midwest Industries MI AR-15/M16 M-Series Two Piece Drop-In Handguard, M-LOK™ compatible, Carbine Length, downloaded from <https://www.midwestindustriesinc.com/product-p/mi-17m-blk.htm> on Jun. 5, 2017.  
 Midwest Industries MI AR-15/M16 K-Series KeyMod Two Piece Drop-In Handguard, Carbine Length downloaded from <https://www.midwestindustriesinc.com/product-p/mi-17k.htm> on Jun. 5, 2017.  
 Leapers, Inc. UTG Pro AR15 9" Super Slim Free Float Keymod Compatible Rail, downloaded from [http://www.leapers.com/index.php?act=prod\\_detail&itemno=MTU004SSK&midx=920&allids=919\\_918\\_920](http://www.leapers.com/index.php?act=prod_detail&itemno=MTU004SSK&midx=920&allids=919_918_920) on Jun. 5, 2017.  
 Midwest Industries MI G3 M-Series One Piece Free Float Handguard, M-LOK compatible—Black, Jun. 5, 2017.

\* cited by examiner

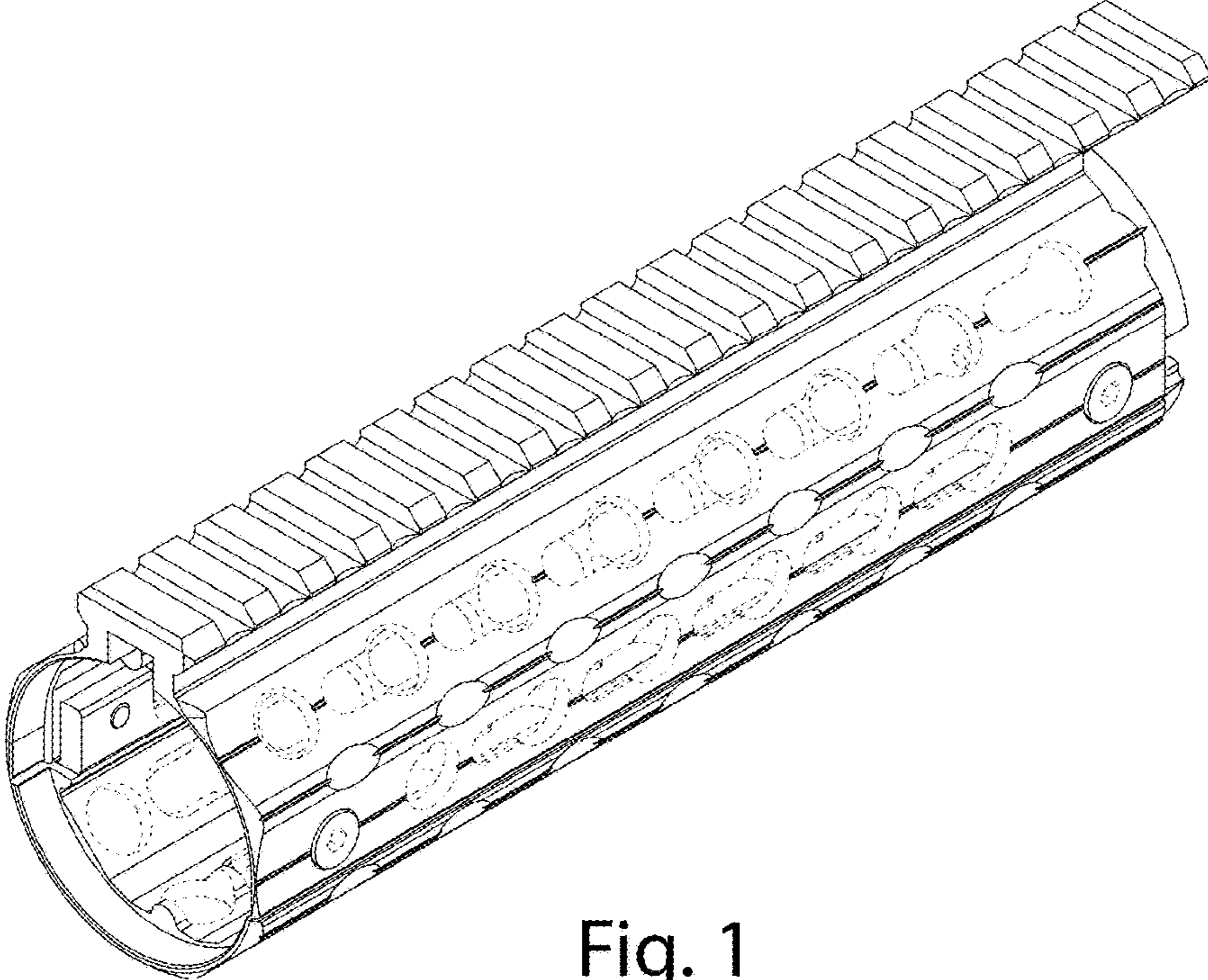


Fig. 1

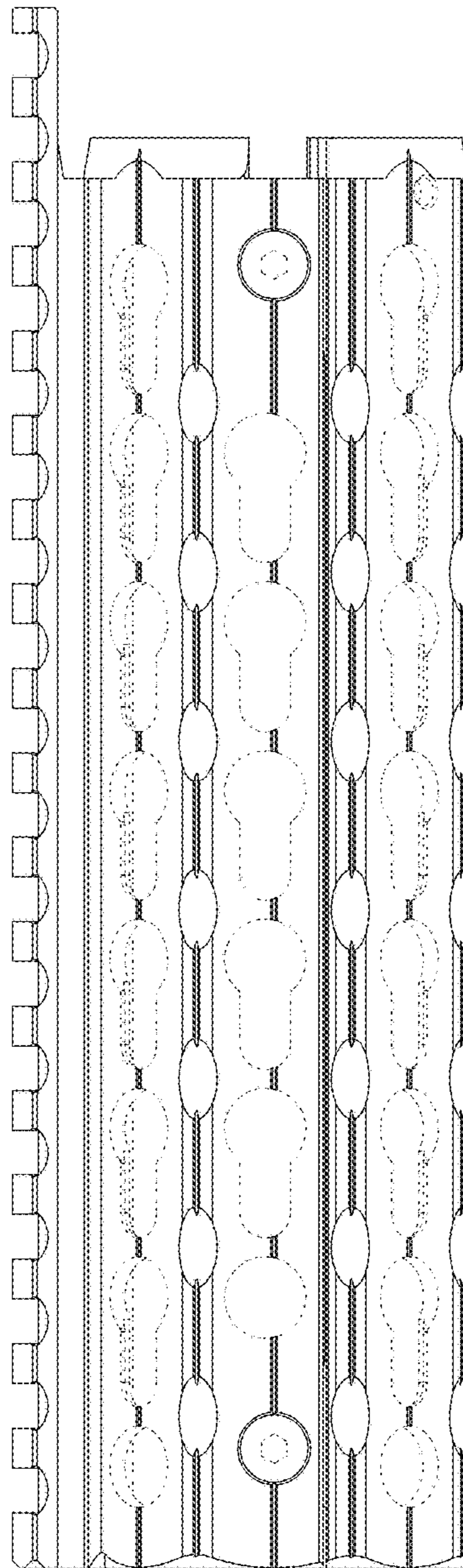


Fig. 2

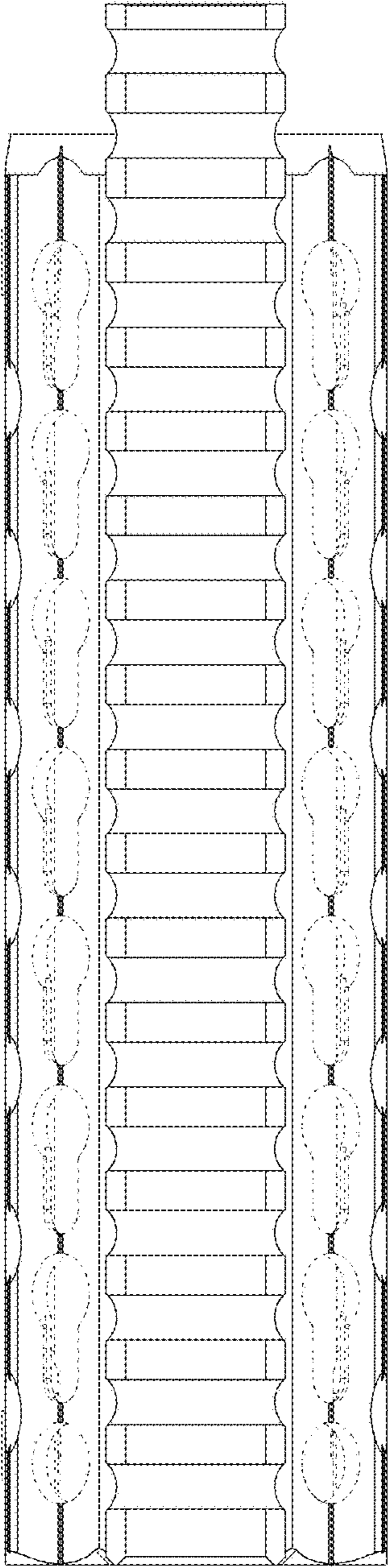


Fig. 3

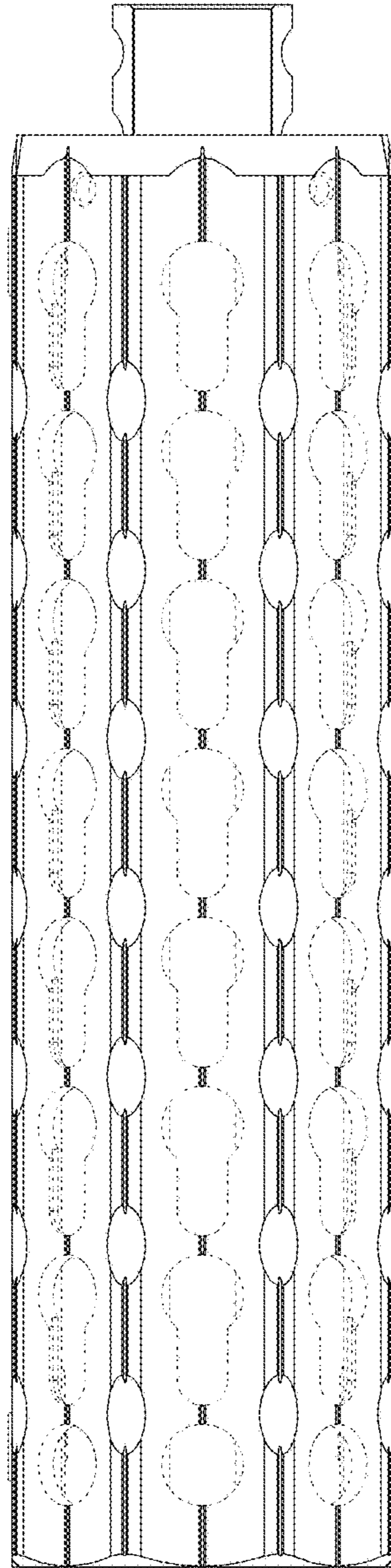


Fig. 4

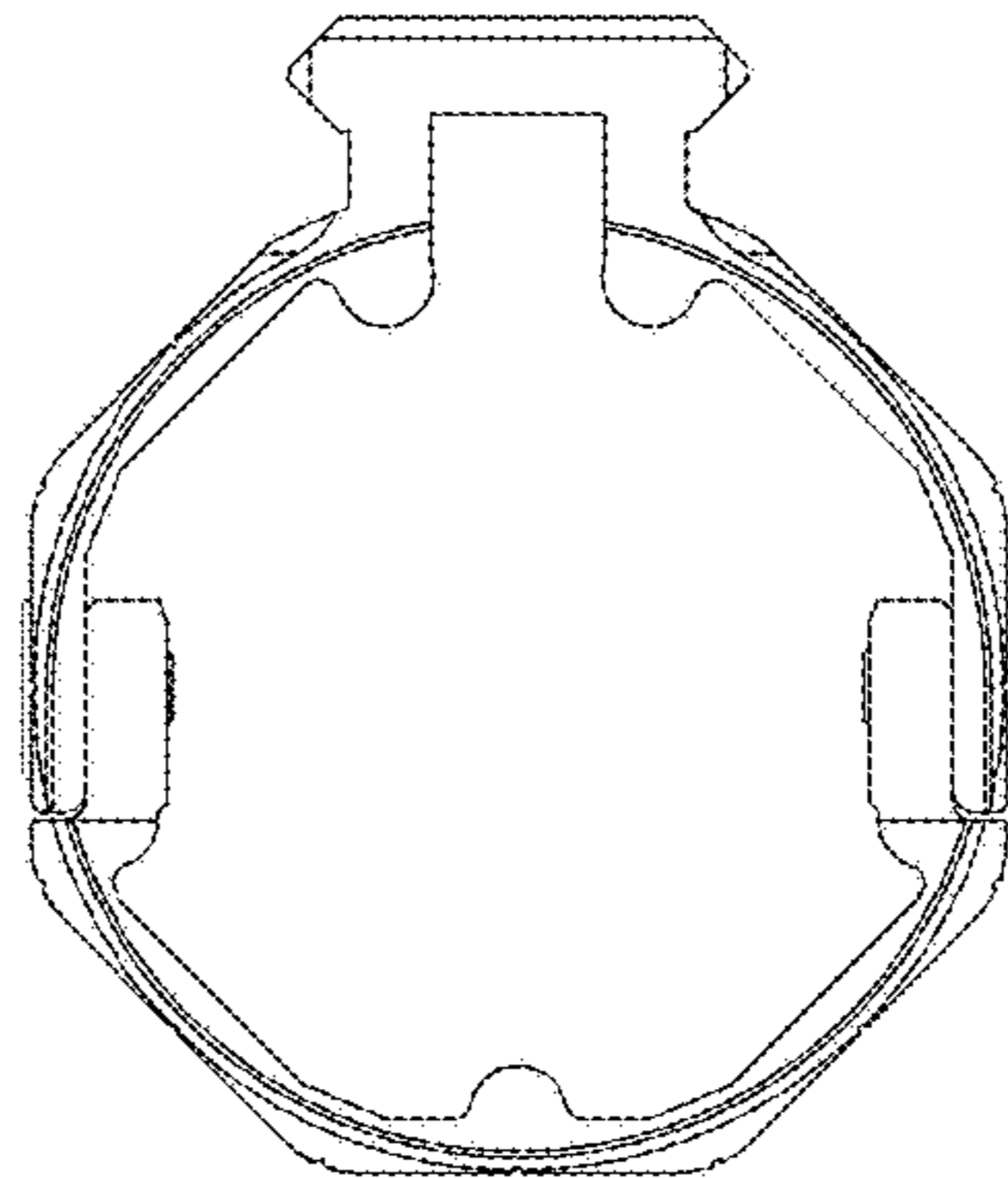


Fig. 5

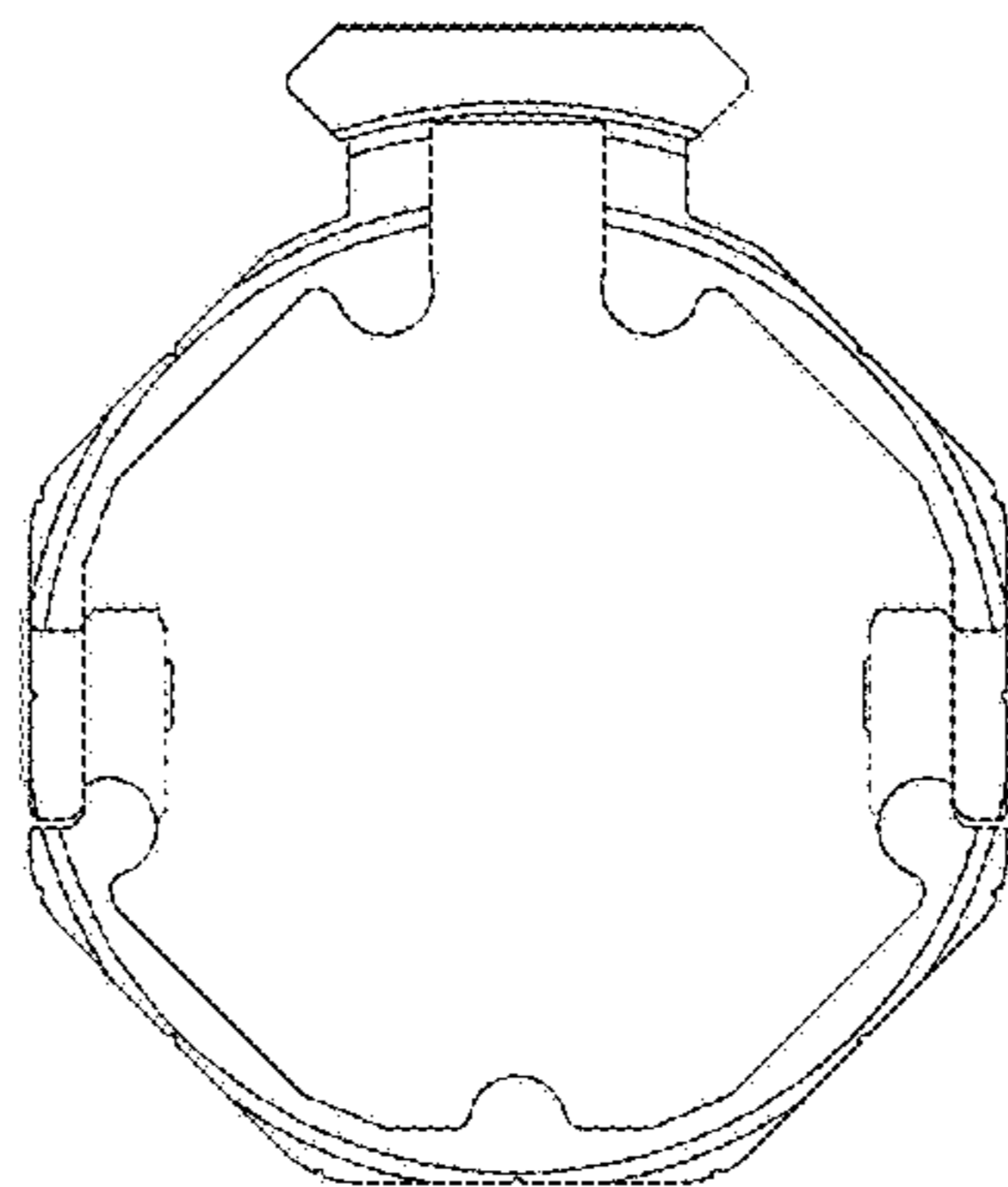


Fig. 6