



US00D851198S

(12) **United States Design Patent** (10) **Patent No.:** **US D851,198 S**
Geissele (45) **Date of Patent:** **** Jun. 11, 2019**

(54) **CAM PIN**
(71) Applicant: **WHG Properties, LLC**, North Wales, PA (US)
(72) Inventor: **William H. Geissele**, Lower Gwynedd, PA (US)
(73) Assignee: **WHG Properties, LLC**, North Wales, PA (US)

(**) Term: **15 Years**

(21) Appl. No.: **29/605,725**

(22) Filed: **May 30, 2017**

(51) **LOC (11) Cl.** **22-01**

(52) **U.S. Cl.**
USPC **D22/108**

(58) **Field of Classification Search**
USPC D22/108, 199; D21/572-575
CPC F41A 21/34; F41A 21/325; F41A 21/32;
F41A 21/28; F41A 3/14; F41A 3/30
See application file for complete search history.

(56) **References Cited**

U.S. PATENT DOCUMENTS

3,648,562	A *	3/1972	Loeble	F41A 19/13 89/148
D268,861	S *	5/1983	Gwinn, Jr.	89/14.3
D549,567	S *	8/2007	Hamu	D8/397
8,051,958	B1 *	11/2011	Rockwell	F16D 55/22655 188/73.45
D745,936	S *	12/2015	Coulter	D21/573
D754,275	S *	4/2016	Geissele	D22/108
D759,188	S *	6/2016	Geissele	D22/108
D762,804	S *	8/2016	Gardner	D22/108
D773,003	S *	11/2016	Meister	D22/108
D775,304	S *	12/2016	Jen	D22/108
D792,549	S *	7/2017	McKillips	D22/108
9,970,721	B1 *	5/2018	Oglesby	F41A 3/64

2014/0090283	A1 *	4/2014	Gomez	F41A 3/26 42/25
2014/0116817	A1 *	5/2014	Morais	F16D 55/2265 188/73.45
2016/0178306	A1 *	6/2016	Geissele	F41A 21/36 89/14.3
2017/0059264	A1 *	3/2017	Geissele	F41A 3/84
2017/0074607	A1 *	3/2017	Lewis	F41A 3/26
2018/0356171	A1 *	12/2018	Brown	F41A 15/14

FOREIGN PATENT DOCUMENTS

WO WO-2016159888 A1 * 10/2016 F41A 15/14

OTHER PUBLICATIONS

Analysis of the Kel-Tec SU-16, posted at Gunwiki, posting date Sep. 21, 2008. [Site visited Nov. 21, 2018] URL: <<http://gunwiki.net/Gunwiki/AnalysisKelTecSU16>> (Year: 2008).*

(Continued)

Primary Examiner — Kevin K Rudzinski
Assistant Examiner — Kathleen L Jones
(74) *Attorney, Agent, or Firm* — Fox Rothschild LLP

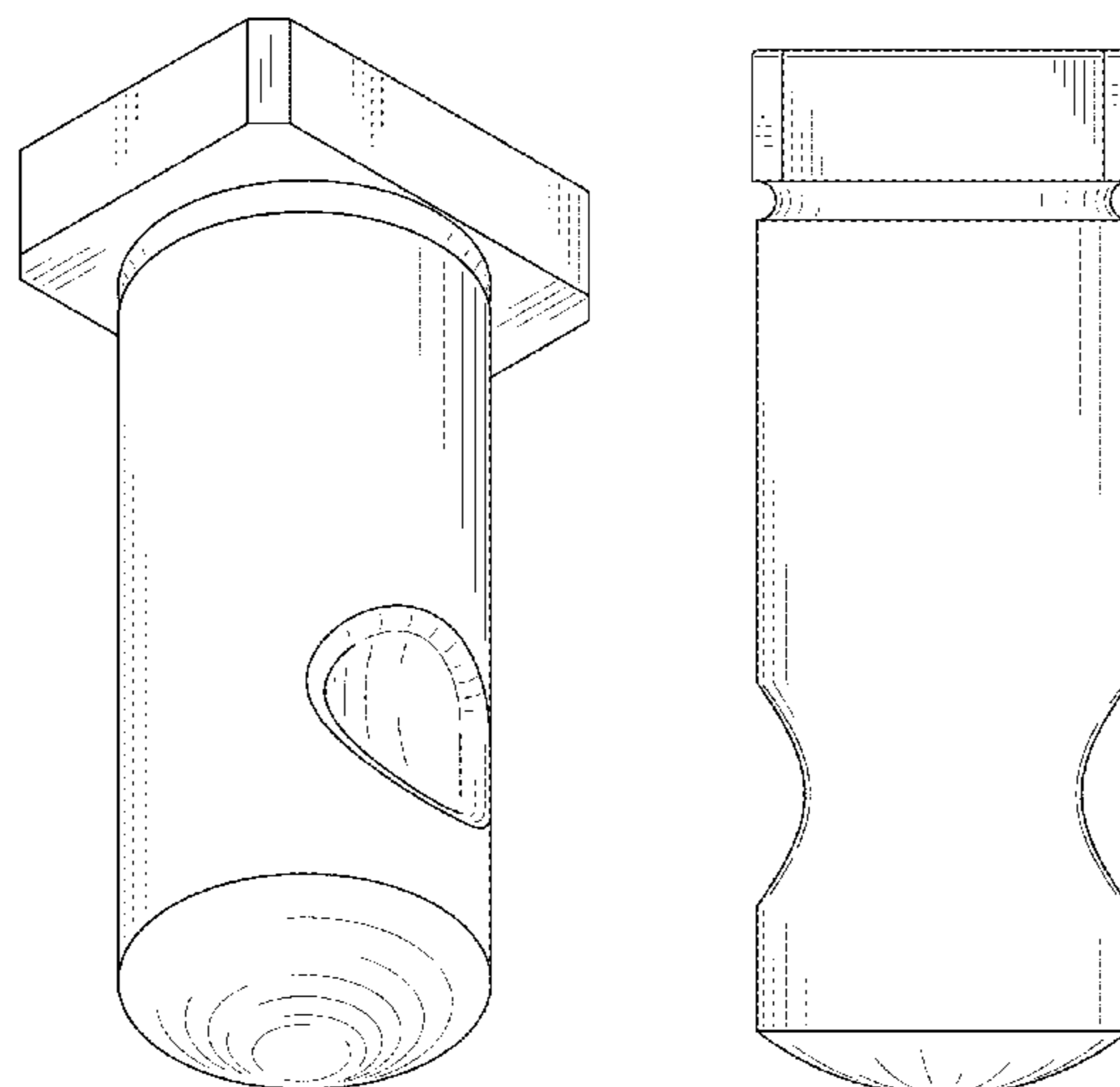
(57) **CLAIM**

The ornamental design for a cam pin, as shown and described.

DESCRIPTION

FIG. 1 is an isometric view of a cam pin according to the present disclosure;
FIG. 2 is a front view of the cam pin of FIG. 1;
FIG. 3 is a rear view of the cam pin of FIG. 1;
FIG. 4 is a right side view of the cam pin of FIG. 1;
FIG. 5 is a left side view of the cam pin of FIG. 1;
FIG. 6 is a top view of the cam pin of FIG. 1; and
FIG. 7 is a bottom view of the cam pin of FIG. 1.

1 Claim, 4 Drawing Sheets



(56)

References Cited

OTHER PUBLICATIONS

Remington Cam Pin, posted at Brownells, posting date Mar. 29, 2017. [Site visited Nov. 21, 2018] URL: <<https://web.archive.org/web/20170329152453/http://www.brownells.com:80/rifle-parts/triggers-parts/trigger-hardware/trigger-components/cam-pin-prod10810.aspx>> (Year: 2017).*

PSA AR15 Cam Pin, posted at Palmetto State Armory, Review posted May 28, 2018. [Site visited Nov. 21, 2018] URL: <<https://palmettostatearmory.com/ar15-cam-pin.hhml>> (Year: 2018).*

AR-15.M16 Cam Pin, posted at Brownells, review posted Jun. 22, 2012. [Site visited Nov. 21, 2018] URL: <<https://www.brownells.com/rifle-parts/bolt-parts/bolt-hardware/cam-pins/ar-15-m16-cam-pin-prod17528.aspx>> (Year: 2012).*

* cited by examiner

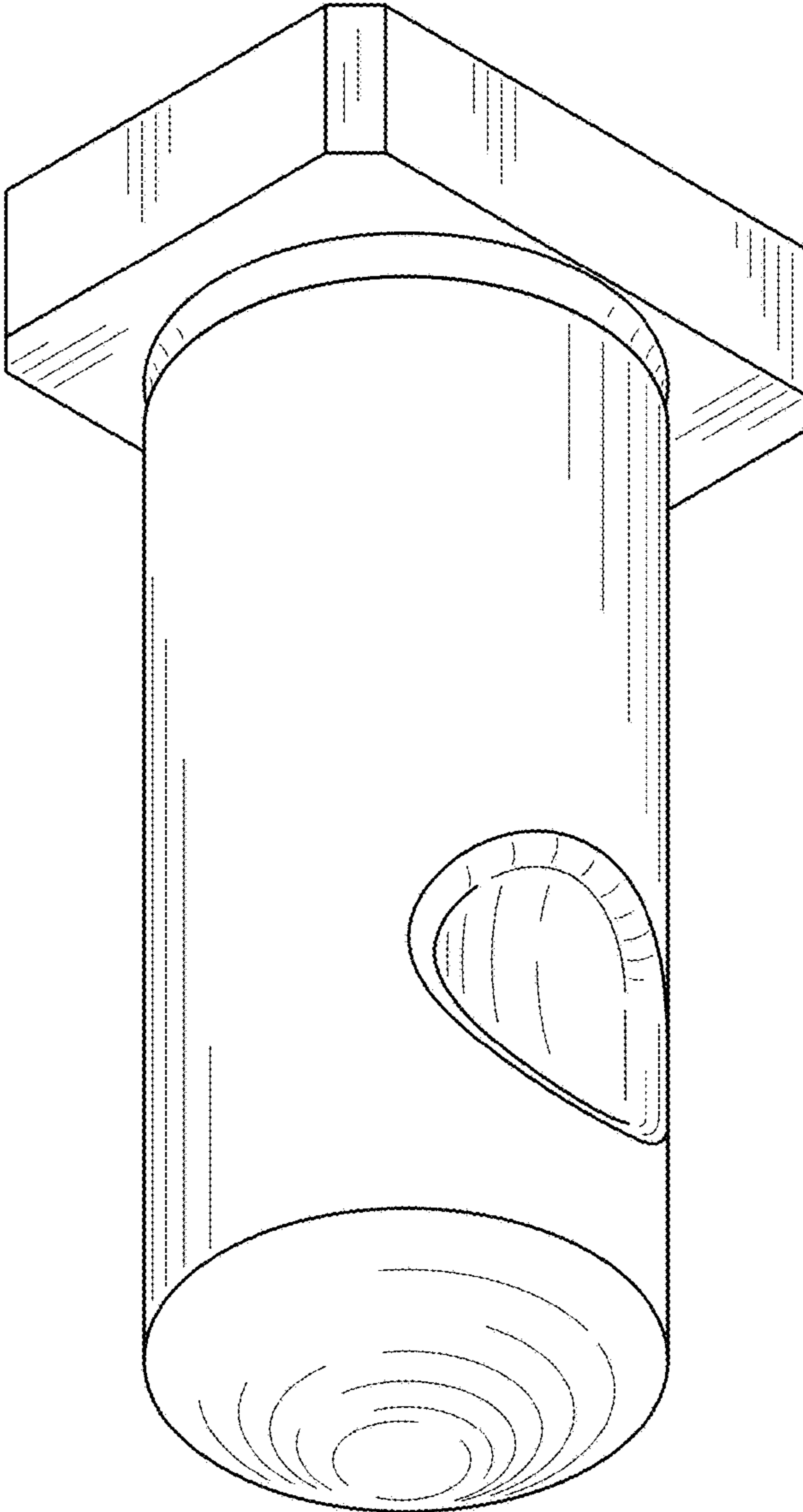


FIG. 1

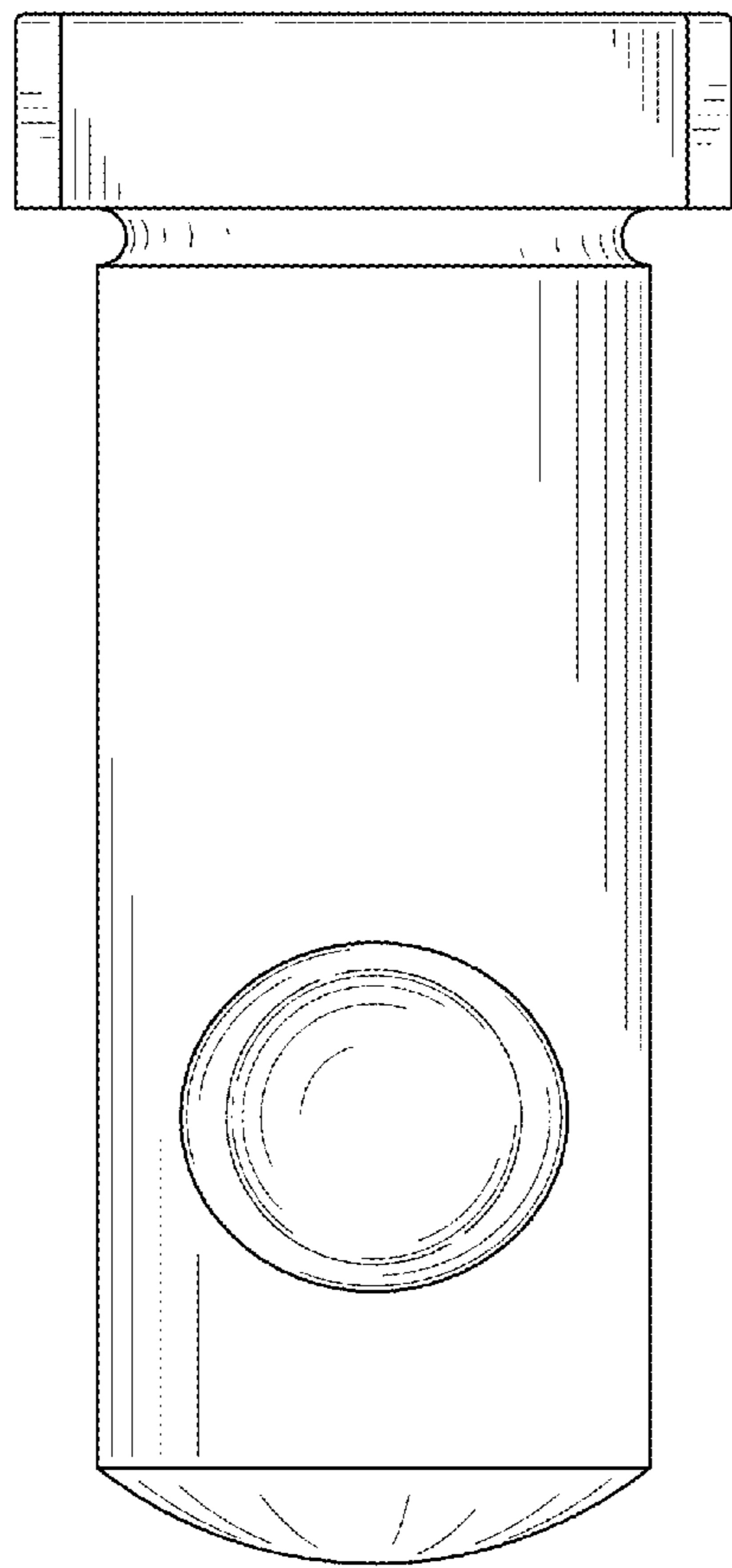


FIG. 2

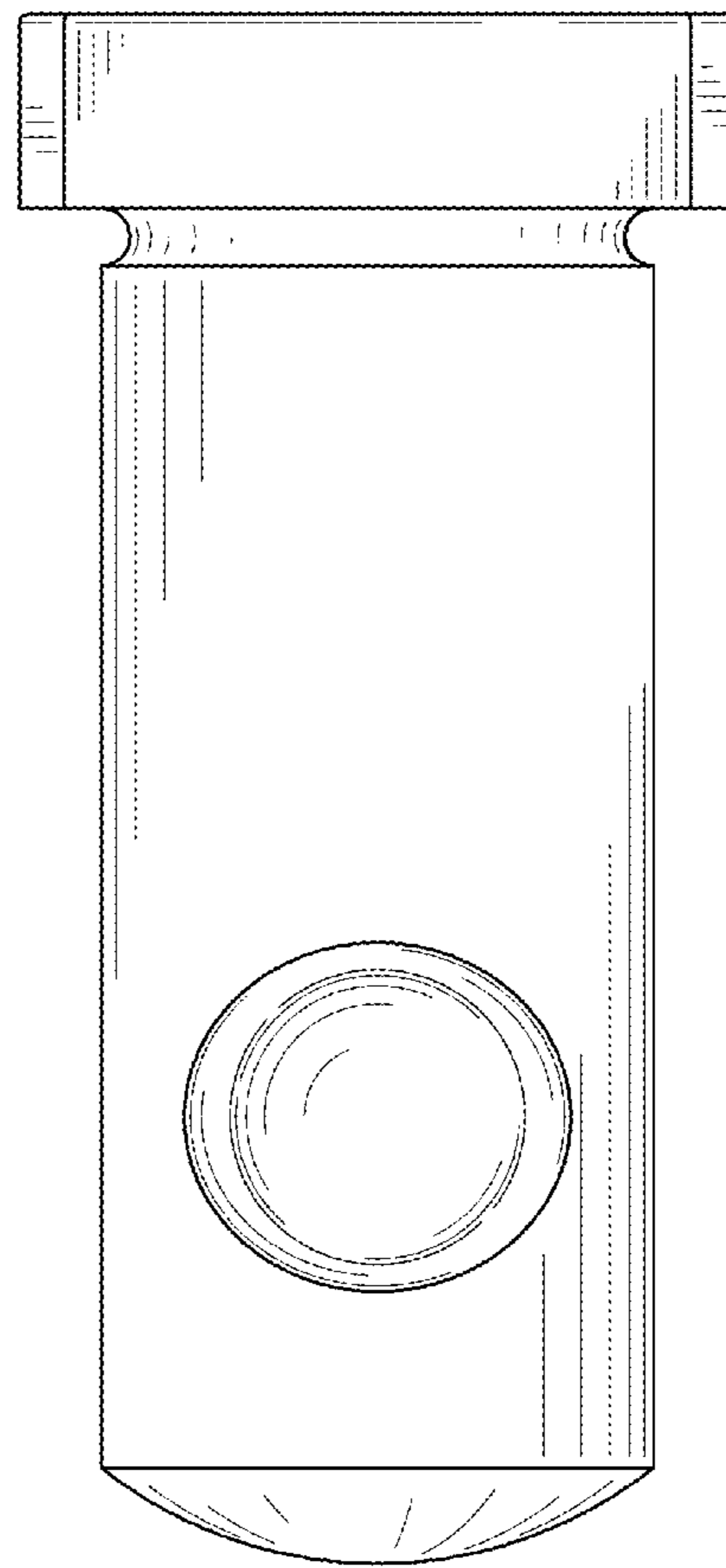


FIG. 3

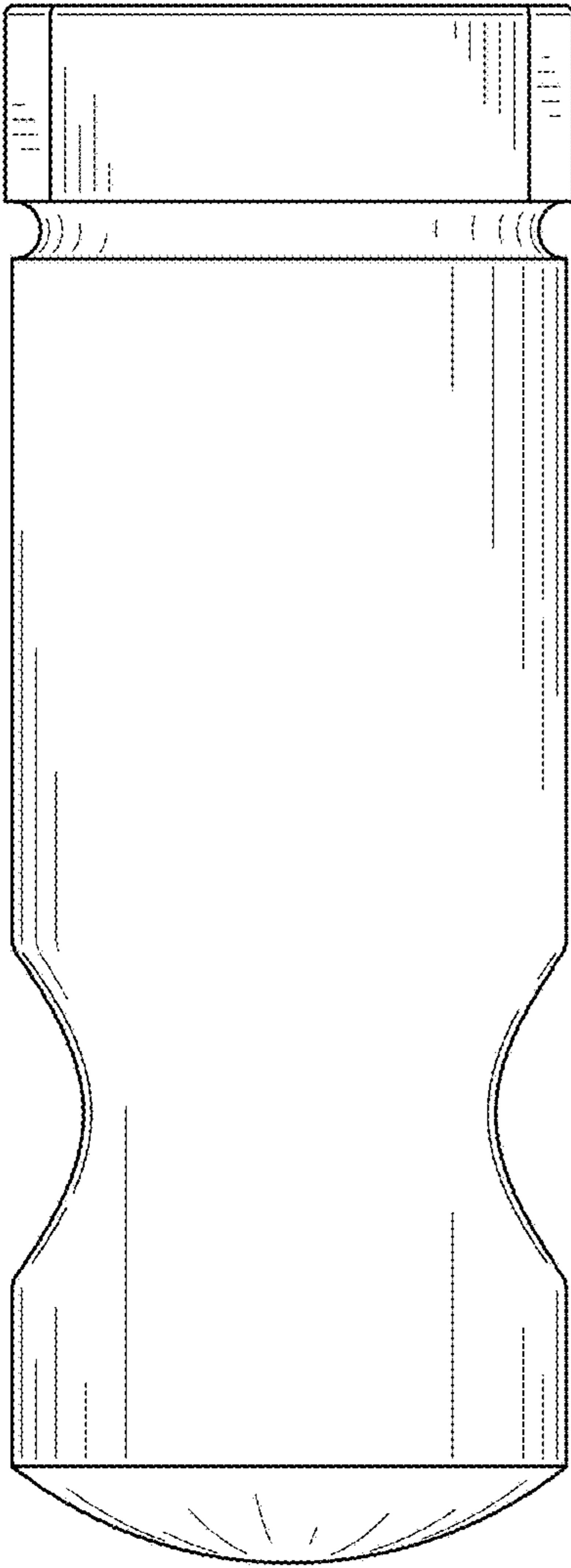


FIG. 4

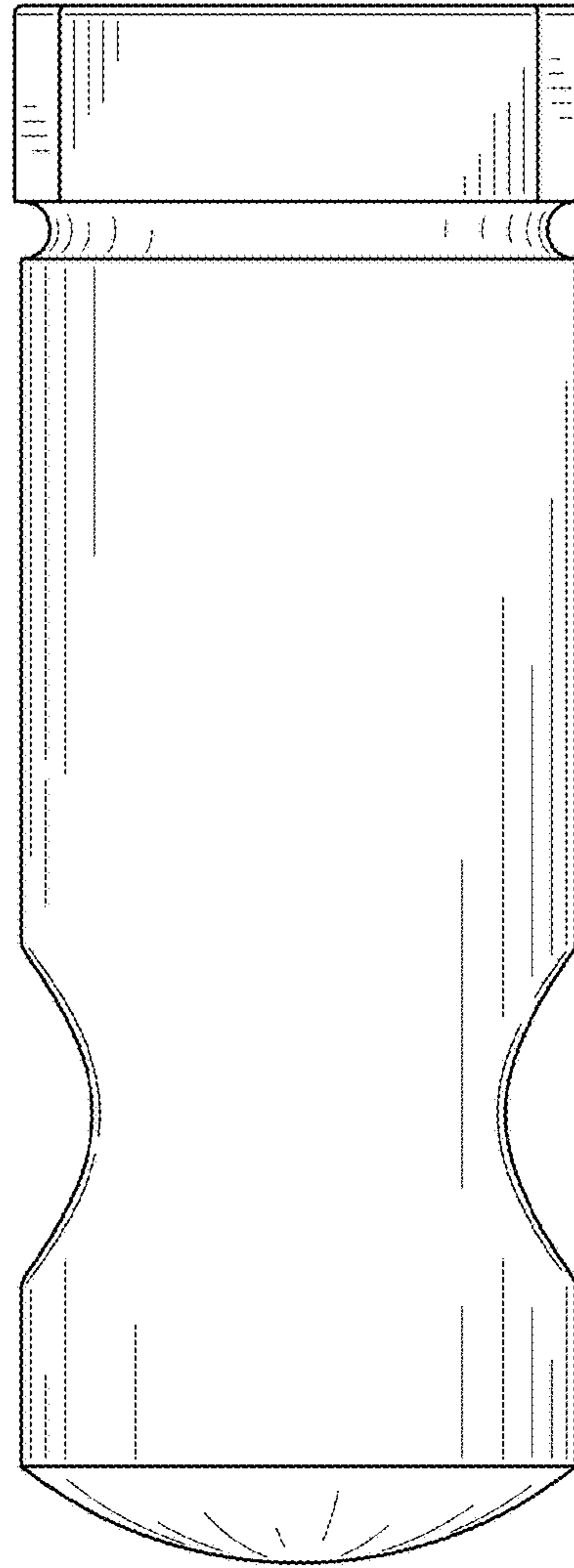


FIG. 5

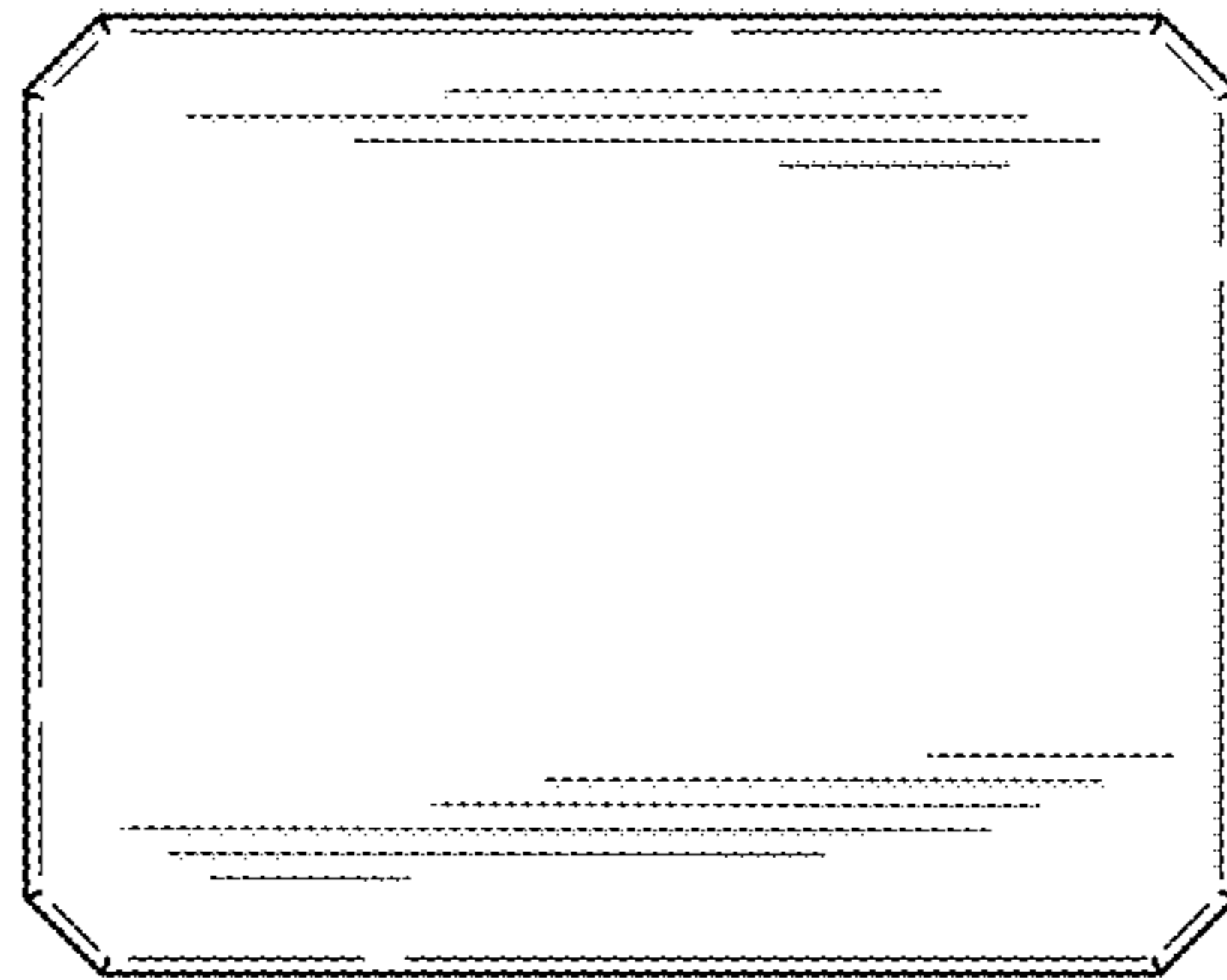


FIG. 6

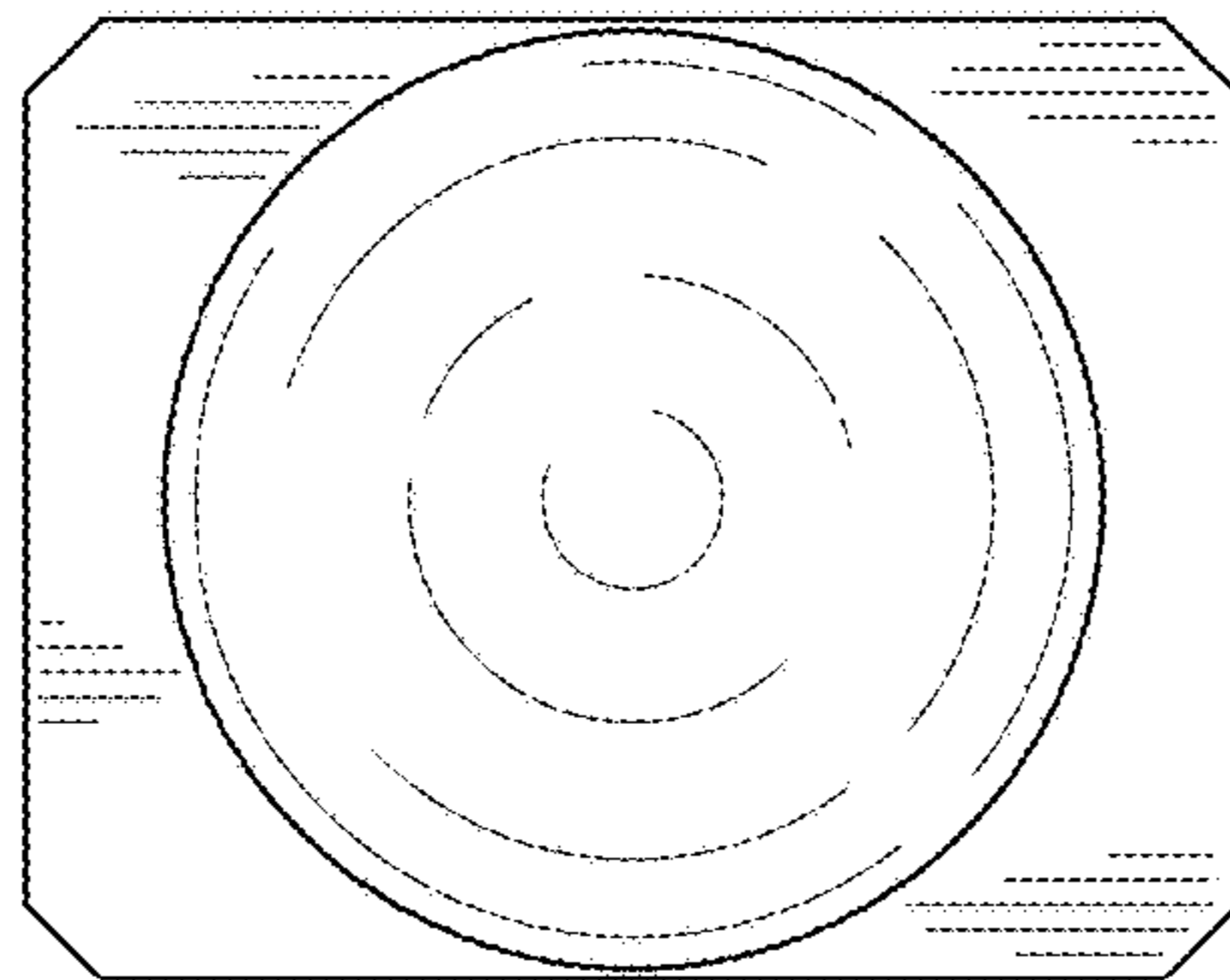


FIG. 7