



US00D851195S

(12) **United States Design Patent**
Anderson

(10) **Patent No.:** **US D851,195 S**
(45) **Date of Patent:** **** Jun. 11, 2019**

- (54) **CANOPY ANCHOR**
- (71) Applicant: **Angelia Anderson**, Owings Mills, MD (US)
- (72) Inventor: **Angelia Anderson**, Owings Mills, MD (US)
- (**) Term: **15 Years**
- (21) Appl. No.: **29/647,616**
- (22) Filed: **May 15, 2018**
- (51) **LOC (11) Cl.** **21-04**
- (52) **U.S. Cl.**
USPC **D21/839**
- (58) **Field of Classification Search**
USPC D21/839; D10/83, 87, 94; D22/145
CPC E04H 15/02; E04H 15/58; E04H 15/60;
E04H 15/62; E04H 15/64; A01K 95/00
See application file for complete search history.

8,312,888	B2	11/2012	Rees, Jr.	
D699,317	S *	2/2014	Garofalo	D22/145
8,714,174	B1	5/2014	DeSousa	
8,789,549	B1 *	7/2014	Barnes	E04H 15/62 135/114
D729,335	S *	5/2015	Mallookis	D21/839
9,404,282	B2	8/2016	Andrews	
9,845,611	B2 *	12/2017	Koerner	E04H 12/2246
9,869,111	B1 *	1/2018	Bailey, Sr.	E04H 15/62
2012/0017960	A1	1/2012	Doell	
2013/0153734	A1 *	6/2013	Lamano	A47G 21/167 248/364
2015/0040957	A1 *	2/2015	Mallookis	E04H 15/32 135/96
2015/0322690	A1	11/2015	Andrews	
2016/0024813	A1	1/2016	Koyl	
2016/0116107	A1 *	4/2016	Brooks	E04H 15/322 248/500

* cited by examiner

Primary Examiner — Cynthia M. Chin

(57) **CLAIM**

I claim the ornamental design for a canopy anchor, as shown and described.

DESCRIPTION

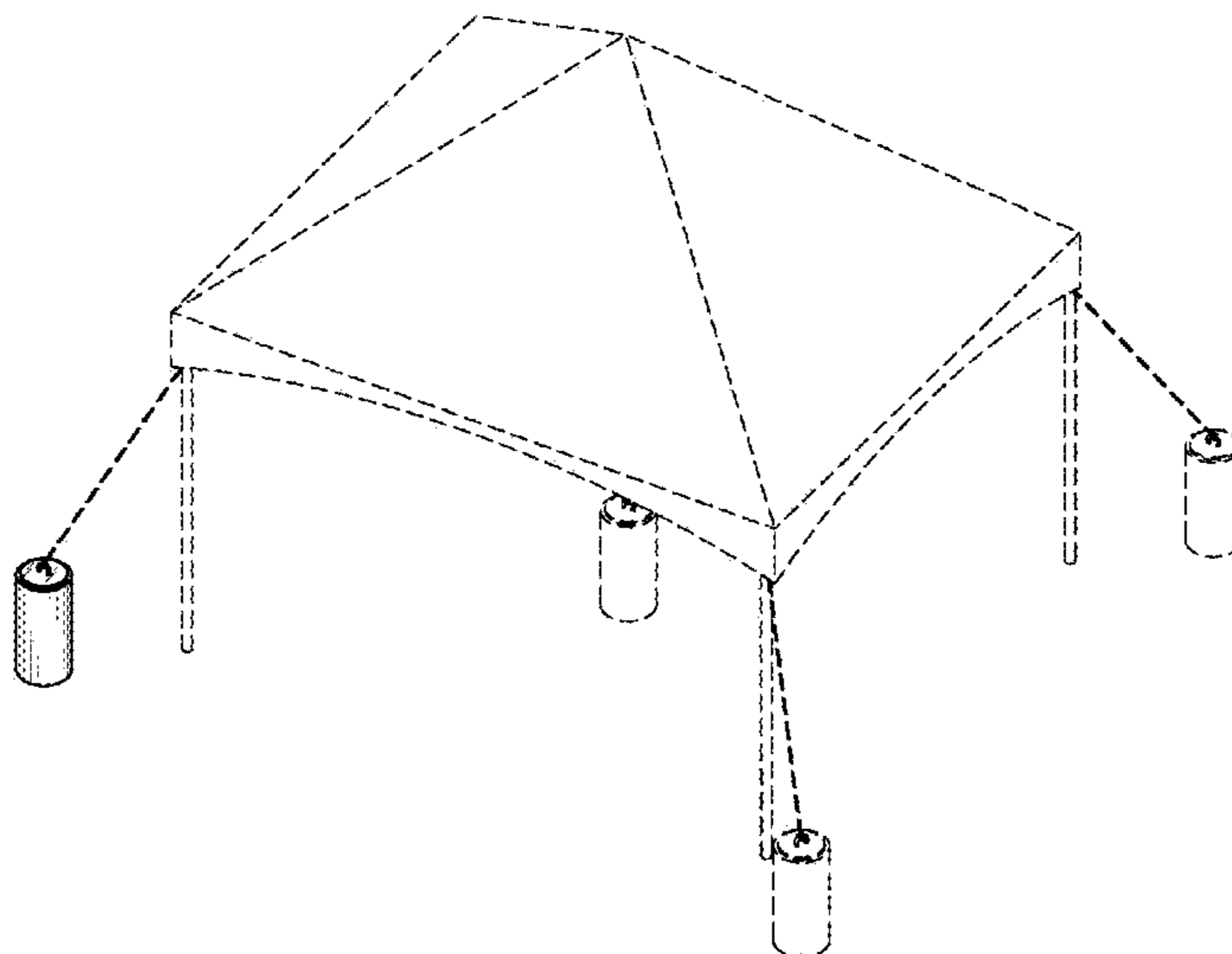
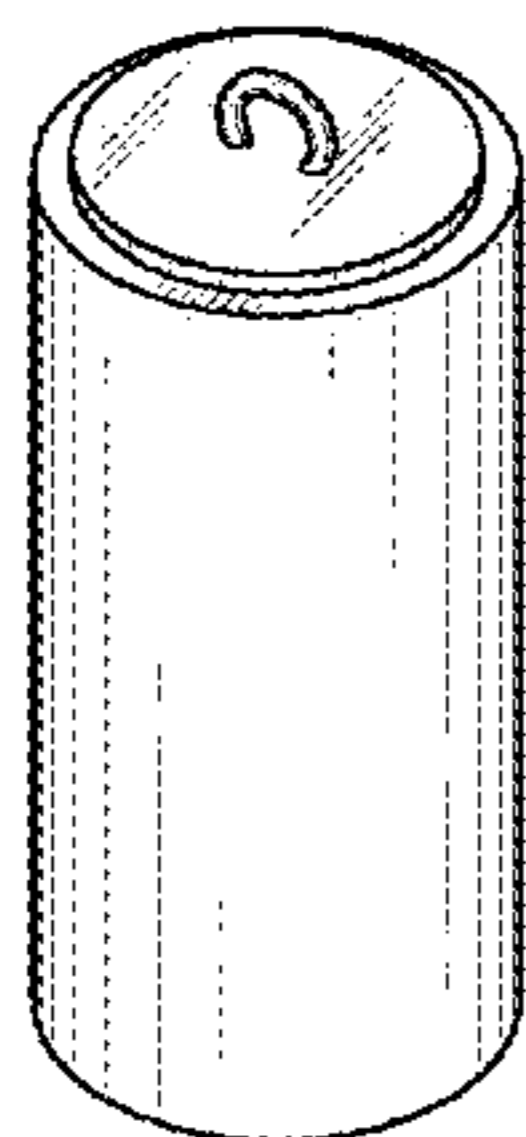
FIG. 1 is a front view of the canopy anchor.
 FIG. 2 is a rear view of the claimed design.
 FIG. 3 is a left side view of the claimed design.
 FIG. 4 is a right side view of the claimed design.
 FIG. 5 is a top view of the claimed design.
 FIG. 6 is a bottom view of the claimed design.
 FIG. 7 is a perspective view of the claimed design; and,
 FIG. 8 is a perspective view of the claimed design showing the end use with a canopy. The broken lines appearing on FIG. 8 of a canopy and lines are environmental matter forming no part of the claimed design.

1 Claim, 3 Drawing Sheets

(56) **References Cited**

U.S. PATENT DOCUMENTS

2,863,253	A *	12/1958	Hettinger	A01K 95/00 43/43.14
3,415,475	A	12/1968	Goodman	
4,040,199	A *	8/1977	Raptis	A01K 95/00 43/43.14
4,138,794	A *	2/1979	Chiodini	A01K 95/00 43/43.14
4,151,974	A *	5/1979	Kuhn	B21D 1/14 248/499
5,660,013	A *	8/1997	Saldarelli	E04H 12/2261 52/296
5,737,883	A *	4/1998	Rose	E04H 12/2276 135/114
6,619,610	B1	9/2003	Genovese	
6,981,680	B1	1/2006	Gordon	
7,946,305	B1 *	5/2011	Mailman	A45B 25/22 135/120.1



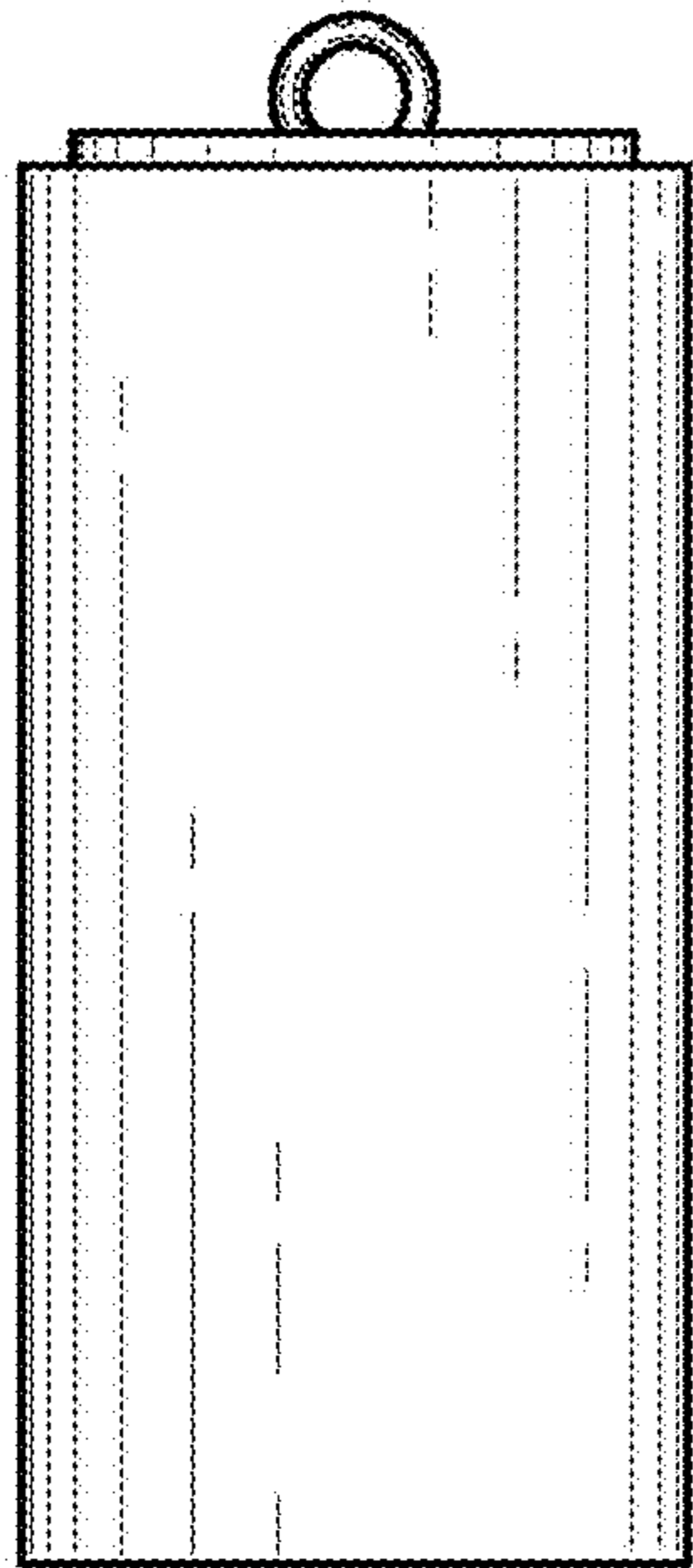


FIG. 1

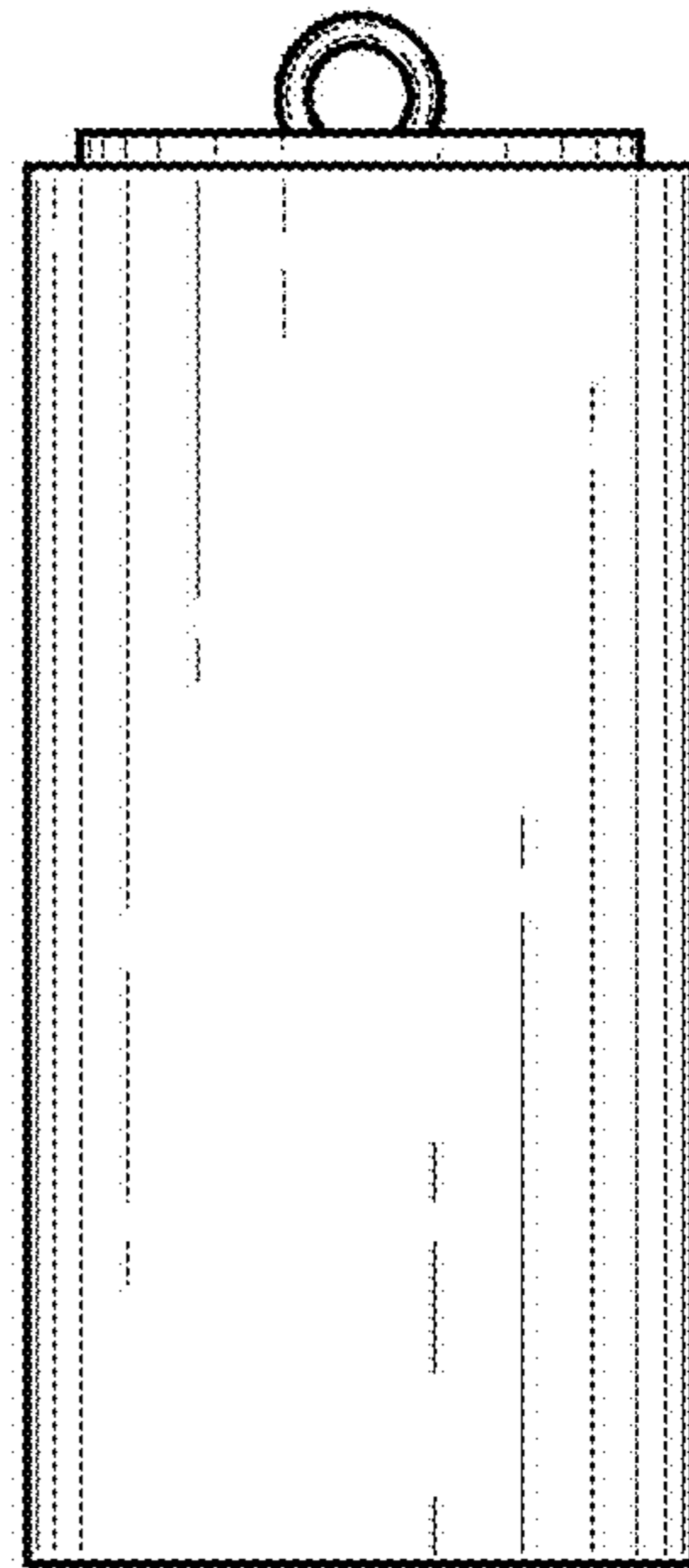


FIG. 2

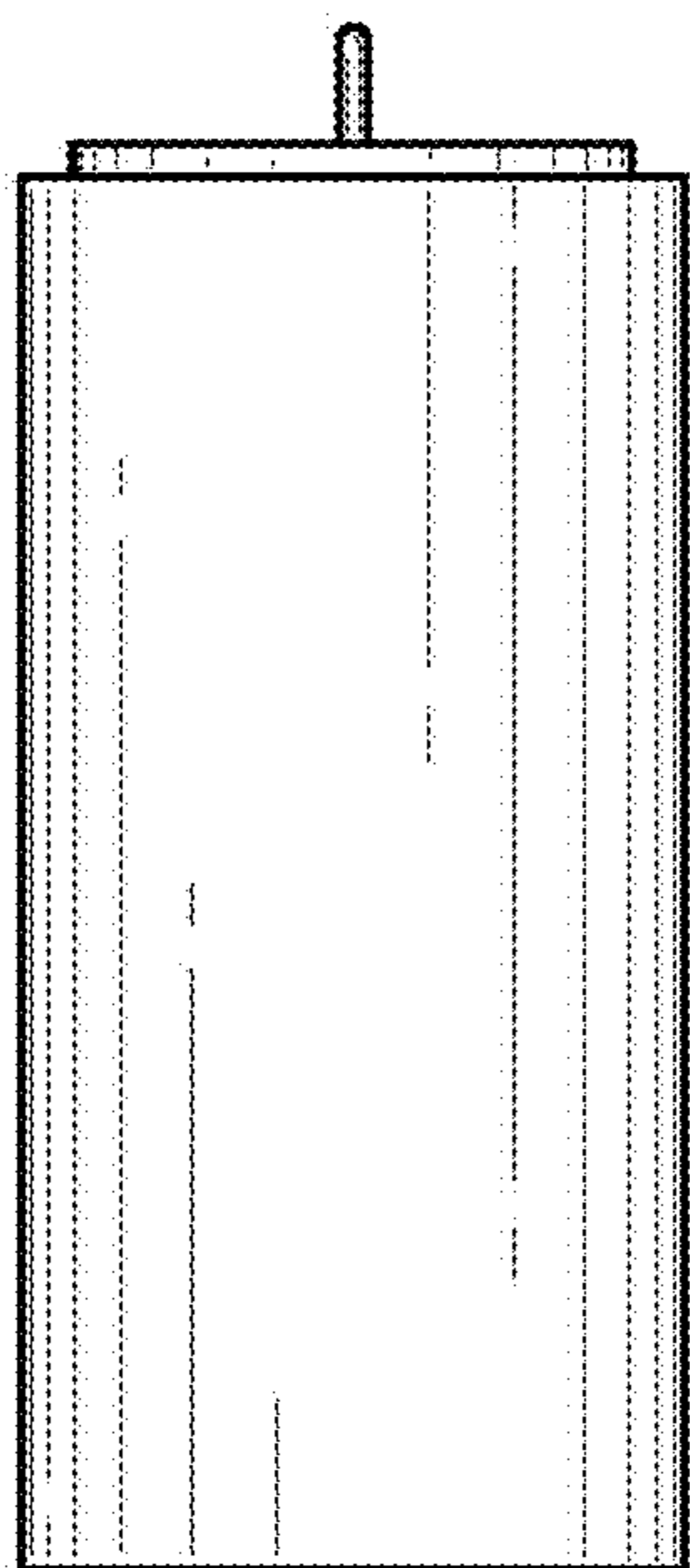


FIG. 3

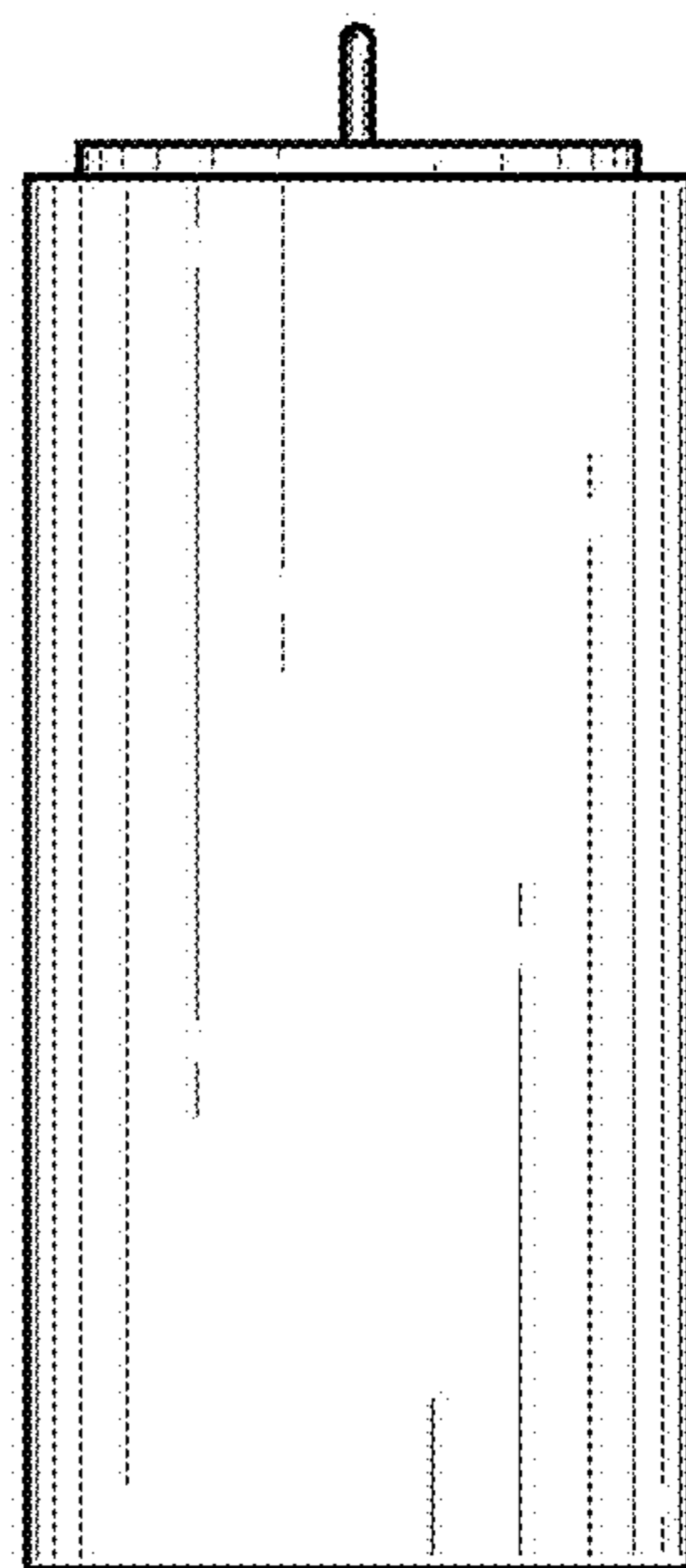


FIG. 4

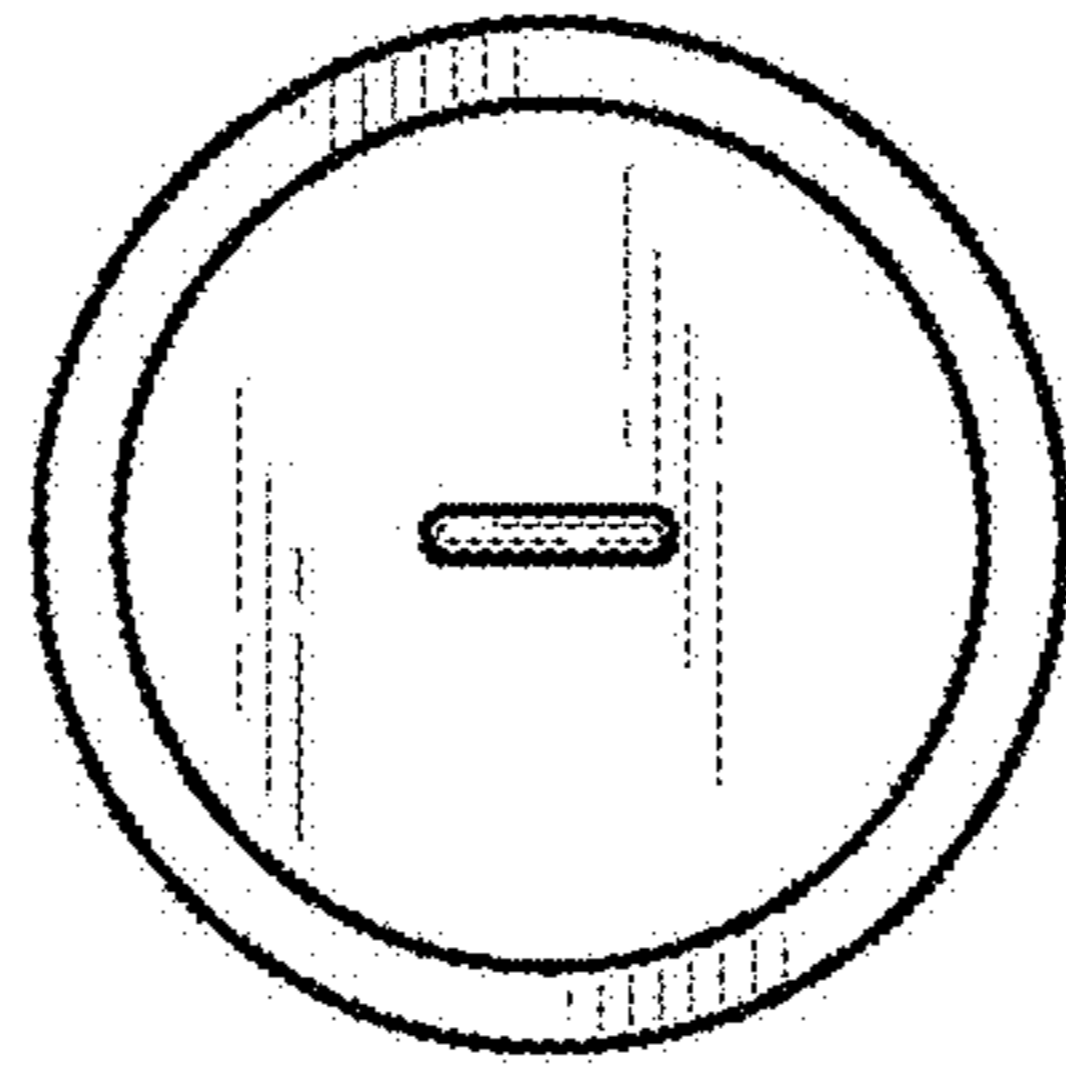


FIG. 5

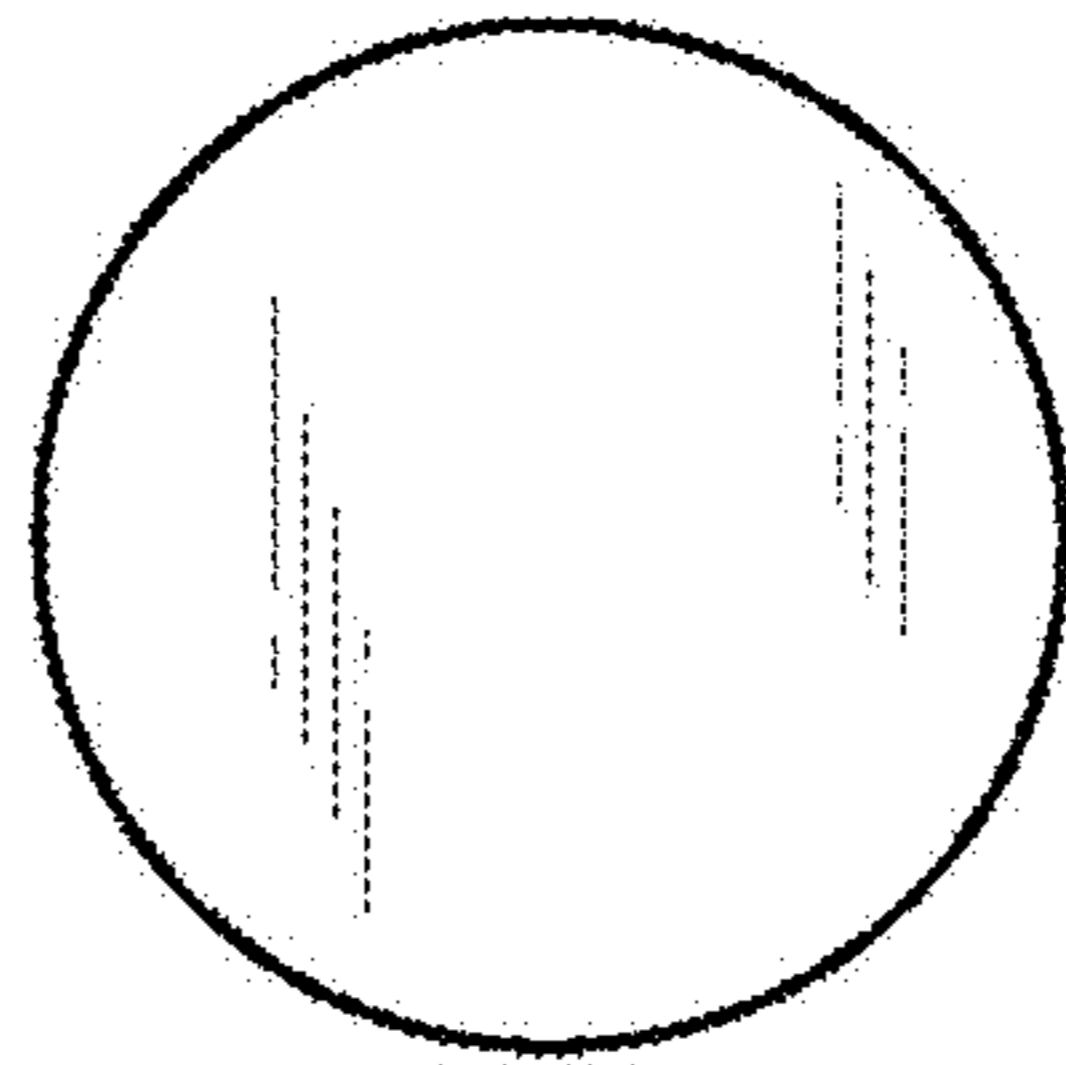


FIG. 6

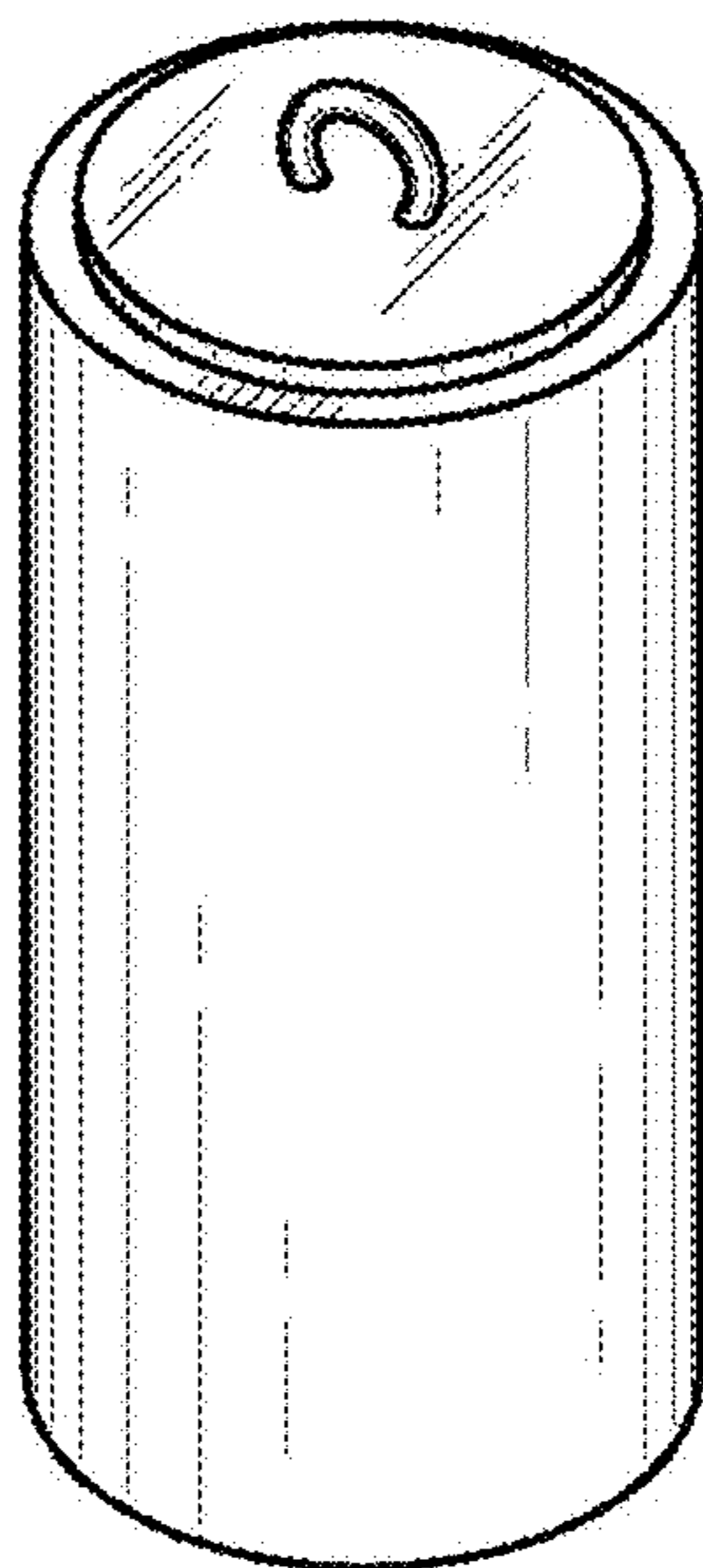


FIG. 7

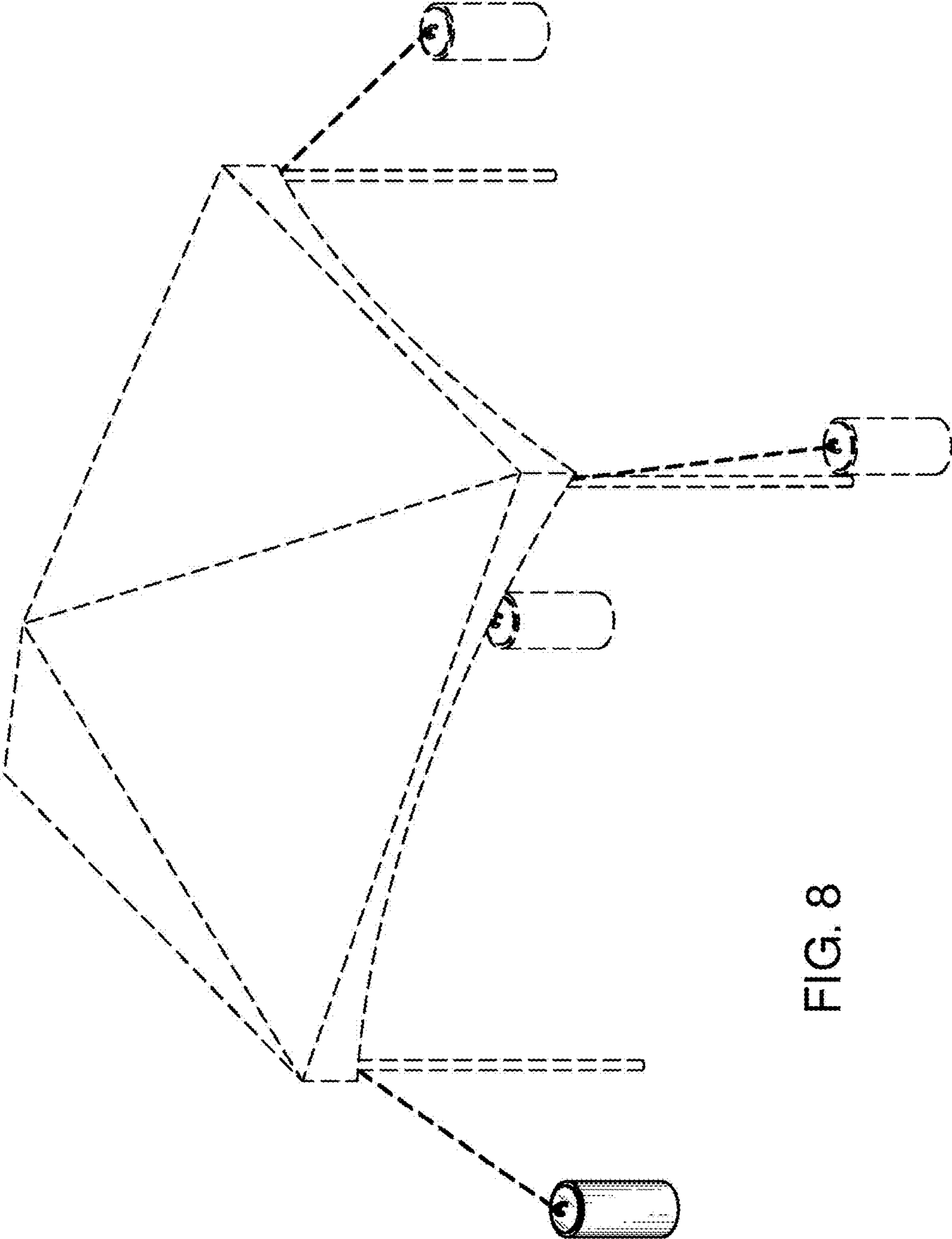


FIG. 8