



US00D851194S

(12) **United States Design Patent**
Kidson et al.

(10) **Patent No.:** **US D851,194 S**
(45) **Date of Patent:** **** Jun. 11, 2019**

(54) **INFLATABLE CAMPER TENT**
(71) Applicant: **Purple Line LLC**, Pittsburg, CA (US)
(72) Inventors: **Mark Kidson**, Wherstead (GB);
Jonathan Harrison, Wherstead (GB);
Paul Liner, Pittsburg, CA (US)
(73) Assignee: **PURPLE LINE LLC**, Pittsburg, CA
(US)

(**) Term: **15 Years**

(21) Appl. No.: **29/575,619**

(22) Filed: **Aug. 26, 2016**

(30) **Foreign Application Priority Data**

Apr. 11, 2016 (AU) 201611942

(51) **LOC (11) Cl.** **21-04**

(52) **U.S. Cl.**
USPC **D21/835; D12/103**

(58) **Field of Classification Search**
USPC D21/834, 838, 839; D12/103, 403
CPC E04H 15/06; E04H 15/20; E04H 15/32;
E04H 15/324; E04H 15/36; E04H 15/40;
E04H 2015/201

See application file for complete search history.

(56) **References Cited**

U.S. PATENT DOCUMENTS

2,752,928 A * 7/1956 Barker E04H 15/20
52/2.21
2,819,724 A * 1/1958 Barker E04H 9/16
52/2.18
4,197,681 A * 4/1980 Holcombe E04C 3/005
135/119

D300,649 S * 4/1989 Tauer D21/835
5,636,478 A * 6/1997 Chen E04H 15/20
135/116
5,987,822 A * 11/1999 McNiff E04H 15/20
135/125
D482,423 S * 11/2003 Newsome D21/835
8,562,066 B2 * 10/2013 Holtkamp B60P 3/341
296/156
D735,634 S * 8/2015 Taylor D12/403
2003/0116182 A1 * 6/2003 Ueda E04H 15/20
135/124
2008/0210282 A1 * 9/2008 Turcot E04H 15/06
135/88.14

* cited by examiner

Primary Examiner — Cynthia M. Chin

(74) *Attorney, Agent, or Firm* — Dunlap Bennett &
Ludwig PLLC

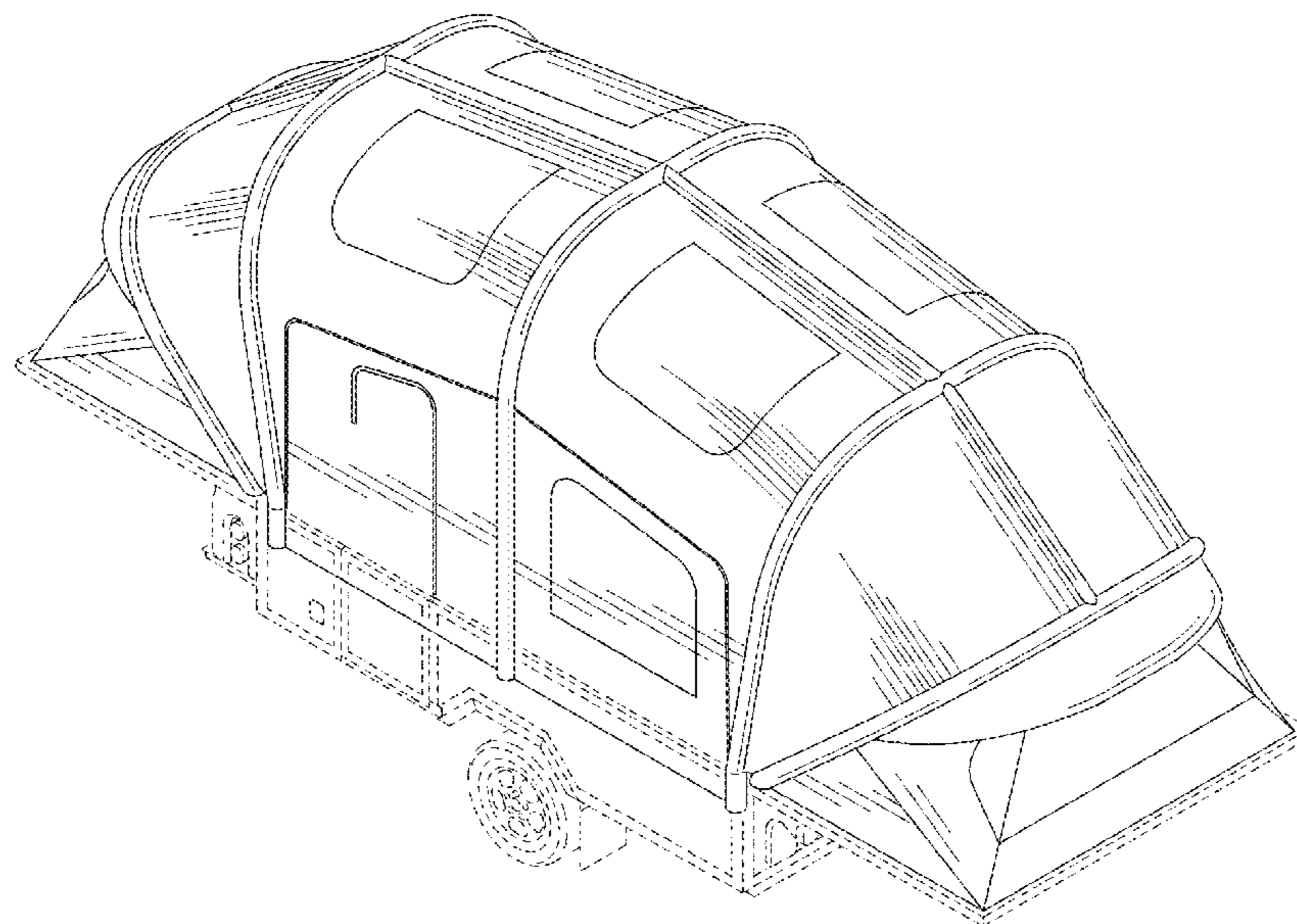
(57) **CLAIM**

The ornamental design for an inflatable camper tent, as shown and described.

DESCRIPTION

FIG. 1 is a top front perspective view of an inflatable camper tent, showing my new design;
FIG. 2 is a front elevation view of FIG. 1;
FIG. 3 is a rear elevation view of FIG. 1;
FIG. 4 is a top plan view of FIG. 1;
FIG. 5 is a bottom plan view of FIG. 1; and,
FIG. 6 is a right side elevation view of FIG. 1, the left side elevation view being a mirror image thereof.
The broken lines shown in the drawings depict portions of the inflatable camper tent that form no part of the claimed design.

1 Claim, 4 Drawing Sheets



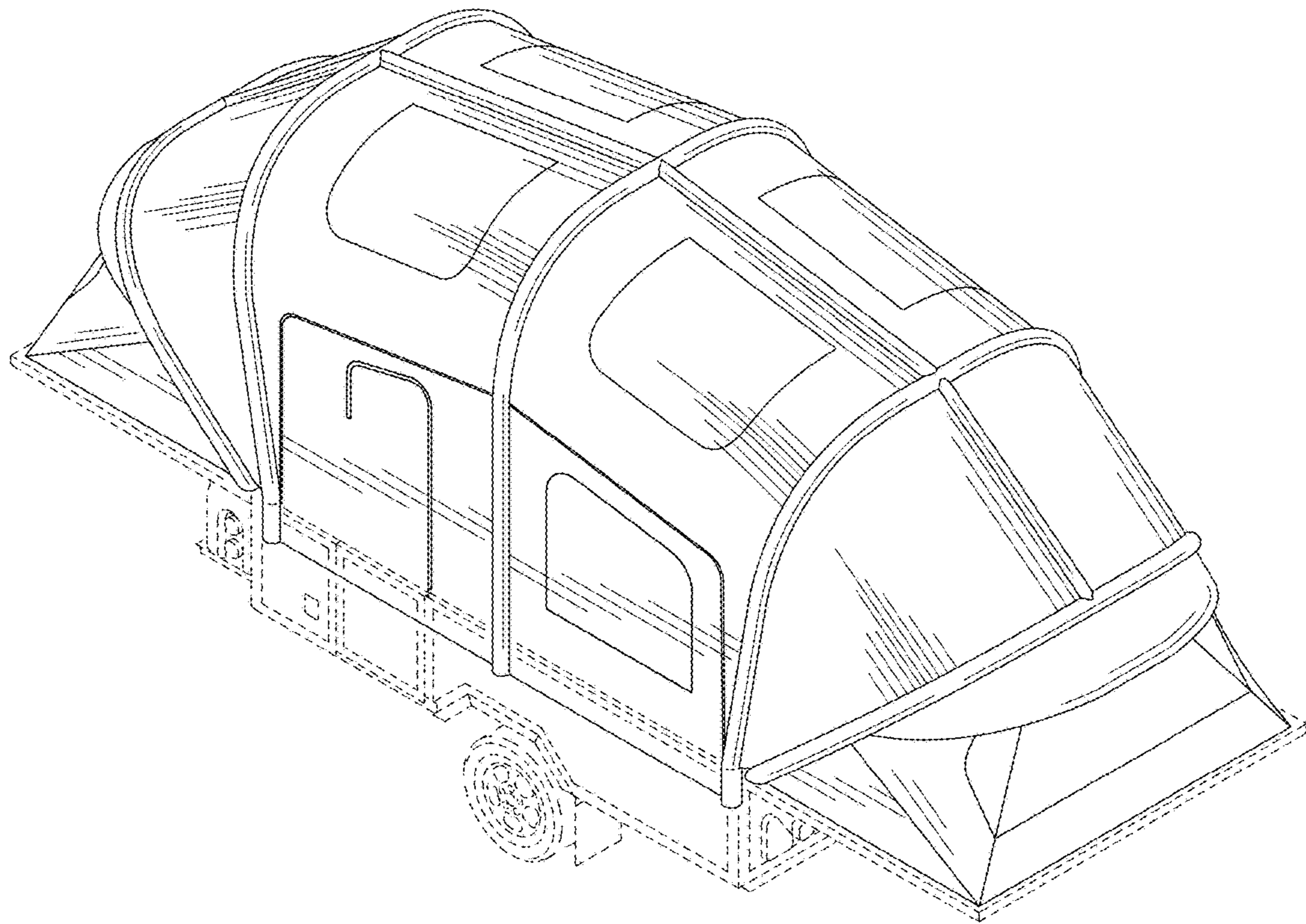


FIG. 1

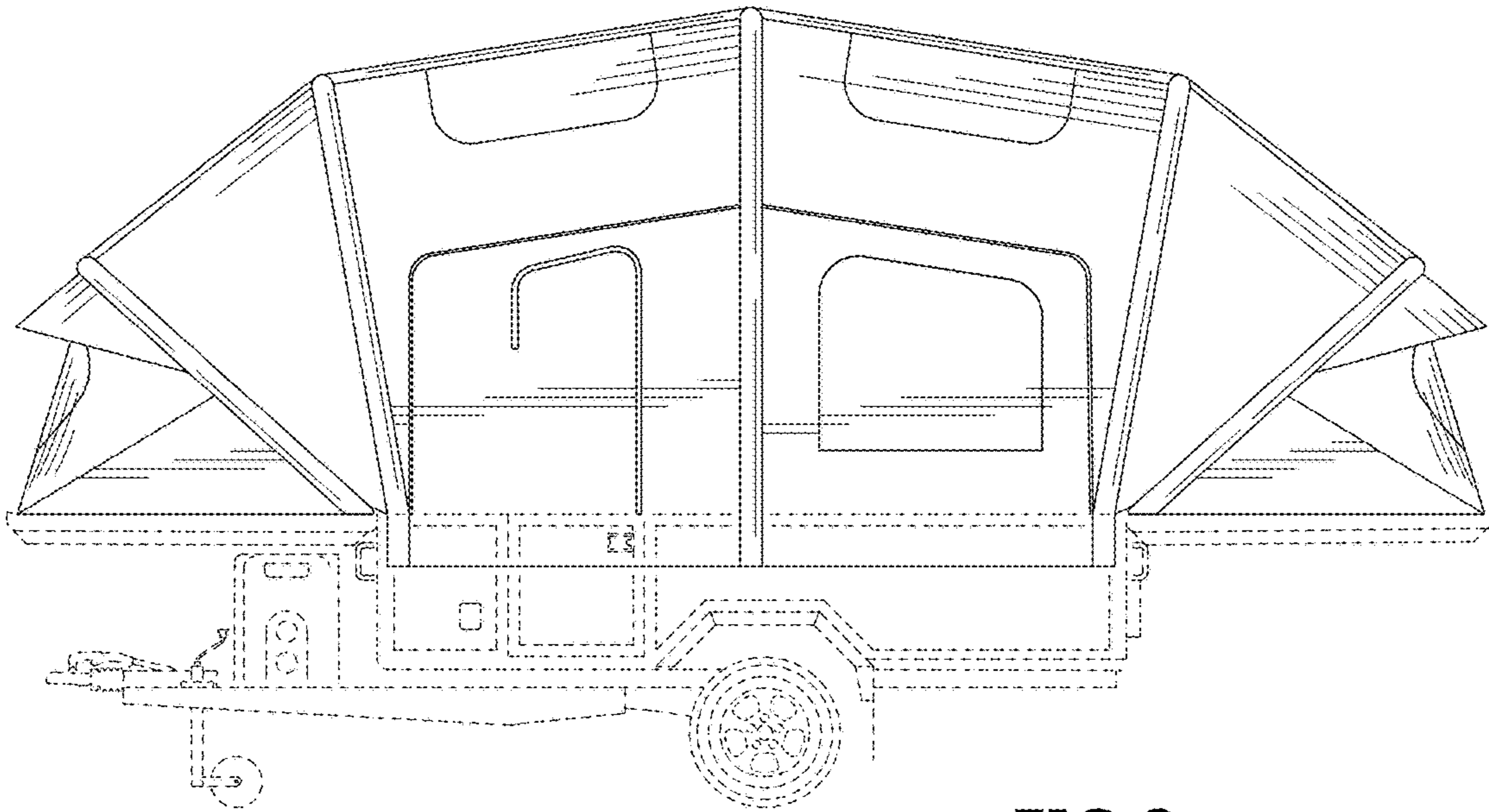


FIG. 2

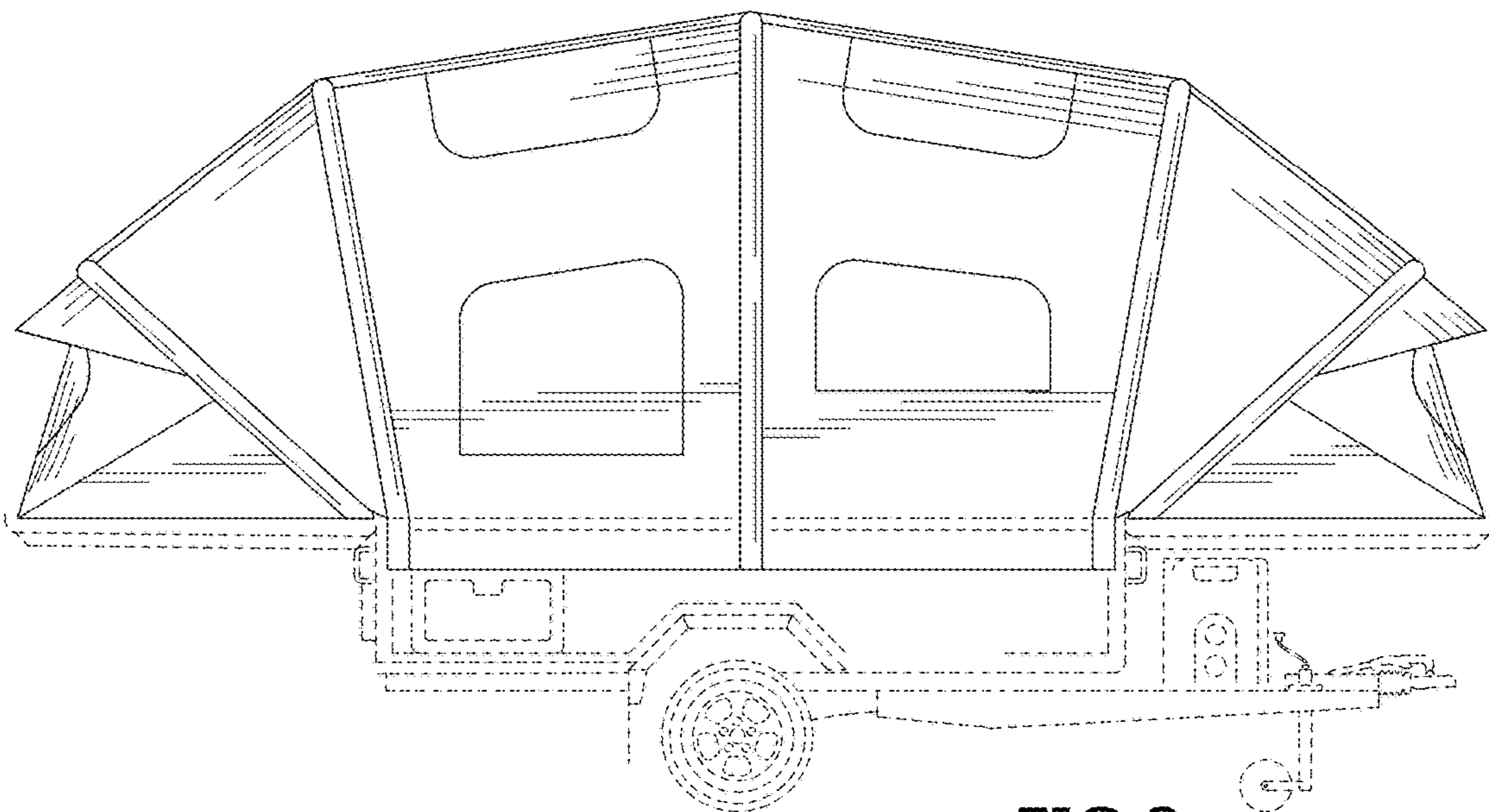


FIG. 3

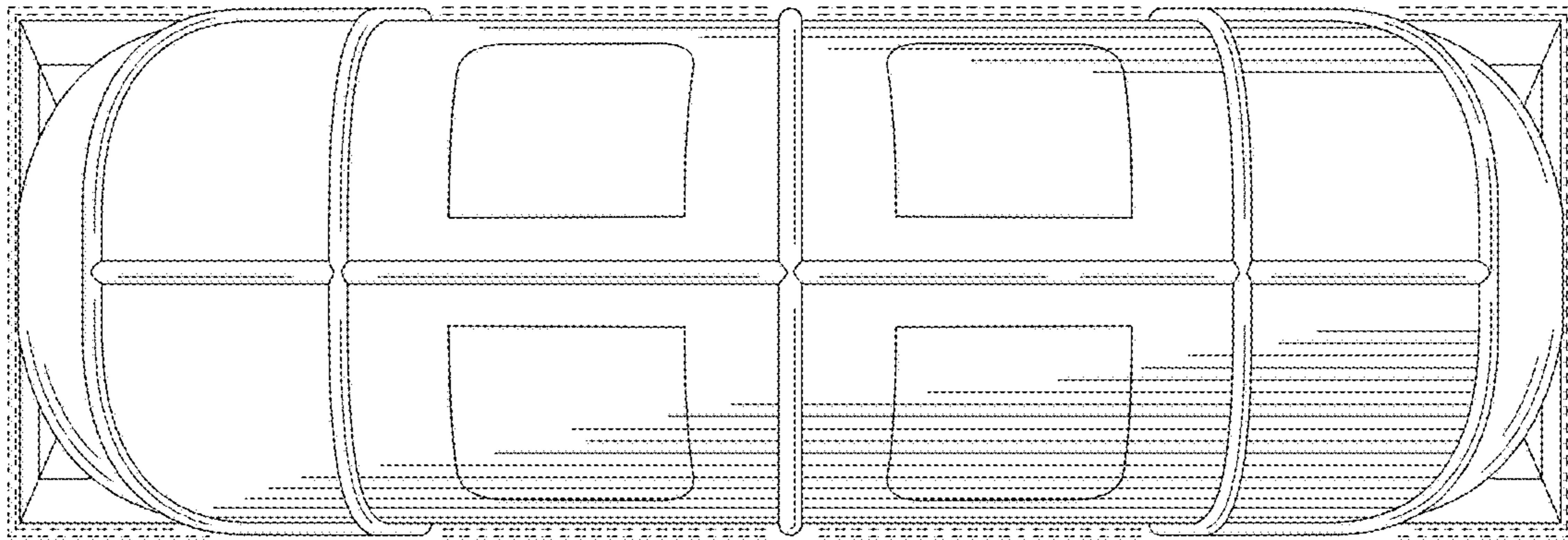


FIG. 4

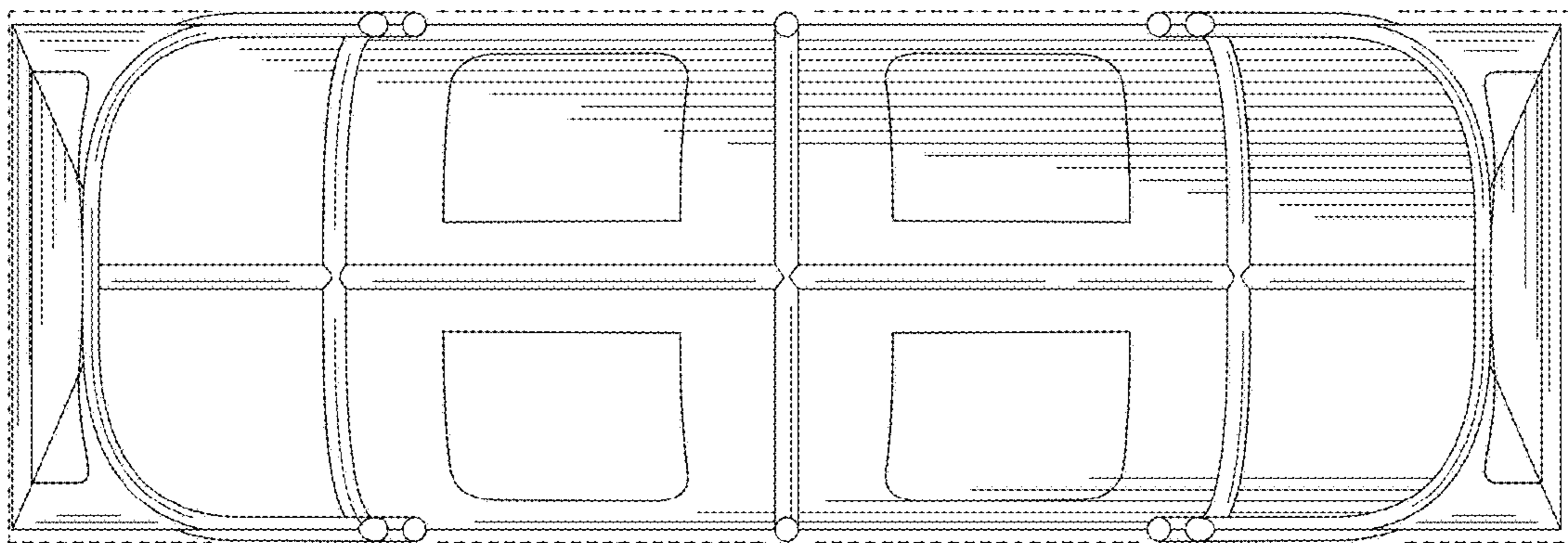


FIG. 5

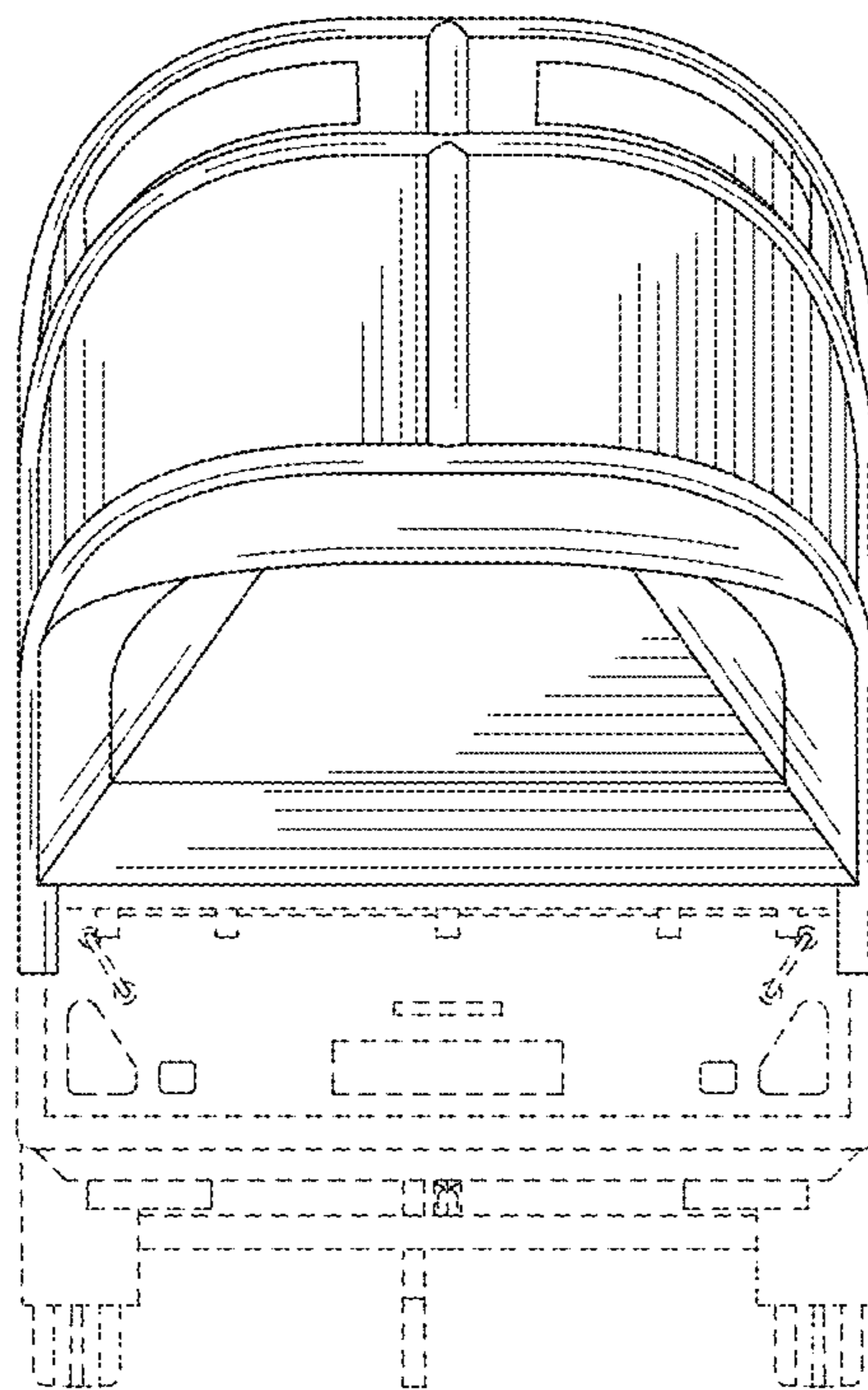


FIG.6