



US00D851190S

(12) **United States Design Patent**
Seaman et al.

(10) **Patent No.:** **US D851,190 S**
(45) **Date of Patent:** **** Jun. 11, 2019**

(54) **TRAMPOLINE TENSIONER**
(71) Applicant: **Action Sports Equipment Pty Ltd.,**
Silverwater (AU)
(72) Inventors: **Robert Brian Seaman,** Silverwater
(AU); **David Andrew Jones,**
Silverwater (AU); **Murray David**
Kirby Hunter, Silverwater (AU); **Lee**
David Blattmann, Silverwater (AU)

(73) Assignee: **Action Sports Equipment Pty Ltd.,**
Silverwater (AU)

(**) Term: **15 Years**

(21) Appl. No.: **29/606,708**

(22) Filed: **Jun. 7, 2017**

(30) **Foreign Application Priority Data**

Dec. 9, 2016 (AU) 201616954

(51) **LOC (11) Cl.** **21-01**

(52) **U.S. Cl.**
USPC **D21/797**

(58) **Field of Classification Search**
USPC D21/797; D8/44, 331, 394; D17/22
CPC A63B 5/11; A63B 6/00; A63B 21/023;
A63B 65/00; B25B 7/036
See application file for complete search history.

(56) **References Cited**

U.S. PATENT DOCUMENTS

3,356,366 A 12/1967 Barthel
3,711,092 A * 1/1973 Hogue A63B 69/0097
473/435
4,976,022 A * 12/1990 Thornton B25B 27/306
29/227

5,477,599 A * 12/1995 Blanchard B25B 27/306
254/10.5
5,664,784 A * 9/1997 Redlich A63B 63/00
273/396
7,758,471 B2 * 7/2010 Nelson A63B 5/11
482/27

(Continued)

FOREIGN PATENT DOCUMENTS

AU 322533 12/2008
EP 2821111 A1 7/2013
WO WO2015100466 A1 7/2015

Primary Examiner — Philip S Hyder
(74) *Attorney, Agent, or Firm* — James L. Young;
Westman, Champlin & Koehler, P.A.

(57) **CLAIM**

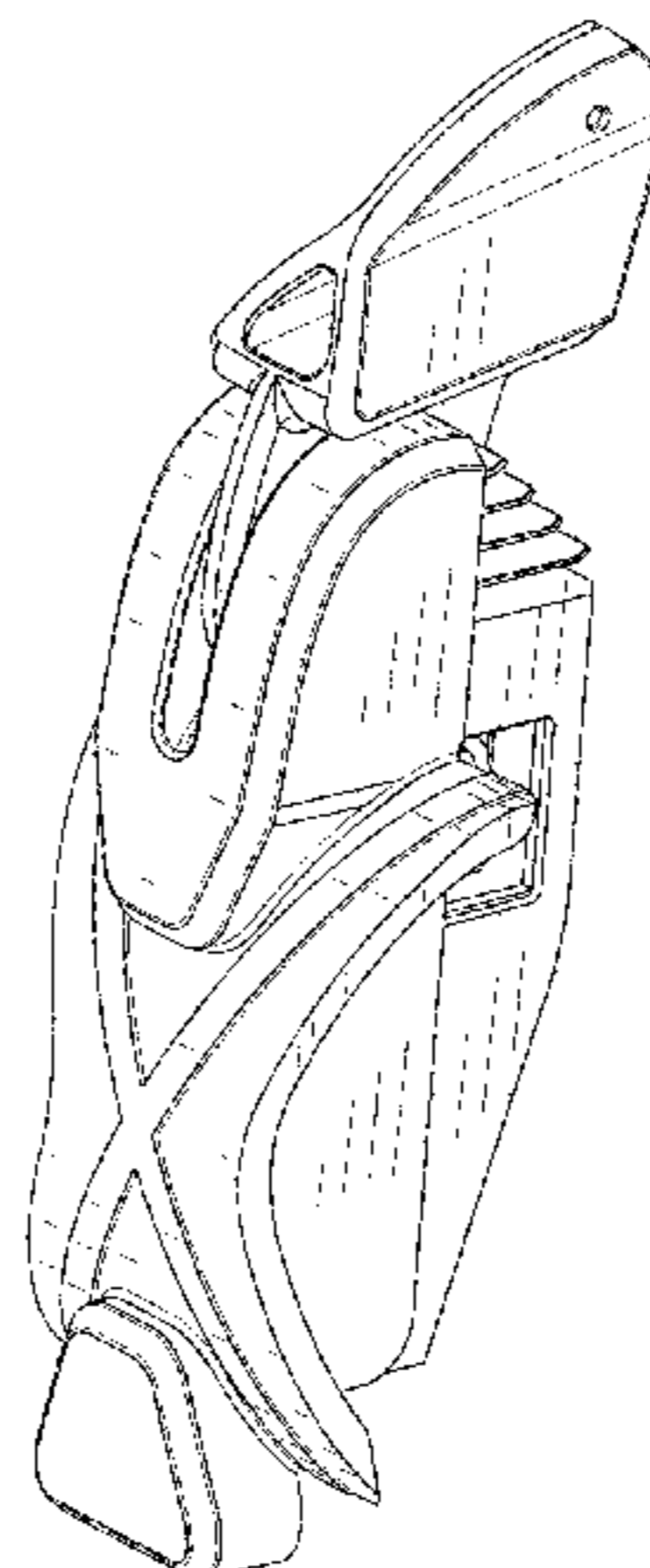
The ornamental design for a trampoline tensioner, as shown and described.

DESCRIPTION

FIG. 1 is a perspective view of a trampoline tensioner;
FIG. 2 is a front elevational view of the trampoline tensioner of FIG. 1;
FIG. 3 is a rear elevational view of the trampoline tensioner of FIG. 1;
FIG. 4 is a left side elevational view of the trampoline tensioner of FIG. 1;
FIG. 5 is a right side elevational view of the trampoline tensioner of FIG. 1;
FIG. 6 is a rear elevational view of the trampoline tensioner of FIG. 1, shown in a mounted position relative to its environment;
FIG. 7 is a top view of the trampoline tensioner of FIG. 1;
FIG. 8 is a bottom view of the trampoline tensioner of FIG. 1; and,
FIG. 9 is a perspective view of the trampoline tensioner of FIG. 1, shown in a mounted position relative to its environment.

The broken lines shown in the FIGS. are for illustrative purposes only and form no part of the claimed design.

1 Claim, 8 Drawing Sheets



(56)

References Cited

U.S. PATENT DOCUMENTS

D622,568 S * 8/2010 Sanchez D8/44
8,038,580 B2 * 10/2011 Pieper Genannt Schmauck
A63B 5/11
482/27
8,303,469 B2 11/2012 Alexander
D765,905 S * 9/2016 Oldani D26/113
D779,306 S * 2/2017 Finkelstein D8/331
2016/0107016 A1 4/2016 Haggerty
2016/0166869 A1 6/2016 Choi

* cited by examiner

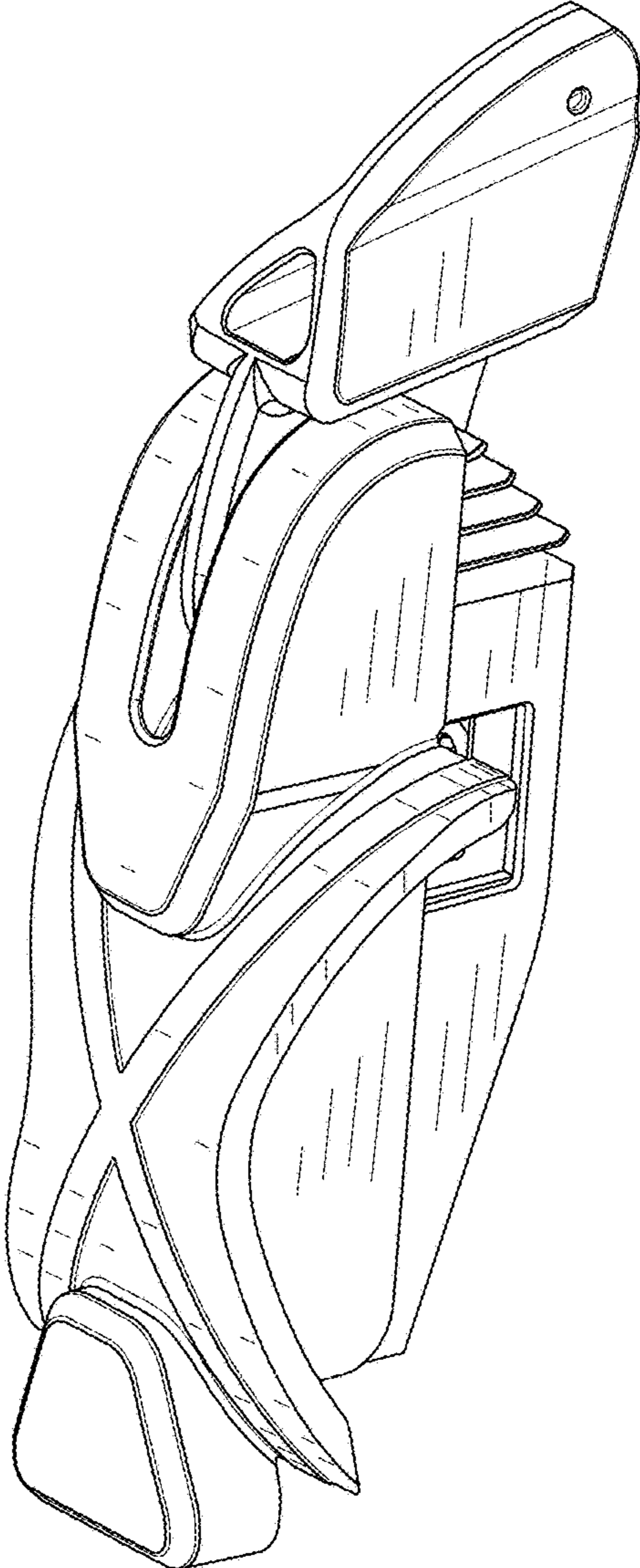


FIG. 1

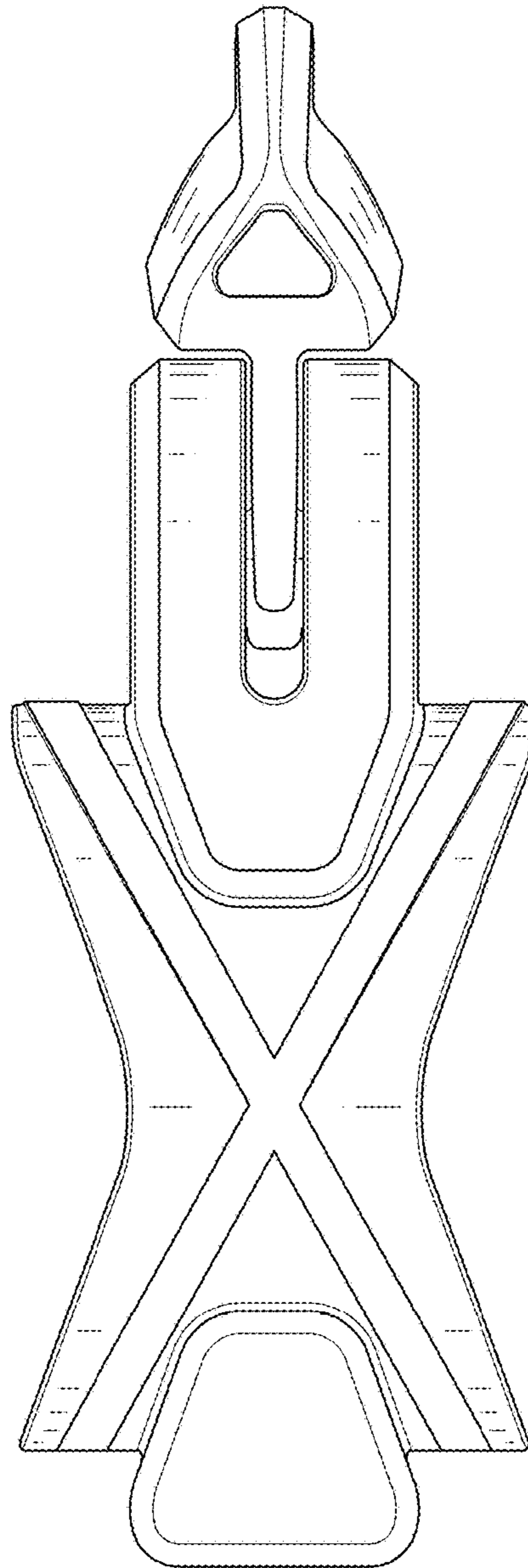


FIG. 2

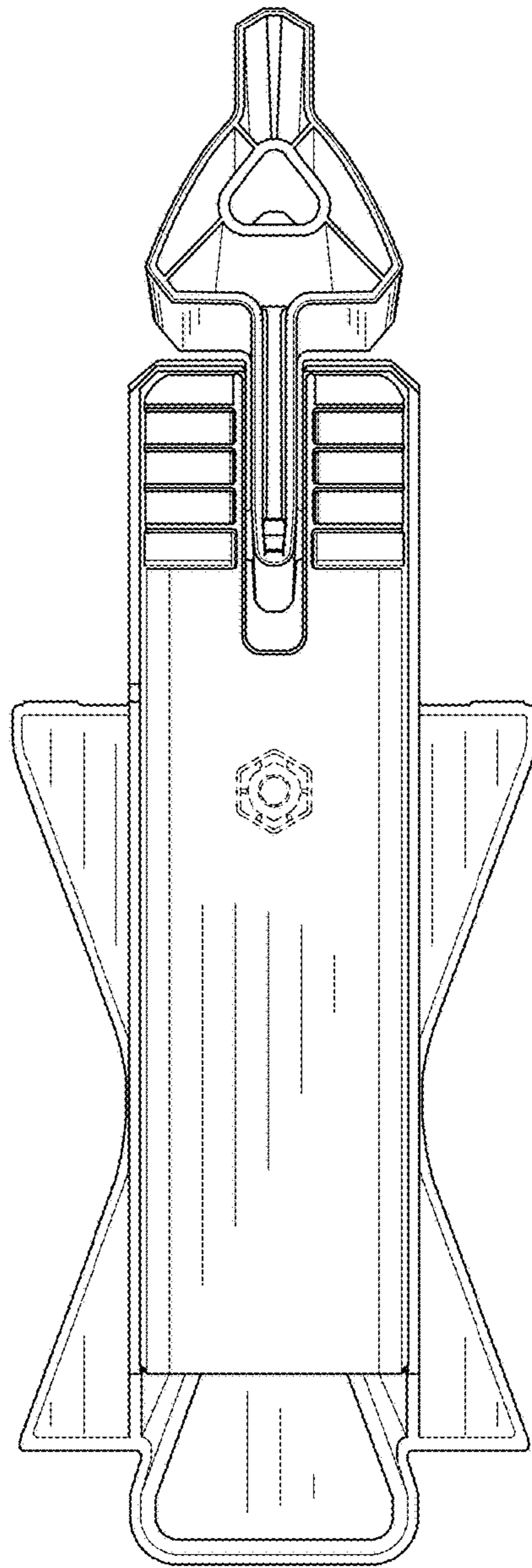


FIG. 3

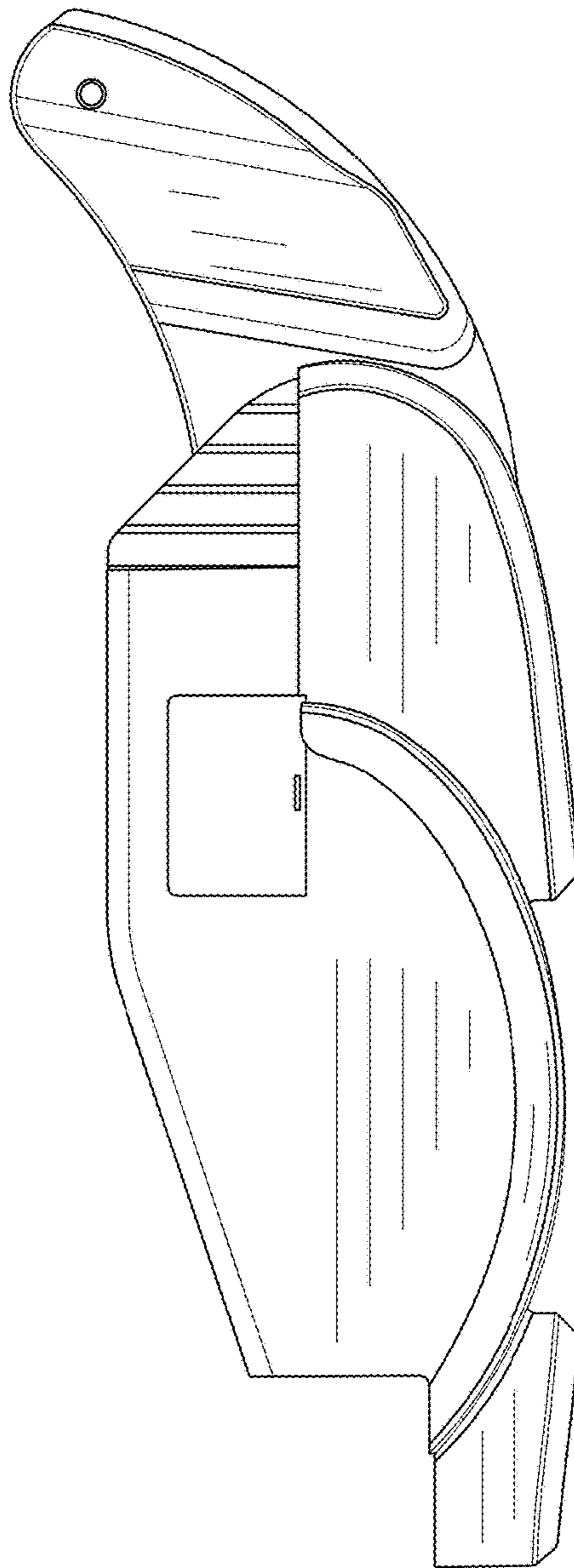


FIG. 4

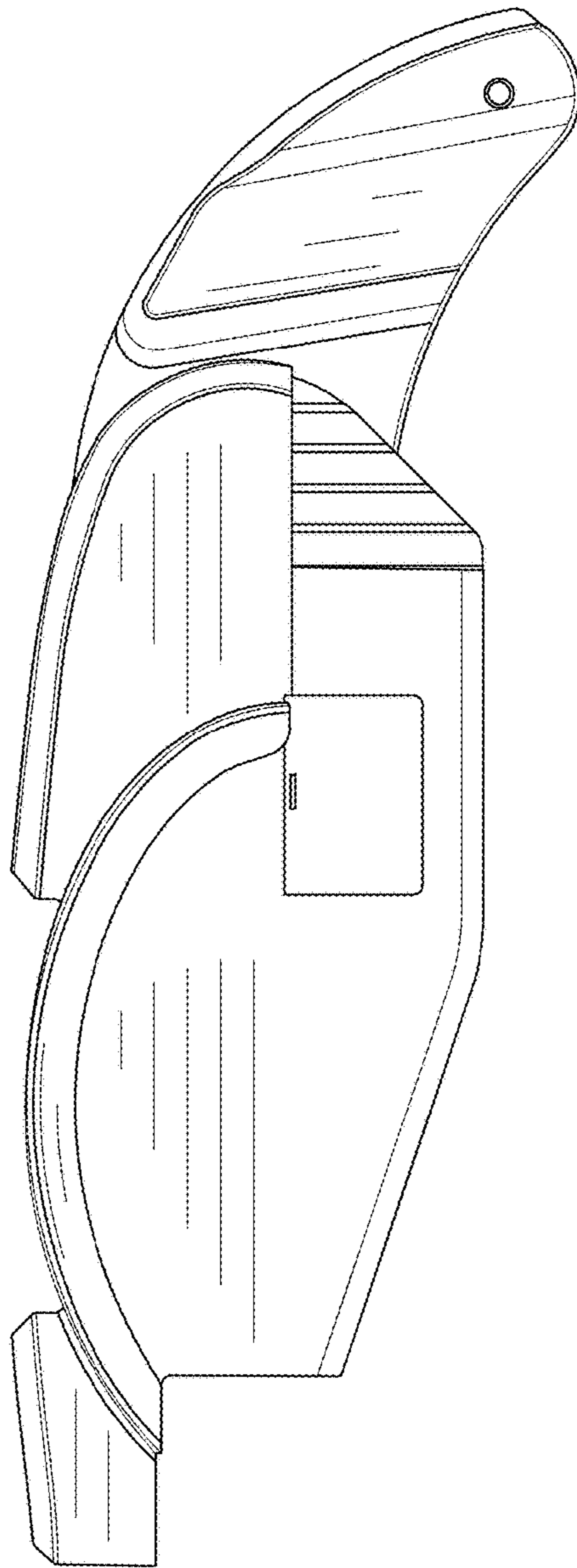


FIG. 5

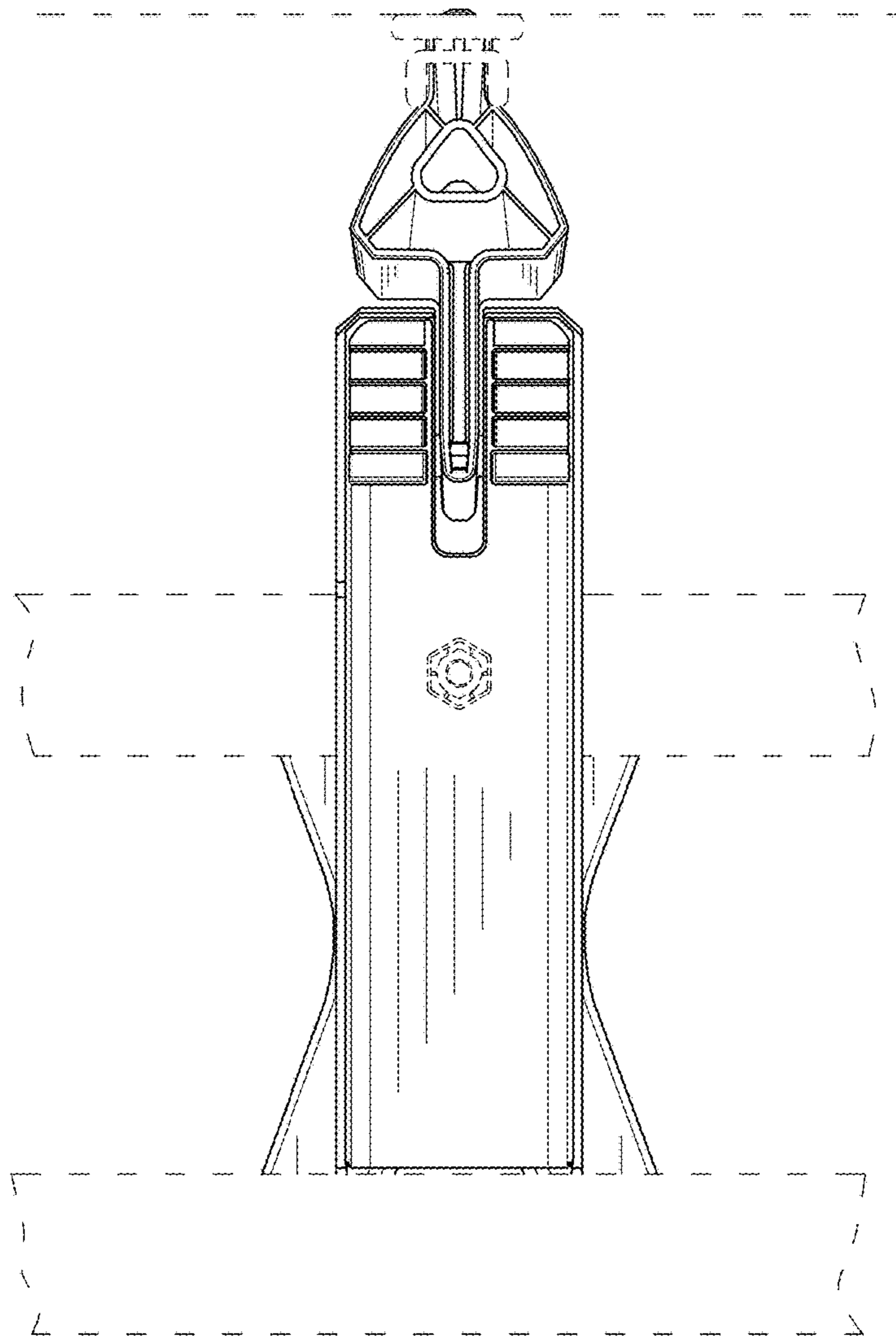


FIG. 6

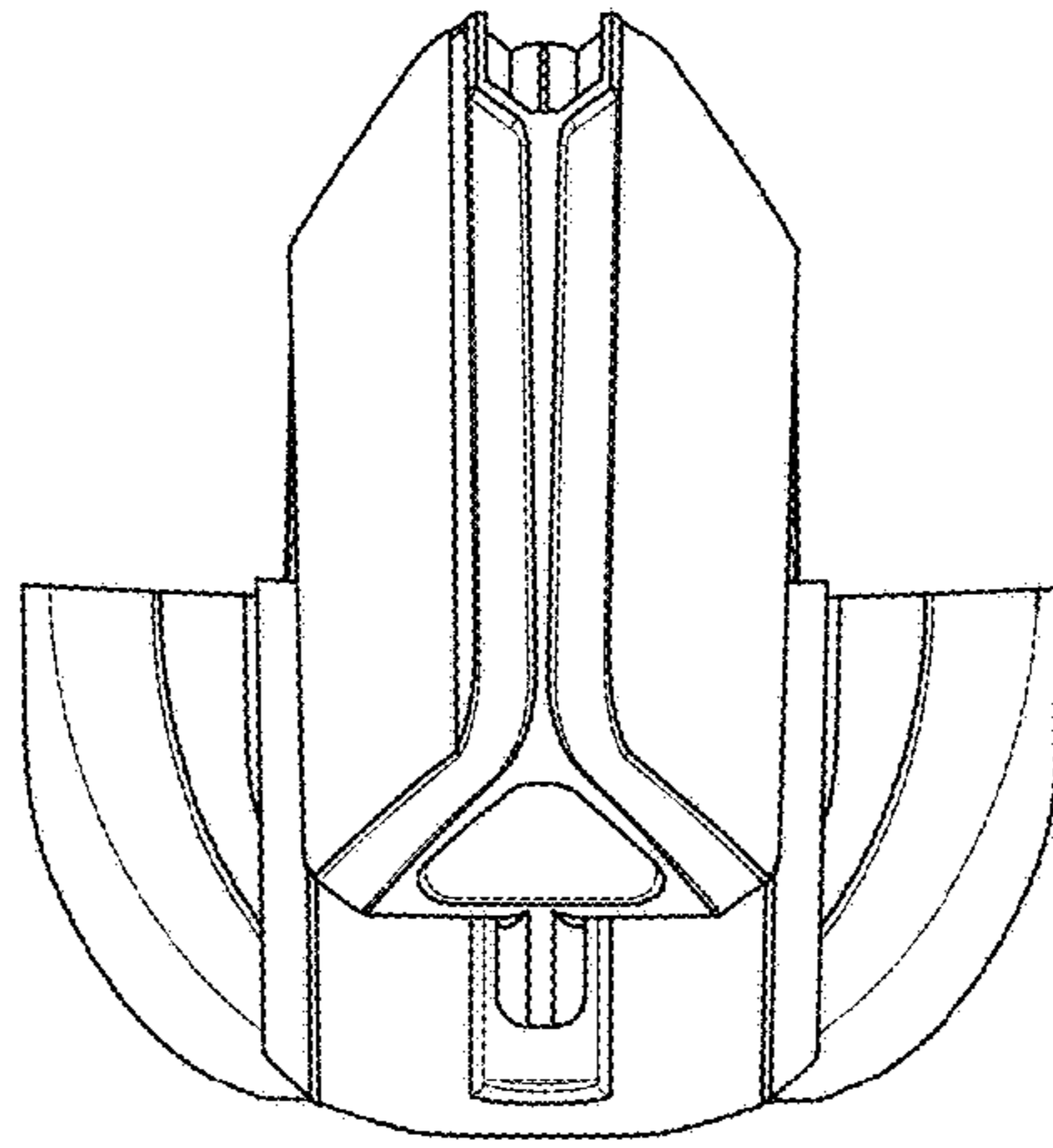


FIG. 7

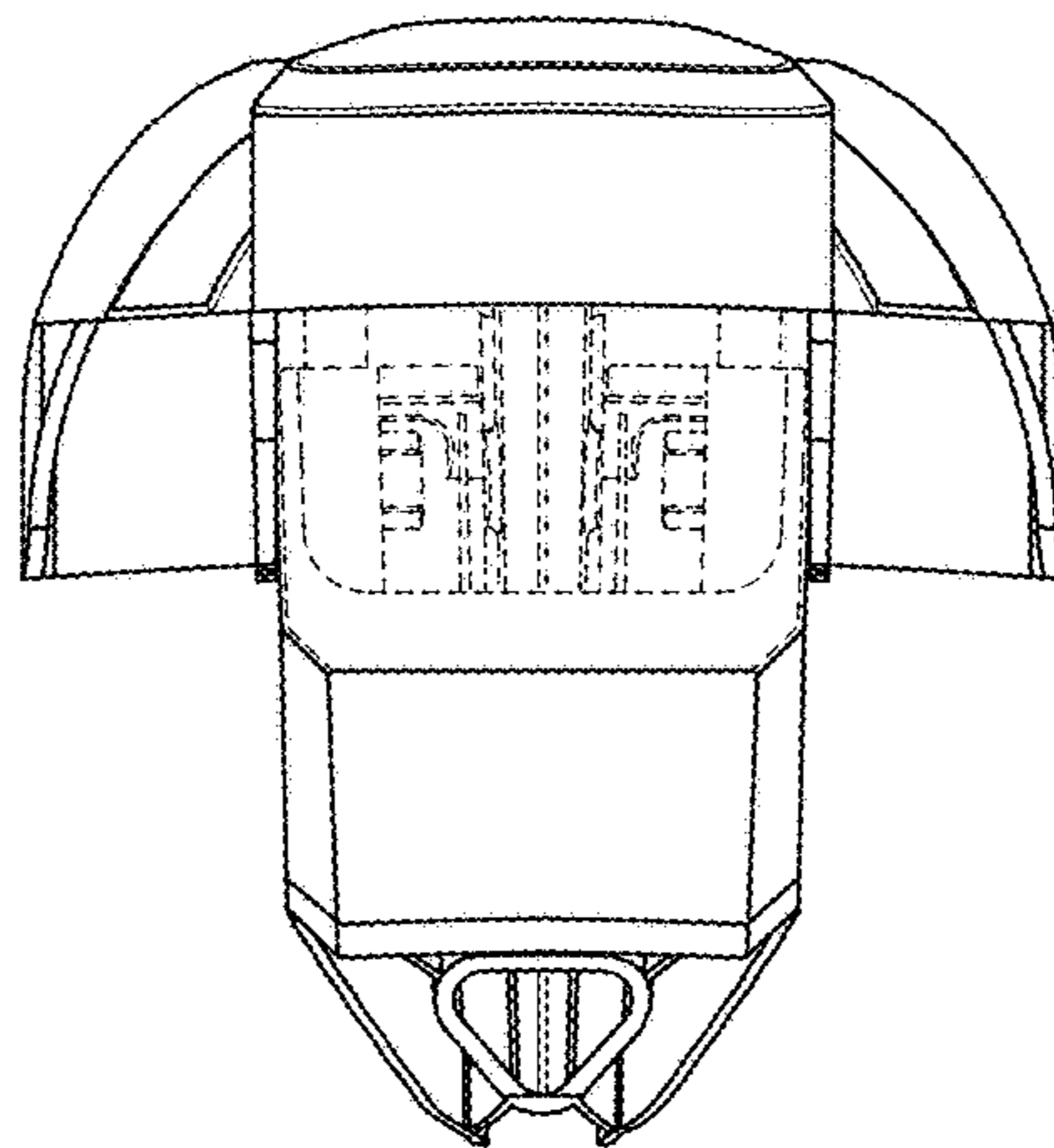


FIG. 8

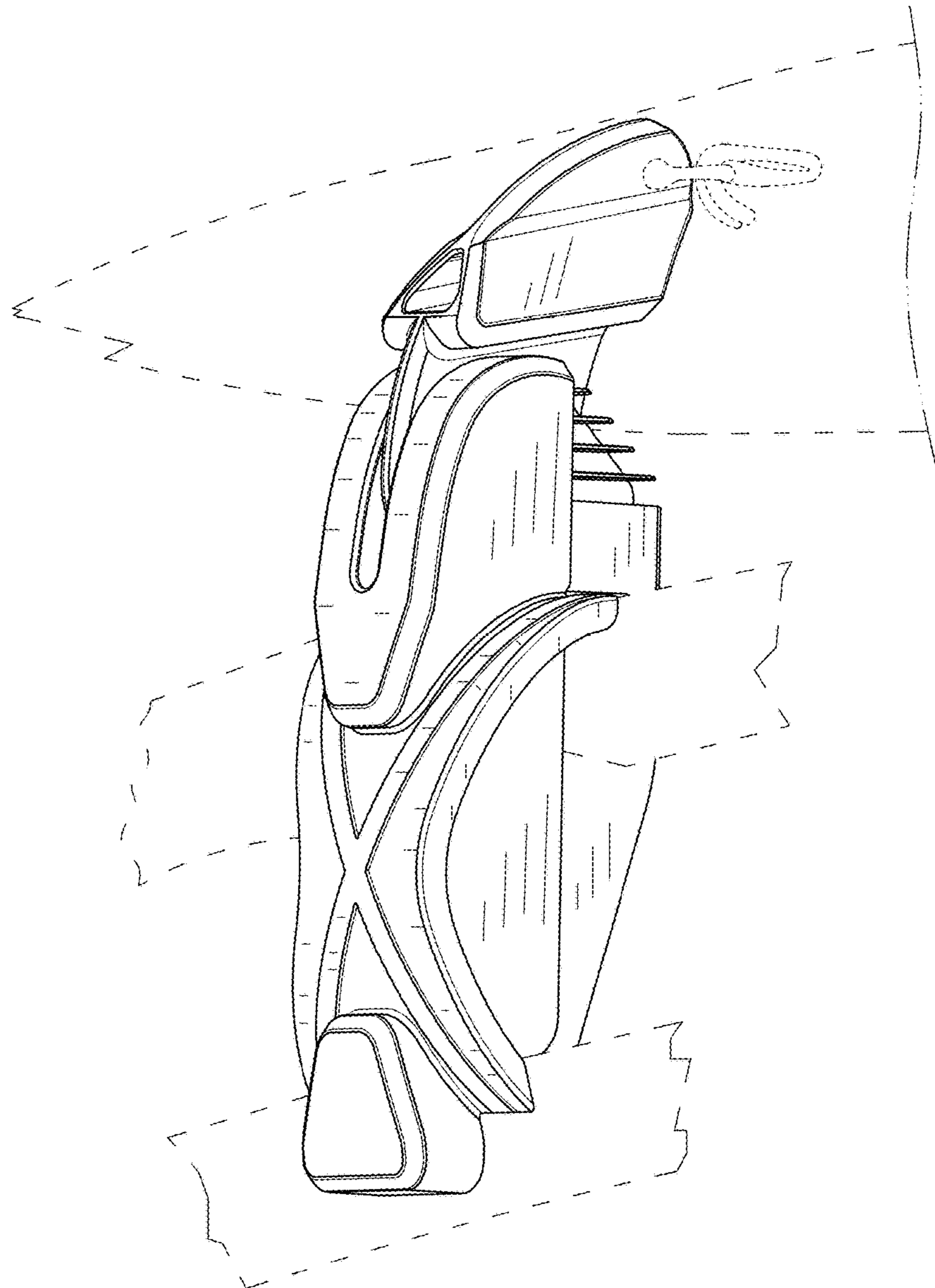


FIG. 9